

Kindorf[®]

Surface Raceway & Lighting Support Systems

T&B Catalog Number:

G 962 2
78599178097
Active

UPC Number:

Status:

Description:

Hanger, Channel, Hanger Size 1/4 Inch and 3/8 Inch Rod, Steel, For use with 1-1/2 Inch or 1-7/8 Inch Deep Channel

Application

For use with 1-1/2 in. or 1-7/8 in. deep channel.

General

Material Steel
Finish Galv-Krom

Dimension Information

Dimension A (inches) 9/16
Dimension B (inches) 2 1/2
Dimension C (inches) 1 37/64

Specifications

3dmodel Available on Website

Packaging

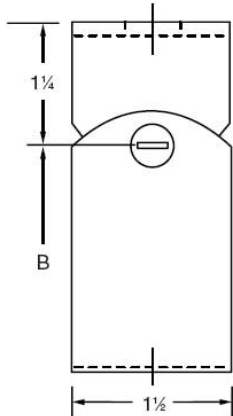
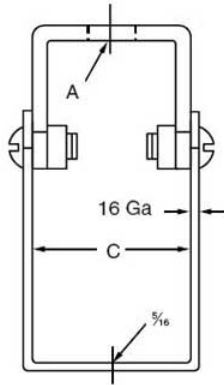
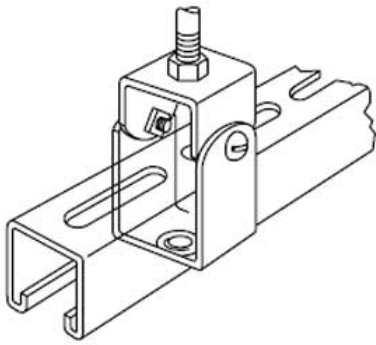
Package in Units 25
T&B Sold in UOM Each
T&B Weight Per UOM 38.25 lbs. per 100

Application Support

Product Overview-Metal Framing Systems Available on Website
Product Overview-Finishes & Materials Available on Website
Product Overview-Surface Raceway & Lighting Support Systems Available on Website

Certifications

RoHS Compliance No



For further technical assistance, please contact us...

Thomas & Betts - USA
8155 T&B Blvd.
Memphis, TN 38125
www.tnb.com

T&B Technical Support
MS 3B-50
8155 T&B Blvd.
Memphis, TN 38125

Hours: 7AM - 6PM CDT
Monday-Friday
Phone: (888) 862-3289
Fax: (901) 252-1321
Email:techsupport@tnb.com