

BALDOR® • RELIANCE

Product Information Packet

VEM3555

2HP,3490RPM,3PH,60HZ,56C,3526M,TEFC,F1,N

Part Detail							
Revision:	L	Status:	PRD/A	Change #:		Proprietary:	No
Type:	AC	Prod. Type:	3526M	Elec. Spec:	35WGM774	CD Diagram:	CD0005
Enclosure:	TEFC	Mfg Plant:		Mech. Spec:	35J302	Layout:	35LYJ302
Frame:	56C	Mounting:	F1	Poles:	02	Created Date:	07-19-2010
Base:	N	Rotation:	R	Insulation:	F	Eff. Date:	10-22-2015
Leads:	9#18					Replaced By:	
Literature:		Elec. Diagram:					

Nameplate NP3441LUA									
CAT.NO.	VEM3555								
SPEC.	35J302M774G1								
HP	2								
VOLTS	230/460								
AMP	5/2.5								
RPM	3490								
FRAME	56C	HZ	60	PH	3				
SER.F.	1.15	CODE	M	DES	B	CL	F		
NEMA-NOM-EFF	85.5	PF	88						
RATING	40C AMB-CONT								
CC		USABLE AT 208V	5.3						
DE	6205	ODE	6203						
ENCL	TEFC	SN							
VPWM INVERTER READY									
CT6-60H(10:1)VT3-60H(20:1)									
	50Hz 2HP 190/380V 5.8/2.9A SF1.0								

AC Induction Motor Performance Data

Record # 52479 - Typical performance - not guaranteed values

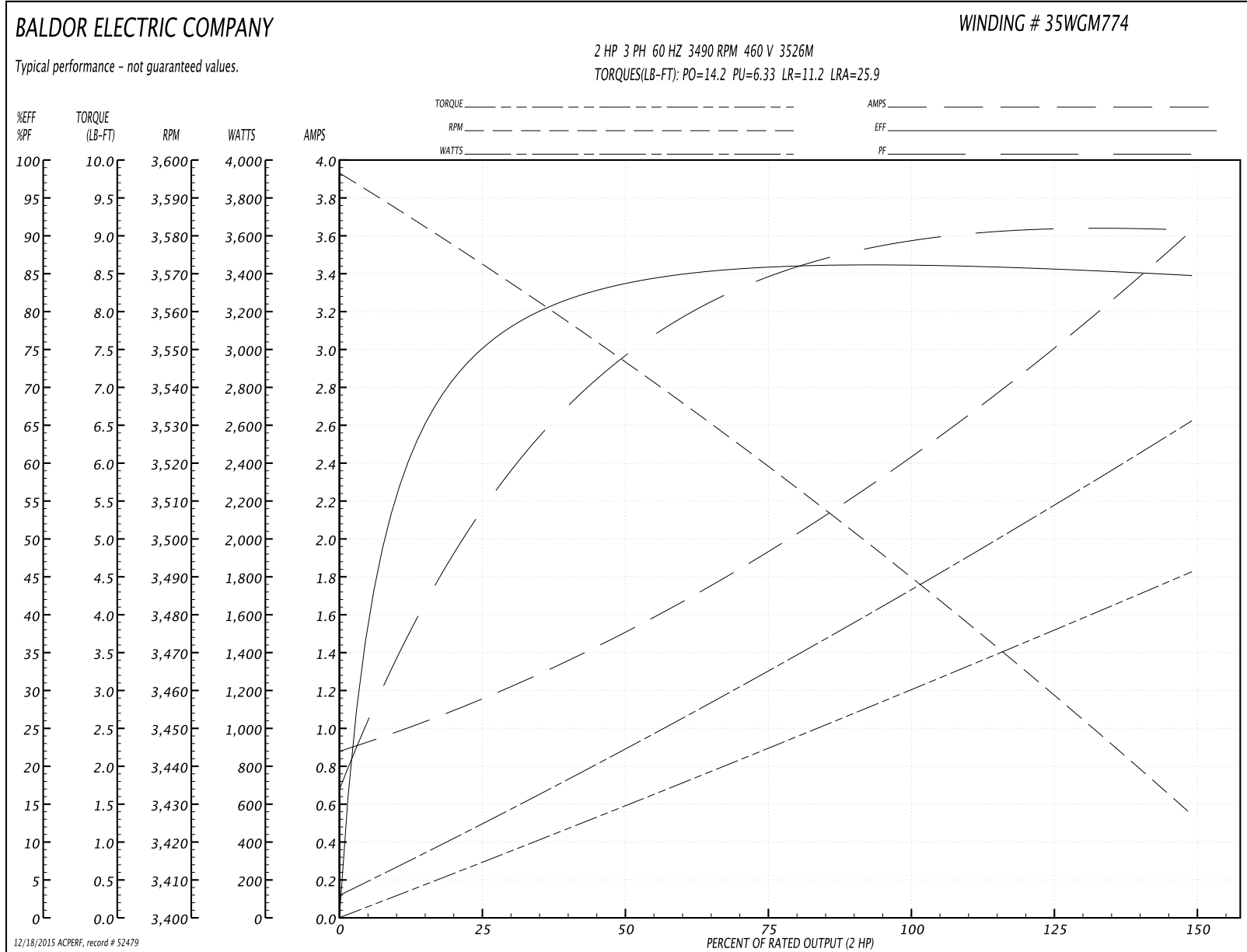
Winding: 35WGM774-R004	Type: 3526M	Enclosure: TEFC
-------------------------------	--------------------	------------------------

Nameplate Data				460 V, 60 Hz: High Voltage Connection	
Rated Output (HP)	2			Full Load Torque	2.98 LB-FT
Volts	230/460			Start Configuration	direct on line
Full Load Amps	5/2.5			Breakdown Torque	14.2 LB-FT
R.P.M.	3490			Pull-up Torque	6.33 LB-FT
Hz	60	Phase	3	Locked-rotor Torque	11.2 LB-FT
NEMA Design Code	B	KVA Code	M	Starting Current	25.9 A
Service Factor (S.F.)	1.15			No-load Current	0.912 A
NEMA Nom. Eff.	85.5	Power Factor	88	Line-line Res. @ 25°C	6.88 Ω
Rating - Duty	40C AMB-CONT			Temp. Rise @ Rated Load	44°C
S.F. Amps				Temp. Rise @ S.F. Load	52°C
				Rotor inertia	0.0719 LB-FT ²

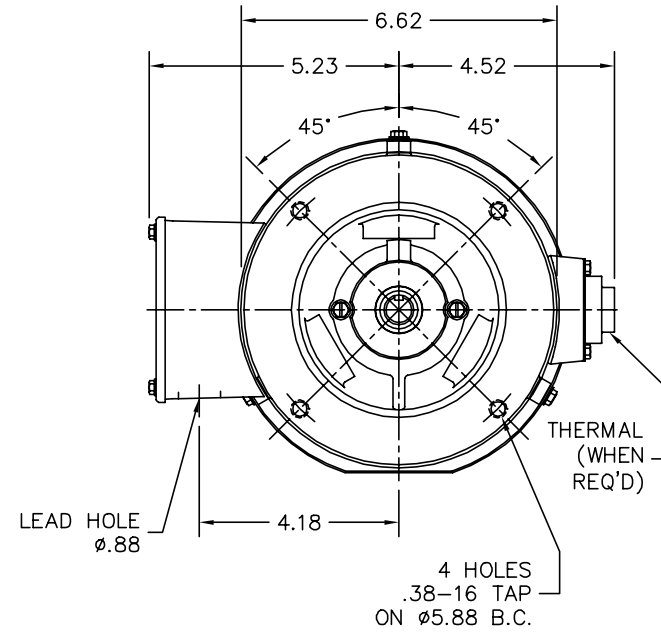
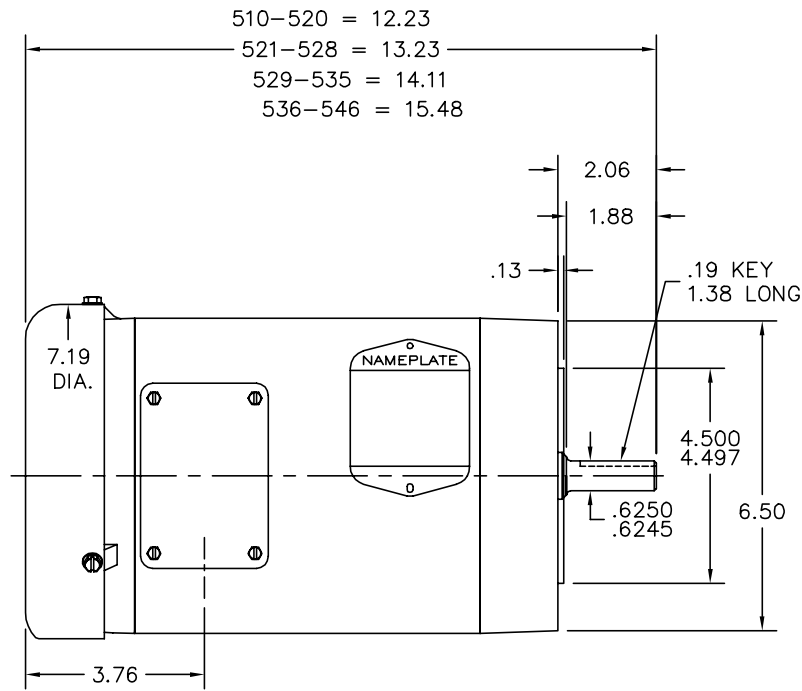
Load Characteristics 460 V, 60 Hz, 2 HP

% of Rated Load	25	50	75	100	125	150	S.F.
Power Factor	55	75	84	88	90	91	89
Efficiency	73.4	83.6	85.8	86.3	85.8	84.7	86
Speed	3572	3547	3520	3492	3461	3426	3473
Line amperes	1.1	1.47	1.93	2.44	3	3.61	2.78

Performance Graph at 460V, 60Hz, 2.0HP Typical performance - Not guaranteed values



35LYJ302



CUSTOMER IS RESPONSIBLE FOR DETERMINING THAT BALDOR'S PRODUCT WILL PERFORM SUITABLY IN THE INTENDED APPLICATION.

REV. DESC: UPDATE DRWG PARTS		
REV. LTR: C	VERSION: 02	TDR: 000000738205
FILE: \AAA\00041\631	REVISED: 02:09:50 03/15/2012	
MTL: -	BY: ENBENBO	

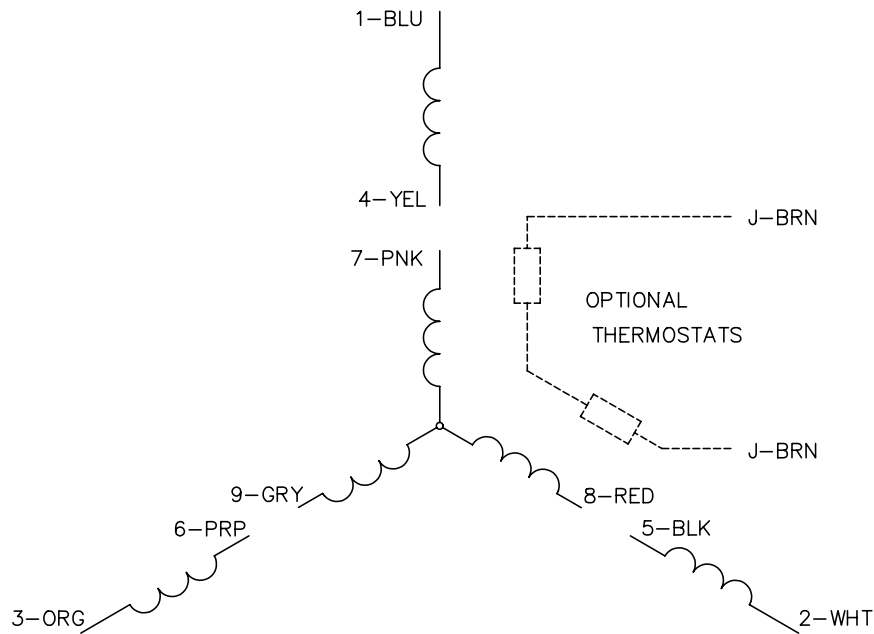
BALDOR

VERT 56C TEFC 35M SUPER-E

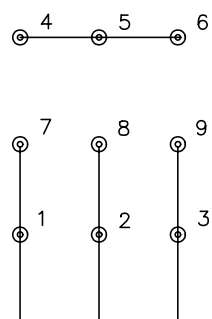
SH 1 of 1

35LYJ302

CD0005

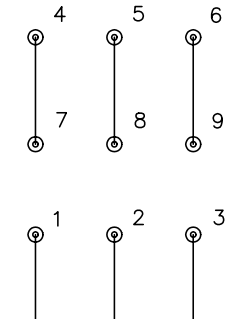


LOW VOLTAGE (2Y)



LINE

HIGH VOLTAGE (1Y)



LINE

NOTES:

1. INTERCHANGE ANY TWO LINE LEADS TO REVERSE ROTATION.
2. OPTIONAL THERMOSTATS ARE PROVIDED WHEN SPECIFIED.
3. ACTUAL NUMBER OF INTERNAL PARALLEL CIRCUITS MAY BE A MULTIPLE OF THOSE SHOWN ABOVE.
4. LEAD COLORS ARE OPTIONAL. LEADS MUST ALWAYS BE NUMBERED AS SHOWN.

REV. DESC: REVISE TO SHOW OPTIONAL COLORS			
REV. LTR: E	BY: JLP	REVISED: 01/19/99 10:15	TDR: 0171435
9000D		FILE: AAA00005140	MDL: -
		MTL: -	

BALDOR ELECTRIC Co.

3PH, DV, 9 LEADS

CD0005