

# SYLVANIA Luminaires

## ValueLED™ Panel

### Application

The SYLVANIA ValueLED Panels are offered in three sizes for illuminating offices, retail or hospitality areas.

### Benefits and Features

- Back-lit, offering even and uniform lighting
- 105 LPW
- Junction box compliant with UL and NEC for through wiring
- 3500K, 4000K, 5000K color temperature
- CRI >80
- Offered in 30 and 40 watts
- Energy savings up to 66%
- DLC Listed to maximize rebate opportunities
- EM ready – compatible with the SYLVANIA field installable emergency battery back-up unit (see Accessories for further details)

### Electrical

- 120-277V<sub>AC</sub>
- Power Factor >90%
- THD <20%
- 0-10V dimmable

### Rated Life

- 50,000 hours (L<sub>70</sub>)

### Warranty

- 5-year

### Certifications and Listings

- cETLus
- RoHS
- FCC
- DLC

Item #
Type
Project
Notes
Date



### Wattage Comparison

Panel Size	Traditional Source	Traditional System Wattage	LED System Wattage	Energy Savings
1x4	2x28W T8	49	30	39%
	2x32W T8	56	30	46%
2x2	3x17W T8	48	30	38%
	2xU31W T8	56	30	46%
	2x28W T8	49	30	39%
2x4	2x32W T8	56	30	46%
	2x32W T8	56	40	29%
	4x28W T8	97	40	59%
	4x32W T8	116	40	66%



## Ordering Guide

PANELF	3A	/	XXX	UNV	D	8	XX	/	XX	G	/	WH
Product Name	Generation		Wattage	Voltage	Dimming	CRI	Color Temp		Dimensions	Mounting		Color / Finish
PANELF =	3A		030 = 30 Watts	UNV =	D = 0-10V	8 = >80	35 = 3500K		14 = 1x4	G = Grid		WH = White
LED Panel			040 = 40 Watts	120-277V	dimming		40 = 4000K		22 = 2x2			
							50 = 5000K		24 = 2x4			

## Ordering Information

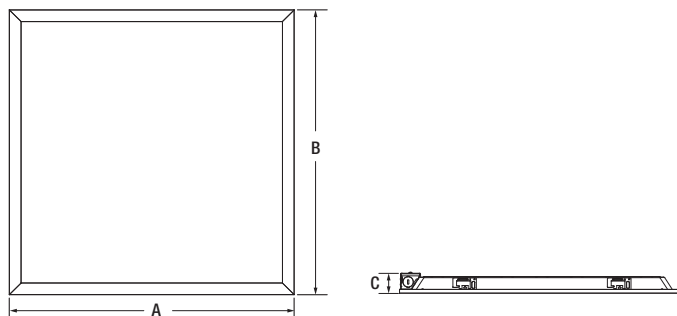
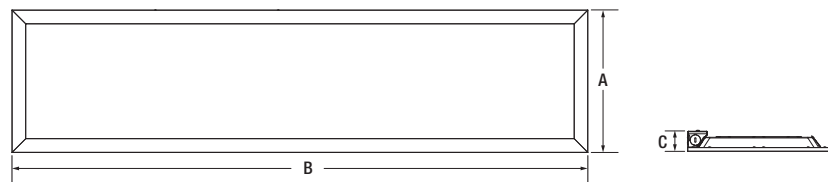
Item Number	Ordering Abbreviation	Power (W)	Input Voltage (V)	Dimming	CRI	Color Temp	Dimensions	Total Fixture Lumens	DLC	LPW
61579	PANELF3A/030UNVD835/14G/WH	30	120-277	0-10V	>80	3500K	1x4	3500	Std	117
61580	PANELF3A/030UNVD840/14G/WH	30	120-277	0-10V	>80	4000K	1x4	3500	Std	117
61581	PANELF3A/030UNVD850/14G/WH	30	120-277	0-10V	>80	5000K	1x4	3500	Std	117
61582	PANELF3A/030UNVD835/22G/WH	30	120-277	0-10V	>80	3500K	2x2	3750	Std	125
61583	PANELF3A/030UNVD840/22G/WH	30	120-277	0-10V	>80	4000K	2x2	3750	Std	125
61584	PANELF3A/030UNVD850/22G/WH	30	120-277	0-10V	>80	5000K	2x2	3700	Std	123
61585	PANELF3A/030UNVD835/24G/WH	30	120-277	0-10V	>80	3500K	2x4	3800	Std	127
61586	PANELF3A/030UNVD840/24G/WH	30	120-277	0-10V	>80	4000K	2x4	3750	Std	125
61587	PANELF3A/030UNVD850/24G/WH	30	120-277	0-10V	>80	5000K	2x4	3650	Std	122
61588	PANELF3A/040UNVD835/24G/WH	40	120-277	0-10V	>80	3500K	2x4	5000	Std	125
61589	PANELF3A/040UNVD840/24G/WH	40	120-277	0-10V	>80	4000K	2x4	4600	Std	115
61590	PANELF3A/040UNVD850/24G/WH	40	120-277	0-10V	>80	5000K	2x4	4600	Std	115

## Photometric Data

			8 ft Mounting Height			10 ft Mounting Height			12 ft Mounting Height		
			On Center Fixture Spacing								
			8'x10'	10'x10'	10'x12'	8'x10'	10'x10'	10'x12'	8'x10'	10'x10'	10'x12'
<b>1'x4'</b>	<b>30W</b>	PANELF3A/030UNVD8XX/14G/WH	41fc/1.6	35fc/1.4	32fc/1.7	41fc/1.6	35fc/1.5	30fc/1.4	41fc/1.7	33fc/1.6	29fc/1.3
<b>2'x2'</b>	<b>30W</b>	PANELF3A/030UNVD8XX/22G/WH	46fc/1.6	40fc/1.3	36fc/1.6	46fc/1.6	39fc/1.4	35fc/1.4	46fc/1.6	38fc/1.5	33fc/1.3
<b>2'x4'</b>	<b>30W</b>	PANELF3A/030UNVD8XX/24G/WH	45fc/1.6	39fc/1.3	35fc/1.6	45fc/1.6	39fc/1.4	34fc/1.4	45fc/1.6	37fc/1.5	32fc/1.3
	<b>40W</b>	PANELF3A/040UNVD8XX/24G/WH	54fc/1.6	47fc/1.3	42fc/1.6	54fc/1.6	46fc/1.4	40fc/1.4	54fc/1.6	44fc/1.5	38fc/1.3

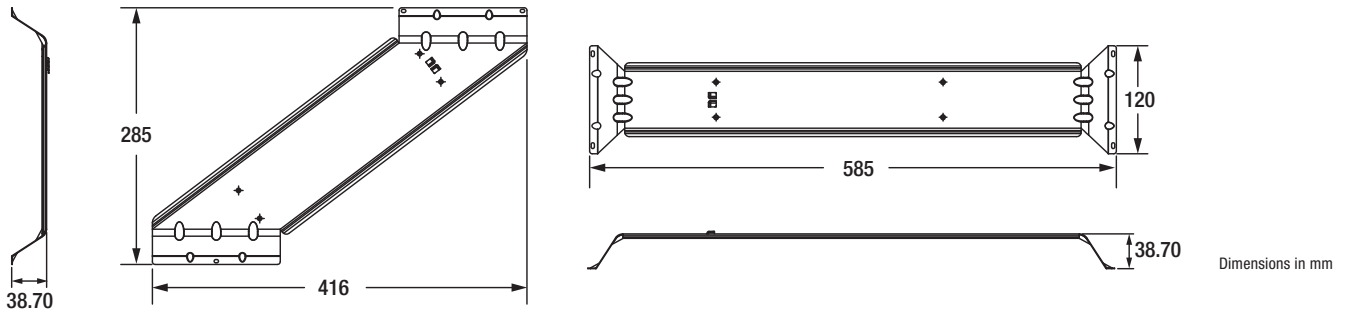
## Physical Information

Lamp Description	(A) Length (in)	(B) Width (in)	(C) Height (in)
1x4	11.8	47.8	1.7
2x2	23.8	23.8	1.7
2x4	23.8	47.8	1.6



## Accessories and Replacement Parts

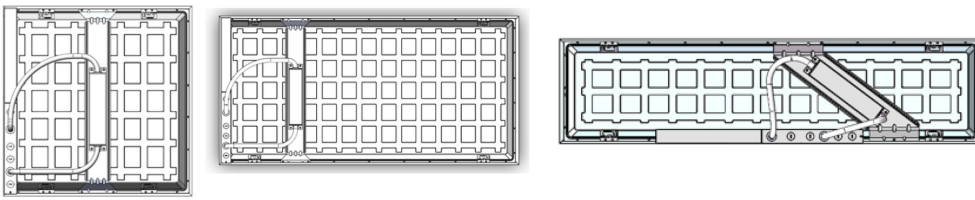
Item Number	Ordering Abbreviation	Item Description
60888	EMBB1A8WDC	Field installable emergency battery back-up unit
61682	ACCPANELF3AEMBB-BRIDGE2	Metal bridge for installing emergency battery back-up unit to 2x2 and 2x4 panels
61683	ACCPANELF3AEMBB-BRIDGE1	Metal bridge for installing emergency battery back-up unit to 1x4 panels



## Options Information

### Emergency Battery Backup

Emergency Battery Backup: Activates when normal power supply to the fixture fails, providing a minimum of 650 lumens (700 nominal lumens) for at least 90 minutes.



## Additional Specifications

- Suitable for use in closets, compliant with NFPA 70, NEC section 410.16 (A)(3) and 410.16 (C)(5)
- cETLus listed to UL1598 standards
- IC and damp rated

LEDVANCE LLC  
 200 Ballardvale Street  
 Wilmington, MA 01887 USA  
 Phone 1-800-LIGHTBULB (1-800-544-4828)  
 www.sylvania.com

SYLVANIA and LEDVANCE are registered trademarks.  
 All other trademarks are those of their respective owners.  
 Licensee of product trademark SYLVANIA in general lighting.  
 Specifications subject to change without notice.



Name: \_\_\_\_\_  
 Email: \_\_\_\_\_  
 Phone: \_\_\_\_\_

