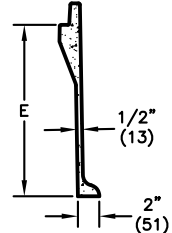
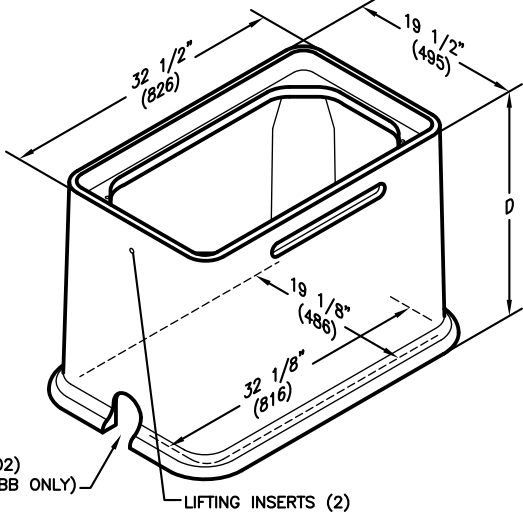
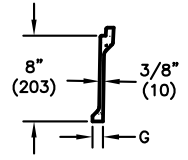
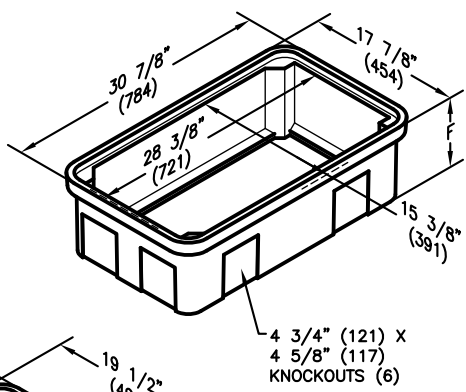
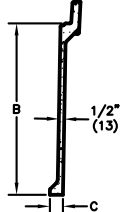
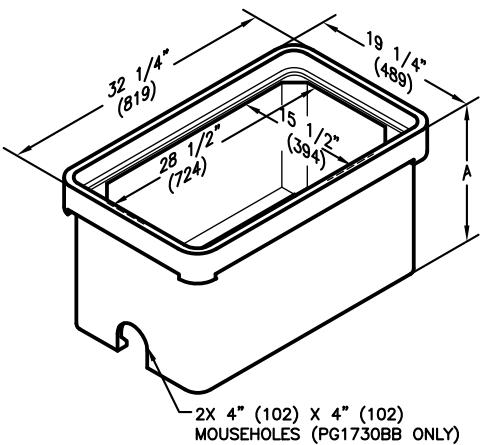
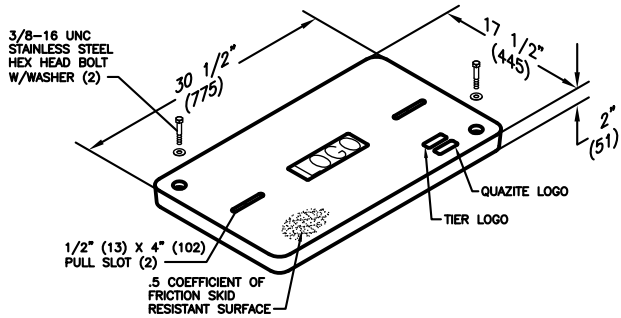


## SPECIFICATIONS/DATA

### 17" x 30" PG Style (Stackable) Assembly and 17" x 30" PD Style Assembly

ENCLOSURE DRAWINGS



## 17" x 30" PG Style (Stackable) Assembly and 17" x 30 PD Style Assembly

# SPECIFICATIONS/DATA

### Covers (Blank unless logo is specified)

| DESCRIPTION                   | PART NO.   | WEIGHT #     | DESIGN/TEST LOAD # | ANSI TIER* |
|-------------------------------|------------|--------------|--------------------|------------|
| W/2 Bolts                     | PG1730CA00 | 52 (23.6 kg) | 8,000 / 12,000     | 8          |
| Gasketed w/2 Bolts            | PG1730CG00 | 52 (23.6 kg) | 8,000 / 12,000     | 8          |
| No Bolts                      | PG1730WA00 | 52 (23.6 kg) | 8,000 / 12,000     | 8          |
| Heavy Duty w/2 Bolts          | PG1730HA00 | 83 (37.6 kg) | 15,000 / 22,500    | 15         |
| Gasketed Heavy Duty w/2 Bolts | PG1730HG00 | 83 (37.6 kg) | 15,000 / 22,500    | 15         |
| Extra Heavy Duty w/2 Bolts    | PG1730HH00 | 83 (37.6 kg) | 22,500 / 33,750    | 22         |

- Covers with meter lids available upon request. See page 12 or page 57 for meter lid cover load rating explanation.
- Gasketed covers and bolt grommets must be used with a gasketed box. Gaskets reduce the inflow of fluids but do not make the enclosure water tight.

### PG Boxes (Stackable with self-aligning, replaceable EZ Nut) \*\*22" - 30" Deep boxes must be used as bottom of any stack.)

| DESCRIPTION                | PART NO.   | WEIGHT #      | DIMENSION A      | DIMENSION B  | DIMENSION C    | DESIGN/TEST LOAD # | ANSI TIER* |
|----------------------------|------------|---------------|------------------|--------------|----------------|--------------------|------------|
| Open Bottom                | PG1730BA12 | 67 (30.4 kg)  | 12" (305 mm)     | 10" (254 mm) | 1 1/4" (32 mm) | 22,500 / 33,750    | 22         |
|                            | PG1730BA18 | 94 (42.6 kg)  | 18" (457 mm)     | 16" (406 mm) | 1 1/4" (32 mm) | 22,500 / 33,750    | 22         |
|                            | PG1730BA22 | 106 (48.1 kg) | 22" (559 mm)     | 20" (508 mm) | 1 1/4" (32 mm) | 22,500 / 33,750    | 22         |
|                            | PG1730BA24 | 122 (55.3 kg) | 24" (610 mm)     | 22" (559 mm) | 1 1/4" (32 mm) | 22,500 / 33,750    | 22         |
|                            | PG1730BA28 | 126 (57.2 kg) | 28" (711 mm)     | 26" (660 mm) | 1/2" (13 mm)   | 22,500 / 33,750    | 22         |
|                            | PG1730BA30 | 144 (65.3 kg) | 30" (762 mm)     | 28" (711 mm) | 1/2" (13 mm)   | 22,500 / 33,750    | 22         |
| Open Bottom w/2 Mouseholes | PG1730BB12 | 65 (29.5 kg)  | 12" (305 mm)     | 10" (254 mm) | 1 1/4" (32 mm) | 22,500 / 33,750    | 22         |
|                            | PG1730BB18 | 92 (41.7 kg)  | 18" (457 mm)     | 16" (406 mm) | 1 1/4" (32 mm) | 22,500 / 33,750    | 22         |
|                            | PG1730BB22 | 104 (47.2 kg) | 22" (559 mm)     | 20" (508 mm) | 1 1/4" (32 mm) | 22,500 / 33,750    | 22         |
|                            | PG1730BB24 | 120 (54.4 kg) | 24" (610 mm)     | 22" (559 mm) | 1 1/4" (32 mm) | 22,500 / 33,750    | 22         |
|                            | PG1730BB28 | 124 (56.2 kg) | 28" (711 mm)     | 26" (660 mm) | 1/2" (13 mm)   | 22,500 / 33,750    | 22         |
|                            | PG1730BB30 | 142 (64.4 kg) | 30" (762 mm)     | 28" (711 mm) | 1/2" (13 mm)   | 22,500 / 33,750    | 22         |
| Open Bottom w/Gasket       | PG1730BG12 | 67 (30.4 kg)  | 12" (305 mm)     | 10" (254 mm) | 1 1/4" (32 mm) | 22,500 / 33,750    | 22         |
|                            | PG1730BG18 | 94 (42.6 kg)  | 18" (457 mm)     | 16" (406 mm) | 1 1/4" (32 mm) | 22,500 / 33,750    | 22         |
|                            | PG1730BG22 | 106 (48.1 kg) | 22" (559 mm)     | 20" (508 mm) | 1 1/4" (32 mm) | 22,500 / 33,750    | 22         |
|                            | PG1730BG24 | 122 (55.3 kg) | 24" (610 mm)     | 22" (559 mm) | 1 1/4" (32 mm) | 22,500 / 33,750    | 22         |
|                            | PG1730BG28 | 126 (57.2 kg) | 28" (711 mm)     | 26" (660 mm) | 1/2" (13 mm)   | 22,500 / 33,750    | 22         |
|                            | PG1730BG30 | 144 (65.3 kg) | 30" (762 mm)     | 28" (711 mm) | 1/2" (13 mm)   | 22,500 / 33,750    | 22         |
| Solid Bottom               | PG1730DA12 | 85 (38.5 kg)  | 12 1/2" (318 mm) | 10" (254 mm) | N/A            | 22,500 / 33,750    | 22         |
|                            | PG1730DA18 | 112 (50.8 kg) | 18 1/2" (470 mm) | 16" (406 mm) | N/A            | 22,500 / 33,750    | 22         |
|                            | PG1730DA22 | 124 (56.2 kg) | 22 1/2" (572 mm) | 20" (508 mm) | N/A            | 22,500 / 33,750    | 22         |
|                            | PG1730DA24 | 137 (62.0 kg) | 24 1/2" (622 mm) | 22" (559 mm) | N/A            | 22,500 / 33,750    | 22         |
|                            | PG1730DA28 | 143 (64.9 kg) | 28 1/2" (724 mm) | 26" (660 mm) | N/A            | 22,500 / 33,750    | 22         |
|                            | PG1730DA30 | 150 (68.0 kg) | 30 1/2" (775 mm) | 28" (711 mm) | N/A            | 22,500 / 33,750    | 22         |

### PD Boxes

| DESCRIPTION                | PART NO.   | WEIGHT #    | DIMENSION D  | DIMENSION E  | DESIGN/TEST LOAD # | ANSI TIER* |
|----------------------------|------------|-------------|--------------|--------------|--------------------|------------|
| Open Bottom                | PD1730BA18 | 129 (59 kg) | 18" (457 mm) | 16" (406 mm) | 22,500 / 33,750    | 22         |
|                            | PD1730BA26 | 166 (75 kg) | 26" (660 mm) | 24" (610 mm) | 22,500 / 33,750    | 22         |
| Open Bottom w/2 Mouseholes | PD1730BB18 | 127 (58 kg) | 18" (457 mm) | 16" (406 mm) | 22,500 / 33,750    | 22         |
|                            | PD1730BB26 | 164 (74 kg) | 26" (660 mm) | 24" (610 mm) | 22,500 / 33,750    | 22         |
| Open Bottom w/Gasket       | PD1730BG18 | 129 (59 kg) | 18" (457 mm) | 16" (406 mm) | 22,500 / 33,750    | 22         |
|                            | PD1730BG26 | 166 (75 kg) | 26" (660 mm) | 24" (610 mm) | 22,500 / 33,750    | 22         |

### Extensions (For use under 12" and 18" boxes only, one per box.)

| DESCRIPTION  | PART NO.   | WEIGHT #     | DIMENSION F     | DIMENSION G | DESIGN/TEST LOAD # | ANSI TIER* |
|--------------|------------|--------------|-----------------|-------------|--------------------|------------|
| Open Bottom  | PG1730EA08 | 36 (16.3 kg) | 8 3/4" (222 mm) | 1" (25 mm)  | 22,500 / 33,750    | 22         |
| Solid Bottom | PG1730RA08 | 55 (24.9 kg) | 9 1/4" (235 mm) | N/A         | 22,500 / 33,750    | 22         |

Dimensions & weights in parentheses are metric equivalent.

\* Loadings comply with ANSI/SCTE 77 (see page 9).

