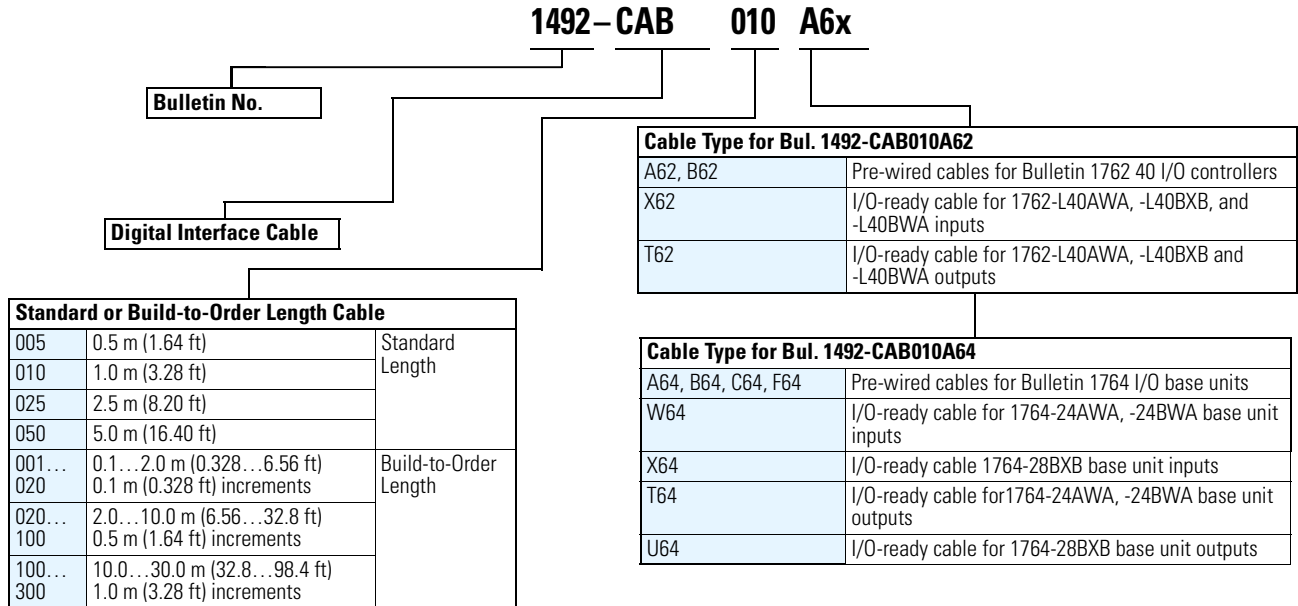


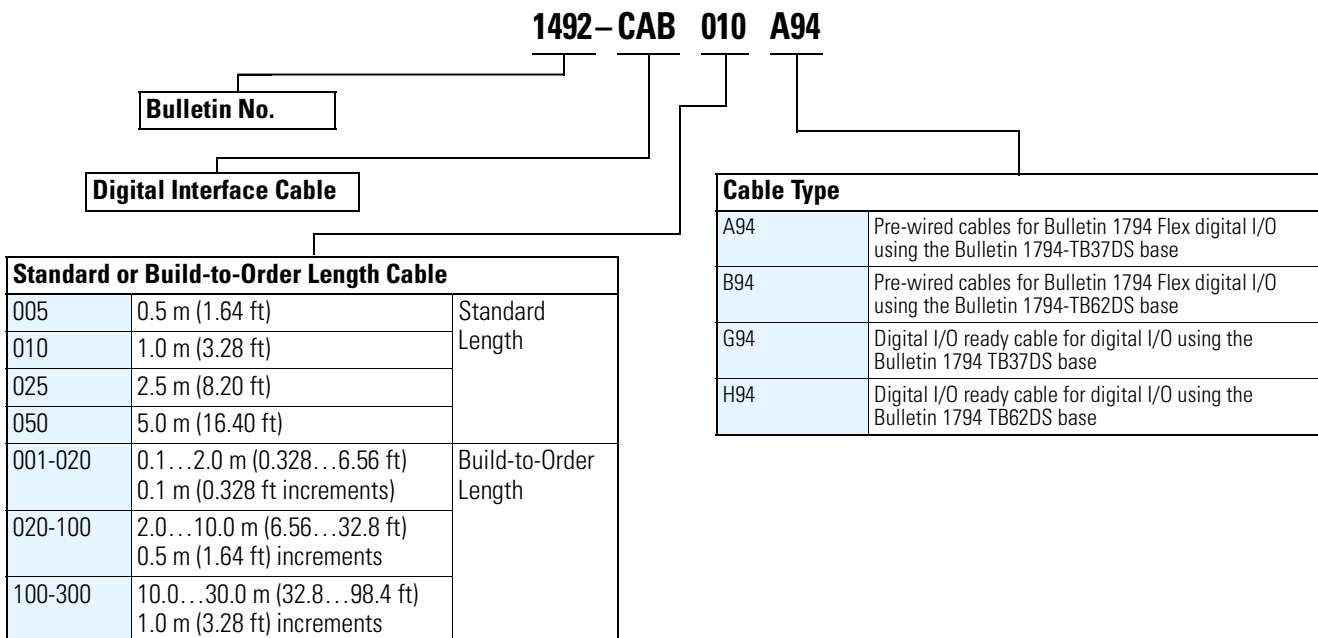
Cable Catalog Number Explanation for μ 1200 and μ 1500 Base I/O to IFM Modules

Important: Use the following tables as a product configurator for pre-wired, and I/O module-ready cables for Bulletin **1764** MicroLogix 1500 and **1762** MicroLogix 1200 40 I/O controller digital I/O cables. All combinations of these fields make valid product catalog numbers. Refer to selection tables for IFM compatibility and ordering.



Cable Catalog Number Explanation for 1794 Flex I/O to IFM Modules

Important: Use the following tables as a product configurator for pre-wired, and I/O module-ready cables for Bulletin **1794 Flex I/O, Cat. Nos. 1794-TB37DS, and 1794-TB62DS** base units. All combinations of these fields make valid product catalog number. Refer to selection tables for IFM compatibility and ordering.



Selection Tables, Continued

Using Bulletin 1762/1764 Selection Tables to Make Valid 1492 Wiring System Module Catalog Numbers

Follow these steps when using the selection tables to make valid catalog numbers:

1. Find the appropriate table based on the catalog numbers of the 1762/1764 controller.
2. Find the column for the 1762/1764 I/O.
3. Follow the column down to determine which Wiring System Modules are compatible with the I/O as indicated by letter and number (e.g. A62) code. If there is no letter/number code, the Wiring System Module is not compatible with the I/O module. NOTE: The letter/number codes designate the compatible 1492 cable for that 1762/1764 I/O and Wiring System Module combination.
4. Select the desired Wiring System Module.
5. Configure the cable catalog number using 1492-CAB^①. See footnote ^① on pages 43 and 44.

MicroLogix 1200 Embedded 40 I/O Controllers to IFM Selection Tables

Bulletin 1762-L40x Compatible 40-Terminal 1492-IFMs

Description of 40-PIN IFM	Cat. No. for Wiring System Module with Fixed Terminal Block	Cat. No. for Wiring System Module with Removable Terminal Block Socket Assembly (order plugs separately)	1762 Embedded I/O Controller					
			-L40AWA Inputs	-L40BWA Inputs	-L40BXB Inputs	-L40AWA Outputs	-L40BWA Outputs	-L40BXB Outputs
Feed-through								
Standard 132V AC/DC Max.	1492-IFM40F ^①	1492-RIFM40F ^{①②}	A62	A62	A62	B62	B62	B62
Extra terminals 132V AC/DC Max.	1492-IFM40F-2 ^①	1492-RIFM40F-2 ^{①②}	A62	A62	A62	B62	B62	B62

^① When using this IFM module with the base I/O of the 1762 controller, the current rating of the outputs must be considered.

^② Compatible Removable Terminal Block (RTB) plug; 1492-RTB20N (screw style terminals) or 1492-RTB20P (push-in style terminals). ORDER PLUGS SEPARATELY.

These **pre-wired cables** have a pre-wired removable terminal block (RTB) on one end to connect to the front of the Bulletin 1762 controller embedded digital I/O and a connector on the other end to plug into a 40-terminal IFM. You must first select the IFM from the preceding selection table.

Pre-Wired Cables for 1762-L40x Embedded I/O Controllers

Cable Cat. No.	Standard Cable Lengths	Build-to-Order Available	No. of Conductors	Mating 1762-L40x Embedded I/O Controller
1492-CAB ^① A62	0.5, 1.0, 2.5, 5.0	Yes	40	-L40AWA Inputs, -L40BWA Inputs, -L40BXB Inputs
1492-CAB ^① B62	0.5, 1.0, 2.5, 5.0	Yes	40	-L40AWA Outputs, -L40BWA Outputs, -L40BXB Outputs

^① Pre-wired cables are available in standard lengths of 0.5 m, 1.0 m, 2.5 m, and 5.0 m. To order, insert the code for the desired cable length into the catalog number (005 = 0.5 m, 010 = 1.0 m, 025 = 2.5 m, and 050 = 5.0 m). Example: **Catalog Number 1492-CAB005A62** is for a 0.5 m cable that could be used to connect a Catalog Number 1492-IFM40F to a Cat. No. 1762-L40AWA Input.

Selection Tables, Continued

The **I/O module-ready cables** have a pre-wired RTB on one end to plug onto the front of the Bulletin 1762 controller embedded I/O and 25 or 40 individually colored conductors on the other end. These cables provide the convenience of pre-wired connections at the controller embedded I/O end, while still allowing the flexibility to field-wire to standard terminal blocks of your choice.

I/O Ready Cables for 1762-L40x Embedded I/O Controllers

Cable Cat. No.	Standard Cable Lengths	Build-to-Order Available	No. of Conductors ^①	Mating 1762-L40x Embedded I/O Controller
1492-CAB ^② T62	1.0, 2.5, 5.0 m	Yes	25	-L40AWA Outputs, -L40BWA Outputs, -L40BxB Outputs
1492-CAB ^② X62	1.0, 2.5, 5.0 m	Yes	40	-L40AWA Inputs, -L40BWA Inputs, -L40BxB Inputs

^① I/O ready cables are available in standard lengths or 1.0 m, 2.5 m, and 5.0 m. To order, insert the code for the desired cable length into the catalog number (010 = 1.0 m, 025 = 2.5 m, and 050 = 5.0 m) Example: **Catalog Number 1492-CABLE050RTBR** is for a 5.0 m cable with a pre-wired Catalog Number 1746-RT25R RTB on one end.

^② 1492-CAB^①T62 uses 18AWG wire and 1492-CAB^①X62 uses 22AWG wire.

MicroLogix 1500 Base Unit I/O to IFM Selection Tables

Bulletin 1764, Base Units I/O and Compatible 20-Terminal 1492-IFMs

Description of 20-PIN IFM	Catalog Number for Wiring System Module with Fixed Terminal Block	Catalog Number for Wiring System Module with Removable Terminal Block Socket Assembly (order plugs separately)	1764 Base Unit I/O						
			AWA Inputs	BWA Inputs	BXB Inputs	AWA Outputs	BWA Outputs	BXB Outputs	
Feed-through									
Standard 264Vac/dc Max.	1492-IFM20F ^①	1492-RIFM20F ^{①②}	A64	A64	B64	C64	C64	F64	F64
Narrow standard 132Vac/dc Max.	1492-IFM20FN ^①	1492-RIFM20FN ^{①③}	A64	A64	B64	C64	C64	F64	F64
With Extra terminals (2 per I/O) 264Vac/dc Max.	1492-IFM20F-2 ^①	1492-RIFM20F02 ^{①②}	A64	A64	B64	C64	C64	F64	F64

^① When using this IFM module with the base I/O of the 1762 controller, the current rating of the outputs must be considered. Refer to appendix A

^② Compatible Removable Terminal Block (RTB) 1492-RTB20N (screw style terminal) or 1492-RTB20P (push-in style terminal, available March 2006). ORDER PLUGS SEPARATELY.

^③ Compatible Removable Terminal Block (RTB) plug; 1492-RTB10N (screw style terminals) or 1492-RTB10P (push-in style terminals, available March 2006). ORDER PLUGS SEPARATELY.

These **pre-wired cables** have a pre-wired removable terminal block (RTB) on one end to connect to the front of the Bulletin 1764 base unit digital I/O and a connector on the other end to plug into a 20-terminal IFM. You must first select the IFM from the preceding selection table.

Pre-Wired Cables for 1764 Base I/O

I/O Ready Cable Cat. No.	Standard Cable Lengths	Build-to-Order Available	No. of Conductors	Mating 1764 Base Unit I/O
1492-CAB ^① A64	0.5, 1.0, 2.5, 5.0	Yes	20	AWA Inputs, BWA Inputs
1492-CAB ^① B64	0.5, 1.0, 2.5, 5.0	Yes	20	BXB Inputs
1492-CAB ^① C64	0.5, 1.0, 2.5, 5.0	Yes	20	AWA Outputs, BWA Outputs
1492-CAB ^① F64	0.5, 1.0, 2.5, 5.0	Yes	20	BXB Output

^① Pre-wired cables are available in standard lengths of 0.5 m, 1.0 m, 2.5 m, and 5.0 m. To order, insert the code for the desired cable length into the catalog number (005 = 0.5 m, 010 = 1.0 m, 025 = 2.5 m, and 050 = 5.0 m). Example: **Catalog Number 1492-CAB005A64** is for a 0.5 m cable that could be used to connect a Catalog Number 1492-IFM20F to a Cat. No. 1764-AWA Input.

Pre-Wired Cables for Bulletin 1769 Digital I/O Modules (Continued)

Cable Cat. No.	Standard Cable Lengths	Build-to-Order Available	No. of Conductors	Mating 1769 I/O Module Catalog Number
1492-CAB ¹ L69	0.5, 1.0, 2.5, 5.0 m	Yes	20	1769-OB8
1492-CAB ¹ M69	0.5, 1.0, 2.5, 5.0 m	Yes	20	1769-OA16, -OW16 (IFM modules with multiple commons)
1492-CABLE ¹ H	0.5, 1.0, 2.5, 5.0 m	Yes	40	1769-IQ32T, -OB32T, -OV32T

- ❶ Cables are available in standard lengths of 0.5 m, 1.0 m, 2.5 m, and 5.0 m. To order, insert the code for the desired cable length into the catalog number (005 = 0.5 m, 010 = 1.0 m, 025 = 2.5 m, and 050 = 5.0 m). Example: **Catalog Number 1492-CAB005E69** is for a 0.5 m cable that can be used to connect a Catalog Number 1492-IFM20D24N IFM to a Catalog Number 1769-OB16 I/O module.

The **I/O module-ready cables** have a pre-wired RTB on one end to plug onto the front of a Bulletin 1769 I/O module and 20 individually colored #18 AWG conductors on the other end. These cables provide the convenience of pre-wired connections at the I/O module end, while still allowing the flexibility to field-wire to standard terminal blocks of your choice.

I/O Module-Ready Cables for Bulletin 1769 Digital I/O Modules

Cable Catalog Number	Standard Cable Lengths	Build-to-Order Available	No. of Conductors	Mating 1769 I/O Module Catalog Number
1492-CAB ³ RTN10	1.0, 2.5, 5.0 m	Yes	12	1769-OA8, -OW8
1492-CAB ³ RTN18	1.0, 2.5, 5.0 m	Yes	20	1769-IA8I, -IA16, -IQ16, -IQ16F, -OA16, -OB16, -OV16, -OW16, -OW8I, -IM12, -OB8
1492-CAB ³ RTN32I	1.0, 2.5, 5.0 m	Yes	40 ²	1769-IQ32
1492-CAB ³ RTN32O	1.0, 2.5, 5.0 m	Yes	40 ²	1769-OB32
1492-CABLE ³ N3	1.0, 2.5, 5.0 m	Yes	40 ²	1769-IQ32T, -OB32T, -OV32T

- ❷ 1492-CAB³RTN32I and 1492-CAB³RTN32O cables use 22 AWG wire.
- ❸ Cables are available in standard lengths of 1.0 m, 2.5 m, and 5.0 m. To order, insert the code for the desired cable length into the catalog number (010 = 1.0 m, 025 = 2.5 m, and 050 = 5.0 m). Example: **Catalog Number 1492-CAB050RTN10** is for a 5.0 m cable with a wired Catalog Number 1746-RTBN10 on one end.
- ❹ Discrete I/O ready cables should not be used with PLC analog I/O modules as a cable shield and drain wires are not provided.

Pre-Wired Cable and IFMs for Bulletin 1794 Digital 8-Point and 16-Point I/O Modules (Continued)

Description of 20-PIN IFM and Flex Distributed I/O	Cat. No. for Wiring System Module with Fixed Terminal Block	Cat. No. for Wiring System Module with Removable Terminal Block Socket Assembly (order plugs separately)	Cat. No. for Compatible Screw Style (N) and Push-in Style (P) RTB Plugs ①	Flex Digital I/O Module — Uses D-Shell Base 1794-TB37DS										
				IB16	IB8	IB10XOB6	IV16	OB16	OB16P	OB8	OB8EP	OV16	OV16P	OW8
Relay Master (LED Indicating) ②③														
20-pin master with eight (8) 24V DC relays	1492-XIM2024-8R	—	—	—	—	—	—	—	A94	A94	A94	—	—	—
20-pin master with eight (8) 120V AC relays	1492-XIM20120-8R	—	—	—	—	—	—	—	—	—	—	—	—	—
20-pin master with sixteen (16) 120V AC relays	1492-XIM20120-16R	—	—	—	—	—	—	—	—	—	—	—	—	—
20-pin master with sixteen (16) 120V AC relays with fusing	1492-XIM20120-16RF	—	—	—	—	—	—	—	—	—	—	—	—	—
20-pin master relay with sixteen (16) 24V DC relays	1492-XIM2024-16R	—	—	—	—	—	—	A94	A94	—	—	—	—	—
20-pin master with sixteen (16) 24V DC relays with fusing	1492-XIM2024-16RF	—	—	—	—	—	—	A94	A94	—	—	—	—	—
Relay Expander (LED Indicating) ②③														
Expander with eight (8) 24V DC relays	1492-XIM24-8R	1492-RXIM24-8R	1492-RTB12④	—	—	—	—	—	⑤	⑤	—	—	—	—
Expander with eight (8) 120V AC relays	1492-XIM120-8R	—	—	—	—	—	—	—	—	—	—	—	—	—
Fusible Expander														
8-channel expander with 24V DC blown fuse indicators	1492-XIMF-F24-2	—	—	—	—	—	—	—	⑤	⑤	—	—	—	—
8-channel expander with 120V AC blown fuse indicators	1492-XIMF-F120-2	—	—	—	—	—	—	—	—	—	—	—	—	—
Feed-through Expander														
Expander with eight (8) feed-through channels	1492-XIMF-2	—	—	—	—	—	—	—	⑤	⑤	—	—	—	—

- ① Order plugs separately (two plugs per catalog number). Plugs are available in screw style and push in style terminal types. To order, replace the ④ in the catalog number with the code for the desired terminal style. The code for screw style is N and the code for push in style is P. The number (i.e., 20) in the cat. no. indicates the number of connections/pole.
- ② Can have up to one relay expansion module depending upon relay master used (total 16 points or less). Extender cable is provided.
- ③ Cables are available in standard lengths of 0.5 m 1.0 m, 2.5 m, and 5.0 m. To order, insert the code for the desired cable length into the catalog number 005 = 0.5 m (010 = 1.0 m, 025 = 2.5 m, and 050 = 5.0 m), and insert the letter in the box. Example: **Catalog Number 1492-CAB010A94** is for a 1.0 m cable, and the suffix A94.
- ④ This IFM is not recommended for use with PLC I/O modules that have an off-state leakage current exceeding 0.5 mA. Use a 1492-IFM20D120N or 1492-IFM20D120A-2 for inputs. Use 1492-IFM20D120-2 for outputs.
- ⑤ The voltage rating is relay control/coil voltage. For Relay Contact Ratings, refer to page 192.
- ⑥ The LED indicates the PLC output status.

Pre-Wired Cables and IFMs for Bulletin 1794 Digital 16-Point Isolated and 32-Point I/O Modules

Description of 40-PIN IFM	Cat. No. for Wiring System Module with Fixed Terminal Block	Cat. No. for Wiring System Module with Removable Terminal Block Socket Assembly (order plugs separately)	Cat. No. for Compatible Screw Style (N) and Push-in Style (P) RTB Plug ①	Flex Digital I/O Module — Uses D-Shell Base 1794-TB62DS...			
				IB16D	IB16XOB16P	IB32	OB32P
Feed-through							
Standard 132V AC/DC Max.	1492-IFM40F	1492-RIFM40F	1492-RTB20④	B94	B94	B94	B94
Extra terminals (2 per I/O) 132V AC/DC Max.	1492-IFM40F-2	1492-RIFM40F-2	1492-RTB20④	B94	B94	B94	B94
3-wire sensor type input devices 60V AC/DC Max.	1492-IFM40F-3	—	—	—	—	—	—
LED Indicating							
Standard with 24V AC/DC LEDs	1492-IFM40D24	1492-RIFM40D24	1492-RTB20④	—	—	B94	B94
24V AC/DC LEDs and extra terminals for outputs	1492-IFM40D24-2	—	—	—	—	—	B94
24V AC/DC LEDs and extra terminals for inputs	1492-IFM40D24A-2	1492-RIFM40D24A-2	1492-RTB20④	—	—	—	—
120V AC LEDs and extra terminals for outputs	1492-IFM40D120-2	—	—	—	—	—	—
120V AC LEDs and extra terminals for inputs	1492-IFM40D120A-2	—	—	—	—	—	—
3-wire sensor with 24V AC/DC LEDs	1492-IFM40D24-3	—	—	—	—	—	—
16 Individually isolated with 24/48V AC/DC LEDs and 4 terminals/output	1492-IFM40DS24-4	—	—	—	—	—	—
16 Individually isolated with 24V AC/DC LEDs and 4 terminals/input	1492-IFM40DS24A-4	—	—	—	—	—	—
16 Individually isolated with 120V AC LEDs and 4 terminals/output	1492-IFM40DS120-4	—	—	—	—	—	—
16 Individually isolated with 120V AC LEDs and 4 terminals/input	1492-IFM40DS120A-4	—	—	—	—	—	—

Pre-Wired Cables and IFMs for Bulletin 1794 Digital 16-Point Isolated and 32-Point I/O Modules (Continued)Ⓢ

Description of 40-PIN IFM	Cat. No. for Wiring System Module with Fixed Terminal Block	Cat. No. for Wiring System Module with Removable Terminal Block Socket Assembly (order plugs separately)	Cat. No. for Compatible Screw Style (N) and Push-in Style (P) RTB Plug Ⓢ	Flex Digital I/O Module — Uses D-Shell Base 1794-TB62DS...			
				IB16D	IB16XOB16P	IB32	OB32P
16 Individually isolated with 240V AC LEDs and 4 terminals/input	1492-IFM40DS240A-4	—	—	—	—	—	—
Fusible							
120V AC/DC with extra terminals for outputs	1492-IFM40F-F-2	—	—	—	—	—	B94
Extra terminals with 24V AC/DC blown fuse indicators for outputs	1492-IFM40F-F24-2	1492-RIFM40F-F24-2	1492-RTB20Ⓢ	—	—	—	B94
Extra terminals with 120V AC/DC blown fuse indicators for outputs	1492-IFM40F-F120-2	—	—	—	—	—	—
16 Individually isolated with extra terminals for 120V AC DC outputs	1492-IFM40F-FS-2	—	—	—	—	—	—
Individually isolated with extra terminals and 24V AC/DC blown fuse indicators for outputs	1492-IFM40F-FS24-2	—	—	—	—	—	—
16 Individually isolated with 24V AC/DC blown fuse indicators and 4 terminals/output	1492-IFM40F-FS24-4	—	—	—	—	—	—
16 Individually isolated 240V AC/DC with 4 terminals/output	1492-IFM40F-FS-4	—	—	—	—	—	—
16 Individually isolated with extra terminals and 120V AC/DC blown fuse indicators for outputs	1492-IFM40F-FS120-2	1492-RIFM40F-FS120-2	1492-RTB20Ⓢ	—	—	—	—
16 Individually isolated with 120V AC/DC blown fuse indicators and 4 terminals/output	1492-IFM40F-FS120-4	1492-RIFM40F-FS120-4	1492-RTB17Ⓢ	—	—	—	—
16 Individually isolated with 240V AC/DC blown fuse indicators and 4 terminals/output	1492-IFM40F-FS240-4	—	—	—	—	—	—
16 Individually isolated with 24V AC/DC blown fuse indicators and 4 terminals/input	1492-IFM40F-FS24A-4	—	—	—	—	—	—
16 Individually isolated with 120V AC/DC 4 terminals/input	1492-IFM40F-FSA-4	—	—	—	—	—	—
16 Individually isolated with 120V AC/DC blown fuse indicators and 4 terminals/input	1492-IFM40F-FS120A-4	1492-RIFM40F-FS120A-4	1492-RTB17Ⓢ	—	—	—	—
16 Individually isolated with 240 VAC/DC blown fuse indicators and 4 terminals/input	1492-IFM40F-FS240A-4	—	—	—	—	—	—
Relay Master (LED Indicating) ⓈⓉ							
40-pin master with eight (8) 24V DC relays	1492-XIM4024-8R	—	—	—	—	—	B94
40-pin master with sixteen (16) 24V DC relays	1492-XIM4024-16R	1492-RXIM4024-16R	1492-RTB14Ⓢ	—	—	—	B94
40-pin master with sixteen (16) 24V DC relays with fusing	1492-XIM4024-16RF	—	—	—	—	—	B94
Relay Expander (LED Indicating) ⓈⓉ							
Expander with eight (8) 24V DC relays	1492-XIM24-8R	1492-RXIM24-8R	1492-RTB12Ⓢ	—	—	—	①
Expander with eight (8) 120V AC relays	1492-XIM120-8R	—	—	—	—	—	—
Fusible Expander							
8-channel expander with 24V DC blown fuse indicators	1492-XIMF-F24-2	—	—	—	—	—	①
8-channel expander with 120V AC blown fuse indicators	1492-XIMF-F120-2	—	—	—	—	—	—
Expander with sixteen (16) 24V DC relays with fusing	1492-XIM24-16RF	—	—	—	—	—	②
Feed through Expander							
Expander with eight (8) feed-through channels	1492-XIMF-2	—	—	—	—	—	①

- ① Two or three expanders are connected to a master to provide a total of 32 outputs max (depends on PLC module). An extender cable is included with each expander to connect it to the master.
- ② One 1492-XIM24-16RF is to be used with one 1492-XIM4024-16R AND 1492-XIM4024-16RF master (32 PT. only).
- ③ Cables are available in standard lengths of 0.5 m 1.0 m, 2.5 m, and 5.0 m. To order, insert the code for the desired cable length into the catalog number 005 = 0.5 m (010 = 1.0 m, 025 = 2.5 m, and 050 = 5.0 m), and insert the letter in the box. Example: **Catalog Number 1492-CAB010A94** is for a 1.0 m cable, and the suffix A94
- ④ The voltage rating is relay control/coil voltage. For Relay Contact Ratings, refer to page 192.
- ⑤ The LED indicates the PLC output status.
- ⑥ Order plugs separately (two plugs per catalog number). Plugs are available in screw style and push in style terminal types. To order, replace the Ⓢ in the catalog number with the code for the desired terminal style. The code for screw style is N and the code for push in style is P. The number (i.e., 20) in the cat. no. indicates the number of connections/pole.

Bulletin 1794 Pre-wired Cables

These **pre-wired cables** have a 37- or 62-pin D-shell connector on one end to mate with the Flex base (Cat. No. 1492-TB37DS or -TB62DS) and a 20- or 40-pin AMP connector at the other end to mate with the IFM/XIM module. You must first select the IFM/XIM from one of the preceding selection tables.

Pre-Wired Cables for Bulletin 1794 Flex Digital I/O Modules Using Flex Base 1794-TB37DS or -TB62DS

Cable Cat. No.	Standard Cable Lengths	Build-to-Order Available	No. of Conductors	Uses Flex Base	Mating 1794 I/O Modules Catalog Number
1492-CAB0A94	0.5, 1.0, 2.5, 5.0 m	Yes	20	1794-TB37DS	1794-IB16, -IB8, -IV16, -OB16, -OB16P, -OB8, -OB8EP, -OV16, -OV16P, -OW8, -IB10XOB8
1492-CAB0B94	0.5, 1.0, 2.5, 5.0 m	Yes	40	1794-TB62DS	1794-IB16D, -IB32, -OB32P, -IB16XOB16P

- ① Cables are available in standard lengths of 0.5 m, 1.0 m, 2.5 m, and 5.0 m. To order, insert the code for the desired cable length into the catalog number (005 = 0.5 m, 010 = 1.0 m, 025 = 2.5 m, and 050 = 5.0 m). Example: **Catalog Number 1492-CAB050A94** is for a 5.0 m cable that could be used to connect a Catalog Number 1492-IFM40F IFM to a Catalog Number 1794-IB16 I/O module.

The **I/O module-ready cables** have a 37- or 62-pin D-shell connector on one end to mate with the Cat. No. 1794-TB37DS or 1794-TB62DS Flex I/O base and 20 or 40 individually colored #22 AWG conductors (flying leads) at the other end. These cables provide the convenience of pre-wired connectors at the I/O module end, while allowing the flexibility to field-wire to standard terminal blocks of your choice.

I/O Module-Ready Cables for 1794 Flex Digital I/O modules Using Flex Base 1794-TB37DS or -TB62DS

Cable Cat. No.	Standard Cable Lengths	Build-to-Order Available	No. of Conductors	Uses Flex Base	Mating 1794 I/O Modules Catalog Number
1492-CAB0G94	1.0, 2.5, 5.0 m	Yes	20	1794-TB37DS	1794-IB16, -IB8, -IV16, -OB16, -OB16P, -OB8, -OB8EP, -OV16, -OV16P, -OW8, -IB10XOB8
1492-CAB0H94	1.0, 2.5, 5.0 m	Yes	40	1794-TB62DS	1794-IB16D, -IB32, -OB32P, -IB16XOB16P

- ① Cables are available in standard lengths of 1.0 m, 2.5 m, and 5.0 m. To order, insert the code for the desired cable length into the catalog number (010 = 1.0 m, 025 = 2.5 m, and 050 = 5.0 m). Example: **Catalog Number 1492-CAB050G94** is for a 5.0 m cable.

Pre-Wired cables for PowerFlex 700H and 700S Drive Digital I/O

Cable Catalog Number	Standard Cable Length	Build-to-Order Available	Number of Conductors	Mating PowerFlex Control Board Cat. No or Terminal
1492-CAB●A7H	0.5, 1.0, 2.5, 5.0 m	Yes	20	20C-DA1-A and 20C-DO1
1492-CAB●B7H	0.5, 1.0, 2.5, 5.0 m	Yes	20	20C-DA1-B and 20C-DO1
1492-CAB●A7S	0.5, 1.0, 2.5, 5.0 m	Yes	20	Terminal TB2

- Cables are available in standard lengths of 0.5 m, 1.0 m, 2.5 m, and 5.0 m. To order, insert the code for the desired cable length into the catalog number (005 = 0.5 m, 010 = 1.0 m, 025 = 2.5 m, and 050 = 5.0 m). Example: **Catalog Number 1492-CAB005A7H** is for a 0.5 m cable that could be used to connect a Catalog Number 1492-IFM20F IFM to a PowerFlex 700H drive 20C-DO1 and 20C-DA1-A module.

PowerFlex 700H and 700S Drive Analog Control I/O

Description of Analog IFM	Catalog Number for Wiring System Module with Fixed Terminal Block	Catalog Number for Wiring System Module with Removable Terminal Block Socket Assembly (order plugs separately)	700H Drive I/O Module	700S Drive I/O Module	
			20C-DA1-A or 20C-DA1-B	TB1 (Pins 1...12)	TB1 (Pins 13...24)
Feed-through					
6-channel isolated with 3...4 terminals/channel	1492-AIFM6S-3	1492-RIFM6S-3●	Z7H	Z7S	
2-channel counter inputs with 4 output points	1492-AIFMCE4	—	—	—	X7S
2-channel fused counter inputs with 4 fused output points	1492-AIFMCE4-F	—	—	—	X7S

- Compatible Removable Terminal Block (RTB) plug; 1492-RTB12N (screw style terminals) or 1492-RTB12P (push-in style terminals, available August 2007). ORDER PLUGS SEPARATELY. These pre-wired cables have a pre-wired removable terminal block (RTB) on one end to connect to the PowerFlex 700H or PowerFlex 700S drive analog control I/O board terminal. There is a 25-pin D-shell connector on the other end to plug into the mating AIFM module terminal. You must first select the AIFM from the table below.

Pre-Wired Cables for PowerFlex 700H and 700S Drive Analog I/O

Cable Catalog Number	Standard Cable Length	Build-to-Order Available	Number of Conductors	Mating PowerFlex Control Board Cat. No or Terminal
1492-ACAB●Z7H	0.5, 1.0, 2.5, 5.0 m	Yes	25-Pin D-Shell	20C-DA1-A or 20C-DA1-B I/O board
1492-ACAB●Z7S	0.5, 1.0, 2.5, 5.0 m	Yes	25-Pin D-Shell	Terminal TB1 (DINS 1...12)
1492ACAB●Z7S	0.5, 1.0, 2.5, 5.0 m	Yes	25-Pin D-Shell	Terminal TB2 (DINS 13...24)

- Cables are available in standard lengths of 0.5 m, 1.0 m, 2.5 m, and 5.0 m. To order, insert the code for the desired cable length into the catalog number (005 = 0.5 m, 010 = 1.0 m, 025 = 2.5 m, and 050 = 5.0 m). Example: **Catalog Number 1492-ACAB005Z7S** is for a 0.5 m cable that could be used to connect a Catalog Number 1492-AIFM6S-3 analog IFM to a PowerFlex 700S drive analog terminal I/O.