

# **BALDOR**® • **RELIANCE**

## **Product Information Packet**

### **L3506**

**.75HP,3450RPM,1PH,60HZ,56,3424L,TEFC,F1**

Part Detail							
Revision:	AC	Status:	PRD/A	Change #:		Proprietary:	No
Type:	AC	Elec. Spec:	34WG3405	CD Diagram:	CD0001	Mfg Plant:	
Mech. Spec:	34K042	Layout:	34LYK042	Poles:	02	Created Date:	
Base:	RG	Eff. Date:	05-09-2017	Leads:	6#18		

Specs			
Catalog Number:	L3506	Heater Indicator:	No Heater
Enclosure:	TEFC	Insulation Class:	B
Frame:	56	Inverter Code:	Not Inverter
Frame Material:	Steel	KVA Code:	K
Output @ Frequency:	.750 HP @ 60 HZ	Lifting Lugs:	No Lifting Lugs
Synchronous Speed @ Frequency:	3600 RPM @ 60 HZ	Locked Bearing Indicator:	No Locked Bearing
Voltage @ Frequency:	230.0 V @ 60 HZ	Motor Lead Quantity/Wire Size:	6 @ 18 AWG
	115.0 V @ 60 HZ	Motor Lead Exit:	Ko Box
XP Class and Group:	None	Motor Lead Termination:	Flying Leads
XP Division:	Not Applicable	Motor Type:	3424L
Agency Approvals:	UR	Mounting Arrangement:	F1
	CSA	Power Factor:	74
Auxillary Box:	No Auxillary Box	Product Family:	General Purpose
Auxillary Box Lead Termination:	None	Pulley End Bearing Type:	Ball
Base Indicator:	Rigid	Pulley Face Code:	Standard
Bearing Grease Type:	Polyrex EM (-20F +300F)	Pulley Shaft Indicator:	Standard
Blower:	None	Rodent Screen:	None
Current @ Voltage:	4.800 A @ 230.0 V	Shaft Extension Location:	Pulley End

	6.100 A @ 208.0 V	<b>Shaft Ground Indicator:</b>	No Shaft Grounding
	9.600 A @ 115.0 V	<b>Shaft Rotation:</b>	Reversible
<b>Design Code:</b>	N	<b>Shaft Slinger Indicator:</b>	No Slinger
<b>Drip Cover:</b>	No Drip Cover	<b>Speed Code:</b>	Single Speed
<b>Duty Rating:</b>	CONT	<b>Motor Standards:</b>	NEMA
<b>Electrically Isolated Bearing:</b>	Not Electrically Isolated	<b>Starting Method:</b>	Direct on line
<b>Feedback Device:</b>	NO FEEDBACK	<b>Thermal Device - Bearing:</b>	None
<b>Front Face Code:</b>	Standard	<b>Thermal Device - Winding:</b>	None
<b>Front Shaft Indicator:</b>	None	<b>Vibration Sensor Indicator:</b>	No Vibration Sensor

Nameplate NP1256L												
CAT.NO.	L3506											
SPEC.	34K42-3405											
HP	.75											
VOLTS	115/230											
AMP	9.6/4.8											
RPM	3450											
FRAME	56					HZ	60			PH	1	
SER.F.	1.25					CODE	K		DES	N	CLASS	B
NEMA-NOM-EFF	66					PF	74					
RATING	40C AMB-CONT											
CC									USABLE AT 208V	6.1		
DE	6203					ODE	6203					
ENCL	TEFC					SN						
	SFA 11.6/5.8											

**AC Induction Motor Performance Data**  
Record # 6684 - Typical performance - not guaranteed values

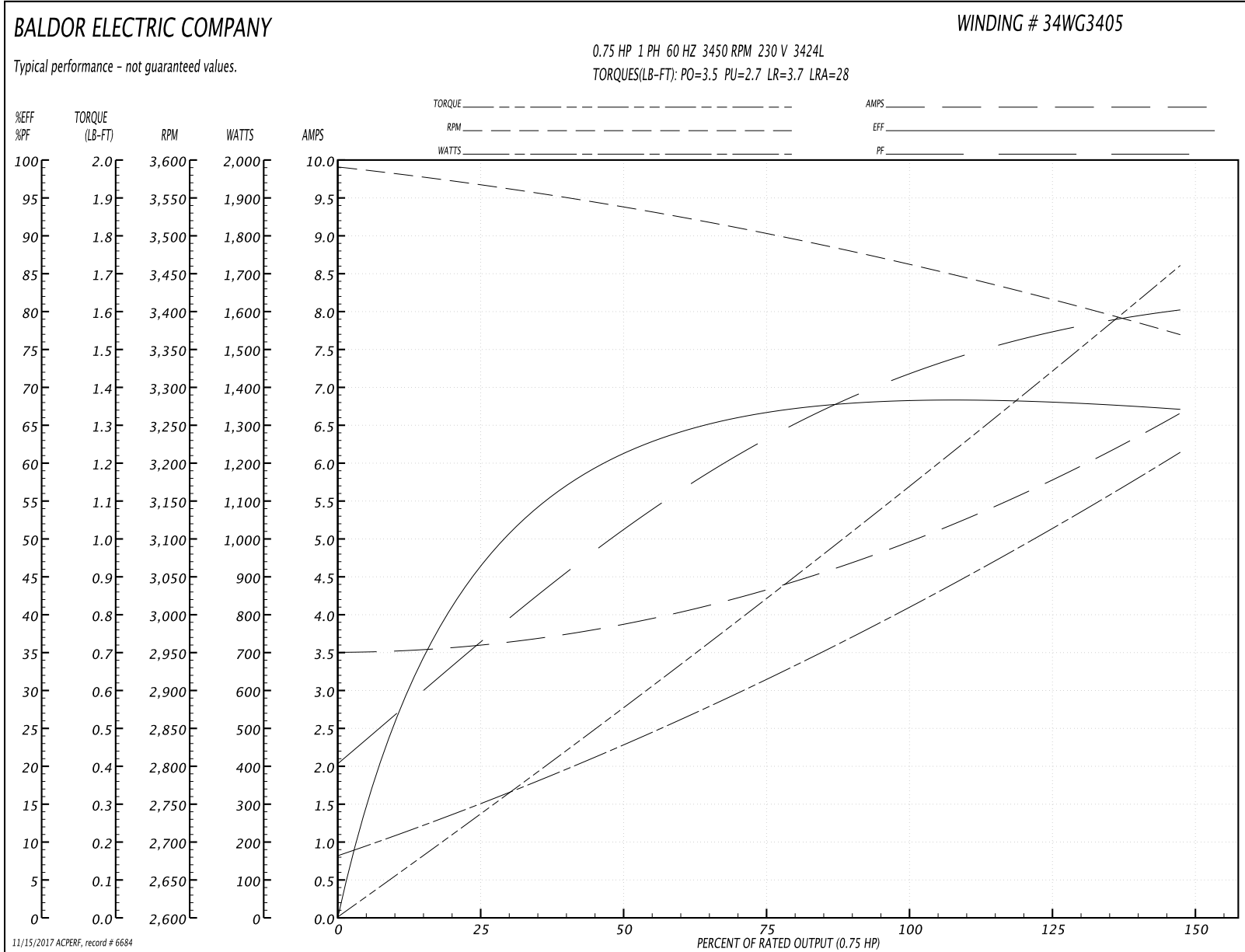
<b>Winding:</b> 34WG3405-R001	<b>Type:</b> 3424L	<b>Enclosure:</b> TEFC
-------------------------------	--------------------	------------------------

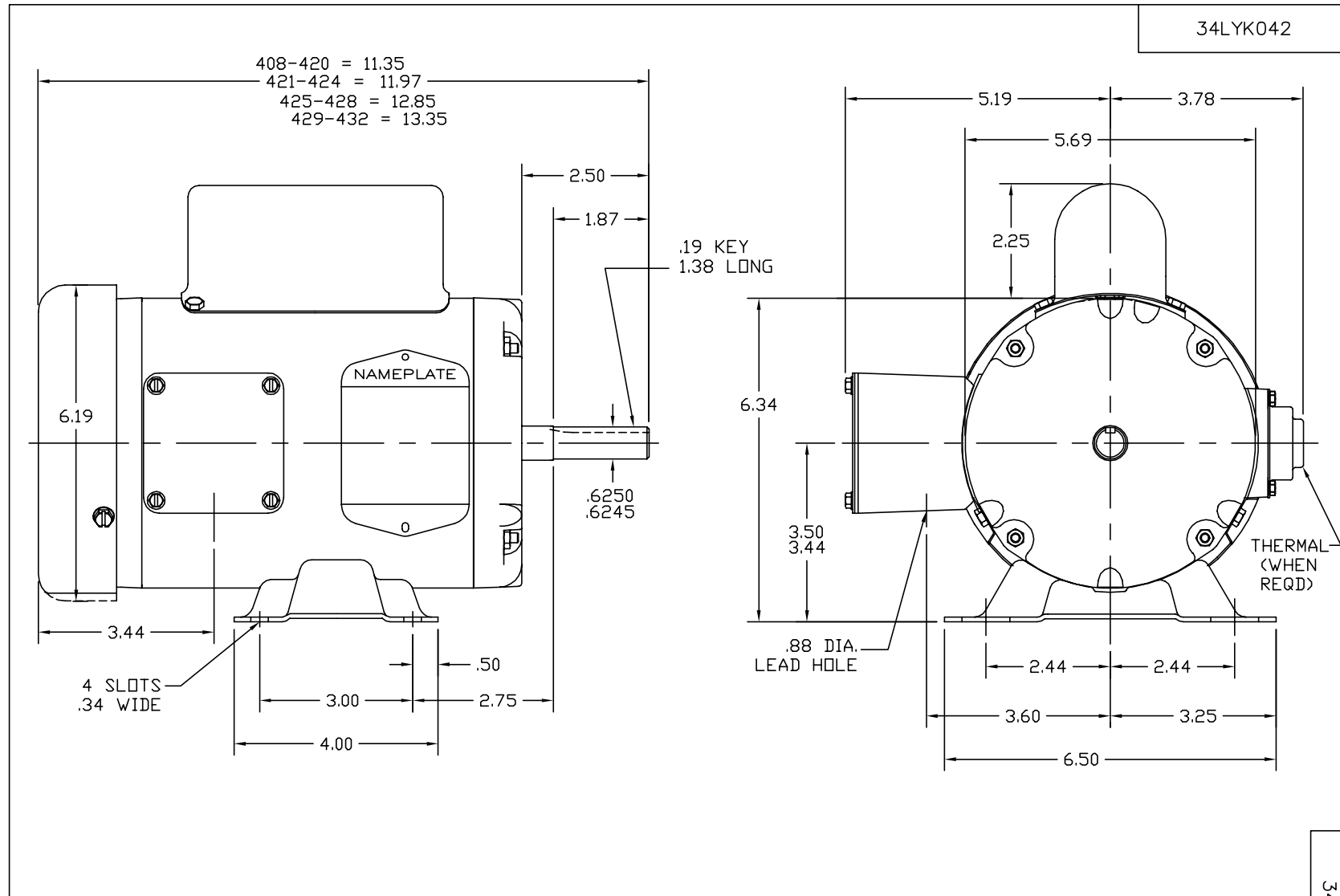
Nameplate Data				230 V, 60 Hz: High Voltage Connection	
Rated Output (HP)	.75			Full Load Torque	1.15 LB-FT
Volts	115/230			Start Configuration	direct on line
Full Load Amps	9.6/4.8			Breakdown Torque	3.5 LB-FT
R.P.M.	3450			Pull-up Torque	2.7 LB-FT
Hz	60	Phase	1	Locked-rotor Torque	3.7 LB-FT
NEMA Design Code	N	KVA Code	K	Starting Current	28 A
Service Factor (S.F.)	1.25			No-load Current	3.5 A
NEMA Nom. Eff.	66	Power Factor	74	Line-line Res. @ 25°C	2.5 Ω A Ph 2.5 Ω B Ph
Rating - Duty	40C AMB-CONT			Temp. Rise @ Rated Load	78°C
S.F. Amps	11.6/5.8			Temp. Rise @ S.F. Load	92°C

Load Characteristics 230 V, 60 Hz, 0.75 HP

% of Rated Load	25	50	75	100	125	150	S.F.
Power Factor	36	51	62	70	76	81	0
Efficiency	47.2	61.1	66.5	68.7	68.7	66.7	0
Speed	3561	3534	3500	3464	3421	3365	0
Line amperes	3.6	3.9	4.4	5	5.7	6.7	5.7

Performance Graph at 230V, 60Hz, 0.75HP Typical performance - Not guaranteed values



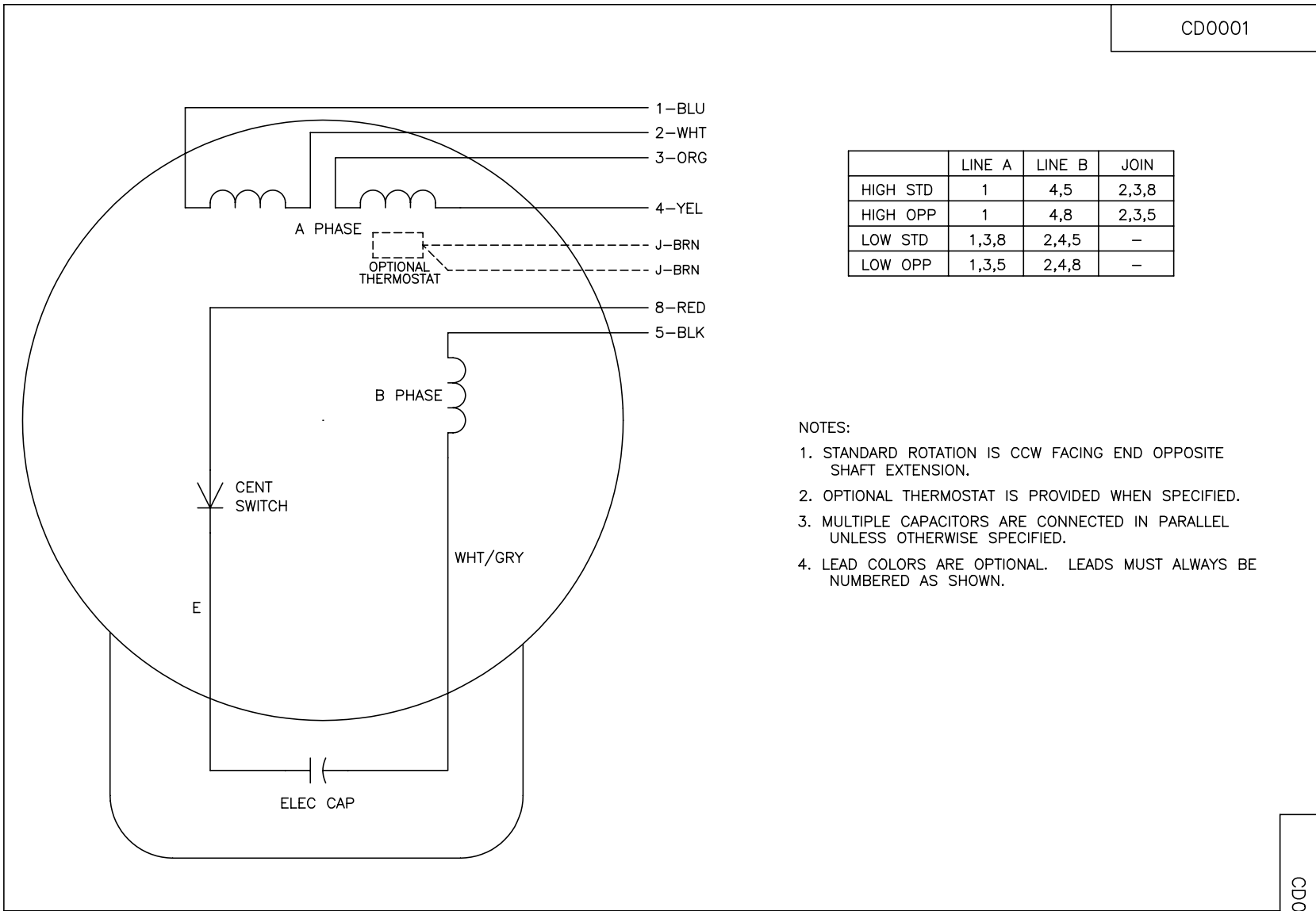


CUSTOMER IS RESPONSIBLE FOR DETERMINING THAT MOTOR PERFORMANCE IS SUITABLE IN THE APPLICATION.

REV. DESC: UPDATE GRAPHIC TO MATCH WITH BOM			<b>BALDOR ELECTRIC Co.</b>
REV. LTR: C	VERSION: 01	TDR: 000000410146	
34LYK042	FILE: \AAA\00025\615	REVISED: 14:09:45 10/04/2006	STD HORZ 34L NEMA 56 TEFC W/35 CAPAC BOX
	MTL: -	BY: ENRSTO	

34LYK042

CD0001



	LINE A	LINE B	JOIN
HIGH STD	1	4,5	2,3,8
HIGH OPP	1	4,8	2,3,5
LOW STD	1,3,8	2,4,5	-
LOW OPP	1,3,5	2,4,8	-

- NOTES:
1. STANDARD ROTATION IS CCW FACING END OPPOSITE SHAFT EXTENSION.
  2. OPTIONAL THERMOSTAT IS PROVIDED WHEN SPECIFIED.
  3. MULTIPLE CAPACITORS ARE CONNECTED IN PARALLEL UNLESS OTHERWISE SPECIFIED.
  4. LEAD COLORS ARE OPTIONAL. LEADS MUST ALWAYS BE NUMBERED AS SHOWN.

REV. DESC: REVISE TO SHOW OPTIONAL COLORS			
REV. LTR: D	BY: JLP	REVISED: 04/08/99 1:16	TDR: 0178636
100000		FILE: AAA00007405	MDL: -
		MTL: -	

**BALDOR ELECTRIC Co.**

TYPE L, DV, REV, 6 LEADS

CD0001