

ACTUATOR-/INDICATOR COMPONENT WITH INTEGRATED LED
24V AC/DC LAMP HOLDER SCREW TERMINAL GREEN !!!
Phased-out product !!! SIRIUS ACT 3SU1 is successor Preferred
successor type is >>3SU1401-1BB40-1AA0<<



Figure similar

Mounting type	front mounting
Height	36 mm
Width	10 mm
Depth	20 mm

Further information

Information- and Downloadcenter (Catalogs, Brochures,...)

<http://www.siemens.com/industrial-controls/catalogs>

Industry Mall (Online ordering system)

<https://mall.industry.siemens.com/mall/en/en/Catalog/product?mlfb=3SB3400-1PC>

Cax online generator

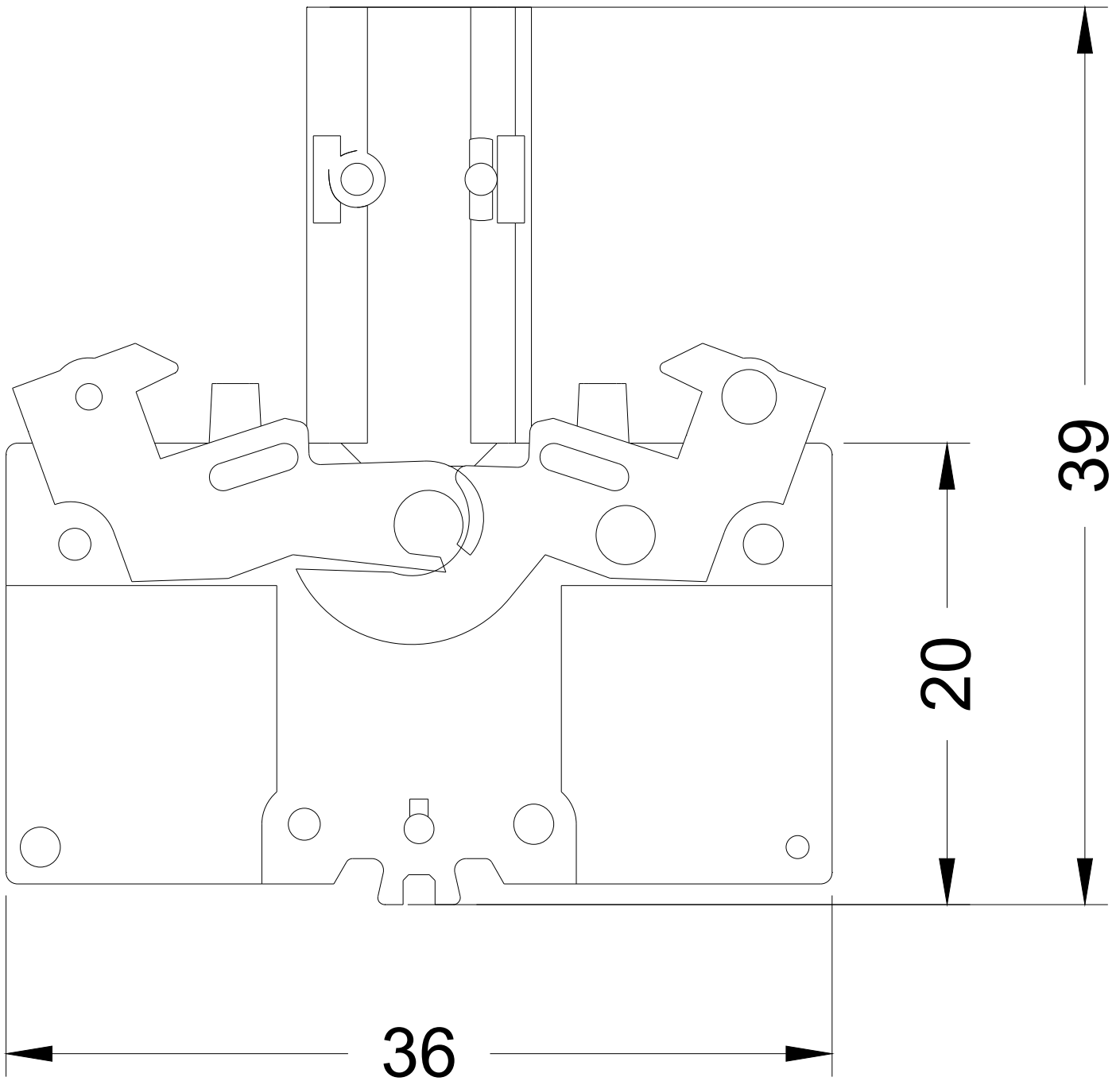
<http://support.automation.siemens.com/WW/CAXorder/default.aspx?lang=en&mlfb=3SB3400-1PC>

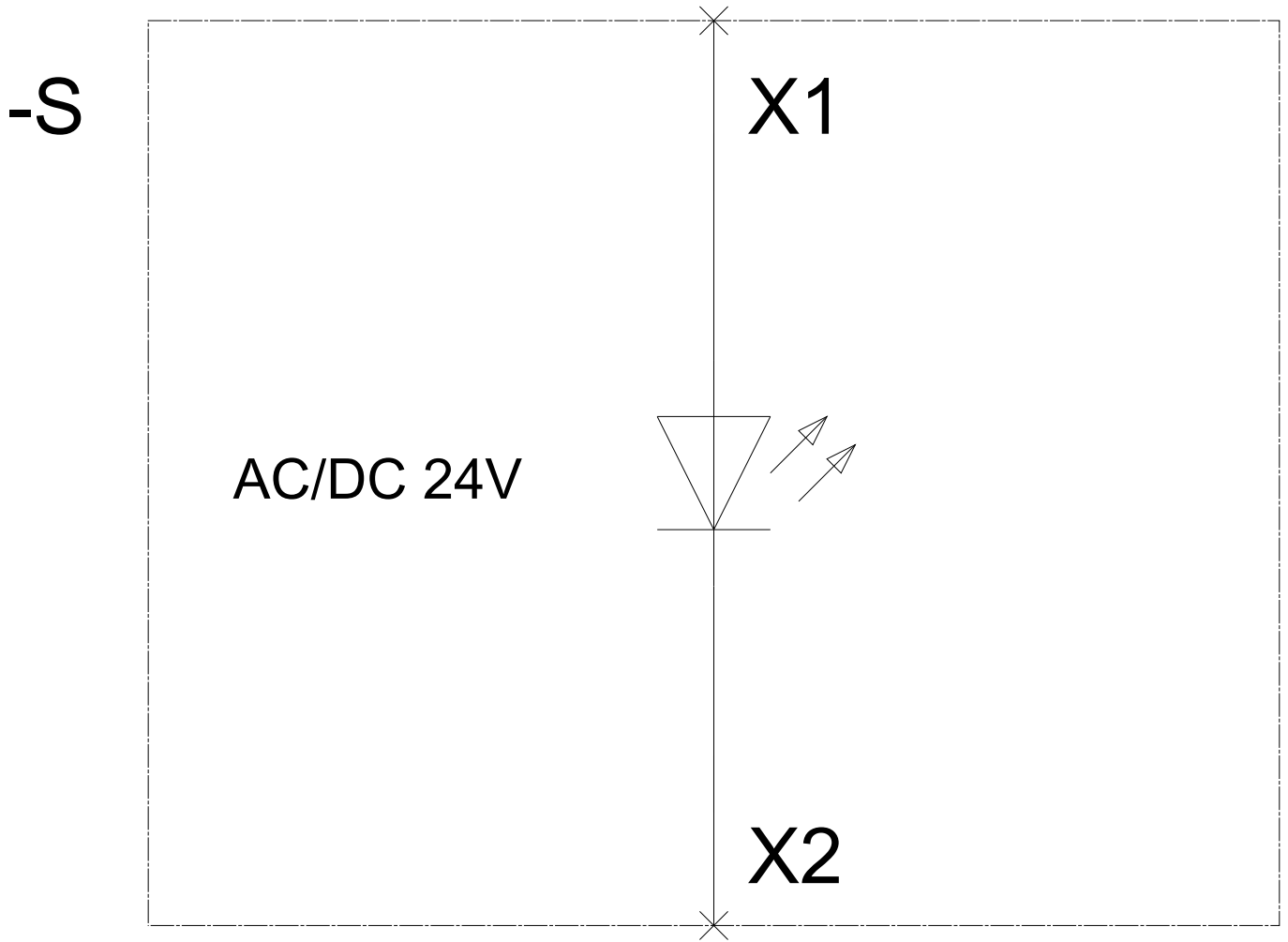
Service&Support (Manuals, Certificates, Characteristics, FAQs,...)

<https://support.industry.siemens.com/cs/ww/en/ps/3SB3400-1PC>

Image database (product images, 2D dimension drawings, 3D models, device circuit diagrams, EPLAN macros, ...)

http://www.automation.siemens.com/bilddb/cax_de.aspx?mlfb=3SB3400-1PC&lang=en





last modified:

04/30/2018 