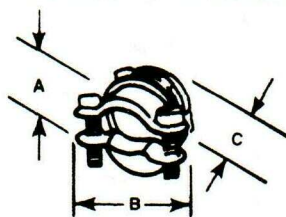


# T&B Conduit Fittings

## Non-Metallic Sheathed Cable Fittings



### Two-screw Connectors



Steel or malleable iron.  
Rounded cable grip and smooth bushing protect the cable sheath and wire insulation. Since saddle is threaded, screws do not travel or extend beyond the connector body as it is clamped to the cable. An extra Up on the saddle closes the unused part of the connector opening.

Non-Insulated Cat. No.	Insulated Cat. No.	K.O. Size	U.L. Listed & CSA Certified for the following Single (1) and Pairs of (2) NM & NMC Cable	U.L. Listed & CSA Certified for the following Service Entrance Cables	A	B	C	Cable Opening	
								max.	min.
3302-TB*	3302M-TB	W	(1)2*14,2.112,2*10,3*14, 3*12,3*10, (2)2*14, 2#12	2*12 thru 2*4, 3*12, 3110	W	1 1/2"	1"	.590	.250
3303-TB	3303M	W	(1)2*8,2*6,3*8 (2)2*12,2*10,2*8,3114 (1)318,3*6,3*4	2*8 thru 2*1/0, 318, 3*6, 2*6 + *8GND 211, 2*1/0, 3*6 thru 3*2,	1 1/4"	1 3/8"	W	.750	.530
3304	3304M	1"	(2)2*8,3*10  (1)3*8,3*6,314	2#4 + #6 GND, 2*3 + #5 GND, 2#2 + #4 GND 3*2 thru 3*2/0, 2*1 +13	1W	1 7/8"	r/f	.990	.690
3305	3305M	1 1/4"	(2)2*8, 2*6, 2*4, 3*8	GND, 211/0 + *2 GND, 2*2/0+11 GND	1W	Wk	1 3/8"	1.320	.850
3306	3306M	V/f	(1)314	3*3/0, 3#4/0, 2*3/0 + *1/0 GND, 2*4/0 + 12/0 GND	2 5/32"	2 3/8"	1 5/8"	1.515	.930
3307	3307M	2"	Max. 1.98", Min. 1.15"						
3308†	-	2W	Max. 2.38", Min. 1.5"						
3309†	-	3"	Max. 2.88", Min. 1.75"	-	2 25/32"	3 1/8"	1 29/32"	1.980	1.150
331 Of	-	3 1/4"	Max. 3.38", Min. 2.25"						
3311†	-	4"	Max. 3.88", Min. 2.5"						

\* U.L. Listed for use with rubber and thermoplastic flexible cords (both single and multiple cords and 2 oval cables).

† Not U.L. Listed or CSA certified.

U.L. Listed for multiple cords and cables.

CSA File No. 2884

U.L. File No. E-23013- 1/2" - 1 1/2", U.L. File No. E-15170-2"

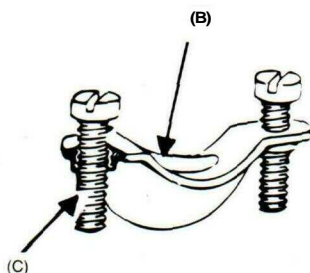
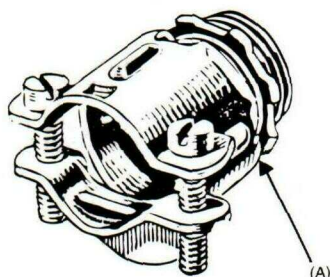
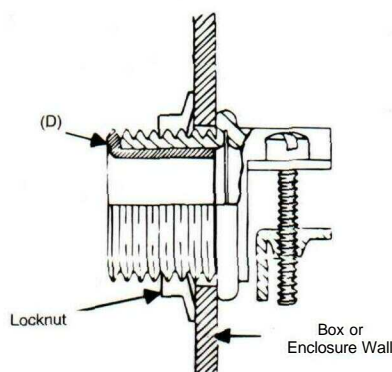
# T&B Conduit Fittings

## Non-Metallic Sheathed Cable Fittings



**3302M Series  
Non-Metallic Sheathed  
Cable Connector**

### Typical Installation



### Non-Metallic Sheathed Cable & Flexible Cord Connectors (Steel)

#### Application

- To connect non-metallic sheathed cable and flexible cord to a box or an enclosure.

#### Features

- Rugged all steel/malleable iron construction (A).
- Rounded cable clamp grip provides superior mechanical holding power without damaging conductor insulation or outer jacket (B).
- Clamp designed to cover body opening for a neat and safe installation
- Screws thread into clamp and not body; screw heads are snug with body and ends of screws do not project beyond the body (C).

- Insulator firmly secured in place protects conductors and reduces wire pulling effort; protects threads from damaging during handling (D).
- Locknut designed to secure connector to a box or enclosure; will not vibrate loose.

#### Standard Material

Body .....	1/2" thru 1" Steel; Wo" thru 2" Malleable Iron
Clamp.....	1/2" thru 1 1/4" Steel; 1 1/4" thru 2" Malleable Iron
Locknut.....	All Steel
Insulator .....	Thermoplastic

#### Standard Finish

All steel and malleable iron parts - Electro Zinc Plated & Chromate Coated

#### Range

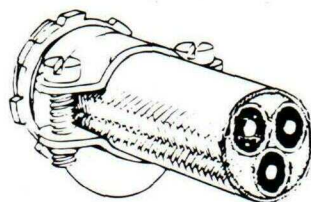
Hub Size.....	1/2" thru 2" Hubs provided with straight pipe threads (NFS.)
Cable .....	2 # 14 thru 4 #4 Type NM
Cable Outside Diameter .....	.250" to 1.150"

#### Listed/Certified by:

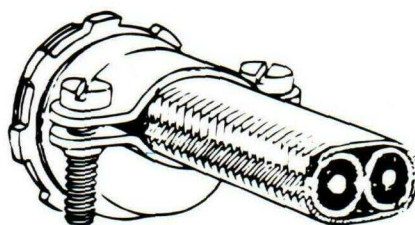
U.L. (U.L. File No: E-23017)  
CSA (LR-589, LR-2884)

#### Conforms to:

U.L. 514B  
CSAC22.2No. 18  
NFPA 70-1999 (ANSI)  
NEMA FB1  
Federal Standard H-28 (Threads)



Typical Installation  
(Flexible Cord)



Typical Installation  
(NM-Sheathed Cable)