

Safety Switches

Double-Throw Switches

Section 2

Spec-Setter™ Safety Switches

Type TC Outdoor

240, 480, 600 Volts AC

250 Volts DC

Three-wire SN, 120/240 Volts AC, No Fuse—Emergency Power Transfer Switch

| Ampere Rating | Enclosure Type ² | Lug Wire Size, AWG/kcmil, Cu/Al | Product Number | List Price GO-131A |
|---------------|-----------------------------|---------------------------------|-----------------|-----------------------|
| 100A | NEMA Type 3R | 12-1 | TC10323R | \$501.00 |
| 200A | NEMA Type 3R | 6-250 | TC10324R | \$1336.00 |

Four-wire SN, 240 Volts AC, No Fuse—Emergency Power Transfer Switch

| Ampere Rating | Enclosure Type ² | Lug Wire Size, AWG/kcmil, Cu/Al | Product Number | List Price GO-131A |
|---------------|-----------------------------|---------------------------------|----------------|-----------------------|
| 200A | NEMA Type 3R | 6-250 | TC10424R | \$1832.00 |

Accessories for TDT-Style Fusible Double-Throw Safety Switches (Standard Delivery—4 Weeks)

| Accessory Type | Description | Product Number | List Price GO-131B |
|--------------------------------------|---------------------------------|----------------------|-----------------------|
| Control Pole | — | DS16CP | \$193.00 |
| Electrical Interlocks | 30-800 A, 1N | DS200EK1 | \$261.00 |
| Electrical Interlocks | 30-800 A, 2N | DS200EK2 | \$523.00 |
| Neutral Kit | 30-100 A | DT100NK | \$144.00 |
| Neutral Kit | 200 A | DT200NK | \$235.00 |
| Neutral Kit | 400-800 A | DS800NK | \$564.00 |
| Class J Fuse Field Conversion Kit | 400 A (600 V only) | DT400JK | \$499.00 |
| Equipment Ground Kits | 30-100 A Kit | DS100GK | \$9.25 |
| Equipment Ground Kits | 200 A Kit | DS200GK | \$105.00 |
| Equipment Ground Kits | 400-800 A Kit | DS468GK | \$210.00 |
| Class R Fusing Kit—Field Installable | for 3 Poles 30 A (240V) | DS12FK | \$20.25 |
| Class R Fusing Kit—Field Installable | for 3 Poles 30 & 60 A | DS16FK | \$20.25 |
| Class R Fusing Kit—Field Installable | for 3 Poles 60 A (600V) | DS26FK | \$20.25 |
| Class R Fusing Kit—Field Installable | for 3 Poles 100 A (240V & 600V) | DS36FK | \$39.00 |
| Class R Fusing Kit—Field Installable | for 3 Poles 200 A (240V & 600V) | DS46FK | \$57.75 |
| Class R Fusing Kit—Field Installable | for 3 Poles 400 A (240V & 600V) | DS56FK | \$98.00 |
| Class R Fusing Kit—Field Installable | for 3 Poles 600A (240V & 600V) | DS66FK | \$98.00 |
| T Fuse Clip | for 3 Pole 200A (240V) | DS426TK | \$67.50 |
| T Fuse Clip | for 3 Pole 200A (600V) | DS466TK | \$87.50 |
| T Fuse Clip | for 1 Pole 400A (240V) | DS526TK ¹ | \$57.50 |
| T Fuse Clip | for 1 Pole 400A (600V) | DS566TK ¹ | \$84.50 |
| T Fuse Clip | for 1 Pole 600A (240V) | DS626TK ¹ | \$67.50 |
| T Fuse Clip | for 1 Pole 600A (600V) | DS666TK ¹ | \$96.00 |

¹Order one kit per pole.

²Devices may have removable closing cap. Order hubs separately. See page 2-28.

Accessories for 240V & 600V TC Non-Fusible Double Throw Safety Switches

| Accessory Type | Switch Amp Rating | Description | Voltage | Product Number | List Price | GO-Schedule |
|--------------------------------------------|-------------------|----------------------------------------------------------------------------|---------|----------------|------------|-------------|
| Neutral Kits | 30 | (5) 1/0-14 with bond strap | 240 | TNK100 | \$60.00 | 131B |
| Neutral Kits | 60 | (5) 1/0-14 with bond strap | 240 | TNK100 | \$60.00 | 131B |
| Neutral Kits | 100 | (5) 1/0-14 with bond strap | 240 | TNK100 | \$60.00 | 131B |
| Neutral Kits | 200 | with bond screw | 240 | TNK200 | \$110.00 | 131B |
| Neutral Kits | 400 | (3) 2-600MCM with bond lug | 240 | TNK400 | \$125.00 | 131B |
| Neutral Kits | 60 | (5) 1/0-14 with bond strap | 600 | TNK100 | \$60.00 | 131B |
| Neutral Kits | 100 | (5) 1/0-14 with bond strap | 600 | TNK100 | \$60.00 | 131B |
| Neutral Kits | 200 | with bond screw | 600 | TNK200 | \$110.00 | 131B |
| Ground Kits | 30 | (4) 14-8 AWG CU or 12-8 AWG AL plus (3) 14-4 AWG CU or 6-4 AWG AL | | TGL1 | \$6.75 | 137A |
| Ground Kits | 60 | (4) 14-8 AWG CU or 12-8 AWG AL plus (3) 14-4 AWG CU or 6-4 AWG AL | | TGL1 | \$6.75 | 137A |
| Ground Kits | 100 | (3) #12-1/0 AWG CU/AL | | TNG3 | \$60.00 | 137A |
| Ground Kits | 200 | (3) #12-1/0 AWG CU/AL | | TNG3 | \$60.00 | 137A |
| Ground Kits | 400 | (3) #2-250MCM CU/AL | | TGL6 | \$68.00 | 131 |
| Ground Kits | 600 | (3) #2-250MCM CU/AL | | TGL6 | \$68.00 | 131 |
| Auxiliary Contact Kit (field installed) | 30-600 | Auxiliary Contact Kit - Field installed for NEMA 1 and NEMA 3R TC Switches | | THAUXDT | \$750.00 | 131B |



Safety Switches Enclosure Dimensions

Spec-Setter™ Safety Switches

TC, TDT, TPF and TPN

NEMA Type 1 and 3R Enclosures

Section 2

NEMA Type 1 TC Plug Fuse Approximate Dimensions in Inches Figure 1

| Product Number | Dimension W | Dimension H | Dimension D | Dimension W2 | KO Figure Number ¹ |
|----------------|-------------|-------------|-------------|--------------|-------------------------------|
| TPF130 | 4 3/8 | 7 5/8 | 2 1/2 | 4 3/8 | 17 |
| TPF230 | 4 3/8 | 7 5/8 | 2 1/2 | 4 3/8 | 17 |

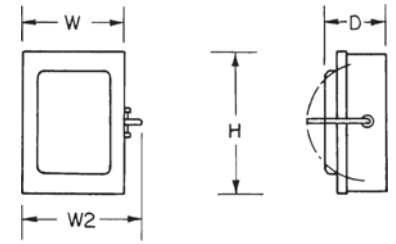


Figure 1

NEMA Type 1 TC Double Throw Approximate Dimensions in Inches Figure 1

| Product Number | Dimension W | Dimension H | Dimension D | Dimension W2 | KO Figure Number ¹ |
|----------------|-------------|-------------|-------------|--------------|-------------------------------|
| TC35321 | 10.37 | 15.81 | 5.33 | 12.04 | 7 |
| TC35322 | 11.37 | 18.75 | 6.43 | 13.10 | 7 |
| TC35323 | 14.37 | 22.37 | 8.06 | 16.12 | 9 |
| TC35324 | 17.87 | 30.12 | 9.15 | 19.88 | 10 |
| TC35325 | 24.40 | 34.31 | 10.52 | 26.94 | 10 |
| TC35326 | 23.50 | 44.38 | 9.25 | 26.00 | 12 |
| TC35362 | 11.37 | 18.75 | 6.43 | 13.10 | 7 |
| TC35363 | 14.37 | 22.37 | 8.06 | 16.12 | 9 |
| TC35364 | 17.87 | 30.12 | 9.15 | 19.88 | 10 |
| TC35365 | 20.44 | 34.31 | 8.25 | 22.90 | 10 |
| TC35366 | 23.50 | 44.38 | 9.25 | 26.00 | 12 |

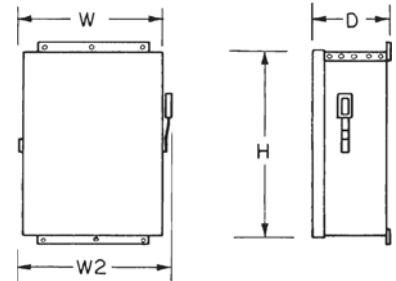


Figure 2

NEMA Type 3R TC Double Throw Approximate Dimensions in Inches Figure 1

| Product Number | Dimension W | Dimension H | Dimension D | Dimension W2 | KO Figure Number ¹ |
|----------------|-------------|-------------|-------------|--------------|-------------------------------|
| TC35321R | 10.88 | 19.75 | 5.33 | 11.98 | No KO |
| TC35322R | 11.88 | 20.80 | 6.43 | 12.98 | No KO |
| TC35323R | 14.88 | 22.91 | 8.06 | 16.38 | No KO |
| TC35324R | 17.87 | 30.63 | 9.15 | 19.88 | No KO |
| TC35325R | 24.40 | 34.83 | 10.52 | 26.94 | No KO |
| TC35362R | 11.88 | 20.80 | 6.43 | 12.98 | No KO |
| TC35363R | 14.88 | 22.91 | 8.06 | 16.38 | No KO |
| TC35364R | 17.87 | 30.63 | 9.15 | 19.88 | No KO |

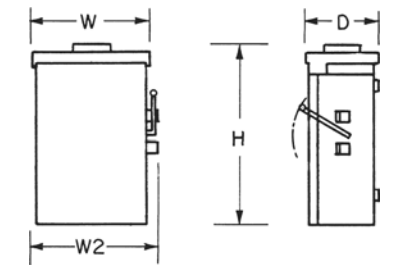


Figure 3

NEMA Type 1 TDT Fusible Double Throw Approximate Dimensions in Inches Figure 5

| Product Number | Dimension W | Dimension H | Dimension D | Dimension W2 | KO Figure Number ¹ |
|----------------|-------------|-------------|-------------|--------------|-------------------------------|
| TDT3321 | - | 37 | 9 7/8 | 12 3/4 | No KO |
| TDT3322 | - | 37 | 9 7/8 | 12 3/4 | No KO |
| TDT3323 | - | 37 | 9 7/8 | 12 3/4 | No KO |
| TDT3324 | - | 51 3/8 | 11 1/4 | 20 3/8 | No KO |
| TDT3325 | - | 74 3/4 | 14 1/8 | 26 1/8 | No KO |
| TDT3326 | - | 86 1/8 | 14 1/8 | 28 1/4 | No KO |
| TDT3361 | - | 37 | 9 7/8 | 12 3/4 | No KO |
| TDT3362 | - | 37 | 9 7/8 | 12 3/4 | No KO |
| TDT3363 | - | 37 | 9 7/8 | 12 3/4 | No KO |
| TDT3364 | - | 51 3/8 | 11 1/4 | 20 3/8 | No KO |
| TDT3365 | - | 74 3/4 | 14 1/8 | 26 1/8 | No KO |

NEMA Type 1 TC 800 and 1200 Amp Approximate Dimensions in Inches Figure 2

| Product Number | Dimension W | Dimension H | Dimension D | Dimension W2 | KO Figure Number ¹ |
|----------------|-------------|-------------|-------------|--------------|-------------------------------|
| TC36367 | 32 1/4 | 52 1/2 | 12 1/2 | 34 | No KO |
| TC36368 | 37 1/2 | 65 1/2 | 13 1/2 | 39 1/4 | No KO |
| TC72267 | 41 3/4 | 62 | 12 1/2 | 43 1/2 | No KO |
| TC72268 | 47 1/2 | 77 | 13 1/2 | 49 1/4 | No KO |
| TC72367 | 41 3/4 | 62 | 12 1/2 | 43 1/2 | No KO |
| TC72368 | 47 1/2 | 77 | 13 1/2 | 49 1/4 | No KO |

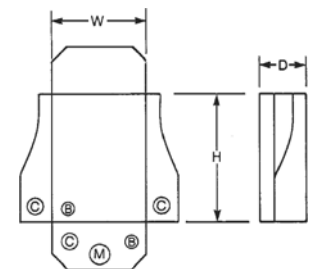


Figure 4

NEMA Type 3R TC Double Throw Approximate Dimensions in Inches Figure 3

| Product Number | Dimension W | Dimension H | Dimension D | Dimension W2 | KO Figure Number ¹ |
|----------------|-------------|-------------|-------------|--------------|-------------------------------|
| TC10323R | 7 3/8 | 15 1/8 | 4 | 8 1/16 | 15 |
| TC10324R | 13 9/16 | 30 | 6 1/4 | 15 5/8 | 13 |
| TC10424R | 13 9/16 | 30 | 6 1/4 | 15 5/8 | 13 |

NEMA Type 3R TDT Fusible Double Throw Approximate Dimensions in Inches Figure 5

| Product Number | Dimension W | Dimension H | Dimension D | Dimension W2 | KO Figure Number ¹ |
|----------------|-------------|-------------|-------------|--------------|-------------------------------|
| TDT3321R | - | 37 | 9 7/8 | 12 3/4 | No KO |
| TDT3322R | - | 37 | 9 7/8 | 12 3/4 | No KO |
| TDT3323R | - | 37 | 9 7/8 | 12 3/4 | No KO |
| TDT3324R | - | 51 3/8 | 11 1/4 | 20 3/8 | No KO |
| TDT3363R | - | 37 | 9 7/8 | 12 3/4 | No KO |
| TDT3364R | - | 51 3/8 | 11 1/4 | 20 3/8 | No KO |

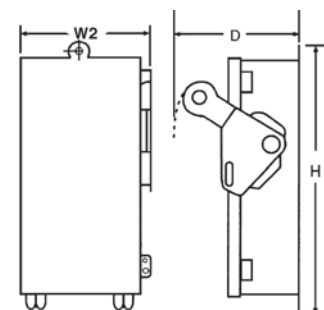


Figure 5

¹See page 2-37.



Publications and Reference: See Section 22 for a complete list of additional product-related publications