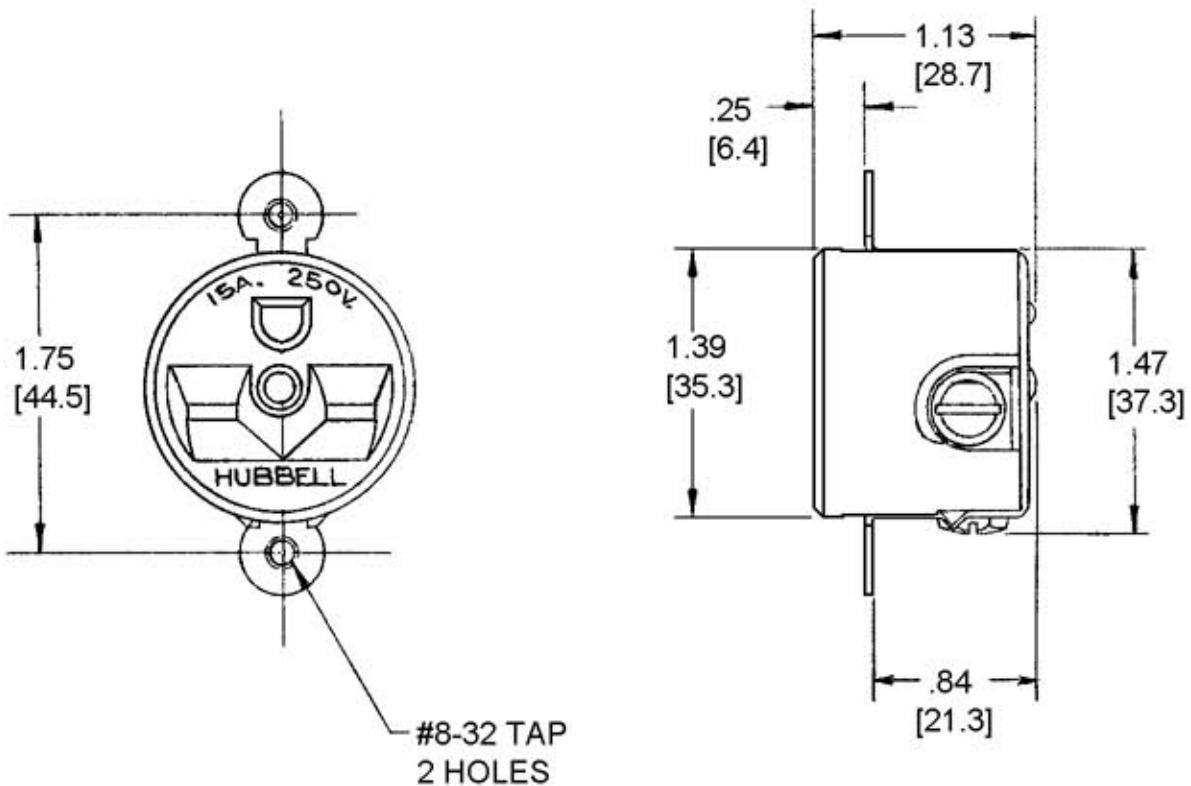


M-3267

3



NOTES:

1. WIRE CAPACITY: #16 AWG TO #12 AWG, SOLID OR STRANDED COPPER WIRE.
2. SUPPLIED WITH (2) #8-32 X .44 LG MOUNTING SCREWS.
3. ALL DIMENSIONS TO BE INCHES.

[mm]

CATALOG NUMBER	COLOR	CONFIGURATION	RATING
HBL5658	BROWN	NEMA 6-15R	15A 250V
HBL5658I	IVORY		

**TITLE**  
15A 250V 3 WIRE GROUNDING  
SINGLE RECEPTACLE WITH SHORT MTG  
STRAP SIDE WIRED ONLY.

LIST OF PARTS		
DESCRIPTION	MATERIAL	FINISH
BODY	UREA	SEE TABLE
CONTACT SPRINGS	.031 BRONZE	
BINDING SCREWS	BRASS	
HEX. HD. BIND'G SC.	BRASS	GREEN
INSULATOR	.051 PHENOLIC	
SUPPORTING STRAP	040 CRS.	ZINC PL.
RIVETS	BRASS	

SYM	REVISIONS	APP	DATE
3	10/10/06 IN LIST OF PARTS, BODY MATERIAL "UREA" WAS "BAKELITE"; REMOVED RIBBED AREAS FROM L.H. VIEW PER DCN #12582. JMN	TJV	10/10/06
2	ADDED NOTES 1 THRU 3; ADDED TABLE; "SEE TABLE" WAS "BROWN"; REVISED TITLE; CONVERTED ALL DIMS. TO DECIMAL & METRIC PER DCN 11902 RCM	JPP	1/31/05
1	DIM "A" AND TOLERANCES ADDED A.J.L.		5-5-70

SUPERSEDES DWG. DATED 5-17-57

TOLERANCES UNLESS OTHERWISE SPECIFIED		HARVEY HUBBELL, INC.	
FRACTIONS ± 1/64		BRIDGEPORT, CONN.	
DECIMALS ± .005		DR. BY ASM	APP. BY
ANGLES ± 2°		TR. BY	SCALE F.U.L.
		CHK'D. BY	DATE 6-16-69

CODE 74545

DIMENSION SHEET FOR CAT. NO. M-3267  
 REPAIRABLE  NON-REPAIRABLE  B  
 SEE TABLE  
 3