

TOGGLE SWITCHES • UTILITY & HEAVY DUTY

| .50" MOUNTING HOLE DIAMETER | | | | | | | | | | |
|-----------------------------|-------------------|----------------|--------------|------------------|----------------|-------------------|-----------------------------|------------------|----------------|----------|
| POLES & THROWS | CIRCUIT FUNCTIONS | NOMINAL RATING | | | ACTUATOR STYLE | ACTUATOR MATERIAL | LIGHTED TOGGLE/TOGGLE COLOR | TERMINATION TYPE | CATALOG NUMBER | FIG. NO. |
| | | AMPS 125 VAC | AMPS 250 VAC | H.P. 125-250 VAC | | | | | | |

MAINTAINED CONTACT

| | | | | | | | | | |
|------|-----------|-----|-------------|-----------|--------------|--------------|-----------|------------------------|----|
| DPST | ON-OFF | 20* | 2^ | BAT | BRASS/NICKEL | NO/NICKEL | SCREW | SS627-BG | 1 |
| DPDT | ON-ON | 15 | 10 | 3/4 | FLAT | NYLON | NO/BLACK | SS511-BG | 2 |
| DPDT | ON-ON | 15 | 10 | 3/4 | FLAT | NYLON | NO/BLACK | SS506-BG | 3 |
| DPDT | ON-ON | 20 | 10 | 3/4 | BAT | BRASS/NICKEL | NO/NICKEL | SS117-BG ¹ | 4 |
| DPDT | ON-ON | 20 | 10 Δ | 1 1/2 | BAT | BRASS/NICKEL | NO/NICKEL | SS208R-BG | 5 |
| DPDT | ON-ON | 20 | | | BAT | BRASS/NICKEL | NO/NICKEL | SS208R-BG | 6 |
| DPDT | ON-OFF-ON | 15 | 10 | 3/4 | BAT | BRASS/NICKEL | NO/NICKEL | SS208P-BG | 5 |
| DPDT | ON-OFF-ON | 15 | 10 | 3/4 | FLAT | NYLON | NO/BLACK | SS512-BG | 2 |
| DPDT | ON-OFF-ON | 15 | 10 | 3/4 | FLAT | NYLON | NO/BLACK | SS507-BG | 3 |
| DPDT | ON-OFF-ON | 20 | 10 | 3/4 | BAT | BRASS/NICKEL | NO/NICKEL | SS118-BG ¹ | 4 |
| DPDT | ON-OFF-ON | 20 | | | BAT | BRASS/NICKEL | NO/NICKEL | SS208-16-BG | 6 |
| 3PST | ON-OFF | 15 | 10 | 3/4 @ 250 | BAT | BRASS/NICKEL | NO/NICKEL | SS212S-BG ² | 7 |
| 3PDT | ON-ON | 15 | 10 | 3/4 @ 250 | BAT | BRASS/NICKEL | NO/NICKEL | SS212-BG ² | 8 |
| 3PDT | ON-OFF-ON | 15 | 10 | 3/4 @ 250 | BAT | BRASS/NICKEL | NO/NICKEL | SS212A-BG ² | 8 |
| 4PST | ON-OFF | 15 | 10 | 3/4 @ 250 | BAT | BRASS/NICKEL | NO/NICKEL | SS219S-BG ² | 9 |
| 4PDT | ON-ON | 15 | 10 | 3/4 @ 250 | BAT | BRASS/NICKEL | NO/NICKEL | SS219-BG ² | 10 |
| 4PDT | ON-OFF-ON | 15 | 10 | 3/4 @ 250 | BAT | BRASS/NICKEL | NO/NICKEL | SS220-BG ² | 10 |

*Stated Amperage and voltage also valid for D.C. Rating

² HP 250 VAC/DC; 1 1/2 HP 125 VAC/DC

¹ Separate Female Quick Connect Solderless Insulated Terminals, SF-16, provided with switch when ordered with suffix "BG"

Δ Rated 10 Amps 277 VAC

³ Also rated 1, 2, or 3 phase

continued on page 4

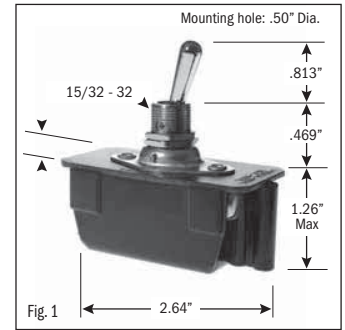


Fig. 1

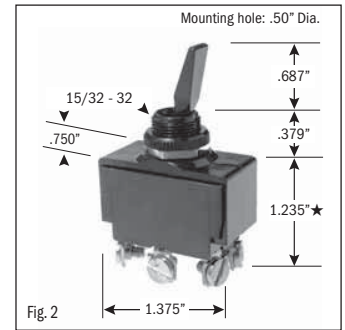


Fig. 2

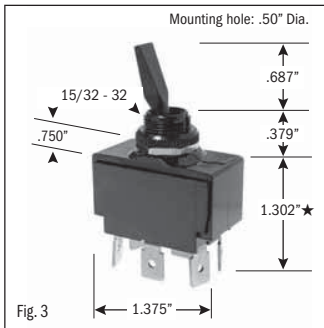


Fig. 3

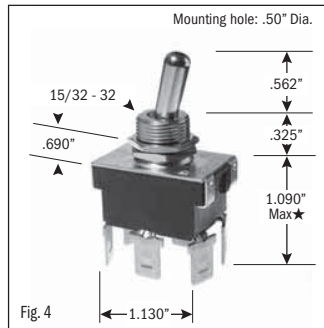


Fig. 4

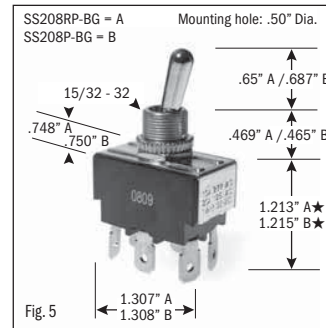


Fig. 5

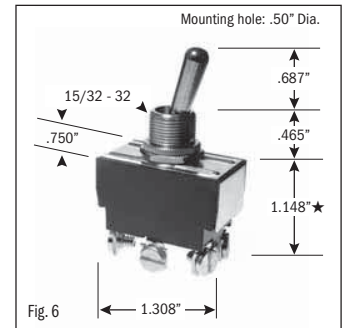


Fig. 6

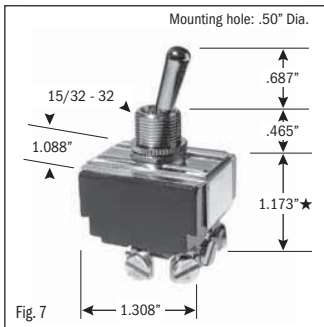


Fig. 7

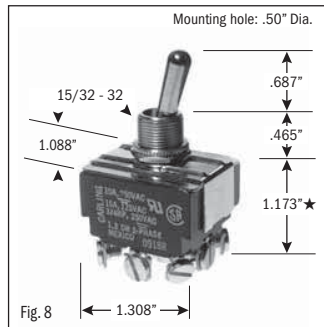


Fig. 8

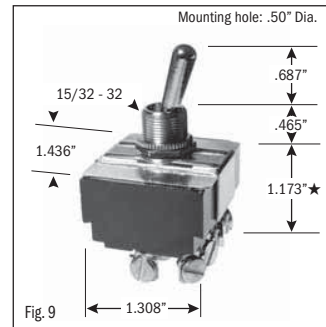


Fig. 9

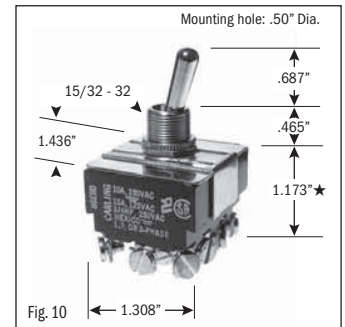


Fig. 10

★ Switch height measurement in Figures above, includes body and terminals combined



All specifications and dimensions are for reference only. If specific information is needed and/or of critical nature, contact Selecta Products headquarters for specific information before ordering.