

Carlon®



T&B Catalog Number: E977JC
UPC Number: 3448106946
Description: 2" PVC conduit clamp.

Status: Active

Features

- Non-metallic clamps offer the same chemical resistance as Carlon® non-metallic conduits for a complete, corrosion resistant system.

Application

- UV inhibited for use in direct sunlight.

General

-Material Non-Metallic

Dimension Information

-Size (inches)	2
-A (mm)	64.5
-B (mm)	89.9
-E (mm)	4
-C (mm)	106.1
-D (mm)	19.3
-F (mm)	26.6
-A (inches)	2.54
-B (inches)	3.54
-C (inches)	4.18
-D (inches)	0.76
-E (inches)	0.16
-F (inches)	1.05
-G (inches)	2.29
-H (inches)	2.49
-J (inches)	0.315

Packaging

-T&B Order Multiple	25
-Package in Units	25
-T&B Sold in UOM	Each
-T&B Weight Per UOM	0.05 lbs. Each

Application Support

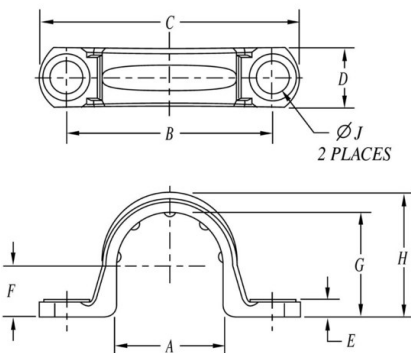
-T&B Sales Drawings	wsd-ac03405
-Cements-Primers & Sealers-Specifica- tions & Applications	Available on Website

Notes

-*Note	To be used in accordance with conduit spacing requirements per NEC, Section 352.30
-**Note	Some clamp applications require 2 screws, 2 nuts and 2 washers.

Certifications

-RoHS Compliance	Yes
------------------	-----



For further technical assistance, please contact us...