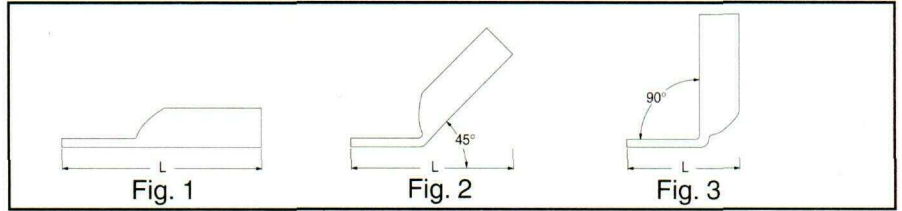


BURNDY

Compression



ONE HOLE HYLUG™ CODE CONDUCTOR LONG BARREL (CONTINUED)



Catalog Number	Fig #	Conductor		Stud Hole Size	Tongue Width	Length (L)	Tongue Angle	Installation Tooling					WIRE STRIP LENGTH	
		AWG	MM ²					Mechanical		Hydraulic		COLOR CODE		DIE INDEX
								MD7-34R	BCT500 Y500CT	Y750-2/Y46C* BAT-750C				
YA25N	1	1/0 AWG	50	1/2"	.81"	3.05"	Straight	W25VT(4)	W25VT (4)	U25RT (2) U2CABT (2)	PINK	12	1-7/16"	
YA25N-45	2					2.79"	45 Degree	W25RT (4)	W25RT (4)					
YA25N-90	3					1.62"	90 Degree	X25RT (4)	X25RT(4)					
YA26	1	2/0 AWG	70	3/8"	.83"	2.77"	Straight	W26VT (4) W26RT (4) X26RT (4)	W26VT (4) W26RT (4) X26RT (4)	U26RT (2)	Black	13	1-9/16"	
YA26-45	2					2.49"	45 Degree							
YA26-90	3					1.22"	90 Degree							
YA26N	1			1/2"		3.21"	Straight							
YA26N-45	2					2.93"	45 Degree							
YA26N-90	3					1.65"	90 Degree							
YA27	1	3/0 AWG	-	1/2"	.91"	3.06"	Straight	W27VT (4) W27RT (4) X27RT (6)	W27VT (4) W27RT (4) X27RT (6)	U27RT (2)	ORANGE	14	1-9/16"	
YA27-45	2					2.78"	45 Degree							
YA27-90	3					1.49"	90 Degree							
YA27-N	1			3.25"		Straight								
YA27-N-45	2			2.97"		45 Degree								
YA27-N-90	3			1.68"		90 Degree								
YA28TC38	1	4/0 AWG	-	3/8"	1.02"	2.98"	Straight	W28VT (4) W28RT (4) X28RT (6)	W28VT (4) W28RT (4) X28RT (6)	U28RT (2)	Purple	15	1-11/16"	
YA28TC38-45	2					2.68"	45 Degree							
YA28TC38-90	3					1.29"	90 Degree							
YA28	1			1/2"		3.23"	Straight							
YA28-45	2					2.93"	45 Degree							
YA28-90	3					1.54"	90 Degree							
YA28-N	1			3.41"		Straight								
YA28-N-45	2			3.12"		45 Degree								
YA28-N-90	3			1.73"		90 Degree								
YA29	1			250 kcmil		120	1/2"	1.11"	3.26"					Straight
YA29-45	2	2.99"	45 Degree											
YA29-90	3	1.58"	90 Degree											
YA29-N	1	3.45"	Straight											
YA29-N-45	2	3.18"	45 Degree											
YA29-N-90	3	1.76"	90 Degree											
YA30	1	300 kcmil	150	1/2"	1.20"	3.69"	Straight	W30VT (4)	W30VT (4) W30RT (4)	U30RT (4) U28ART (4)	White	17	2-1/16"	
YA30-45	2					3.31"	45 Degree							
YA30-90	3					1.61"	90 Degree							
YA30-N	1					3.88"	Straight							
YA30-N-45	2					3.50"	45 Degree							
YA30-N-90	3					1.80"	90 Degree							
YA31	1	350 kcmil	-	1/2"	1.29"	3.73"	Straight	W31VT (4)	W31VT (4) W31RT (4)	U31RT (4) U29ART (4)	Red	18	2-1/16"	
YA31-45	2					3.36"	45 Degree							
YA31-90	3					1.65"	90 Degree							
YA31-N	1					3.92"	90 Degree							
YA31-N-45	2					3.55"	90 Degree							
YA31-N-90	3					1.84"	90 Degree							
YA32N	1	400 kcmil	-	1/2"	1.38"	4.09"	Straight	W32VT (4)	W32VT (4) W32RT (4)	U32RT (4) U30ART (4)	Blue	19	2-3/16"	
YA32N-45	2					3.71"	45 Degree							
YA32N-90	3					1.88"	90 Degree							
YA32	1			5/8"		4.15"	Straight							
YA32-45	2					3.77"	45 Degree							
YA32-90	3					1.95"	90 Degree							

C-15

* Use P-UADP-1 adapter with "U" dies in Y46 HYPRESS™.
 ** P-RT die sets for use in Y46 HYPRESS™ only, P-UADP-1 adapter not required.
 ▲ See tooling section of this catalog for complete tool and die listings. Use ONLY color coded die recommendations for "-FX" connectors. For nest/indenter system contact factory.
 • Available undrilled. Add suffix "U" to catalog number. (Example: YA25U).
 ◆ For applications greater than 2000 Volts consult cable manufacturer for voltage stress relief instructions.

BURNDY

Compression

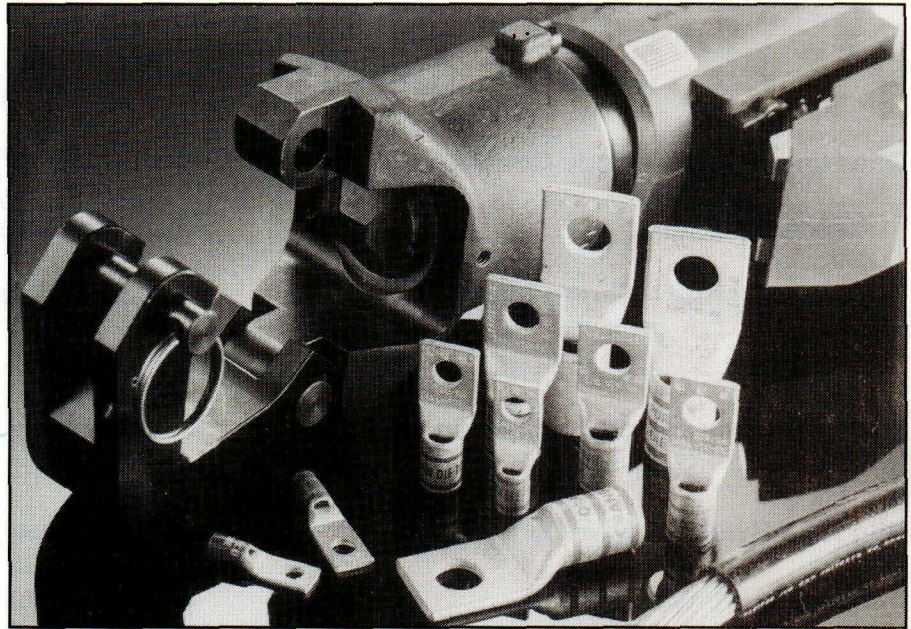


INTRODUCTION

MEDIUM AND LARGE HYDENT™

Copper and aluminum compression terminals and splices for terminating conductors from #8 AWG through 2000 kcmil.

The medium and large HYDENT™ line is designed for terminating and splicing medium and large conductors in electrical power applications.



C-1

HYLUG™

UNINSULATED COPPER COMPRESSION TERMINALS

UL LISTED 90°C,
600 VOLT TO 35kV ♦

BURNDY's HYLUG™ terminals, types YA, YA-TC, YA-L, YA-L-TC, YA-2N, YA-2TC, YA-L-TC-FX, YA-L-2TC and YA-2LN are designed for terminating copper conductors in a wide variety of electrical connections, including heavy-duty industrial, utility, commercial and telecommunications applications.

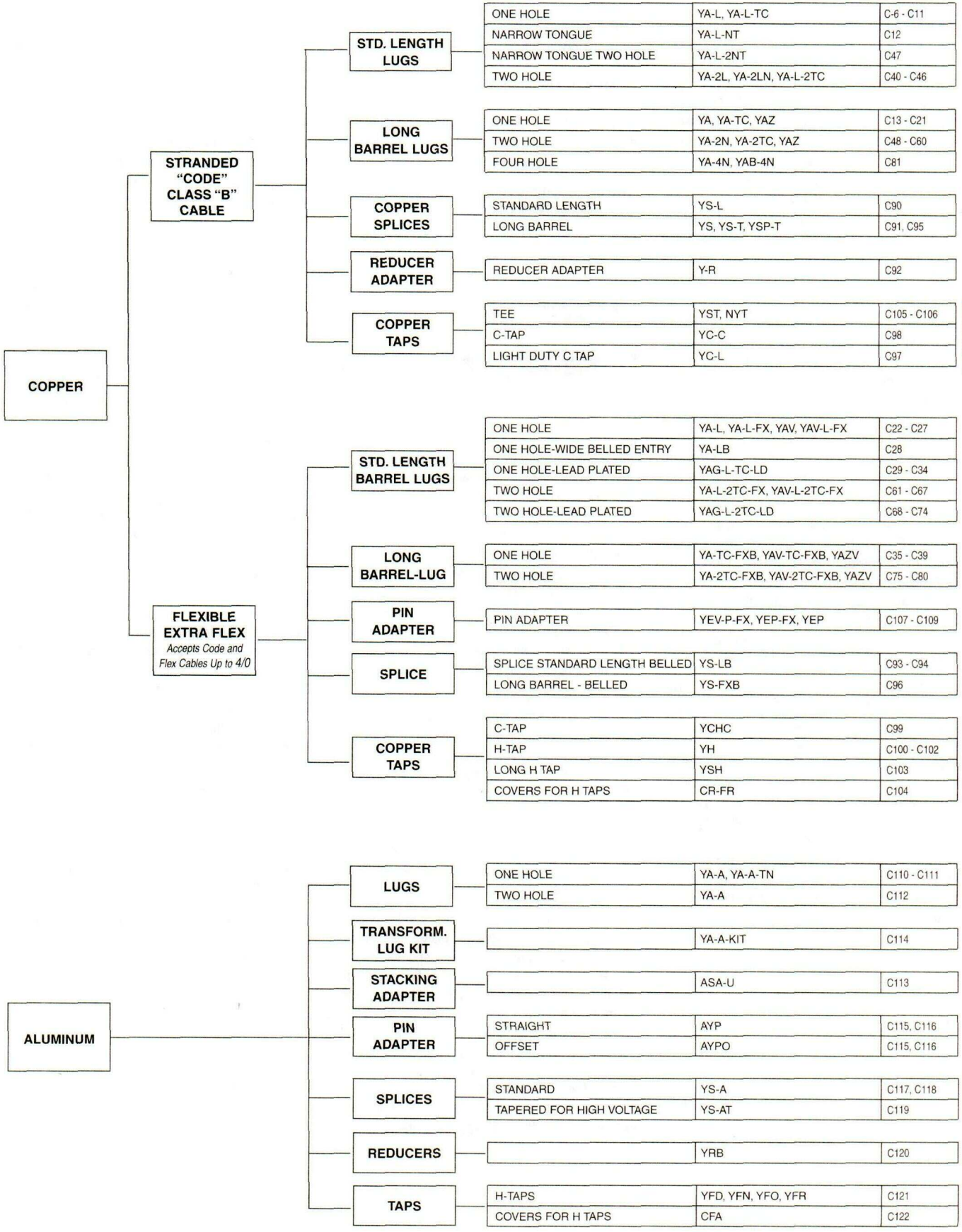
The HYLUG™ terminals require simple cable preparation for an easily installed permanent and inspectable cable termination. The terminals are listed by UL (UL STD.486A) and CSA certified to 600 volt, when applied with the proper tool and die combination. The terminals may be used in applications to 35KV. See each catalog page for UL 35kV listings.

Features and Benefits

- Manufactured from seamless high conductivity electrolytic copper tubing with heavy duty wall thickness.
 - ◊ Provides maximum conductivity, low resistance and ductility for an excellent combination of electrical and crimp forming properties.
- Barrel diameter closely matches commercial (code) cable and navy cable diameters.
 - ◊ Provides an excellent relationship of the conductor/connector combination to produce a high quality electrical connection with the recommended tooling.
- Electro-tin plated. Electro-lead plated. Burndy's proprietary brite finish.
 - ◊ Provides durable long-lasting corrosion resistance.
- Internally beveled barrel end.
 - ◊ Provides easy cable insertion.
- Each connector is clearly marked with the wire size and type, die index, and color coding.
 - ◊ Provides easy identification and proper tooling recommendation.
- Marked with the proper number and location of crimps.
 - ◊ Lowers installed costs. Provides for proper installations.
- Proper compression systems forms a homogeneous mass.
 - ◊ The result is an excellent electrical connection.
- Use up to 35KV as indicated.
 - ◊ Suitable for high voltage applications.
- Expanded wire ranges when using Y644 HYPRESS™ Dieless "1" Crimp.
 - ◊ Provides ability to complete emergency repairs when connector and wire size do not match.
- Crimp areas clearly marked.
 - ◊ Provides correct number and location of crimps for proper installation.
- Hydraulic and Battery tooling crimp embossment.
 - ◊ Provides permanent die index number embossment on completed crimp for inspection purposes.

BURNDY

Compression



ONE HOLE	YA-L, YA-L-TC	C-6 - C11
NARROW TONGUE	YA-L-NT	C12
NARROW TONGUE TWO HOLE	YA-L-2NT	C47
TWO HOLE	YA-2L, YA-2LN, YA-L-2TC	C40 - C46

ONE HOLE	YA, YA-TC, YAZ	C13 - C21
TWO HOLE	YA-2N, YA-2TC, YAZ	C48 - C60
FOUR HOLE	YA-4N, YAB-4N	C81

STANDARD LENGTH	YS-L	C90
LONG BARREL	YS, YS-T, YSP-T	C91, C95

REDUCER ADAPTER	Y-R	C92
-----------------	-----	-----

TEE	YST, NYT	C105 - C106
C-TAP	YC-C	C98
LIGHT DUTY C TAP	YC-L	C97

ONE HOLE	YA-L, YA-L-FX, YAV, YAV-L-FX	C22 - C27
ONE HOLE-WIDE BELLED ENTRY	YA-LB	C28
ONE HOLE-LEAD PLATED	YAG-L-TC-LD	C29 - C34
TWO HOLE	YA-L-2TC-FX, YAV-L-2TC-FX	C61 - C67
TWO HOLE-LEAD PLATED	YAG-L-2TC-LD	C68 - C74

ONE HOLE	YA-TC-FXB, YAV-TC-FXB, YAZV	C35 - C39
TWO HOLE	YA-2TC-FXB, YAV-2TC-FXB, YAZV	C75 - C80

PIN ADAPTER	YEV-P-FX, YEP-FX, YEP	C107 - C109
-------------	-----------------------	-------------

SPLICE STANDARD LENGTH BELLED	YS-LB	C93 - C94
LONG BARREL - BELLED	YS-FXB	C96

C-TAP	YCHC	C99
H-TAP	YH	C100 - C102
LONG H TAP	YSH	C103
COVERS FOR H TAPS	CR-FR	C104

ONE HOLE	YA-A, YA-A-TN	C110 - C111
TWO HOLE	YA-A	C112

TRANSFORM. LUG KIT	YA-A-KIT	C114
--------------------	----------	------

STACKING ADAPTER	ASA-U	C113
------------------	-------	------

STRAIGHT	AYP	C115, C116
OFFSET	AYPO	C115, C116

STANDARD	YS-A	C117, C118
TAPERED FOR HIGH VOLTAGE	YS-AT	C119

REDUCERS	YRB	C120
----------	-----	------

H-TAPS	YFD, YFN, YFO, YFR	C121
COVERS FOR H TAPS	CFA	C122



COMPRESSION CONNECTORS

Burndy's compression connectors are designed for reliable and controllable electrical connections. The complete installation is fully inspectable. They are high conductivity copper and operate cooler than the wire on which they are installed. The connectors withstand a wide range of electrical and environmental conditions, including current surges, temperatures, corrosion and vibrations, for a wide variety of applications. These features mean a consistently high quality connection at a low installed cost.

Copper compression connectors are manufactured from high-conductivity electrolytic copper. The connectors are normally tinned, lead-plated, or plated with proprietary Burndy brite finish to provide durable long-lasting corrosion resistance. The connector design has been matched to the cable size to provide the necessary physical strength requirements for reliable electrical performance.

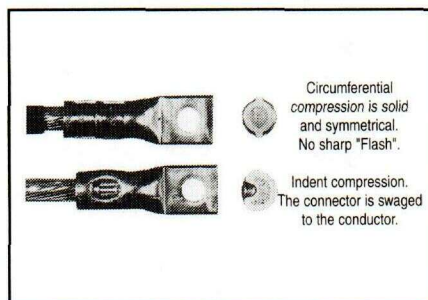
Aluminum compression connectors are manufactured from high conductivity, high purity wrought aluminum. They are designed with sufficient mass and are electro-tin plated to minimize corrosion due to galvanic action between dissimilar metals. The connector barrels are pre-filled with PENETROX, Burndy's oxide inhibiting compound.

PENETROX contains homogeneously suspended metallic particles which penetrate the wire's oxides to establish excellent continuity between the individual strands and the connector barrel for a low-resistance connection. PENETROX maintains an air-tight connection. Each barrel end is covered with a color-coded plastic dust cap which prevents foreign matter from entering the connector before it is used. The connector design has been engineered to match the cable size to provide the necessary physical strength requirements for reliable electrical performance.

SELECTION AND USE

Copper compression connectors are recommended for use on copper conductors. Aluminum compression connectors are recommended for use on aluminum conductors. Dual-rated aluminum compression connectors may be used on both copper and aluminum conductors.

Two basic compression designs are available: Circumferential and indent.



After compression, virtually all the air is removed leaving a tight homogeneous mass of connector and conductor.

The circumferential crimp design is recommended for color coded connectors in low and high voltage applications. Die index number embossment provides an easy inspection where required to verify the use of the proper connector/die combination. It is also recommended for insulated connectors and for terminating flexible and welding cables.

The circumferential crimp design dies compress cable strands into polygonal shapes forming intimate contact with each other and the connector barrel. This compression forms a tight homogeneous mass with virtually no air pockets. The circumferential crimp provides an excellent electrical connection with high pull-out values. The circumferential crimp is ideal for high voltage applications leaving the connector barrel symmetrical, which is easier to insulate.

The indent type crimp can be used in virtually any application except polyvinylchloride (PVC) insulated terminals and splices. It is an excellent means of terminating flexible, extra flexible and welding cables. The indenter compresses the cable strands to form intimate contact with each other and the connector barrel. The result is an excellent electrical connection with high pull-out strength. Laboratory work testing curves established the proper depth and shape of indent for each type of connector and wire combination.

TOOLING

Tooling systems are essential for proper installation of a compression connector. Since connectors and dies are designed as a unit for specific wire sizes, only the recommended tools and dies should be used. Most aluminum and copper HYLUG terminals and HYLINK splices are marked with a die index number and are color-coded to identify the correct installation die. Dies marked with the matching die index number and color can be used to install the connector.

Burndy tooling installs a wide range of connectors, is reliable, cost effective, and precision engineered for durable, long-lasting service and quality connections. The tools include small plier types, full cycle ratchet designs and hydraulically-powered HYPRESS heads and new Battery Actuated Tools. Some have permanent die grooves or adjustable dies, while others require a change of die sets or nest die for each connector size. Burndy's recommended tools achieve crimp performance consistent with UL and other industry standards. Since several tools are suitable for most connectors, the most economical and practical tool can be chosen for each application.

INDUSTRY STANDARDS

Burndy's compression terminals, splices and tap connectors requiring third party testing and approval are listed by Underwriters' Laboratories, Inc. Many have also received CSA approval and are approved under MIL-T-7928 and other military standards. All conform to applicable sections of the National Electrical Code.

Burndy also offers connectors and splices which meet the (LOCA Seismec and Aging) requirements of IEEE standards 323, 383 and 344 for class 1E critical circuits for use in Nuclear Utility Applications. Certification to 10CFR50 and 10CFR21 available.

Detail catalog listings should be consulted to obtain the appropriate standards for each connector and splice.

BURNDY

Compression

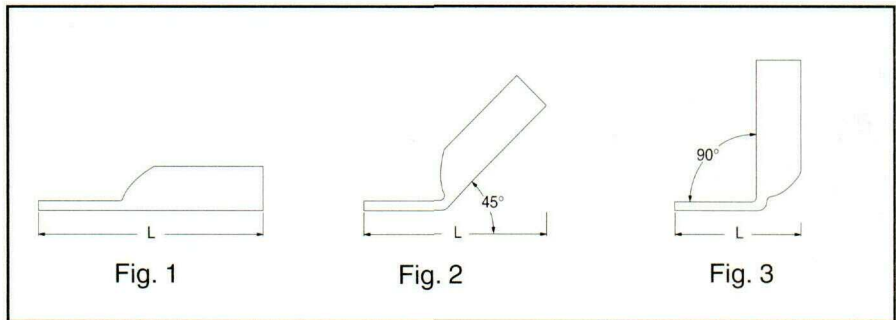
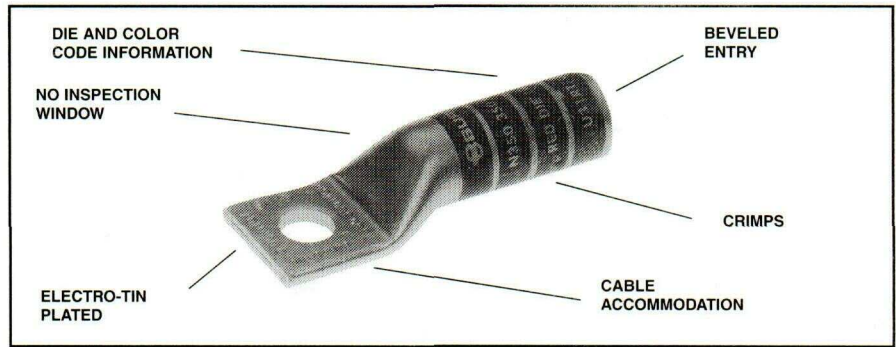


ONE HOLE HYLUG™ CODE CONDUCTOR LONG BARREL

TYPES YA, YA-TC

UNINSULATED COPPER COMPRESSION TERMINAL

UL LISTED 90°C,
600 VOLTS TO 35 KV ◆



C-13

Catalog Number	Fig #	Conductor		Stud Hole Size	Tongue Width	Length (L)	Tongue Angle	Installation Tooling					WIRE STRIP LENGTH
		AWG	MM ²					Mechanical		Hydraulic			
								MD7-34R		BCT500 Y500CT	Y750-2/Y46C* BAT-750C	COLOR CODE	
YA8C-TC10	1	#8 AWG	10	# 10	.38"	1.57"	Straight	W8CVT (2) W8CRT (2) X8CRT (2)	X8CRT (2) W8CVT (2) W8CRT (2)	U8CRT (2)	Red	49	1"
YA8C-TC10-45	2					1.46"	45 Degree						
YA8C-TC10-90	3					.68"	90 Degree						
YA8C-TC14	1	#8 WELD	10	1/4"	.41"	1.69"	Straight	W8CVT (2) W8CRT (2) X8CRT (2)	X8CRT (2) W8CVT (2) W8CRT (2)	U8CRT (2)	Red	49	1"
YA8C-TC14-45	2					1.57"	45 Degree						
YA8C-TC14-90	3					.86"	90 Degree						
YA8C-TC38	1	37/24 #6 SOL	10	3/8"	.58"	1.88"	Straight	W8CVT (2) W8CRT (2) X8CRT (2)	X8CRT (2) W8CVT (2) W8CRT (2)	U8CRT (2)	Red	49	1"
YA8C-TC38-45	2					1.71"	45 Degree						
YA8C-TC38-90	3					1.04"	90 Degree						
YA6C-TC10	1	#6 AWG	-	# 10	.41"	1.89"	Straight	W5CVT (2) W5CRT (2) X5CRT (2) X8CART (2)	W5CVT (2) W5CRT (2) X5CRT (2) X8CART (2)	U5CRT (2) U8CABT (2)	Blue	7	1-3/16"
YA6C-TC10-45	2					1.72"	45 Degree						
YA6C-TC10-90	3					.75"	90 Degree						
YA6C-N	1	#6 AWG	-	1/2"	.83"	2.64"	Straight	W5CVT (2) W5CRT (2) X5CRT (2) X8CART (2)	W5CVT (2) W5CRT (2) X5CRT (2) X8CART (2)	U5CRT (2) U8CABT (2)	Blue	7	1-3/16"
YA6C-N-45	2					2.53"	45 Degree						
YA6C-N-90	3					1.52"	90 Degree						
YA6C	1	#6 AWG	-	1/4"	.41"	1.81"	Straight	W5CVT (2) W5CRT (2) X5CRT (2) X8CART (2)	W5CVT (2) W5CRT (2) X5CRT (2) X8CART (2)	U5CRT (2) U8CABT (2)	Blue	7	1-3/16"
YA6C-45	2					1.24"	45 Degree						
YA6C-90	3					.81"	90 Degree						
YA5C	1	#5 AWG	16	1/4"	.44"	1.98"	Straight	W5CVT (2) W5CRT (2) X5CRT (2)	W5CVT (2) W5CRT (2) X5CRT (2)	U5CRT (2)	Blue	7	1-3/16"
YA5C-45	2					1.75"	45 Degree						
YA5C-90	3					.81"	90 Degree						
YA5C-N	1	#5 AWG	16	1/2"	.83"	2.67"	Straight	W5CVT (2) W5CRT (2) X5CRT (2)	W5CVT (2) W5CRT (2) X5CRT (2)	U5CRT (2)	Blue	7	1-3/16"
YA5C-N-45	2					2.55"	45 Degree						
YA5C-N-90	3					1.52"	90 Degree						
YA4C-TC10	1	#4 AWG	-	# 10	.56"	1.94"	Straight	W4CVT (2) W4CRT (2) X4CRT (2)	W4CVT (2) W4CRT (2) X4CRT (2)	U4CRT (2) U6CABT (2)	Gray	8	1-3/16"
YA4C-TC10-45	2					1.94"	45 Degree						
YA4C-TC10-90	3					1.75"	90 Degree						
YA4C	1	#4 AWG	-	1/4"	.56"	1.87"	Straight	W4CVT (2) W4CRT (2) X4CRT (2)	W4CVT (2) W4CRT (2) X4CRT (2)	U4CRT (2) U6CABT (2)	Gray	8	1-3/16"
YA4C-45	2					1.52"	45 Degree						

* Use P-UADP-1 adapter with "U" dies in Y46 HYPRESS™.

** P-RT die sets for use in Y46 HYPRESS™ only, P-UADP-1 adapter not required.

▲ See tooling section of this catalog for complete tool and die listings. Use ONLY color coded die recommendations for "-FX" connectors. For nest/indenter system contact factory.

• Available undrilled. Add suffix "U" to catalog number. (Example: YA25U).

◆ For applications greater than 2000 Volts consult cable manufacturer for voltage stress relief instructions.