

Other Logix5000 Control System Quick Starts

This quick start describes how to add one device on one network in a Logix5000 control system. Typically, though, a Logix5000 control system includes more than one device on one network.

For example, if a Logix5000 control system operates on an EtherNet/IP network, in addition to a controller, power supply, and communication modules, the system might use remote I/O modules, drives, or HMI terminals.

Other quick starts describe how to use different devices on different networks in Logix5000 control systems. For more information, see the Integrated Architecture: Logix5000 Control Systems Quick Starts Quick Reference, publication [IASIMP-QR024](#).

POINT I/O Modules in Device-level Ring or Linear Topology

This publication describes how to use POINT I/O modules in an application using a EtherNet/IP network star topology configuration. It does not describe how to use the I/O modules in a device-level ring (DLR) nor linear topology via a 1734-AENTR adapter module.

For information on how to use POINT I/O modules in a DLR or linear topology, see the EtherNet/IP Embedded Switch Technology Application Guide, publication [ENET-AP005](#).

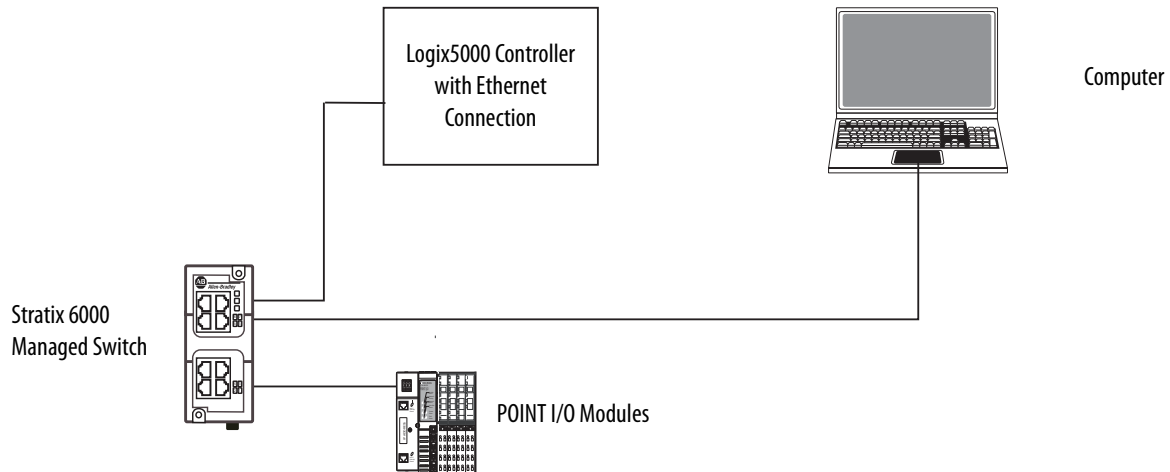
Before You Begin

The beginning of each chapter contains the following information. You should read these sections before beginning work in each chapter:

- **Before You Begin** - This section lists the tasks you must complete before starting the chapter.
- **What You Need** - This section lists the tools that are required to complete the tasks in the chapter.
- **Follow These Steps** - This section illustrates the steps in the current chapter.

How Hardware is Connected

This quick start demonstrates the following possible control system.



Required Software

To complete examples in this quick start, you need the software described in this table.

Software	Version	Required for This Task
RSLogix 5000	20.00.00 or later ⁽¹⁾	Create or change RSLogix 5000 projects to use POINT I/O modules.
BOOTP/DHCP utility	Version automatically installed with RSLogix 5000 software and varies according to that software's version.	Set or change the IP address for 1734-AENT POINT I/O Ethernet adapter.

(1) RSLogix 5000 software, version 20.00.00 or later is required for use of this quick start because the example Logix5000 controller, and associated tasks, described herein are completed in a CompactLogix 5370 L3 control system. CompactLogix 5370 control systems require RSLogix 5000 software, version 20.00.00 or later. If you connect a 1734 POINT I/O module over an EtherNet/IP network in a Logix5000 control system that uses a different controller, the minimum version may differ.