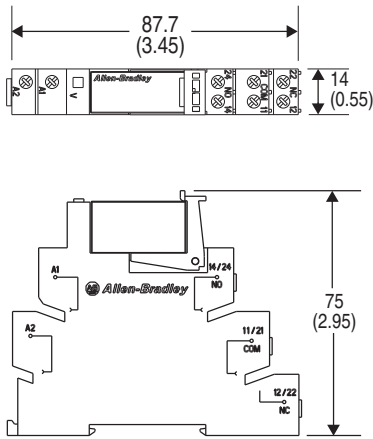
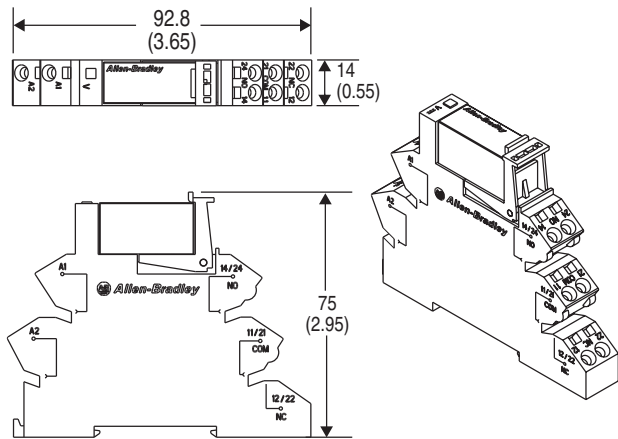


Approximate Dimensions

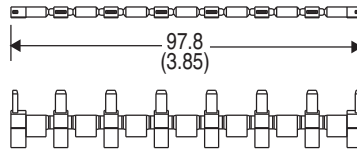
Approximate dimensions are shown in millimeters (inches). Approximate dimensions are not intended to be used for manufacturing purposes.



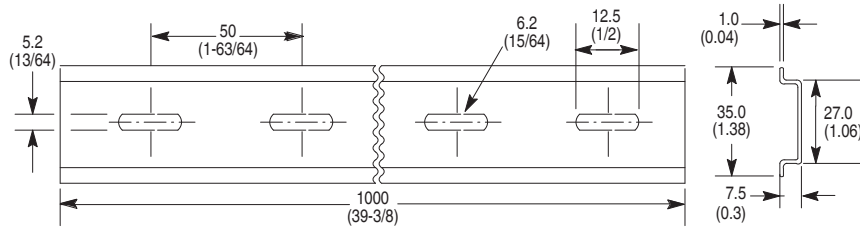
**Bulletin 700-HL Screw Terminal Design**  
 Single Wire: 0.14 mm<sup>2</sup>...2.5 mm<sup>2</sup> (#26 AWG...14 AWG)  
 Double Wire: 2 x 0.14 mm<sup>2</sup>...2 x 1.5 mm<sup>2</sup> (2 x #26 AWG...2 x 16 AWG)  
 Wire Type: Solid or stranded, copper only  
 Strip Length: 9 mm (11/32 in). Torque: 0.5 N•m (4.4 lb•in)



**Bulletin 700-HL Spring Terminal Design**  
 Single Wire: 0.2 mm<sup>2</sup>...2.5 mm<sup>2</sup> (#24 AWG...#14 AWG)  
 Wire Type: Solid or stranded, copper only  
 Strip Length: 9 mm (11/32 in)



Bulletin 700-TBJ08\_ 8-Way Jumper



**Cat. No. 199-DR1 DIN Mounting Rail Series B**  
**Cat. No. 199-DR4 DIN Mounting Rail Series B Has No Mounting Holes**

Cat. No.	A	B	C	D	Approx. Shipping Wt.
199-DR1	35 (1-3/8)	27 (1-1/16)	7.5 (19/64)	1.02 (1/64)	1.85 kg (4.07 lb) (10/pkg)
199-DR4	35 (1-3/8)	27 (1-1/16)	15 (19/32)	2.3 (3/32)	3.68 kg (8 lb) (5/pkg)