

TOGGLE SWITCHES • UTILITY & HEAVY DUTY

.50" MOUNTING HOLE DIAMETER										
POLES & THROWS	CIRCUIT FUNCTIONS	NOMINAL RATING			ACTUATOR STYLE	ACTUATOR MATERIAL	LIGHTED TOGGLE/TOGGLE COLOR	TERMINATION TYPE	CATALOG NUMBER	FIG. NO.
		AMPS 125 VAC	AMPS 250 VAC	H.P. 125-250 VAC						

MAINTAINED CONTACT

DPST	ON-OFF	20*	2^	BAT	BRASS/NICKEL	NO/NICKEL	SCREW	SS627-BG	1
DPDT	ON-ON	15	10	3/4	FLAT	NYLON	NO/BLACK	SS511-BG	2
DPDT	ON-ON	15	10	3/4	FLAT	NYLON	NO/BLACK	.250" SPADE	SS506-BG
DPDT	ON-ON	20	10	3/4	BAT	BRASS/NICKEL	NO/NICKEL	.250" SPADE	SS117-BG ¹
DPDT	ON-ON	20	10 ^Δ	1 1/2	BAT	BRASS/NICKEL	NO/NICKEL	.250" SPADE	SS208RP-BG
DPDT	ON-ON	20			BAT	BRASS/NICKEL	NO/NICKEL	SCREW	SS208R-BG
DPDT	ON-OFF-ON	15	10	3/4	BAT	BRASS/NICKEL	NO/NICKEL	.250" SPADE	SS208P-BG
DPDT	ON-OFF-ON	15	10	3/4	FLAT	NYLON	NO/BLACK	SCREW	SS512-BG
DPDT	ON-OFF-ON	15	10	3/4	FLAT	NYLON	NO/BLACK	.250" SPADE	SS507-BG
DPDT	ON-OFF-ON	20	10	3/4	BAT	BRASS/NICKEL	NO/NICKEL	.250" SPADE	SS118-BG ¹
DPDT	ON-OFF-ON	20			BAT	BRASS/NICKEL	NO/NICKEL	SCREW	SS208-16-BG
3PST	ON-OFF	15	10	3/4 @ 250	BAT	BRASS/NICKEL	NO/NICKEL	SCREW	SS212S-BG ²
3PDT	ON-ON	15	10	3/4 @ 250	BAT	BRASS/NICKEL	NO/NICKEL	SCREW	SS212-BG ²
3PDT	ON-OFF-ON	15	10	3/4 @ 250	BAT	BRASS/NICKEL	NO/NICKEL	SCREW	SS212A-BG ²
4PST	ON-OFF	15	10	3/4 @ 250	BAT	BRASS/NICKEL	NO/NICKEL	SCREW	SS219S-BG ²
4PDT	ON-ON	15	10	3/4 @ 250	BAT	BRASS/NICKEL	NO/NICKEL	SCREW	SS219-BG ²
4PDT	ON-OFF-ON	15	10	3/4 @ 250	BAT	BRASS/NICKEL	NO/NICKEL	SCREW	SS220-BG ²

*Stated Amperage and voltage also valid for D.C. Rating

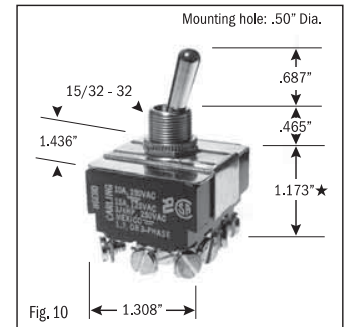
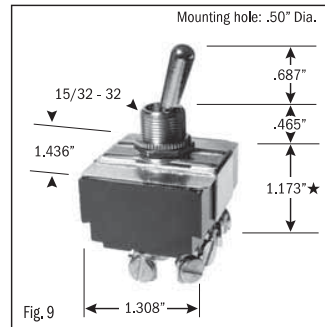
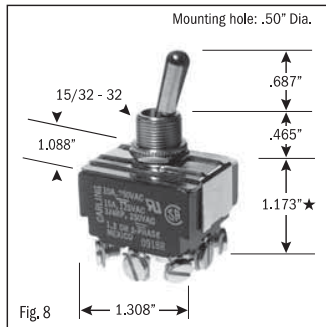
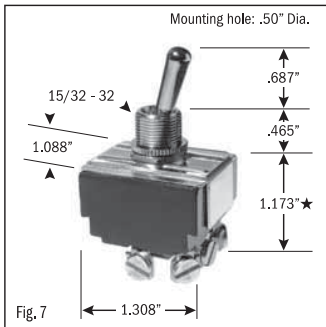
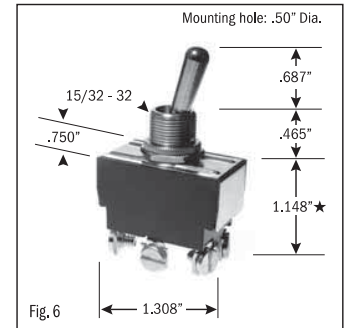
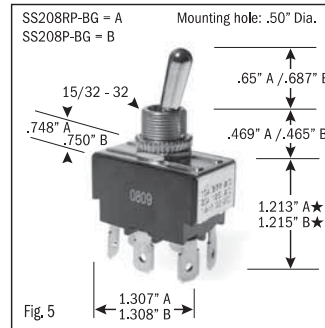
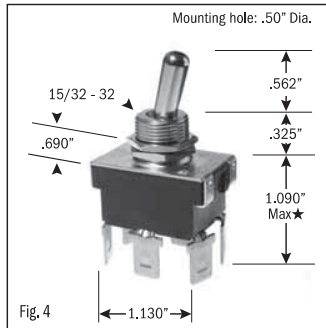
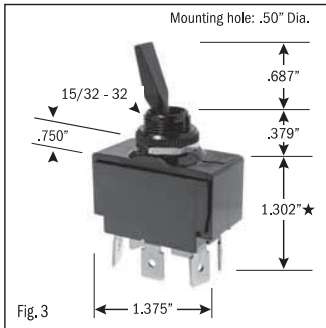
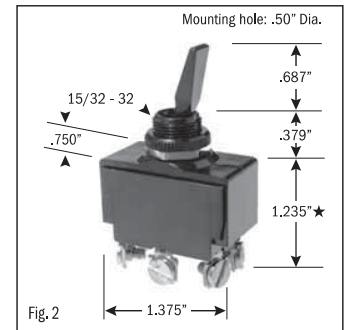
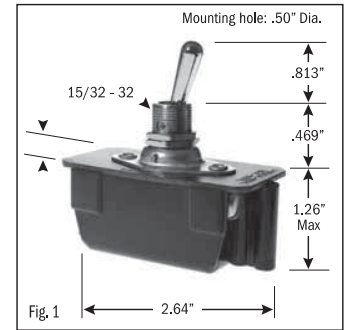
² HP 250 VAC/DC; 1 1/2 HP 125 VAC/DC

¹ Separate Female Quick Connect Solderless Insulated Terminals, ST-16, provided with switch when ordered with suffix "BG"

^Δ Rated 10 Amps 277 VAC

² Also rated 1, 2, or 3 phase

continued on page 4



★ Switch height measurement in Figures above, includes body and terminals combined



All specifications and dimensions are for reference only. If specific information is needed and/or of critical nature, contact Selecta Products headquarters for specific information before ordering.