



# Transformer Product Catalog

power to perform

# TABLE OF CONTENTS

## INTRODUCTION



HPS, The Company.....	2
Transformer Terminology.....	4
Types of Transformers.....	11
General Transformer Construction Features.....	14
Transformer Basics.....	17
Selecting Transformers.....	19
Compliance with Engineering Standards.....	21
Transformer Test Standards.....	21
Quality Management Systems.....	23
HPS Standard Enclosures.....	24
HPS Warranty.....	26

## SECTION 1

### Industrial Control & General Purpose Enclosed Transformers



Control Transformer Quick Selection Charts.....	28
What is a Control Transformer?.....	29
Overcurrent Protection.....	30
<b>HPS Imperator® Machine Tool Industrial Control Transformers</b>	
Features & Benefits.....	34
Selection Tables.....	36
Optional Accessories.....	43
Wiring Schematic Drawings.....	62
<b>HPS Spartan® Industrial Open-Style Core &amp; Coil Control Transformers</b>	
Features and Benefits.....	45
Selection Tables.....	46
Optional Accessories.....	51
Wiring Schematic Drawings.....	73
<b>HPS Fusion™ General Purpose Enclosed Transformer</b>	
Features and Benefits.....	53
Selection Tables.....	54
Optional Accessories.....	59
Wiring Schematic Drawings.....	73
<b>Q Series Enclosed Potted Control Transformer</b>	
Applications, Features and Specifications.....	60
Selection Tables.....	61
Wiring Schematic Drawings.....	282

## SECTION 2

### Buck-Boost Transformers



Why use Buck-Boost Transformers?.....	80
Buck-Boost Transformer Specifications.....	80
Steps for Selecting Buck-Boost Transformers.....	81
Single Phase Selection Tables.....	82
Three Phase Selection Tables.....	85
Single Phase Specification Tables.....	88
Three Phase Specification Tables.....	89
Single Phase Connection Diagrams.....	90
Three Phase Connection Diagrams.....	91
Buck-Boost Transformers - Questions & Answers.....	93



# TABLE OF CONTENTS

## SECTION 3

### Three Phase Line Reactors and DV/DT Filters



Why choose a Line Reactor? .....	98
Construction Features .....	100
<b>HPS Centurion R Reactor</b>	
Specifications.....	101
Part Number Guide and Selection Tables.....	102
Core & Coil Specification Table .....	104
Enclosed Specification Table .....	108
Connection Diagrams .....	122
Termination Details.....	123
Core & Coil Reference Drawings .....	124
<b>RM Series Reactor</b>	
Specifications .....	112
Part Number Guide and Three Phase Selection Tables .....	113
Core & Coil Specification Tables .....	115
Enclosed Specification Tables .....	117
Connection Diagrams .....	122
Termination Details .....	123
Core & Coil Reference Drawings .....	125
<b>RC DV/DT Filter</b>	
Applications .....	119
Specifications.....	120
Part Number Guide and Selection Table .....	121
Core & Coil Reference Drawings .....	126

## SECTION 4

### Drive Isolation Transformers



Description & Applications.....	128
Selecting Drive Isolation Transformers .....	128
<b>Standard Drive Isolation Transformers</b>	
Aluminum and Copper Standard Specifications .....	129
Aluminum Selection Tables .....	130
Copper Selection Tables .....	134
Termination Details .....	139
<b>HPS Tribune™ Energy Efficient Drive Isolation Transformers</b>	
Aluminum and Copper Standard Specifications .....	140
Aluminum Selection Table .....	141
Copper Selection Tables .....	145
Termination Details .....	150
Enclosure Dimensional Drawings .....	264
Accessories .....	276
Electrical Schematics and Connections .....	281

## SECTION 5

### Motor Starting Autotransformers



Description and Applications.....	152
Copper Standard Specifications and Core & Coil Dimensional Drawings .....	153
Copper, Three Phase, 2-Coil Selection Tables .....	154
Copper, Three Phase, 3-Coil Selection Tables .....	155
Optional Thermostats .....	156

## SECTION 6

### Low Voltage Lighting Transformers



Single Phase Applications, Features and Specifications.....	158
Group A Selection Table .....	159
Group B Selection Table.....	159
Group C Selection Table .....	159
Enclosure Dimensional Drawings.....	266

# TABLE OF CONTENTS

## SECTION 7

### Energy Efficient Distribution Transformers



Energy Efficiency Guidelines for the U.S.....	162
Energy Efficiency Guidelines for Canada .....	163
NEMA Premium® Efficiency Transformer Program.....	164
Product Features and Applications.....	165
Energy Efficient Distribution Transformers Product Summary .....	165
<b>HPS Sentinel® - Energy Efficient General Purpose</b>	
Single Phase, Aluminum and Copper Standard Specifications.....	168
Single Phase, Selection Tables.....	169
Three Phase, Aluminum and Copper Standard Specifications.....	172
Three Phase, Selection Tables.....	173
<b>HPS SuperSentinel® Super Energy Efficient General Purpose</b>	
Single Phase, Aluminum and Copper Standard Specifications.....	181
Single Phase, Selection Tables.....	182
Three Phase, Aluminum and Copper Standard Specifications.....	185
Three Phase, Selection Tables.....	186
<b>HPS Synergy® Energy Efficient K-Factor</b>	
K-Factor, Harmonics and Non-Linear Loads.....	193
Aluminum and Copper Standard Specifications .....	196
Three Phase, Selection Tables.....	197
<b>HPS SuperSynergy® Super Energy Efficient K-Factor</b>	
Aluminum and Copper Standard Specifications .....	201
Three Phase, Selection Tables .....	202
<b>HPS Centurion® Energy Efficient Harmonic Mitigating</b>	
600V Class Harmonic Mitigating Transformers .....	206
Three Phase, Aluminum and Copper Standard Specifications .....	208
Three Phase, Selection Tables .....	209
<b>HPS SuperCenturion® Super Energy Efficient Harmonic Mitigating</b>	
Three Phase, Aluminum and Copper Standard Specifications .....	218
Three Phase, Selection Tables .....	219
Enclosure Dimensional Drawings.....	264
Accessories.....	276
Termination Details.....	280
Electrical Schematics and Connections.....	281

## SECTION 8

### Encapsulated Dry-Type Distribution Transformers



<b>HPS Fortress Commercial Encapsulated Transformers</b>	
Applications and Features .....	228
Single Phase, Standard Specifications .....	230
Single Phase, Selection Tables .....	231
Three Phase, Standard Specifications .....	234
Three Phase, Selection Tables .....	235
<b>HPS TITAN Industrial Encapsulated Transformers</b>	
Applications.....	237
Features and Benefits.....	237
Single Phase Standard Specifications.....	238
Single Phase Selection Tables.....	239
Three Phase Standard Specifications.....	241
Three Phase Selection Tables.....	242
Enclosure Dimensional Drawings.....	266
Accessories.....	278
Electrical Schematics and Connections.....	281

# TABLE OF CONTENTS

## SECTION 9 Mini Power Plus



**HPS PowerPlus Mini Power Center**

- Description and Applications ..... 246
- Features and Benefits..... 247
- Single Phase Selection Tables..... 248
- Enclosure Dimensional Drawings ..... 273
- Electrical Schematics and Connections ..... 294

## SECTION 10 Autotransformers



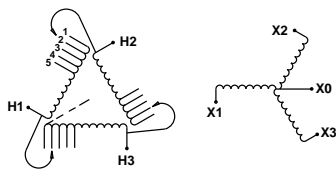
- Description and Applications ..... 250
- Three Phase Standard Specifications..... 250
- Three Phase Selection Tables..... 251
- Enclosure Dimensional Drawings ..... 264
- Accessories ..... 276
- Electrical Schematics and Connections ..... 294

## SECTION 11 General Purpose Medium Voltage Transformers



- Medium Voltage Energy Efficient Guidelines ..... 254
- Energy Efficient Guidelines for the U.S. .... 254
- Energy Efficient Guidelines for Canada ..... 255
- HPS Millennium Energy Efficient Medium Voltage Transformers**
- Medium Voltage Applications and Specifications..... 256
- Single Phase Aluminum Selection Tables..... 257
- Single Phase Copper Selection Tables..... 258
- Three Phase Aluminum Selection Tables ..... 259
- Three Phase Copper Selection Tables ..... 261
- Enclosure Dimensional Drawings ..... 264
- Accessories ..... 276
- Termination Details..... 280
- Electrical Schematics and Connections..... 281

## GENERAL INFORMATION



- Detailed Enclosure Dimensional Drawings..... 264
- Accessories - For General Purpose Transformers ..... 276
- Termination Details..... 280
- Electrical Schematics and Connections..... 281
- Alpha-Numeric Part Number Index..... 297
- HPS Transformer Literature Request Form ..... 320



# INTRODUCTION

<b>HPS, The Company .....</b>	<b>2</b>
<b>Transformer Terminology .....</b>	<b>4</b>
<b>Principles of a Transformer .....</b>	<b>10</b>
<b>Types of Transformers .....</b>	<b>11</b>
<b>General Transformer Construction Features .....</b>	<b>14</b>
<b>Transformer Basics .....</b>	<b>17</b>
<b>Selecting Transformers .....</b>	<b>19</b>
<b>Compliance With Engineering Standards .....</b>	<b>21</b>
<b>Transformer Test Standards .....</b>	<b>21</b>
<b>ISO 9001:2008.....</b>	<b>23</b>
<b>HPS Standard Enclosures .....</b>	<b>24</b>
<b>HPS Transformer Warranty .....</b>	<b>26</b>

# INTRODUCTION

## THE COMPANY

Established in 1917, Hammond Power Solutions Inc. (HPS), is an industry leader in magnetic transformer design and development. With our headquarters in Guelph, Canada, HPS operates out of multiple facilities globally. HPS has expanded its manufacturing and product base to offer the broadest ranges of both standard and specialty transformers

Our engineering experience and capability has resulted in a computer database of over one million transformer designs. We offer the most cost effective, highest quality transformers in order to satisfy your requirements.

There are HPS facilities in Canada, USA, Mexico, Italy and India to service your global needs.

The products featured in this catalog are produced in facilities with the most modern manufacturing processes. All products are available through your local **Authorized HPS Distributor**.



## COMPETITIVE EDGE

North American stand-alone leader for the design and manufacture of standard & custom electrical engineered dry-type transformers.

- Multi-national manufacturing presence
- Multiple channels to market
- Highly regarded for our engineering expertise
- Dominant Supplier in the transformer industry
- Globally recognized and respected

## APPLICATIONS

Offering thousands of standard transformers from 25VA to 5MVA and specials up to 34MVA, HPS can meet the needs of your application.

HPS transformers are suitable for any commercial, industrial, manufacturing or production process application. In addition to conventional indoor applications, our dry-type transformers can be built for outdoor locations, including applications where airborne contaminants pose a risk to electrical equipment.

## CUSTOMER SERVICE

Our inside sales team are available to answer your questions immediately. They are technically trained and are able to answer most questions on the phone. Stock checks, expediting, quotations or technical information are always readily available. Our commitment to customer service means you will be an informed, relaxed and satisfied customer as quickly as possible. Call our Inside Sales team and let us serve you.



# INTRODUCTION

## DESIGN CAPABILITIES

Our history and experience in transformer magnetic design is the very best in the industry. Our extensive testing program, including all qualification tests and short circuit testing, plus an exemplary field service record, ensures that our products not only meet all the standards necessary, but more importantly, fulfill your expectations and requirements.

All HPS designs are cost effective and the transformers are built with modern manufacturing techniques. We particularly emphasize our 'Value Added Engineering' where our design staff will work directly with your team to produce the optimum and cost effective solution for your application. Our fully computerized design and CAD facilities permits quick and effective communication when time is vital.



## A RELIABLE SOURCE

For over 95 years, HPS has continued to grow from a small family business to the industry leader in dry-type transformer technology. Our customers have come to rely on our products and services and continue to depend on us for support at the most critical stages of their need. Our stability and integrity as a supplier are paramount particularly in an industry where demands must be resolved quickly and effectively.



## TECHNICAL SUPPORT

The experienced HPS technical team is available to help you with your application or design questions. Call our regional offices for assistance.

## QUALITY ASSURANCE

HPS has been regarded for its quality since its very inception. With our commitment to 'Excellence' and 'Continuous Improvement', we build value and reliability into every HPS product. We feel that no other transformer company can offer comparable flexibility for service and quality in a full range of products. All our units are designed to meet ANSI, CSA, UL, IEC, RoHS and NEMA standards.





## TRANSFORMER TERMINOLOGY

### Air Cooled

A transformer which uses "air" as the cooling medium. This term is abbreviated with the ANSI designation AA, indicating open, natural draft ventilated construction.

### Ambient Noise Level

The noise level of the surrounding area, measured in decibels (dB).

### Ambient Temperature

The inherent or existing temperature of the atmosphere surrounding a transformer into which its heat is dissipated.

### Ampere

Is the unit of measurement for electric current flow.

### ANSI

American National Standards Institute Inc. - one of the recognized organizations which specifies the standards for transformers.

### Autotransformer

A transformer which has only one winding per phase, part of which is common to both the primary and secondary circuits.

### Banked

Two or more single phase transformers connected together to supply a three phase load.

### BIL

Basic impulse level is a means to express the ability of the insulation system to withstand high voltage surges.

### Buck Boost Transformer

Two-winding, single phase transformer with low voltage secondary windings which can be connected as an autotransformer. Used to raise or lower single and three phase line voltages by 10 - 20%.

### Cast Coil Transformer

Transformer with coils solidly cast in epoxy resin under vacuum in a mold. Also called cast resin or epoxy cast coil transformers.

### Center Tap

A reduced capacity tap at the midpoint in a winding.

### Coil

Turns of electrical grade wire or strip conductor material wound on a form, referred to as a winding.

### Coil Hot-Spot Temperature

The absolute maximum temperature present in the transformer. This number is equal to the sum of the ambient temperature, temperature rise and a variable.  
 $T_{\text{Hot Spot}} = T_{\text{ambient}} + T_{\text{rise}} + (10-20)^{\circ}\text{C}$ .

### Common Mode

Electrical noise or voltage disturbance that occurs between all of the line leads and the common ground, or between the ground plane and either line or the neutral.

### Compensated Transformer

A transformer with a turns ratio which provides a higher than rated voltage at no load and rated voltage at rated load. These transformers CANNOT be used for reverse feed.

### Continuous Rating

The constant load which a transformer can carry its rated primary voltage and frequency, without exceeding its specified temperature rise.

### Control Transformer

A transformer which is designed to supply good voltage regulation characteristics when low power factor or high inrush current is drawn. Sometimes referred to as an Industrial Control Transformer.

### Core

Electrical grade steel laminations which carry the magnetic flux.

### Core Loss

Losses in watts caused by magnetization of the core and its resistance to magnetic flux when excited or energized at rated voltage and frequency. Also referred to as excitation loss or no-load loss.

## Current Transformer

Transformer generally used in control or instrumentation circuits for measuring current.

## Delta Connection ( $\Delta$ )

The delta connection is a standard three phase connection with the ends of each phase winding connected in series to form a closed loop with each phase 120 degrees from the other.

## Delta Wye ( $\Delta Y$ )

Delta wye is a term indicating the primary connected in delta and the secondary in wye when pertaining to a three phase transformer bank or three phase transformer.

## Dielectric Tests

These tests consist of the application of a voltage higher than the rated voltage for a specified time, for the purpose of determining the adequacy against breakdowns of insulating materials and spacings under normal conditions.

## Dry-Type Transformer

A dry-type transformer is one in which the transformer core and coils are not immersed in liquid.

## Dual Winding

A winding consisting of two separate parts which can be connected in series or parallel. Also referred to as dual voltage or series-multiple winding.

## Efficiency

The percentage of power transferred from the input of equipment to the output of equipment in Watts. (power out/ power in x 100)

## Electrostatic Shield

Copper or other conducting material placed between the primary and secondary winding and grounded to reduce electrical interference and to provide additional protection.

## Exciting Current (No-Load Current)

Current which flows in any winding used to excite the transformer when all other windings are open-circuited. It is usually expressed in percent of the rated current of a winding in which it is measured.

## Encapsulated

Transformer with its coils either encased or cast in an epoxy resin or other encapsulating materials.

## FCAN

Full Capacity Above Normal. This designates that a transformer will deliver its rated kVA when connected to a voltage source which is higher than the rated voltage.

## FCBN

Full Capacity Below Normal. Same as FCAN except that the taps are below rated voltage.

## Fan Cooled

A transformer cooled mechanically to maintain its rated temperature rise, typically using auxiliary fans to accelerate heat dissipation.

## Flexible Connection

A non-rigid connection used to reduce transmission of noise and vibration.

## Flux Density

The magnetic field strength in the core, typically measured in Telsa or Gauss.

## Frequency

On AC circuits, designates the number of times the polarity alternates from positive to negative and back again, such as 60 cycles per second. Measured in Hertz.

Full Capacity Tap

A full capacity tap is one through which the transformer can deliver its rated kVA output without exceeding the specified temperature rise.

## Grounding Transformer

A special three phase autotransformer for establishing a neutral on a 3-wire delta secondary. Also referred to as a Zig-Zag transformer.

## Grounds or Grounding

Connecting one side of a circuit to the earth through low resistance or low impedance paths.

## TERMINOLOGY CONTINUED . . .

### Harmonic

A Harmonic is a sinusoidal component of a periodic wave having a frequency that is a multiple of the fundamental frequency. For example, a component whose frequency is twice the fundamental frequency is referred to as the second harmonic, (120 Hz is the 2nd harmonic of 60 Hz).

### Hertz (Hz)

A term for AC frequency in cycles per second.

### High Voltage and Low Voltage Windings

These terms are used to distinguish the winding having the greater voltage rating from that having the lesser in two winding transformers.

### Hi Pot

High potential dielectric test impressed on the windings to check insulation materials and clearances.

### Impedance

The apparent resistance in a circuit to the flow of an alternating current analogous to the actual resistance to a direct current.

### Impulse Test

Dielectric test which determines BIL capability by applying high frequency, steep wave-front voltage between windings and ground.

### Induced Potential Test

A standard dielectric test which verifies the integrity of insulating materials and electrical clearances between turns and layers of a transformer winding.

### Inductance

A property which opposes a change in current flow.

### Inrush Current

High transient current, caused by residual flux in the core, which may be drawn when a transformer is energized.

### Insulating Materials

Those materials used to electrically insulate the transformer's windings; turn-to-turn or layer-to-layer, and other assemblies in the transformer such as the core and busswork.

### Isolation Transformer

A transformer which insulates the primary circuit from the secondary circuit. Also referred to as a two-winding or insulating transformer.

### KVA

Kilovolt ampere rating designates the output which a transformer can deliver for a specified time at rated secondary voltage and rated frequency without exceeding the specified temperature rise. (1 kVA = 1000 VA, or 1000 volt amperes)

### Knockouts

Easily removable circle of metal in an enclosure which eliminates the need for punching holes for conduit.

### Lamination

Thin sheets of special steel used to make the core of a transformer.

### Line Reactor

A device whose primary purpose is to introduce a specific amount of inductive reactance into a circuit, usually to reduce or control current.

### Load

The load of a transformer is the power in kVA or volt amperes supplied by the transformer.

### Load Losses

Losses in a transformer which are incident to load carrying. Load losses include  $I^2R$  loss in the windings due to load current, stray loss due to stray fluxes in the windings, core clamps, etc., and to circulating currents (if any), in parallel windings.

### Mini Power Center

A pre-wired power center that combines primary breaker, secondary power panel, and a dry-type shielded transformer.

### Mid-tap

A reduced capacity tap midway in a winding. Also referred to as a 'Center tap'. Usually in the secondary winding.

## Moisture Resistance

Materials or equipment constructed or treated so that it will not be harmed readily by exposure to a moist atmosphere.

## NEC

National Electric Code

## NEMA

National Electrical Manufacturers Association.

## No-Load Losses (Excitation Losses)

Loss in a transformer which is excited at rated voltage and frequency, but without a load connected to the secondary. No-load losses include core loss, dielectric loss, and copper loss in the winding due to exciting current.

## Overload

When a transformer is overloaded, excessive heat develops and the insulation system begins to breakdown. Life expectancy of the transformer is decreased due to heat exceeding the rating of the insulation system.

## Parallel Operation

Single and three phase transformers may be operated in parallel by connecting similarly marked terminals, provided their ratios, voltages, resistances, reactances and ground connections are designed to permit parallel operation. Current and voltage angular displacements are also required to be the same in the case of three phase transformers.

## Phase

Type of AC electrical circuit, usually single phase 2 wire or 3 wire, or three phase, 3 or 4 wire.

## Polarity

Designates the instantaneous direction of voltages in the primary compared to the secondary.

## Potential (Voltage) Transformer

A transformer generally used in instrumentation circuits for measuring or controlling voltage.

## Power Factor

The relation of watts to volt amps in a circuit.

## Primary Taps

Taps added to the primary winding. (see Taps)

## Primary Voltage Rating

Designates the input circuit voltage for which the primary winding is designed.

## Primary Winding

The primary winding is the winding on the energy input (supply) side.

## Rating

The design characteristics, such as primary and secondary voltage, kVA capacity, temperature rise, frequency, etc.

## Ratio (Voltage)

A reference to either the primary to secondary winding turns ratio or to the voltage ratio of the transformer.

## Ratio Test

A standard test of transformers to determine the ratio of the primary to secondary voltage.

## Reactance

The impedance component due to inductance and/or capacitance.

## Reactor

A single winding device with an air or iron core which produces a specific amount of inductive reactance into a circuit, usually to reduce or control current.

## Rectifier Transformer

A transformer designed to supply AC input to a rectifier to obtain the desired DC output and have the ability to withstand the heating effects caused by rectifier commutation or ripple.

## RCBN - Reduced Capacity Below Normal

Taps which carry full-rated winding current only, thus reducing available power because of lower output voltage.

## Terminology Continued...

### Regulation

Usually expressed as the percent change output voltage when the load goes from full load to no load at a given power factor.

### SCR

A silicon-controlled rectifier.

### Saturation

Saturation is a natural condition in which an increase in current results in a decrease in inductance.

### Scott Connection

Connection for polyphase using two special single phase transformers. Usually used to change from two phase to three phase or three phase to two phase.

### Secondary Voltage Rating

Designates the no-load circuit voltage for which the secondary winding (winding on the output side) is designed.

### Secondary Winding

The transformer winding connected to the load or output side.

### Series/Multiple

A winding consisting of two or more sections which can be connected for series operation or multiple (parallel) operation. Also referred to as dual voltage or series-parallel.

### Short Circuit

A short circuit condition occurs when an abnormal connection or relatively low impedance, whether made accidentally or intentionally, occurs between two points of different potential in a circuit.

### Solid State Device

One which contains components that do not depend on electronic conduction in a vacuum or gas. The electrical function is performed by semiconductors or the use of otherwise completely static components such as resistors or capacitors.

### Step-Down Transformer

A transformer that typically has the output voltage in the secondary (LV) winding lower than the input voltage in the primary (HV) winding.

### Step-Up Transformer

A transformer that typically has the output voltage in the secondary (LV) winding higher than the input voltage in the primary (HV) winding.

### Tap

A tap is a connection brought out of a winding at some point between its extremities, usually to permit changing the voltage or current ratio.

### T-Connection

A Scott connected three phase transformer utilizing two primary and two secondary coils called the main and the teaser.

### Temperature Class

The maximum temperature that the insulation can continuously withstand. Class of insulation system in a transformer, i.e.

Class 105°C

Class 150°C

Class 180°C

Class 220°C

### Temperature Rise

The increase over ambient temperature of the winding due to energizing and loading the transformer.

### Total Losses

The transformer electrical losses which include no-load losses (core losses) and load losses (winding losses).

### Transformer

A static electrical device which by electromagnetic induction transforms energy at one voltage and current to another voltage and current at the same frequency.

## Transient

A temporary or brief change in a given parameter. This is typically associated with input voltage or output load parameters.

## Transformer Tests

Normal, routine production tests include: (1) core loss; (2) load loss - winding or copper loss; (3) impedance; (4) hi-pot - high voltage between windings and ground; (5) induced - double induced two times voltage. Optional special tests include: (a) heat run - temperature testing; (b) noise tests - sound level measurement; (c) impulse tests - BIL tests; (d) partial discharge.

## Transverse Mode

Electrical noise or voltage disturbance that occurs between phase and neutral (between lines), or from spurious signals across the metallic hot line and the neutral conductor.

## UL

Underwriters Laboratories

## VPI Impregnation

A vacuum and pressure impregnation process using a resin which is then oven cured to completely seal and protect the surface of a transformer and provides a strong mechanical bond. This process is standard on all HPS transformer products.

## Voltage Regulation

The change in secondary voltage which occurs when the load is reduced from rated value to zero, with the value of all other quantities remaining unchanged. Regulation may be expressed in percent (per unit) on the basis of rated secondary voltage at full load.

## Volt-Amperes (VA)

The current flowing in a circuit multiplied by the voltage of the circuit. An expression of the output rating of a transformer.

## Wye Connection

A standard 3-wire transformer connection with similar ends of the single phase coils connected. This common point forms the electrical neutral point and may be grounded.

## Zig Zag Connection

Special transformer connection commonly used in grounded transformers. See also grounding transformers.

## WHAT IS A TRANSFORMER?

A transformer is an electrical device which converts alternating current from one voltage to another. It can be designed to increase or decrease voltages and works on the magnetic induction principle. A transformer has no moving parts and is a completely static, solid state device, which insures under normal operating conditions, a long and trouble-free life. A transformer consists of two or more coils of insulated wire wound on a laminated steel core. When voltage is introduced into one coil (called the primary), it magnetizes the iron core. As a result, a voltage is induced into the secondary, or output coil. The change of voltage (voltage ratio) between the primary and secondary depends on the turns ratio of the two coils.

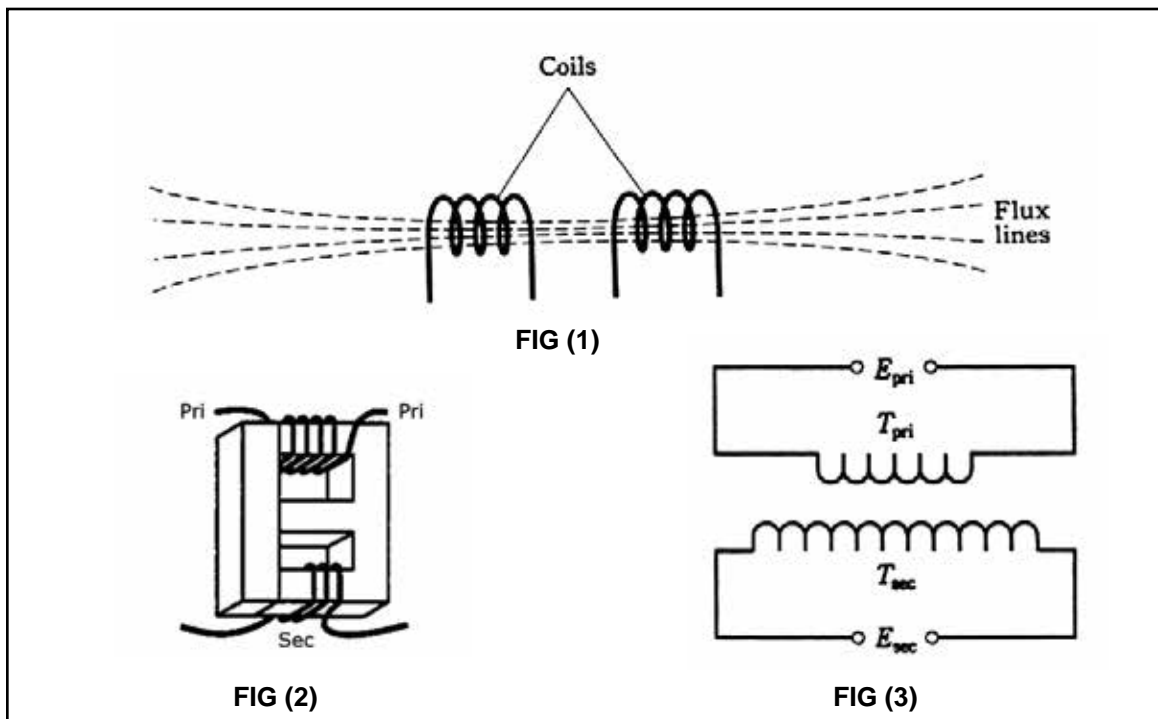
## WHAT DOES A TRANSFORMER DO?

### Principle of Operation

A transformer operates on the principle of magnetic induction. Each transformer consists of two or more coils of insulated conductor (wire) wound on a laminated steel core. When a voltage is supplied to the PRIMARY (input) coil, it magnetizes the steel core, which in turn induces a voltage on the SECONDARY (output) coil. The voltage induced from the primary to the secondary coils is directly proportional to the turns ratio between the two coils. (FIG 1)

For example, if a transformer's input, or primary leg has twice as many turns of wire as the secondary, then the ratio would be 2:1. Therefore, if you applied 480 volts to the primary, 240 volts would be induced in the secondary. This is an example of a two winding "step-down" transformer. (FIG 2) If the application requires the voltage to be increased (stepped-up), then the input side may be for example 240 volts and the output 480 volts. (FIG 3)

HPS does NOT recommend the back-feeding of HPS transformers. Reverse feeding HPS transformers may result in technical issues and safety aspects that could be easily avoided by using a transformer specifically designed for the required step-up application. Back-feeding may also void the HPS product warranty. Transformers rated 2 kVA and below have compensated windings and should not be used in reverse feed applications.



## TYPES OF TRANSFORMERS

Dry-type transformers are manufactured in a variety of ways to meet the requirements of different applications. The following is a list of transformer types found in this catalog with a brief explanation.

### Industrial Control and General Purpose Enclosed Transformers - (see Section 1)

A control transformer is an isolation transformer designed to provide a high degree of secondary voltage stability (regulation) during a brief period of overload condition (also referred to as "Inrush Current"). Control transformers are usually rated for 600 volts or less.

### Buck-Boost Transformers - (see Section 2)

Buck-Boost transformers are control transformers with low voltage secondary windings. By field connecting the primary and secondary windings in an autotransformer configuration, they offer an economical solution to the adjustment of line voltages that are slightly above or below normal.

Buck-Boost transformers can be used to adjust **stable voltages only**. Fluctuating line voltages should be regulated with a Voltage Conditioner.

### Reactors - (see Section 3)

#### Air Core:

They are used primarily as current or voltage limiting devices, particularly where large currents can enter a system that uses small amounts of power. An example is the telephone system which uses very small voltages where the current in a fault condition needs to be kept to a minimum.

#### Iron Core:

An iron core reactor provides the same current or voltage control on a system as its air core counterpart. Iron core units tend to be used on smaller applications where the variables need greater or more sensitive control.

### Drive Isolation Transformers - (see Section 4)

Drive isolation transformers are designed to supply power to AC and DC variable speed drives. The harmonics created by SCR type drives requires careful designing to match the rated hp of each drive system. The duty cycle included is approximately one start every 2 hours. The windings are designed for an overcurrent of 150% for 60 seconds, or 200% for 30 seconds.

### Motor Starting Autotransformers - (see Section 5)

Motors have a large inrush current component that requires a special design. Motor starting autotransformers are designed to withstand an inrush of upwards of 25 times normal current. Typically, they are tapped on larger sizes to soft-start the motor until it is up to full RPM.

### Low Voltage General Purpose Transformers - (see Section 6)

HPS low voltage general purpose transformers provide a safe, long lasting, highly reliable power source. They are designed for general lighting and other low voltage applications. They are UL listed and CSA certified.



## Types of Transformers continued...

### **Energy Efficient Transformers - (see Section 7)**

There is a growing movement in the electrical industry towards energy efficient products in all sectors including dry-type transformers. In addition to the benefits to the environment, energy efficient transformers also can realize substantial savings in operating costs thereby having a direct impact on the initial investment evaluated over a period of time.

The standards covering 600 volt class energy efficiency in dry-type transformers in North America are outlined in DOE 10 CFR Part 431, "Energy Conservation Program for Commercial Equipment: Distribution Transformers Energy Conservation Standards; Final Rule". These specifications have carefully considered the total owning cost unique for industrial or commercial installations where the load factor is an integral part of the efficiency rating.

#### **Energy Efficient General Purpose Transformers**

The HPS Sentinel® energy efficient general purpose transformers are designed for linear loads and are most frequently used for applications such as commercial buildings which will supply a variety of general loads.

#### **Energy Efficient K-Factor Transformers**

The HPS Synergy® energy efficient k-factor transformers are designed to tolerate heating due to harmonics associated with non-linear loads. Harmonics can indicate their presence in a number of ways: overheating, device malfunctions, telephone interference, equipment vibration and breakers tripping.

#### **Energy Efficient Harmonic Mitigating Transformers**

The HPS Centurion® energy efficient, harmonic mitigating transformer with zero sequence flux cancellation technology is specifically designed to treat the harmonics generated by computer equipment and other non-linear, power electronic loads. Combining zero sequence flux cancellation with phase shifting treats 3rd, 5th, 7th, 9th, 15th, 17th and 19th harmonics within its secondary windings. Typical applications of severe non-linear loading conditions include data centers, internet-service providers, telecom sites, call centers, broadcast centers, etc.

### **Encapsulated (Potted) Transformers - (see Section 8)**

HPS offers two complete lines of encapsulated transformers to meet both a commercial and industrial environment. These units are encapsulated and completely enclosed.

#### **Encapsulated Transformers for Commercial Use**

The Fortress™ is designed to provide the ideal solution for commercial applications. All units are encapsulated with electrical grade silica sand and resin compounds, which completely enclose the core and coil to seal out moisture, airborne contaminants and eliminates corrosion and deterioration.

#### **Encapsulated Transformers for Harsh Environments and Hazardous Locations**

The HPS Titan® design is especially suited for installations in harsh environments and hazardous locations which may contain dangerous gasses, liquids, dust, lint, moisture and where corrosive contaminants are present. Typical applications include: institutional, commercial, industrial, petrochemical, pulp and paper; food processing, mines, marine and shipboard installations. They are designed to meet both UL Standard 1604 entitled "Electrical Equipment for use in Class I and Class II, Division 2 and Class III Hazardous (Classified) Locations" and ABS Type Approval for "Marine Duty Service and Offshore Applications - Electrical Distribution and Propulsion".

### **Mini Power Centers - (see Section 9)**

HPS power centers are conveniently pre-wired to save you time, money, and space. They're designed ideally for industrial locations, temporary power at construction sites, commercial buildings, test equipment, plant assembly lines, etc.

## Types of Transformers continued...

### Autotransformers - (see Section 10)

Autotransformers are similar to Buck-Boost transformers in that they are also an economical means of adjusting output voltage. Autotransformers are designed to adjust the supply voltage when isolation from the line is not necessary and where local electrical codes permit. Units are designed in either a step-up or step-down application and meet motor inrush currents.

### Energy Efficient Medium Voltage Distribution Transformers - (see Section 11)

As of January 1st, 2010, all dry-type medium voltage distribution transformers manufactured or imported into North America must comply with the new DOE 10 CFR Part 431/NRCan standards. These standards were put in place to reduce additional energy consumption, as well as reduce greenhouse gases.

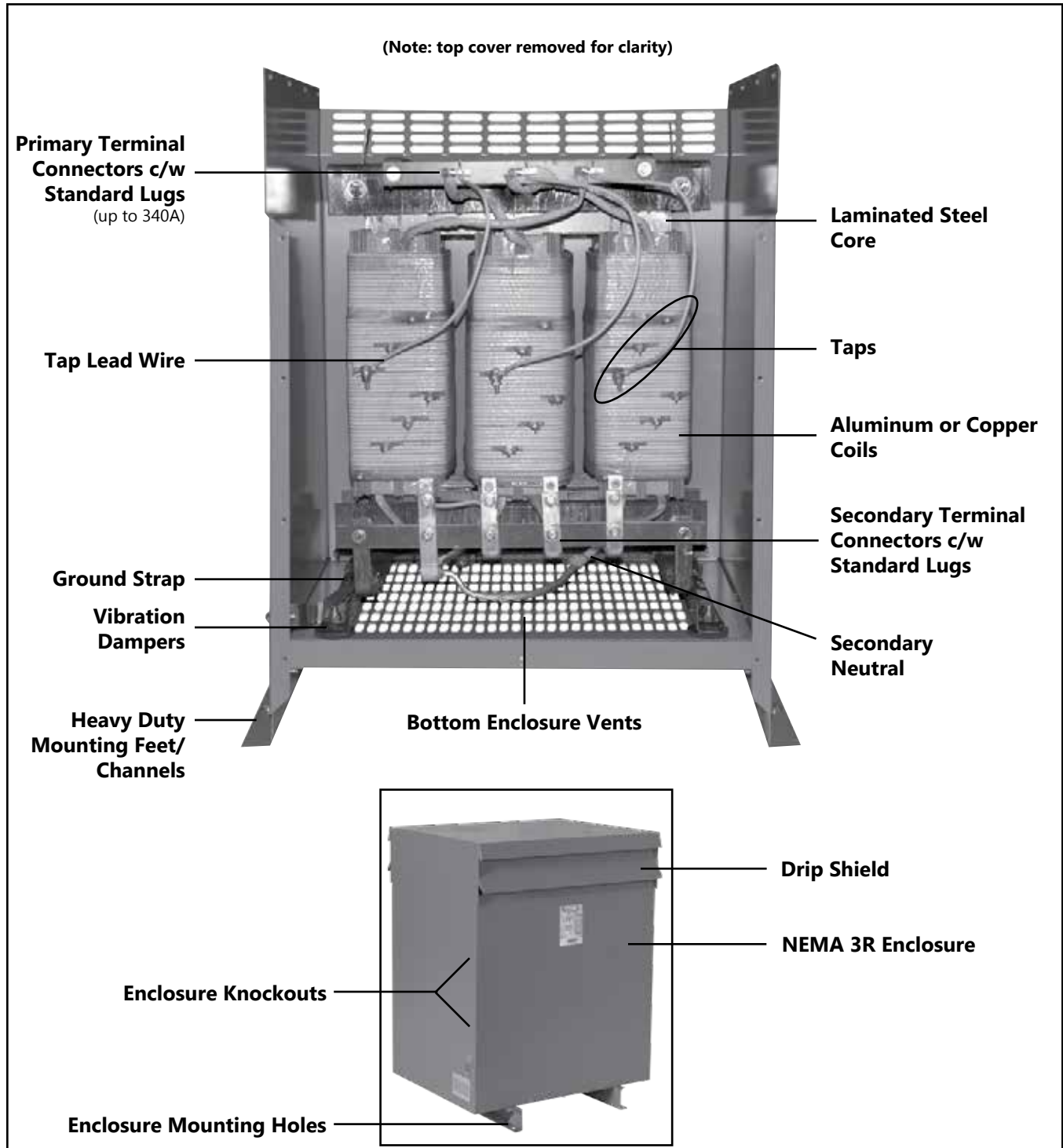
HPS Millennium™ transformers are really 5kV class dry-type energy efficient distribution transformers. They are designed primarily for use in stepping down medium voltage power (i.e. 4160V or 2400V primary) to a lower voltage for commercial, institutional or industrial applications.



## CONSTRUCTION FEATURES

Standard transformers are designed and constructed to meet or exceed the requirements for general applications. These transformers are provided either ventilated or totally enclosed. To meet special applications or custom requirements, modifications are available as either factory installed options or field installed accessories.

Please note that construction details for our Control Transformers and Reactors are in sections 1 and 3 respectively.

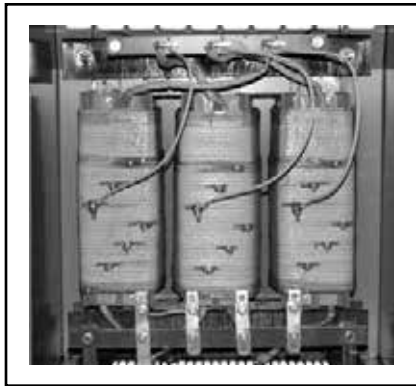


## CONSTRUCTION FEATURES continued . . .

### Core Construction

HPS cores are manufactured from the highest quality non-aging, cold rolled, silicon steel laminations. Cores are precision cut to close tolerances to eliminate burrs and improve performance. Most feature fully interleaved stepped core construction for optimum energy efficiency.

Cores are carefully assembled and rigidly clamped and then either bolted or welded to minimize gaps and assure low losses and quiet operation.



### Coil Construction

Coils are available in either aluminium or copper construction. Coils are precision wound with continuous copper or aluminum conductors and are electrically balanced to minimize axial short-circuit forces.

The use of duct stick permits the flow of air thus providing excellent cooling in addition to providing superior axial mechanical strength.



### Terminations

HPS transformers are provided (where applicable) with both high and low terminal connectors suitable for both copper and aluminum cables. These connectors allow for easy field installation without the need to purchase connectors separately, saving the installer both time and money. For details on types and sizes of connectors provided, please refer to the features tables located within each product section.

### Insulation System

The insulation rating is the maximum allowable winding (hot spot) temperature of a transformer operating at an ambient temperature of 40°C. Insulation systems are classified by the temperature rating. The following table summarizes the different insulation systems available.

Insulation Rating	Insulation Class	Average Winding Temperature Rise	Hot Spot Temperature Rise	Maximum Winding Temperature
Class 105	A	55°C	65°C	105°C
Class 150 or 130	B	80°C	110°C	150°C
Class 180	F	115°C	145°C	180°C
Class 200	N	130°C	160°C	200°C
Class 220	H	150°C	180°C	220°C

NOTE: The maximum acceptable temperature rise based on an average ambient of 30°C during any 24 hour period and a maximum ambient of 40°C at any time.

# INTRODUCTION

## CONSTRUCTION FEATURES continued . . .

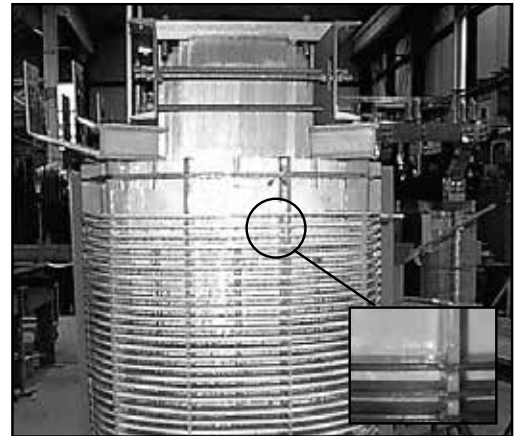
### VACUUM PRESSURE IMPREGNATION (VPI)

The following briefly describes our process.

#### Polyester Resin Impregnation

For most applications, regardless of voltage class, HPS' polyester resin impregnation system is preferred. The polyester resin exhibits a much higher dielectric strength and bonding properties than any varnish previously used, or other encapsulations including oil modified epoxies. This polyester resin exhibits these characteristics:

- Low moisture absorption (Non-Hydroscopic)
- High dielectric strength
- High bond strength
- Excellent mechanical properties
- Stability at high temperatures
- Excellent thermal shock properties
- Longevity of life at maximum transformer temperatures
- UL approved for 220°C insulation systems for any voltage class
- Fungus-resistant reactive components makes it environmentally superior



For long-term life expectancy, it is critical that transformers maintain the integrity of the dielectric properties of the insulation materials.

At HPS, transformer coils are impregnated with a complete vacuum-pressure impregnating cycle:

- Coils are placed in a sealed tank and a vacuum is drawn
- The resin is then introduced into the chamber and the assembly is completely immersed
- The tank is then pressurized to force the impregnation material to thoroughly penetrate the windings
- The coils or assembly are then removed from the chamber and oven cured
- These steps are then repeated

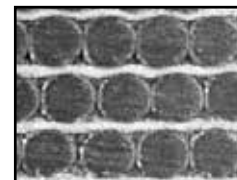


Vacuum Pressure Chamber



Baking Oven

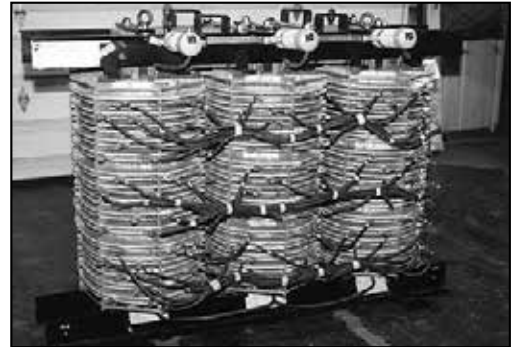
The result is transformers whose coils exhibit virtually corona-free performance, a superior resistance to environmental conditions and a new standard of reliability even for the worst industrial, utility or commercial applications.



## TRANSFORMER BASICS

### Banking of Transformers

Two or three single phase transformers can be connected to make a three phase bank. The primary windings of the single phase transformers can be connected in delta or wye. The secondary windings can also be connected in either a delta or wye configuration. The equivalent capacity of the bank will be equal to three times the nameplate rating of each single phase transformer. Usually this type of installation is more expensive than using a single three phase transformer.



### Primary Voltage Taps

In some cases, the actual supply voltage to the primary of the transformer is either slightly higher or lower than the nameplate rating. Taps are provided on most transformers on the primary winding to correct this condition and maintain full rated output voltage and capacity. Standard taps are usually in 2 ½% or 5% increments. Example: The transformer has a 480V primary rating and the incoming voltage is at 504V. The primary connection should be made at the +5% tap in order to maintain the nominal secondary voltage.



### Transformer Operation at 50 Hz

Transformers rated at 60Hz should not be used on a 50Hz supply due to higher losses and core saturation and the resultant higher temperature rise. Transformers rated for 50Hz, however, can be operated on a 60Hz supply.

### Reverse Connection

HPS does NOT recommend the back-feeding of HPS transformers. Reverse feeding HPS transformers may result in technical issues and safety aspects that could be easily avoided by using a transformer specifically designed for the required step-up application. Back-feeding may also void the HPS product warranty.

HPS has the know-how and capability to assist its customers in satisfying the most demanding application needs in a time sensitive manner with the most suitable design.

# INTRODUCTION

## Transformer Basics continued . . .

### Balance Loading on Single and Three Phase Transformers

A single phase transformer with 120/240V secondary has two separate 120V secondary windings and is usually connected into a 3 wire system. Care must be exercised in distributing the load on the two 120V windings evenly, so each winding is carrying about half of the total load.

Similarly for a three phase transformer, each phase should be considered as a single phase transformer. When distributing single phase loads between the three phases, each of the three windings should be evenly loaded.



### Sound Level

Sound needs to be considered when transformers are located in close proximity to occupied areas. All energized transformers emanate sound due to the alternating flux in the core. This normal sound emitted by the transformer can be a source of annoyance unless it is kept below acceptable levels.

HPS transformers are built to meet the latest ANSI, CSA and UL standards. These standards use NEMA-ST20 (see below table for outline).

HPS also offers "Low Sound" options to most of its distribution style transformers. Please contact your HPS sales representative for details.

Equivalent Two Winding kVA	Self Cooled Ventilated		Self Cooled Non-Ventilated
	Voltage Line to Line		
	1.2kV	>1.2kV	
	dB-A	dB-A	dB-A
0-9	40	45	45
10-50	45	50	50
51-150	50	55	55
151-300	55	58	57
301-500	60	60	59
501-700	62	62	61
701-1000	64	64	63

## SELECTING TRANSFORMERS

### SINGLE PHASE

A single phase transformer is designed to transform single phase or three phase input (source) voltage to the single phase output (load) voltage required by your equipment. To select the correct single phase transformer you must first determine:

1. The equipment being installed operates on a **single phase** supply (see your equipment nameplate or installation manual).
2. The **Primary Voltage** of the transformer. This is the same as the line input (or source) voltage, typically 480 or 600 volts AC.
3. The **Secondary Voltage** of the transformer. The equipment being installed will have a specified supply voltage (see equipment nameplate or installation manual). The transformer you select must have a secondary voltage equal to the required supply voltage of the equipment, typically 120/240 VAC.
4. The **Frequency** in Hertz (cycles-per-second) of the input (source) voltage must be the same as the operating frequency of the equipment being supplied. The transformer selected must operate at the same frequency. Typical operating frequency is 60 Hz.
5. The **Total VA** of the load is determined by the product of the voltage supplied across the load and the current passing through it. This is normally expressed in VA (Volt-Amperes) or kVA (kilo Volt-Amperes) on the equipment nameplate. The total load is often a combination of various loads (i.e. lights, heaters, motors). You must calculate these individual loads and add them together to obtain the total load of the transformer. The transformer you select must have a kVA rating equal to or greater than the load on the transformer.

#### How to use the full load chart to find kVA:

1. Determine the secondary voltage of your transformer.
2. Sum up the total amperes required by the load.
3. From the full load current table below, select a transformer under the corresponding secondary voltage, with a standard kVA capacity and amperage equal to or higher than the sum required by the load.

**Calculating kVA:** To calculate kVA when volts and amperes are known:

$$\text{kVA} = \frac{\text{Volts X Amps (load)}}{1000}$$

**Full Load Current Table  
Single Phase Transformer**

kVA	Current in Amperes					
	120V	240V	480V	600V	2400V	4160V
0.50	4.17	2.08	1.04	0.83	-	-
0.75	6.25	3.13	1.56	1.25	-	-
1.0	8.33	4.17	2.08	1.67	-	-
1.5	12.5	6.25	3.13	2.50	-	-
3.0	25.0	12.5	6.25	5.00	1.25	0.72
5.0	41.6	20.8	10.4	8.33	2.08	1.20
7.5	62.5	31.3	15.6	12.5	3.13	1.80
10	83.3	41.7	20.8	16.7	4.17	2.40
15	125	62.5	31.3	25.0	6.25	3.61
25	208	104	52.1	41.7	10.4	6.01
37.5	313	156	78.1	62.5	15.6	9.01
50	417	208	104	83.3	20.8	12.0
75	625	313	156	125	31.3	18.0
100	833	417	208	167	41.7	24.0
150	1250	625	312	250	62.5	36.0
167	1392	696	348	278	69.6	40.1
250	2083	1042	521	417	104	60.1
333	2775	1388	694	555	139	80.0

**Single Phase AC Motor Full Load  
Running Currents in Amperes and  
Recommended Transformer Ratings**

Horsepower	Full Load Current (Amps)			Minimum Transformer kVA
	110-120V	208V	220-240V*	
0.50 HP	9.8	5.4	4.9	1.5
0.75 HP	13.8	7.6	6.9	2.0
1.0 HP	16.0	8.8	8.0	3.0
1.5 HP	20.0	11.0	10.0	3.0
2.0 HP	24.0	13.2	12.0	5.0
3.0 HP	34.0	18.7	17.0	5.0
5.0 HP	56.0	30.8	28.0	7.5
7.5 HP	80.0	44.0	40.0	15.0
10 HP	100	55.0	50.0	15.0
15 HP	135	74.8	68.0	25.0
20 HP	-	-	88.0	25.0
25 HP	-	-	110	37.5
30 HP	-	-	136	37.5
40 HP	-	-	176	50.0
50 HP	-	-	216	75.0

kVA ratings include 10% overcapacity for frequent motor starts.  
\* For 200 volt motors increase 220-240V ratings by 15%.





# INTRODUCTION

## Selecting Transformers continued . . .

### THREE PHASE

A three phase transformer is designed to transform a three phase input (source) voltage to the single phase and three phase output (load) voltages required by your equipment.

In order to select the correct three phase transformer you must first determine:

1. The equipment being installed operates on a **three phase** supply. Note: If both single phase and three phase equipment makes up the load, the single phase equipment is connected to only one phase of the transformer.
2. The **Primary Voltage** of the transformer. This is the same as the line input (or source) voltage, typically 480 or 600 volts AC.
3. The **Secondary Voltage** of the transformer. This is the transformer's output voltage and must be the same as the voltage required by the equipment being installed (see equipment nameplate, typically 208Y/120 volts).
4. The **Frequency** in hertz (cycles per second) of the input (source) voltage must be the same as the operating frequency of the equipment being supplied. The transformer selected must operate at the same frequency. Typical operating frequency is 60 Hz.
5. The **Total VA** of the load is determined by the product of the voltage supplied across the load and the current passing through it. This is normally expressed in VA (Volt-Amperes) or kVA (kilo Volt-Amperes) on the equipment nameplate.

The total load is often a combination of various loads (i.e. lights, heaters, motors). You must calculate these individual loads and add them together to obtain the total load of the transformer.

The transformer you select must have a kVA rating equal to or greater than the load requirement.

Note: The three phase transformer must be selected so that any one phase is not overloaded. If you are connecting a single phase load to one phase of the three phase transformer, you must calculate the load as if it were loading all three phases.

### Calculating kVA

To calculate kVA when volts and amperes are known:

$$kVA = \sqrt{3} \times \frac{V_{LL} \times I_L}{1000}$$

$V_{LL}$  = Volts line - line

$I_L$  = Line Current

### Full Load Current Table - Three Phase Transformer

kVA	Current in Amperes					
	208V	240V	480V	600V	2400V	4160V
3	8.33	7.22	3.61	2.89	0.72	0.42
6	16.7	14.4	7.22	5.77	1.44	0.83
9	25.0	21.7	10.8	8.66	2.17	1.25
15	41.6	36.1	18.0	14.4	3.61	2.08
30	83.3	72.2	36.1	28.9	7.22	4.16
45	125	108	54.1	43.3	10.8	6.25
75	208	180	90.2	72.2	18.0	10.4
100	278	241	120	96.2	24.1	13.9
112.5	312	271	135	108	27.1	15.6
150	416	361	180	144	36.1	20.8
225	625	541	271	217	54.1	31.2
300	833	722	361	289	72.2	41.6
450	1249	1082	541	433	108	62.4
500	1388	1203	601	481	120	69.4
600	1665	1443	722	577	144	83.3
750	2082	1804	902	722	180	104
1000	2776	2406	1203	962	241	139
1500	4164	3609	1804	1443	361	208
2000	5552	4811	2406	1925	481	278
2500	6940	6014	3007	2406	601	347
3000	8327	7217	3608	2887	722	416

### Three Phase AC Motor Full Load Running Currents in Amperes and Recommended Transformer Ratings

Horsepower	Full Load Current (Amps) Minimum					Transformer kVA
	110-120V	208V	220-240V*	440-480V	550-600V	
0.50 HP	4.0	2.2	2.0	1.0	0.8	3
0.75 HP	5.6	3.1	2.8	1.4	1.1	3
1.0 HP	7.2	4.0	3.6	1.8	1.4	3
1.5 HP	10.4	5.7	5.2	2.6	2.1	3
2.0 HP	13.6	7.5	6.8	3.4	2.7	6
3.0 HP	19.2	10.7	9.6	4.8	3.9	6
5.0 HP	30.4	16.7	15.2	7.6	6.1	9
7.5 HP	44.0	24.0	22.0	11.0	9.0	15
10 HP	56.0	31.0	28.0	14.0	11.0	15
15 HP	84.0	46.0	42.0	21.0	17.0	30
20 HP	108	59.0	54.0	27.0	22.0	30
25 HP	136	75.0	68.0	34.0	27.0	45
30 HP	160	88.0	80.0	40.0	32.0	45
40 HP	208	114	104	52.0	41.0	75
50 HP	260	143	130	65.0	52.0	75
60 HP	-	170	154	77.0	62.0	75
75 HP	-	211	192	96.0	77.0	112.5
100 HP	-	273	248	124	99.0	150

kVA ratings include 10% overcapacity for frequent motor starts.  
\* For 200 volt motors increase 220-240V ratings by 15%.



## COMPLIANCE WITH ENGINEERING STANDARDS

HPS Dry-Type Transformers are approved, listed, recognized or comply with the following Regulatory Standards. The reference files are:

UL1561 and UL1562	CSA C9-M and CSA C22.2-M	
ANSI C57.12.51	NEMA TR-1 and ST-1	IEC 76

**HPS dry-type transformers can be built to comply with the following engineering standards:**

- **UL 1561** : Dry-Type General Purpose and Power Transformers
- **UL 1562** : Transformers, Distribution, Dry-Type over 600 volts
- **IEEE-C57.12.01** : General Requirements for Dry-Type Distribution and Power Transformers
- **NEMA ST-20** : Dry-Type Transformers for General Applications
- **ANSI-C57.12.51** : Requirements for Ventilated Dry-Type
- **ANSI-C57.12.70** : Terminal Markings & Connections for Distribution & Power Transformers
- **ANSI-C57.12.91** : Test Code for Dry-Type Distribution and Power Transformers
- **ANSI-C57.12.90** : Guide for Short Circuit Testing of Distribution and Power Transformers
- **NEMA 250** : Enclosures for Electrical Equipment
- **CSA-C22.2 No. 47** : Air-Cooled (Dry-Type) Transformers
- **CSA-C9-M** : Dry-Type Transformers
- **CSA C802.2 and DOE 10 CFR Part 431**: Energy Efficiency Standards

## TRANSFORMER TEST STANDARDS

All transformers are tested at the manufacturing facility prior to shipment. Transformers must meet very specific criteria to be certified acceptable for release. Tests are categorized as 'Production Tests' and 'Type Tests'. Production Tests are applied to every transformer, where Type Tests are required either to qualify a new product or to further certify a production product. Type tests are optional and are available at an additional cost.

### Production Tests

#### D.C. Resistance Measurement

Current from a D.C. resistance bridge is applied to the transformers windings to determine the D.C. resistance voltage of the coils. This test is important for the calculation of  $I^2R$  for use in the winding temperature test and as base data for future assessment in the field.

#### Polarity and Phase-Relation Test

Polarity and phase-relation tests are made to determine angular displacement and relative phase sequence to facilitate connections in a transformer. Determining polarity is also essential when paralleling or banking two or more transformers.

# INTRODUCTION

## Transformer Test Standards continued ...

### No-Load and Excitation Current Test\*

No-load losses (excitation losses) are the core losses of a transformer that are “excited” at rated voltage and frequency, but which do not supply load. No-load losses include core loss, dielectric loss and losses in the windings due to exciting current.

The transformer is excited at rated voltage with all other windings open circuited. The exciting current and no load loss is then measured.

\*(Note: This is a standard test only on units over 500kVA. It will only be carried out on lower kVA units when specifically requested.)

### Voltage Ratio (turns ratio)

To confirm the voltage ratio of a transformer, the ratio of the number of turns in the high-voltage winding with respect to the number of turns in the low-voltage winding is measured.

### Impedance Voltage and Load Loss Test\*

The voltage required to circulate the rated current under short-circuit conditions when connected on the rated voltage tap is the impedance voltage.

Rated current is circulated through the windings with the secondary short circuited. The impedance voltage and load loss is then measured. They are corrected to rise +20°C reference temperature.

\*(Note: This is a standard test only on units over 500kVA. It will only be carried out on lower kVA units when specifically requested.)

### Dielectric Tests

The purpose of dielectric tests is to demonstrate that the transformer has been designed and constructed to withstand the voltages associated with specified insulation levels.

### Applied Voltage Test

A normal power frequency, such as 60 Hz, is applied to each winding for one minute. These tests are in accordance with table (3) in ANSI C57-12-01.

### Induced Voltage Test

The induced voltage test is applied for 7200 cycles or 60 seconds, whichever is shorter. The voltage applied is twice the operating voltage and confirms the integrity of the insulation.



## Type Tests

Type tests are required either to qualify a new product or to further certify a standard product line. The following is a list of type tests performed on HPS Transformers.

- **Temperature Rise Test**
- **Sound Level Test**
- **Partial Discharge (corona)**
- **Basic Impulse Insulation Level (BIL)**
- **Short-Circuit Test**

## QUALITY MANAGEMENT SYSTEMS

### ISO 9001:2008

Hammond Power Solutions facilities, located in Guelph Ontario Canada, Walkerton Ontario Canada, Baraboo Wisconsin USA, Compton California USA and Monterrey Mexico, (which manufacture the transformers featured in this catalog), have implemented Quality Management Systems based on ISO 9001. ISO 9001 includes all processes affecting quality, customer satisfaction and continual improvement. Our customers can be assured of the integrity and quality in all Hammond Power Solutions transformer products.



## HPS STANDARD ENCLOSURES

An enclosure is a surrounding case constructed to provide a degree of protection to personnel against access to hazardous parts and to provide a degree of protection to the enclosed equipment against specified environmental conditions.

### Applicable Engineering Standards

HPS Enclosures are designed in accordance with the following standards:

- CSA 22.2 No. 47 (General Purpose)
- CSA 22.2 No. 94 (Specialty Enclosures)
- NEMA 250
- UL 50 and UL 50E

Please ensure to reference all local and national electrical codes and applicable transformer standards before selecting an enclosure for your application.

### Definitions

<b>Degree of protection:</b>	The extent of protection provided by an enclosure against access to hazardous parts, against ingress of foreign solid objects and/or against ingress of water and verified by approved standardized test methods.
<b>Hazardous parts:</b>	A part that is hazardous to approach or to touch.
<b>Indoor Locations:</b>	Areas which are protected from exposure to the weather.
<b>Non-ventilated:</b>	Constructed so as to provide no intentional circulation of external air through the enclosure.
<b>Outdoor locations:</b>	Locations that are exposed to the weather.
<b>Ventilated:</b>	Constructed so as to provide for the circulation of external air through the enclosure to remove excess heat, fumes or vapors.

### Enclosure Selection

The selection of the appropriate enclosure is vital for the long term reliability of your HPS product. The “degree of protection” an enclosure actually provides can only be determined by referencing the appropriate test methods outlined in the above mentioned standards.

The list below is just some of the typical enclosure types available for HPS products, their applications, and the environmental conditions they are designed to meet.

### HPS Typical Enclosures Types

The following lists some of the standard HPS enclosures available and a brief description of their applications:

#### TYPE 1

This is a general purpose ventilated enclosure constructed for indoor use only to provide a degree of protection to personnel against access to hazardous parts; to provide a degree of protection of the equipment inside the enclosure against ingress of solid foreign objects (falling dirt).

#### TYPE 2

This is a general purpose ventilated enclosure constructed for indoor use only to provide a degree of protection to personnel against access to hazardous parts; to provide a degree of protection of the equipment inside the enclosure against the ingress of solid foreign objects (falling dirt); and to provide a degree of protection with respect to harmful effects on the equipment due to the ingress of water (dripping or light splashing).

#### TYPE 3RI

This is a general purpose ventilated enclosure constructed for indoor use only to provide a degree of protection to personnel against access to hazardous parts; to provide a degree of protection of the equipment inside the enclosure against the ingress of solid foreign objects (falling dirt); and to provide a degree of protection with respect to harmful effects on the equipment due to the ingress of water (sprinkler head spray, light splashing of liquids).

#### TYPE 3R

This is a general purpose ventilated enclosure constructed for either indoor or outdoor use to provide a degree of protection to personnel against access to hazardous parts; to provide a degree of protection of the equipment inside the enclosure against the ingress of solid foreign objects (falling dirt); and to provide a degree of protection with respect to harmful effects on the equipment due to the ingress of water (rain, sleet, snow); and that will be undamaged by the external formation of ice on the enclosure.

# INTRODUCTION

## HPS Standard Enclosures continued ...

### TYPE 3RE

This is a general purpose ventilated enclosure constructed for either indoor or outdoor use to provide a degree of protection to personnel against access to hazardous parts; to provide a degree of protection of the equipment inside the enclosure against the ingress of solid foreign objects (falling dirt and circulating dust); and to provide a degree of protection with respect to harmful effects on the equipment due to the ingress of water (rain, sleet, circulating snow); and that will be undamaged by the external formation of ice on the enclosure.

### TYPE 4

This is a general purpose non-ventilated enclosure constructed for either indoor or outdoor use to provide a degree of protection to personnel against access to hazardous parts; to provide a degree of protection of the equipment inside the enclosure against the ingress of solid foreign objects (falling dirt and windblown dust); and to provide a degree of protection with respect to harmful effects on the equipment due to the ingress of water (rain, sleet, snow, splashing water, and hose directed water); and that will be undamaged by the external formation of ice on the enclosure. (Note: not submersible)

### TYPE 4X

This is a general purpose non-ventilated enclosure constructed for either indoor or outdoor use to provide a degree of protection to personnel against access to hazardous parts; to provide a degree of protection of the equipment inside the enclosure against the ingress of solid foreign objects (windblown dust); and to provide a degree of protection with respect to harmful effects on the equipment due to the ingress of water (rain, sleet, snow, splashing water, and hose directed water); that provides an additional level of protection against corrosion; and that will be undamaged by the external formation of ice on the enclosure. (Note: not submersible)

### TYPE 12

This is a general purpose non-ventilated enclosure constructed (without knockouts) for indoor use only to provide a degree of protection to personnel against access to hazardous parts; to provide a degree of protection of the equipment inside the enclosure against the ingress of solid foreign objects (falling dirt and circulating dust, lint, fibers, and filings); and to provide a degree of protection with respect to harmful effects on the equipment due to the ingress of water (dripping and light splashing). (Note: not submersible)

## CONVERSION OF NEMA ENCLOSURE TYPE RATINGS TO IEC 60529 ENCLOSURE CLASSIFICATION DESIGNATIONS (IP)

(Cannot be Used to Convert IEC Classification Designations to NEMA Type Ratings)

IP 1st Character	NEMA Enclosure Type										IP 2nd Character
	1	2	3, 3X, 3S,3SX	3R, 3RX	4, 4X	5	6	6P	12, 12K, 13		
IP0_											IP_0
IP1_											IP_1
IP2_											IP_2
IP3_											IP_3
IP4_											IP_4
IP5_											IP_5
IP6_											IP_6
											IP_7
											IP_8
	A B	A B	A B	A B	A B	A B	A B	A B	A B	A B	

**IP First Character** = The A shaded block in the "A" column represents the first IP character. This indicates that the NEMA Enclosure Type exceeds the requirements for the respective IEC 60529 IP First Character Designation. This IP First Character Designation is the protection against access to hazardous parts and solid foreign objects.

**IP Second Character** = The B shaded block in the "B" column represents the second IP character. This indicates that the NEMA Enclosure Type exceeds the requirements for the respective IEC 60529 IP Second Character Designation. This IP Second Character Designation is the protection against the ingress of water.

**Example:** NEMA Type 3R = IP24

**Note:** Please refer to NEMA standards publication 250-2003 for exact details of the above table.



# INTRODUCTION

## HAMMOND POWER SOLUTIONS INC. EXCLUSIVE LIMITED WARRANTY

### Exclusive Warranty

Hammond Power Solutions Inc. ("HPS"), warrants to the original purchaser of the standard transformers listed in this catalog (the "Goods"), will be free from defects in materials and workmanship for a period commencing on the date of manufacture of the Goods and expiring at the end of the period specified below (the "Warranty Period"). THIS WARRANTY IS EXCLUSIVE AND IS IN LIEU OF ANY OTHER WARRANTY EXPRESS OR IMPLIED, INCLUDING BUT NOT LIMITED TO ANY IMPLIED WARRANTY OR MERCHANTABILITY OR FITNESS FOR A PARTICULAR PURPOSE.

### Warranty Exclusions - Limitation of Damages and Claims Procedure

The above stated warranty does not cover: workmanship of installation; dissatisfaction or damage due to improper installation, vandalism, misuse, accident, excessive wear and tear, unauthorized repair, abnormal use, lack of maintenance, or other cause(s) not within HPS's control and HPS WILL NOT BE LIABLE, UNDER ANY CIRCUMSTANCES, FOR CONSEQUENTIAL OR INCIDENTAL DAMAGES, INCLUDING BUT NOT LIMITED TO LABOR COSTS OR LOST PROFITS RESULTING FROM THE USE OF OR INABILITY TO USE THE GOODS OR FROM THE GOODS BEING INCORPORATED IN OR BECOMING A COMPONENT OR ANY OTHER PRODUCT. Without limiting the generality of the foregoing, HPS will not be responsible for labor costs involved in the removal of Goods or the installation of replacement Goods.

HPS's liability and the Buyer's exclusive remedy hereunder will be limited to repair or replacement of those Goods found in HPS's reasonable judgment to be defective. HPS reserves the right to accept or reject any claim in whole or in part. HPS will not accept the return of any Goods without its prior written approval. Please consult HPS for instructions on the Return Authorization procedure.

### Product Warranty Periods:

#### Industrial Control Transformers (Section 1)

	Lifetime Warranty
HPS Emperor®	
HPS Spartan®	15 Years
Other Control	10 Years
HPS Fusion™ General Purpose Enclosed Transformers (Section 1)	15 Years
HPS Universal™ Buck-Boost/Low Voltage Lighting Transformers (Sections 2 & 6)	10 Years
HPS Centurion® R Reactors (Section 3)	10 Years
Line Reactors and DV/DT Filters (Section 3)	10 Years
HPS Tribune™ and Standard Drive Isolation Transformers (Section 4)	10 Years
Motor Starting Auto Transformers (Section 5)	1 Year
Energy Efficient Distribution Transformers (Section 7)	10 Years
Encapsulated Dry-Type Distribution Transformers (Section 8)	10 Years
HPS PowerPlus™ Mini Power Center (Section 9)	
Transformer only	15 Year
Mini Power Center	1 Year
Autotransformers (Section 10)	10 Years
HPS Millennium Medium Voltage Distribution Transformers (Section 11)	1 Year
All HPS six digit Special and Custom Transformers	1 Year





## SECTION 1

# INDUSTRIAL CONTROL AND GENERAL PURPOSE ENCLOSED TRANSFORMERS

## **HPS Imperator<sup>®</sup>, HPS Spartan<sup>®</sup>, HPS Fusion<sup>™</sup> and Q Series Transformers**

Control Transformer Quick Selection Charts .....	28
What Is A Control Transformer? .....	29
Overcurrent Protection .....	30
<b><u>HPS Imperator Machine Tool Industrial Control Transformers</u></b>	
Features and Benefits .....	34
Selection Tables .....	36
Optional Accessories .....	43
Wiring Schematics .....	62
<b><u>HPS Spartan Industrial Open-Style Core &amp; Coil Control Transformers</u></b>	
Features and Benefits .....	45
Selection Tables .....	46
Optional Accessories .....	51
Wiring Schematics .....	73
<b><u>HPS Fusion General Purpose Enclosed Transformers</u></b>	
Features and Benefits .....	53
Selection Tables .....	54
Optional Accessories .....	59
Wiring Schematics .....	73
<b><u>Q Series Enclosed Potted Control Transformers</u></b>	
Features and Benefits .....	60
Selection Table .....	61
Wiring Schematics .....	282



# SECTION 1

## TRANSFORMER QUICK SELECTION CHARTS

### HPS Imperator®

Pri. Volts	Sec. Volts	Group	Part No.	Page
600, 575, 550	120 x 240, 115 x 230, 110 x 220	A	PH***AJ	36
600, 575, 550	12 x 24, 11.5 x 23, 11 x 22	B	PH***AR	36
240 x 480, 230 x 460, 220 x 440	120 x 240, 115 x 230, 110 x 220	C	PH***MQMJ	37
240 x 480, 230 x 460, 220 x 440	12 x 24, 11.5 x 23, 11 x 22	D	PH***QR	37
208 x 416, 200 x 400, 190 x 380	120 x 240, 115 x 230, 110 x 220	E	PH***SP	38
120 x 240, 115 x 230, 110 x 220	120 x 240, 115 x 230, 110 x 220	F	PH***PP	38
120 x 240, 115 x 230, 110 x 220	12 x 24, 11.5 x 23, 11 x 22	G	PH***PG	39
600/480/240, 575/460/230, 550/440/220	120/100, 115/95, 110/90	H	PH***MBMH	39
480/240, 460/230/208, 440/220/200	120/25, 115/24, 110/23	I	PH***MLI	40
415/400/380	110 x 220	J	PH***MEMX	40
380/277/208	120 x 240	K	PH***MGJ	41

### HPS Spartan®

Pri. Volts	Sec. Volts	Group	Part No.	Page
600/480, 575/460, 550/440	120 x 240, 115 x 230, 110 x 220	A	SP***ACP	46
600, 575, 550	12 x 24, 11.5 x 23, 11 x 22	B	SP***AR	46
240 x 480, 230 x 460, 220 x 440	120 x 240, 115 x 230, 110 x 220	C	SP***MQMJ	47
240 x 480, 230 x 460, 220 x 440	12 x 24, 11.5 x 23, 11 x 22	D	SP***QR	47
347/380	120 x 240	E	SP***KHP	48
347/380	12 x 24	F	SP***KHR	48
277	120	G	SP***NJ	49
120 x 240, 115 x 230, 110 x 220	12 x 24, 11.5 x 23, 11 x 22	H	SP***PR	49
208 x 416, 200 x 400, 190 x 380	120 x 240, 115 x 230, 110 x 220	I	SP***SP	50
208 x 416, 200 x 400, 190 x 380	12 x 24, 11.5 x 23, 11 x 22	J	SP***SR	50

### HPS Fusion™

Pri. Volts	Sec. Volts	Group	Part No.	Page
600/480, 575/460, 550/440	120 x 240, 115 x 230, 110 x 220	A	FS***ACP	54
600, 575, 550	12 x 24, 11.5 x 23, 11 x 22	B	FS***AR	54
240 x 480, 230 x 460, 220 x 440	120 x 240, 115 x 230, 110 x 220	C	FS***MQMJ	55
240 x 480, 230 x 460, 220 x 440	12 x 24, 11.5 x 23, 11 x 22	D	FS***QR	55
347/380	120 x 240	E	FS***KHP	56
347/380	12 x 24	F	FS***KHR	56
277	120	G	FS***NJ	57
120 x 240, 115 x 230, 110 x 220	12 x 24, 11.5 x 23, 11 x 22	H	FS***PR	57
208 x 416, 200 x 400, 190 x 380	120 x 240, 115 x 230, 110 x 220	I	FS***SP	58
208 x 416, 200 x 400, 190 x 380	12 x 24, 11.5 x 23, 11 x 22	J	FS***SR	58

### Q Series

Pri. Volts	Sec. Volts	Part No.	Page
600	12/24	Q***PRC*	61



## WHAT IS A CONTROL TRANSFORMER?

### What is a Control Transformer?

A control transformer is an isolation transformer designed to provide a high degree of secondary voltage stability (regulation during a brief period of overload condition (also referred to as “inrush current”)). Control transformers are also known as Machine Tool Transformers, Industrial Control Transformers or Control Power Transformers.

### When you calculate the VA requirement of a Transformer, do you use the Primary or the Secondary Voltage?

When selecting the VA requirement, you use the Secondary Voltage.

### Can you use a Control Transformer connected in reverse?

HPS strongly discourages back-feeding Industrial Control transformers. Due to the use of compensated windings in these products the resulting voltage will vary from the rating with as much as 10%.

### Can a Control Transformer regulate the output voltage?

A control transformer will not regulate the voltage. Output voltage is a function of the coil’s turn ratio only, times the input voltage.

### What is the benefit of “Vacuum Impregnation” on a Transformer?

All HPS Control Transformers are vacuum impregnated with “VT Polyester Resin” and oven cured which seals the surface and eliminates moisture. Impregnating the entire unit provides a strong mechanical bond and offers protection from environmental conditions.

### Explain the “VA” or “Volt Ampere Output” Rating?

The VA or volt ampere output rating designates the output which a transformer can deliver for a specified time at its rated secondary voltage and rated frequency, without exceeding its specified temperature rise.

### Insulating Materials; what are they made of and what is their purpose?

Hammond Power Solutions utilizes Mylar, Nomex and other high quality insulating materials. Insulation is used to electrically insulate turn-to-turn windings, layer-to-layer windings, primary to secondary windings and ground.

### What is the effect of “Overload”?

When a transformer is continually overloaded, excessive heat develops and the insulation system will begin to breakdown. As a result, the life expectancy of the transformer is shortened due to the heat exceeding the rating of the insulation system.

## Recommendations For Overcurrent Protection

SECTION 1

### UL AND CSA (NORTH AMERICAN) STANDARDS

North American standards, including UL 508, National Electric Code 450 and the Canadian Electrical Code Part I, require overcurrent protection on all control circuit transformers. There are two options for overcurrent protection:

#### Option 1

Provide an overcurrent device in the primary circuit rated to the current of the transformer. The overcurrent limits are as follows:

Primary 9 amps or more:	no more than 125% of rated current.
Primary 2 to 9 amps:	no more than 167% of rated current.
Primary less than 2 amps:	no more than 300% of rated current for power circuits. no more than 500% of rated current for control circuits.

This method is considered less desirable as start-up inrush to the transformer can frequently surpass the current rating of the device and result in nuisance interruptions.

#### Option 2

The second option is to install overcurrent devices in both the primary and secondary circuits of the transformer. In this option, the secondary device must be rated no more than 125% of rated current of the transformer and the primary no more than 250%. CEC permits 300% overcurrent on the primary for this option.

In both options listed, it is recommended that **time delay** fuses be considered to avoid unnecessary interruptions.

### Secondary

The overcurrent protection listed below, in amperes, is 125% of the rated current of the transformer. Choose the next higher fuse rating if these numbers do not correspond with standard fuse selections.

Sec. Voltage	VA Rating															
	25	50	75	100	150	200	250	300	350	500	750	1000	1500	2000	3000	5000
<b>12</b>	2.7	5.3	7.9	11	16	21	27	-	-	-	-	-	-	-	-	-
<b>24</b>	1.4	2.7	4.0	5.3	7.9	11	14	16	19	27	-	-	-	-	-	-
<b>90</b>	0.4	0.7	1.1	1.4	2.1	2.8	3.5	4.2	4.9	7.0	11	14	21	28	-	-
<b>95</b>	0.4	0.7	1.0	1.4	2.0	2.7	3.3	4.0	4.7	6.6	9.9	14	20	27	-	-
<b>100</b>	0.4	0.7	1.0	1.3	1.9	2.5	3.2	3.8	4.4	6.3	9.4	13	19	25	-	-
<b>110</b>	0.3	0.6	0.9	1.2	1.8	2.3	2.9	3.5	4.0	5.7	8.6	12	18	23	-	-
<b>115</b>	0.3	0.6	0.9	1.1	1.7	2.2	2.8	3.3	3.9	5.5	8.2	11	17	22	-	-
<b>120</b>	0.3	0.6	0.8	1.1	1.6	2.1	2.7	3.2	3.7	5.3	7.9	11	16	21	-	-
<b>220</b>	0.15	0.3	0.5	0.6	0.9	1.2	1.5	1.8	2.0	2.9	4.3	5.7	8.6	12	18	29
<b>230</b>	0.14	0.3	0.5	0.6	0.9	1.1	1.4	1.7	2.0	2.8	4.1	5.5	8.2	11	17	28
<b>240</b>	0.14	0.3	0.4	0.6	0.8	1.1	1.4	1.6	1.9	2.7	4.0	5.3	7.9	11	16	27

## Recommendations for Overcurrent Protection

### Primary (UL and CSA)

To assist in the selection of fuses, the following chart recommends the maximum primary fuse rating in amperes. The first number shown is the maximum overcurrent protection when the primary current is less than 2 amps and the overcurrent protection device is rated for 300%. The second number shown (*italic*) is recommended when the primary is less than 2 amps and the overcurrent device is to be rated at 500% of rated current. Where only one number is indicated, the primary is 2 amps or more and one rating of over current protection is shown as optimal. Choose the next higher fuse rating if these numbers do not correspond with standard fuse selections.

Pri.	VA Rating																
	Volt	25	50	75	100	150	200	250	300	350	500	750	1000	1500	2000	3000	5000
115	0.6	1.25	1.8	2.5	3.5	5	4	5	5	8	10	15	20	25	-	-	-
	<i>1</i>	<i>2</i>	<i>3.2</i>	<i>4</i>	<i>6.25</i>	<i>8</i>											
120	0.6	1.25	1.8	2.25	3.5	5	4	5	5	8	10	15	15	20	-	-	-
	<i>1</i>	<i>2</i>	<i>3</i>	<i>4</i>	<i>6.25</i>	<i>8</i>											
200	0.3	0.75	1.125	1.5	2.25	3	3.5	4.5	5	4.5	7	9	15	15	20	-	-
	<i>0.6</i>	<i>1.25</i>	<i>1.8</i>	<i>2.5</i>	<i>3.5</i>	<i>5</i>	<i>6.25</i>	<i>7.5</i>	<i>8</i>								
208	0.3	0.6	1	1.4	2	2.8	3.5	4	5	4	6	8	12	15	20	30	-
	<i>0.6</i>	<i>1.125</i>	<i>1.8</i>	<i>2.25</i>	<i>3.5</i>	<i>4.5</i>	<i>6</i>	<i>7</i>	<i>8</i>								
220	0.3	0.6	1	1.25	2	2.5	3.2	4	4.5	4	6	8	12	15	20	30	-
	<i>0.5</i>	<i>1.125</i>	<i>1.6</i>	<i>2.25</i>	<i>3.2</i>	<i>4.5</i>	<i>5.6</i>	<i>6.25</i>	<i>7.5</i>								
230	0.3	0.6	0.8	1.25	1.8	2.5	3.2	3.5	4.5	4	6	8	10	15	20	30	-
	<i>0.5</i>	<i>1</i>	<i>1.6</i>	<i>2</i>	<i>3.2</i>	<i>4</i>	<i>5</i>	<i>6.25</i>	<i>7.5</i>								
240	0.3	0.6	0.8	1.25	1.8	2.25	3	3.5	4	3.5	5	7	10	15	15	30	-
	<i>0.5</i>	<i>1</i>	<i>1.5</i>	<i>2</i>	<i>3</i>	<i>4</i>	<i>5</i>	<i>6.25</i>	<i>7</i>								
277	0.25	0.5	0.8	1	1.6	2	2.5	3.2	3.5	5	5	6	9	12	15	25	-
	<i>0.4</i>	<i>0.8</i>	<i>1.25</i>	<i>1.8</i>	<i>1.5</i>	<i>3.5</i>	<i>4.5</i>	<i>5</i>	<i>6.25</i>	<i>9</i>							
347	0.25	0.5	0.8	1	1.6	2	2.5	3.2	3.5	5	6.25	5	7.5	10	15	20	30
	<i>0.4</i>	<i>0.8</i>	<i>1.25</i>	<i>1.8</i>	<i>2.5</i>	<i>3.5</i>	<i>4.5</i>	<i>5</i>	<i>6.25</i>	<i>9</i>							
380	0.1875	0.3	0.5	0.75	1.125	1.5	1.8	2.25	2.5	3.5	5.6	4.5	6.25	9	15	20	25
	<i>0.3</i>	<i>0.6</i>	<i>0.8</i>	<i>1.25</i>	<i>1.8</i>	<i>2.5</i>	<i>3.2</i>	<i>3.5</i>	<i>4.5</i>	<i>6.25</i>	<i>9</i>						
400	0.1875	0.3	0.5	0.75	1.125	1.5	1.8	2.25	2.5	3.5	5.6	4.5	6.25	9	12	15	20
	<i>0.3</i>	<i>0.6</i>	<i>0.8</i>	<i>1.25</i>	<i>1.8</i>	<i>2.5</i>	<i>3</i>	<i>3.5</i>	<i>4</i>	<i>6.25</i>	<i>9</i>						
416	0.15	0.3	0.5	0.6	1	1.4	1.8	2	2.5	3.5	5	4	6	8	12	15	20
	<i>0.3</i>	<i>0.6</i>	<i>0.8</i>	<i>1.125</i>	<i>1.8</i>	<i>2.25</i>	<i>3</i>	<i>3.5</i>	<i>4</i>	<i>6</i>	<i>9</i>						
440	0.15	0.3	0.5	0.6	1	1.25	1.6	2	2.25	3.2	5	4	6	8	12	15	20
	<i>0.25</i>	<i>0.5</i>	<i>0.8</i>	<i>1.125</i>	<i>1.6</i>	<i>2.25</i>	<i>2.8</i>	<i>3.2</i>	<i>3.5</i>	<i>5.6</i>	<i>8</i>						
460	0.15	0.3	0.4	0.6	0.8	1.25	1.6	1.8	2.25	3.2	4.5	3.5	6	8	12	15	20
	<i>0.25</i>	<i>0.5</i>	<i>0.8</i>	<i>1</i>	<i>1.6</i>	<i>2</i>	<i>2.5</i>	<i>3.2</i>	<i>3.5</i>	<i>5</i>	<i>8</i>						
480	0.15	0.3	0.4	0.6	0.8	1.25	1.5	1.8	2	3	4.5	3.5	5	7	10	15	20
	<i>0.25</i>	<i>0.5</i>	<i>0.75</i>	<i>1</i>	<i>1.5</i>	<i>2</i>	<i>2.5</i>	<i>3</i>	<i>3.5</i>	<i>5</i>	<i>7.5</i>						
550	0.125	0.25	0.4	0.5	0.8	1	1.25	1.6	1.8	2.5	4	5	4.5	6	9	15	15
	<i>0.2</i>	<i>0.4</i>	<i>0.6</i>	<i>0.8</i>	<i>1.25</i>	<i>1.8</i>	<i>2.25</i>	<i>2.5</i>	<i>3</i>	<i>4.5</i>	<i>6.25</i>						
575	0.125	0.25	0.3	0.5	0.75	1	1.25	1.5	1.8	2.5	3.5	5	4.5	6	9	15	15
	<i>0.2</i>	<i>0.4</i>	<i>0.6</i>	<i>0.8</i>	<i>1.25</i>	<i>1.6</i>	<i>2</i>	<i>2.5</i>	<i>3</i>	<i>4</i>	<i>6.25</i>						
600	0.125	0.2	0.3	0.5	0.75	0.8	1.25	1.5	1.6	2.25	3.5	5	4	6	9	15	15
	<i>0.2</i>	<i>0.4</i>	<i>0.6</i>	<i>0.8</i>	<i>1.25</i>	<i>1.6</i>	<i>2</i>	<i>2.5</i>	<i>2.8</i>	<i>4</i>	<i>6.25</i>						

References: UL 508, 32.7  
 UL 845, 11.16 and 11.17  
 NEC 430-72 (c) exception #2  
 NEC 450-3 (b) 1 and 2  
 CEC Part I, 26-256



## HPS Imperator® Machine Tool Industrial Control Transformer

### The Perfect Solution

The HPS Imperator line of machine tool industrial control transformers are specifically designed to meet the high inrush industrial applications where electromagnetic components such as relays, solenoids etc. are used.

- 11 standard voltage groups
- VA range from 50VA to 1500VA
- Available with standard secondary and optional primary fuse kits
- Optional finger safe terminal covers
- Patented unique terminal block design
- Innovative fusing method
- Lifetime warranty (limited)

The HPS Imperator provides the perfect solution for any applications.

### Superior Quality and Value

The HPS Imperator design, utilizing superior insulation systems and being constructed with high quality silicon steel laminations for optimum performance, will meet or exceed UL and CE standards.

Backed by an industry leading LIFETIME warranty, the HPS Imperator industrial control transformer line offers superior performance, quality and value.



### STANDARDS

HPS Imperator Series Control Transformers meet or exceed the standards established by UL, IEC, and NEMA.

<b>Standard</b>	<b>File #</b>	<b>VA Size</b>
UL (ANSI/UL 506)	E50394	All
IEC 61558		All (excluding PH***AJ & PH***AR)
NEMA (ST-1)		All



At HPS, we rate the VA capacity of our transformers at the output ..... where it counts. Other transformer manufacturers rate their capacity on the input side of the transformer, which can result in a 5% to 20% lower actual VA at the output.

## MACHINE TOOL INDUSTRIAL CONTROL TRANSFORMER SELECTION

Selecting a control transformer requires that you have first hand knowledge of the application for the transformer and that you understand some basic terms related to the selection process. By using the following information, you will be sure to select the HPS Imperator® control transformer which best meets your application.

The HPS Imperator® series machine tool control transformers are specifically designed for high inrush applications requiring reliable output voltage stability. Designed to meet industrial applications where electromagnetic devices such as relays, solenoids, etc. are used, the HPS Imperator series transformers maximize inrush capability and output voltage regulation when electromagnetic devices are initially energized.

To select the proper transformer, three characteristics of the load circuit must first be determined. They are total steady-state (sealed) VA, total inrush VA, and inrush load power factor.

**(A) The total steady state “sealed” VA is the amount of VA that the transformer must supply to the load circuit for an extended length of time.** Simply add the total steady-state VA of all devices in your control circuit. The operating VA data of these components is available from the manufacturers.

**(B) The total inrush VA is the amount of VA that the transformer must supply for all components in the control circuit which are energized together.** Some consideration to the start-up sequence may be required. Inrush VA should be obtained from the device manufacturer.

**(C) The inrush load power factor is difficult to determine without detailed vector analysis of all the control circuit components.** Such information is not generally available. Therefore, HPS is recommending that a 40% power factor be utilized. Although some other control transformer manufacturers still recommend a power factor of only 20%, HPS, through recent tests conducted on many popular brands of control devices, has determined that the 40% power factor value is more accurate.

Once the above circuit variables have been determined, transformer selection is a six step process.

### SIX EASY STEPS

1. Determine what your Primary (supply) and Secondary (output) voltage requirements are, as well as your required frequency (i.e. 60 Hz)
2. Calculate the Total Sealed VA of your circuit. (See Step A)
3. Calculate the Inrush VA by adding the inrush VA of all components being energized together. Remember to add the sealed VA of all components that do not have inrush VA, (lamps, timers etc.) as they present a load to the transformer during maximum inrush. If the inrush for the components in your circuit are not known, assume a 40% Inrush Power Factor.
4. Calculate the Total Inrush VA using one of the two methods:

A. 
$$\text{Total Inrush VA} = \sqrt{(\text{VA sealed})^2 + (\text{VA inrush})^2}$$

**OR**

B. 
$$\text{Total Inrush VA} = \text{VA Sealed} + \text{VA Inrush}$$

Note: method B will result in a slightly larger transformer being selected.

For VA sealed definition please refer to 1 (A).  
For VA inrush definition please refer to 1 (B).

5. If the nominal supply voltage does not fluctuate more than 5%, then reference the 90% secondary voltage column in the Regulation Data Table for the correct VA rating.

If the supply voltage varies upwards of 10%, the 95% secondary voltage column should be used to size the transformer.

Current standards require electromagnetic devices to operate reliably at a minimum of 85% of their rated voltage. However, contact life may be affected with continuous start-ups at that voltage level. Therefore, the minimum 85% secondary voltage column should only be used as a reference.

6. Using the regulation data tables below, select the appropriate VA rated transformer:

A) With a continuous VA rating that is equal to or greater than the value in Step 2.

B) With a maximum inrush VA equal to or greater than the value obtained in Step 4.

To determine the correct HPS transformer and its catalog part number, just refer to the tables in this catalog for the voltage ratings, frequency and corresponding VA required.

**HPS IMPERATOR® TRANSFORMERS  
REGULATION DATA TABLE**

Continuous VA Transformer Nameplate Rating	Inrush VA @ 40% Power Factor		
	85% Secondary Voltage	90% Secondary Voltage	95% Secondary Voltage
50	330	259	192
75	350	258	170
100	620	467	321
150	895	699	512
250	1596	1229	880
350	2464	1889	1345
500	3939	2854	1819
750	6422	4778	3228
1000	9842	7102	4530
1500	12797	9018	5489

It is recommended that a control transformer be sized at a 40% Power Factor. Some components in a circuit, such as electromagnetic devices, typically operate at that level due to their inherently lower power factor. Selecting a transformer at 40% Power Factor will more than adequately size the unit for all the various loads in the circuit.

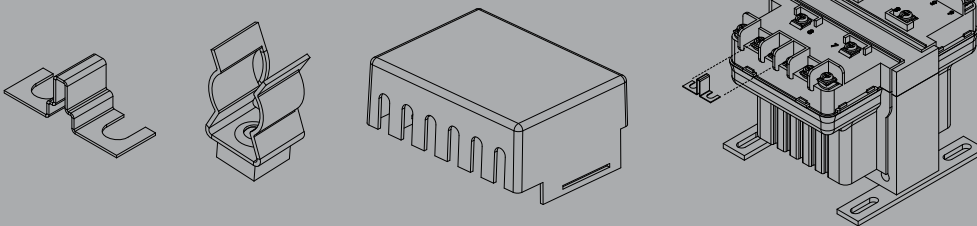
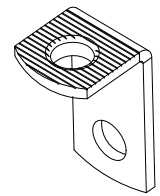
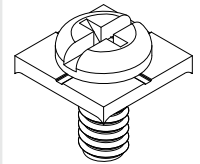


## FEATURES & BENEFITS

- 600V class, machine tool rated industrial control transformers
- 11 standard multi primary and secondary voltage groups available<sup>1</sup>
- 50/60 Hertz (60Hz on PH\*\*\*AJ & PH\*\*\*AR)
- VA range from 50 to 1500<sup>1</sup>
- Superior insulation system
- 50-150VA, temperature rise 55°C, insulation class 105°C
- 250-1500VA, temperature rise 80°C, insulation class 130°C
- Constructed with high quality silicon steel laminations that provide optimum performance and reliability
- Encapsulated copper wound coils encased in a custom injection molded cover, protects coils and terminations from moisture, dirt and other industrial airborne contaminants
- Mounting Feet: made of heavy steel and welded or bolted to the core, these mounting feet provide superior strength in a compact design.
- Termination: combination slot/Phillips #6 screw, complete with SEMS washer (suitable for 18 AWG to 14 AWG solid or 14 AWG stranded wire)
- Standard SEMS washers - supplied on all units<sup>2</sup>
- Standard secondary fuse kits - utilizing 13/32" x 1 1/2" midget/type CC fuse clips
- Optional primary fuse kits available utilizing 13/32" x 1 1/2" midget/type CC fuse clips
- Optional finger safe terminal covers available on all units
- Seismically certified in accordance with IBC 2009; Section 1613 Earthquake Loads, for  $S_{DS} \leq 2.00g$ ,  $z/h = 1.0$ , and  $I_p = 1.5$
- UL Listed (approved for U.S. and Canada)
- CE Mark standard on all units (excluding PH\*AR and PH\*AJ)
- LIFETIME Warranty (Limited)
- RoHS Compliant

<sup>1</sup> special voltages and VA sizes available upon request

<sup>2</sup> excluding PH750PG, PH1000PG, PH750MLI, PH1000MLI



WARRANTY

Lifetime

## FEATURES & BENEFITS CONTINUED

Terminal connection numbers molded into the terminal block and correspond to the nameplate and wiring diagrams, make connecting the HPS Imperator quick and simple.



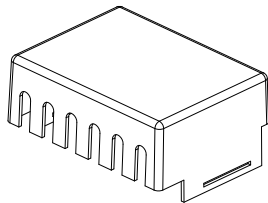
SEMS washer allows for easy connection of supply or load wires with or without terminal connectors.

Standard secondary and optional primary fuse kits utilizing 13/32" x 1 1/2" midget/type CC fuse clips provide an economical solution to your fusing requirements (fuses not available).



Innovative terminal block design provides for easy hook-up and installation of fuse clips.

Optional removable finger safe terminal covers available on all units.



Custom injection molded coil cover with its unique "fin shaped" design combines superior cooling properties with a clean, bold look.

Made of heavy steel and welded or bolted to the core, these mounting feet provide superior strength in a compact design.



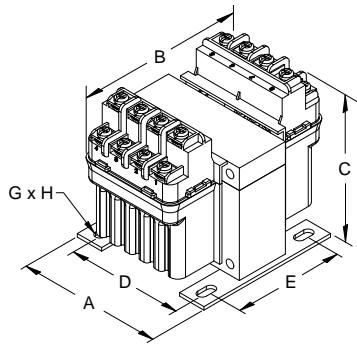


FIGURE A

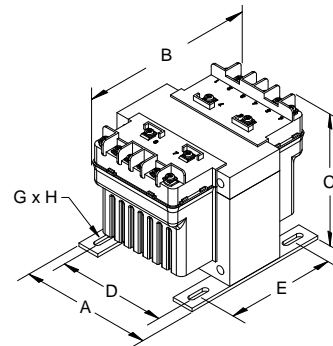


FIGURE B

## Group A

Primary Voltage: **600** || 575 || 550  
 Secondary Voltage: **120 X 240** || 115 X 230 || 110 X 220



60 Hertz

VA Rating	Catalog Number	Mtg. Fig.	Output Amps	Overall Dimensions			Mounting Centers		Mounting Slot	Height with Finger Guard	Depth with Finger Guard	Approx. Ship Weight Lbs.	Optional Primary Fuse Kit P/N	Optional Unfused and Fused Finger Guard Kit P/N
				A	B	C	D	E	G X H					
50	PH50AJ	A	0.42/0.21	3.00	3.81	3.19	2.50	2.25	0.22 x 0.44	4.00	5.25	2.70	PFK1	FG1*/FGF1
75	PH75AJ	A	0.63/0.31	3.25	3.69	3.56	2.63	2.50	0.22 x 0.44	4.37	5.13	2.80	PFK1	FG2*/FGF2
100	PH100AJ	A	0.83/0.42	3.25	4.06	3.63	2.63	2.63	0.22 x 0.44	4.44	5.50	4.10	PFK1	FG2*/FGF2
150	PH150AJ	B	1.25/0.63	4.00	4.63	3.81	3.38	2.75	0.22 x 0.75	4.50	6.13	4.90	PFK2	FG3
250	PH250AJ	B	2.08/1.04	4.50	5.25	3.81	3.75	3.13	0.22 x 0.75	4.50	6.75	6.97	PFK2	FG3
350	PH350AJ	B	2.92/1.46	4.50	4.88	4.44	3.75	3.75	0.22 x 0.75	5.18	6.38	8.30	PFK3	FG4
500	PH500AJ	B	4.17/2.08	4.75	5.56	4.31	4.06	3.44	0.31 x 0.94	5.13	7.06	11.6	PFK3	FG4
750	PH750AJ	B	6.25/3.13	5.13	6.38	4.31	4.38	4.00	0.31 x 0.81	5.13	8.13	16.6	PFK3	FG4
1000	PH1000AJ	B	8.33/4.17	5.25	6.50	4.94	4.50	4.09	0.31 x 0.81	5.56	8.00	21.0	PFK3	FG5
1500	PH1500AJ	B	12.5/6.25	5.25	7.56	4.94	4.50	5.44	0.38 x 1.00	5.56	9.06	30.0	PFK3	FG5

Secondary fuse clips, fuse clip mounting screws and primary and secondary voltage links/jumpers supplied standard with transformers.

All dimensions in inches

\*Note: Unfused finger guard kits are marked with an asterisk, for more information refer to page 43. Refer to page 62 for wiring schematic drawing. Custom voltage and VA sizes available upon request.

## Group B

Primary Voltage: **600** || 575 || 550  
 Secondary Voltage: **12 X 24** || 11.5 X 23 || 11 X 22



60 Hertz

VA Rating	Catalog Number	Mtg. Fig.	Output Amps	Overall Dimensions			Mounting Centers		Mounting Slot	Height with Finger Guard	Depth with Finger Guard	Approx. Ship Weight Lbs.	Optional Primary Fuse Kit P/N	Optional Unfused and Fused Finger Guard Kit P/N
				A	B	C	D	E	G X H					
50	PH50AR	A	4.17/2.08	3.00	3.81	3.19	2.50	2.25	0.22 x 0.44	4.00	5.25	2.70	PFK1	FG1*/FGF1
75	PH75AR	A	6.25/3.13	3.25	3.69	3.56	2.63	2.50	0.22 x 0.44	4.37	5.13	2.80	PFK1	FG2*/FGF2
100	PH100AR	A	8.33/4.17	3.25	4.19	3.63	2.63	2.63	0.22 x 0.44	4.50	5.63	4.50	PFK1	FG2*/FGF2
150	PH150AR	B	12.5/6.25	4.00	4.94	3.81	3.38	2.75	0.22 x 0.75	4.50	6.44	5.70	PFK2	FG3
250	PH250AR	B	20.8/10.4	4.50	5.44	3.81	3.75	3.13	0.22 x 0.75	4.50	6.94	7.50	PFK2	FG3
350	PH350AR	B	29.2/14.6	4.50	4.88	4.44	3.75	3.75	0.22 x 0.75	5.18	6.38	8.30	PFK3	FG4
500	PH500AR	B	41.7/20.8	4.75	5.56	4.31	4.06	3.44	0.31 x 0.94	5.13	7.06	11.6	PFK3	FG4

Secondary fuse clips, fuse clip mounting screws and primary and secondary voltage links/jumpers supplied with transformers.

All dimensions in inches

\*Note: Unfused finger guard kits are marked with an asterisk, for more information refer to page 43. Refer to page 63 for wiring schematic drawing. Custom voltages and VA sizes available upon request.

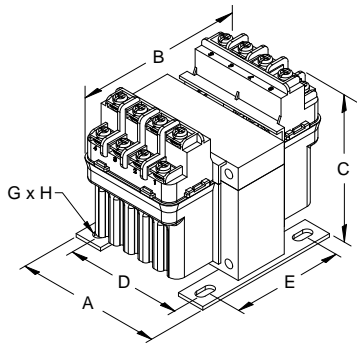


FIGURE A

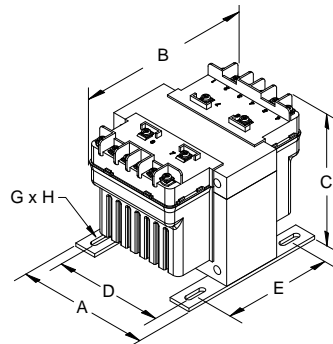


FIGURE B

## Group C

**Primary Voltage:** 240 X 480 || 230 X 460 || 220 X 440  
**Secondary Voltage:** 120 X 240 || 115 X 230 || 110 X 220



50/60 Hertz

VA Rating	Catalog Number	Mtg. Fig.	Output Amps	Overall Dimensions			Mounting Centers		Mounting Slot G X H	Height with Finger Guard	Depth with Finger Guard	Approx. Ship Weight Lbs.	Optional Primary Fuse Kit P/N	Optional Unfused and Fused Finger Guard Kit P/N
				A	B	C	D	E						
50	PH50QMJ	A	0.42/0.21	3.00	4.38	3.19	2.50	2.25	0.22 x 0.44	4.00	5.82	3.50	PFK1	FG1*/FGF1
75	PH75QMJ	A	0.63/0.31	3.25	3.88	3.56	2.63	2.50	0.22 x 0.44	4.37	5.32	3.54	PFK1	FG2*/FGF2
100	PH100QMJ	A	0.83/0.42	3.25	4.19	3.63	2.63	2.63	0.22 x 0.44	4.50	5.63	4.50	PFK1	FG2*/FGF2
150	PH150QMJ	B	1.25/0.63	4.00	4.94	3.81	3.38	2.75	0.22 x 0.75	4.50	6.44	5.70	PFK2	FG3
250	PH250QMJ	B	2.08/1.04	4.50	5.44	3.81	3.75	3.13	0.22 x 0.75	4.50	6.94	7.50	PFK2	FG3
350	PH350QMJ	B	2.92/1.46	4.50	5.19	4.44	3.75	3.75	0.22 x 0.75	5.18	6.69	10.1	PFK3	FG4
500	PH500QMJ	B	4.17/2.08	4.75	5.94	4.31	4.06	3.81	0.31 x 0.94	5.13	7.44	14.2	PFK3	FG4
750	PH750QMJ	B	6.25/3.13	5.13	6.69	4.31	4.38	4.31	0.31 x 0.81	5.13	8.19	16.6	PFK3	FG4
1000	PH1000QMJ	B	8.33/4.17	5.25	6.81	4.94	4.50	4.44	0.31 x 0.81	5.56	8.31	23.6	PFK3	FG5
1500	PH1500QMJ	B	12.5/6.25	5.25	8.19	4.94	4.50	6.06	0.38 x 1.00	5.56	9.69	32.0	PFK3	FG5

Secondary fuse clips, fuse clip mounting screws and primary and secondary voltage links/jumpers supplied standard with transformers. All dimensions in inches  
 \*Note: Unfused finger guard kits are marked with an asterisk, for more information refer to page 43.  
 Refer to page 64 for wiring schematic drawing. Custom voltages and VA sizes available upon request.  
 \*\*\* Available with FACTORY INSTALLED Primary and Secondary Fuse Kits up to 1500VA. To order, add the suffix "-FK" to the above part number. Refer to page 42 for details. \*\*\*

## Group D

**Primary Voltage:** 240 X 480 || 230 X 460 || 220 X 440  
**Secondary Voltage:** 12 X 24 || 11.5 X 23 || 11 X 22



50/60 Hertz

VA Rating	Catalog Number	Mtg. Fig.	Output Amps	Overall Dimensions			Mounting Centers		Mounting Slot G X H	Height with Finger Guard	Depth with Finger Guard	Approx. Ship Weight Lbs.	Optional Primary Fuse Kit P/N	Optional Unfused and Fused Finger Guard Kit P/N
				A	B	C	D	E						
50	PH50QR	A	4.17/2.08	3.00	4.38	3.19	2.50	2.25	0.22 x 0.44	4.00	5.82	3.50	PFK1	FG1*/FGF1
75	PH75QR	A	6.25/3.13	3.25	3.88	3.56	2.63	2.50	0.22 x 0.44	4.37	5.32	3.54	PFK1	FG2*/FGF2
100	PH100QR	A	8.33/4.17	3.25	4.19	3.63	2.63	2.63	0.22 x 0.44	4.50	5.63	4.50	PFK1	FG2*/FGF2
150	PH150QR	B	12.5/6.25	4.00	4.94	3.81	3.38	2.75	0.22 x 0.75	4.50	6.44	5.70	PFK2	FG3
250	PH250QR	B	20.8/10.4	4.50	5.44	3.81	3.75	3.13	0.22 x 0.75	4.50	6.94	7.50	PFK2	FG3
350	PH350QR	B	29.2/14.6	4.50	5.19	4.44	3.75	3.75	0.22 x 0.75	5.18	6.69	10.1	PFK3	FG4
500	PH500QR	B	41.7/20.8	4.75	5.94	4.31	4.06	3.81	0.31 x 0.94	5.13	7.44	14.2	PFK3	FG4

Secondary fuse clips, fuse clip mounting screws and primary and secondary voltage links/jumpers supplied standard with transformers. All dimensions in inches  
 \*Note: Unfused finger guard kits are marked with an asterisk, for more information refer to page 43.  
 Refer to page 65 for wiring schematic drawing. Custom voltages and VA sizes available upon request.

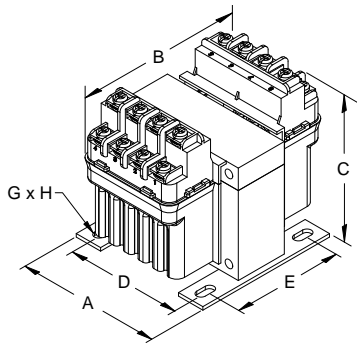


FIGURE A

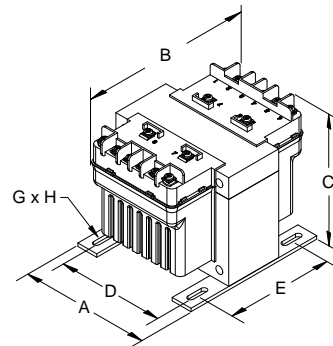


FIGURE B

## Group E

Primary Voltage: **208 X 416** || 200 X 400 || 190 X 380  
 Secondary Voltage: **120 X 240** || 115 X 230 || 110 X 220



50/60 Hertz

VA Rating	Catalog Number	Mtg. Fig.	Output Amps	Overall Dimensions			Mounting Centers		Mounting Slot	Height with Finger Guard	Depth with Finger Guard	Approx. Ship Weight Lbs.	Optional Primary Fuse Kit P/N	Optional Unfused and Fused Finger Guard Kit P/N
				A	B	C	D	E	G X H					
50	PH50SP	A	0.42/0.21	3.00	4.38	3.19	2.50	2.25	0.22 x 0.44	4.00	5.82	3.50	PFK1	FG1*/FGF1
75	PH75SP	A	0.63/0.31	3.25	3.88	3.56	2.63	2.50	0.22 x 0.44	4.37	5.32	3.54	PFK1	FG2*/FGF2
100	PH100SP	A	0.83/0.42	3.25	4.19	3.63	2.63	2.63	0.22 x 0.44	4.50	5.63	4.50	PFK1	FG2*/FGF2
150	PH150SP	B	1.25/0.63	4.00	4.94	3.81	3.38	2.75	0.22 x 0.75	4.50	6.44	5.70	PFK2	FG3
250	PH250SP	B	2.08/1.04	4.50	5.44	3.81	3.75	3.13	0.22 x 0.75	4.50	6.94	7.50	PFK2	FG3
350	PH350SP	B	2.92/1.46	4.50	5.19	4.44	3.75	3.75	0.22 x 0.75	5.18	6.69	10.1	PFK3	FG4
500	PH500SP	B	4.17/2.08	4.75	5.94	4.31	4.06	3.81	0.31 x 0.94	5.13	7.44	14.2	PFK3	FG4
750	PH750SP	B	6.25/3.13	5.13	6.69	4.31	4.38	4.31	0.31 x 0.81	5.13	8.19	16.6	PFK3	FG4
1000	PH1000SP	B	8.33/4.17	5.25	6.81	4.94	4.50	4.44	0.31 x 0.81	5.56	8.31	23.6	PFK3	FG5

Secondary fuse clips, fuse clip mounting screws and primary and secondary voltage links/jumpers supplied standard with transformers.  
 \*Note: Unfused finger guard kits are marked with an asterisk, for more information refer to page 43.  
 Refer to page 66 for wiring schematic drawing. Custom voltages and VA sizes available upon request.

All dimensions in inches

## Group F

Primary Voltage: **120 X 240** || 115 X 230 || 110 X 220  
 Secondary Voltage: **120 X 240** || 115 X 230 || 110 X 220



50/60 Hertz

VA Rating	Catalog Number	Mtg. Fig.	Output Amps	Overall Dimensions			Mounting Centers		Mounting Slot	Height with Finger Guard	Depth with Finger Guard	Approx. Ship Weight Lbs.	Optional Primary Fuse Kit P/N	Optional Unfused and Fused Finger Guard Kit P/N
				A	B	C	D	E	G X H					
50	PH50PP	A	0.42/0.21	3.00	4.38	3.19	2.50	2.25	0.22 x 0.44	4.00	5.82	3.50	PFK1	FG1*/FGF1
75	PH75PP	A	0.63/0.31	3.25	3.88	3.56	2.63	2.50	0.22 x 0.44	4.37	5.32	3.54	PFK1	FG2*/FGF2
100	PH100PP	A	0.83/0.42	3.25	4.19	3.63	2.63	2.63	0.22 x 0.44	4.50	5.63	4.50	PFK1	FG2*/FGF2
150	PH150PP	B	1.25/0.63	4.00	4.94	3.81	3.38	2.75	0.22 x 0.75	4.50	6.44	5.70	PFK2	FG3
250	PH250PP	B	2.08/1.04	4.50	5.44	3.81	3.75	3.13	0.22 x 0.75	4.50	6.94	7.50	PFK2	FG3
350	PH350PP	B	2.92/1.46	4.50	5.19	4.44	3.75	3.75	0.22 x 0.75	5.18	6.69	10.1	PFK3	FG4
500	PH500PP	B	4.17/2.08	4.75	5.94	4.31	4.06	3.81	0.31 x 0.94	5.13	7.44	14.2	PFK3	FG4
750	PH750PP	B	6.25/3.13	5.13	6.69	4.31	4.38	4.31	0.31 x 0.81	5.13	8.19	16.6	PFK3	FG4
1000	PH1000PP	B	8.33/4.17	5.25	6.81	4.94	4.50	4.44	0.31 x 0.81	5.56	8.31	23.6	PFK3	FG5
1500	PH1500PP	B	12.5/6.25	5.25	8.19	4.94	4.50	6.06	0.38 x 1.0	5.56	9.69	32.0	PFK3	FG5

Secondary fuse clips, fuse clip mounting screws and primary and secondary voltage links/jumpers supplied standard with transformers.  
 \*Note: Unfused finger guard kits are marked with an asterisk, for more information refer to page 43.  
 Refer to page 67 for wiring schematic drawing. Custom voltages and VA sizes available upon request.

All dimensions in inches



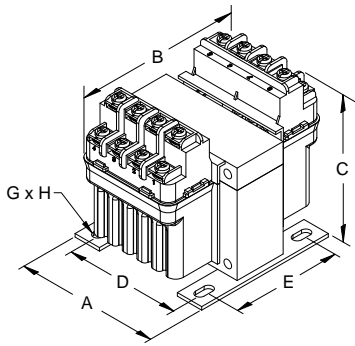


FIGURE A

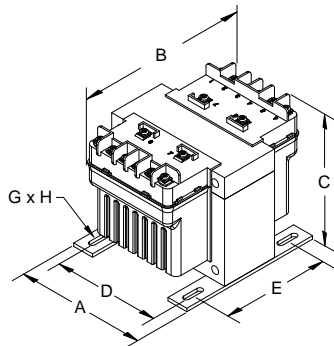


FIGURE B

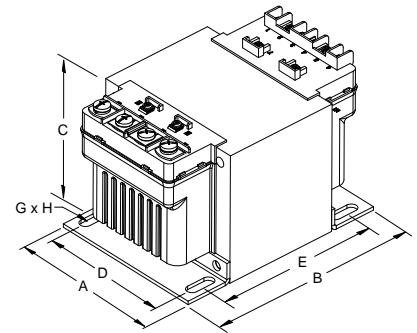


FIGURE C

## Group G

Primary Voltage: 120 X 240 || 115 X 230 || 110 X 220  
 Secondary Voltage: 12 X 24 || 11.5 X 23 || 11 X 22

  50/60 Hertz

VA Rating	Catalog Number	Mtg. Fig.	Output Amps	Overall Dimensions			Mounting Centers		Mounting Slot G X H	Height with Finger Guard	Depth with Finger Guard	Approx. Ship Weight Lbs.	Optional Primary Fuse Kit P/N	Optional Unfused and Fused Finger Guard Kit P/N
				A	B	C	D	E						
50	PH50PG	A	4.17/2.08	3.00	4.38	3.19	2.50	2.25	0.22 x 0.44	4.00	5.82	3.50	PFK1	FG1*/FGF1
75	PH75PG	A	6.25/3.13	3.25	3.88	3.56	2.63	2.50	0.22 x 0.44	4.37	5.32	3.54	PFK1	FG2*/FGF2
100	PH100PG	A	8.33/4.17	3.25	4.19	3.63	2.63	2.63	0.22 x 0.44	4.50	5.63	4.50	PFK1	FG2*/FGF2
150	PH150PG	B	12.5/6.25	4.00	4.94	3.81	3.38	2.75	0.22 x 0.75	4.50	6.44	5.70	PFK2	FG3
250	PH250PG	B	20.8/10.4	4.50	5.44	3.81	3.75	3.13	0.22 x 0.75	4.50	6.94	7.50	PFK2	FG3
350	PH350PG	B	29.2/14.6	4.50	5.19	4.44	3.75	3.75	0.22 x 0.75	5.18	6.69	10.1	PFK3	FG4
500	PH500PG	B	41.7/20.8	4.75	5.94	4.31	4.06	3.81	0.31 x 0.94	5.13	7.44	14.2	PFK3	FG4
750	PH750PG	C	62.5/31.3	5.25	6.25	4.94	4.38	4.31	0.31 x 0.81	5.56	7.88	16.6	PFK3	FG5
1000	PH1000PG	C	83.3/41.7	5.25	6.81	4.94	4.50	4.44	0.31 x 0.81	5.56	8.31	23.6	PFK3	FG5

Secondary fuse clips and fuse clip mounting screws supplied standard with transformers up to and including 500VA. Primary and Secondary voltage links/jumpers supplied standard with transformers. All dimensions in inches

\*Note: Unfused finger guard kits are marked with an asterisk, for more information refer to page 43.

Refer to page 68 for wiring schematic drawing. Custom voltages and VA sizes available upon request.

\*\*\* Available with FACTORY INSTALLED Primary and Secondary Fuse Kits up to 1000VA. To order, add the suffix "-FK" to the above part number. Refer to page 42 for details. \*\*\*

## Group H

Primary Voltage: 600/480/240 || 575/460/230 || 550/440/220  
 Secondary Voltage: 120/100 || 115/95 || 110/90

  50/60 Hertz

VA Rating	Catalog Number	Mtg. Fig.	Output Amps	Overall Dimensions			Mounting Centers		Mounting Slot G X H	Height with Finger Guard	Depth with Finger Guard	Approx. Ship Weight Lbs.	Optional Primary Fuse Kit P/N	Optional Unfused and Fused Finger Guard Kit P/N
				A	B	C	D	E						
50	PH50MBMH	A	0.43	3.25	4.06	3.63	2.63	2.63	0.22 x 0.44	4.50	5.50	4.10	PFK5	FG2*/FGF2
75	PH75MBMH	A	0.65	3.25	4.19	3.63	2.63	2.63	0.22 x 0.44	4.50	5.63	4.50	PFK5	FG2*/FGF2
100	PH100MBMH	B	0.87	4.00	4.63	3.81	3.38	2.75	0.22 x 0.75	4.50	6.25	4.90	PFK6	FG3
150	PH150MBMH	B	1.30	4.00	5.44	3.81	3.38	2.75	0.22 x 0.75	4.50	6.94	7.60	PFK6	FG3
250	PH250MBMH	B	2.17	4.50	5.19	4.44	3.75	3.75	0.22 x 0.75	5.18	6.69	10.1	PFK6	FG4
350	PH350MBMH	B	3.04	4.50	5.56	4.44	3.75	3.75	0.22 x 0.75	5.18	7.06	11.0	PFK7	FG4
500	PH500MBMH	B	4.35	4.75	6.69	4.31	4.06	4.50	0.31 x 0.94	5.13	8.19	16.3	PFK7	FG4
750	PH750MBMH	B	6.52	5.25	6.81	4.94	4.50	4.44	0.31 x 0.81	5.56	8.31	23.6	PFK7	FG5
1000	PH1000MBMH	B	8.70	5.25	8.19	4.94	4.50	5.81	0.31 x 0.81	5.56	9.69	31.2	PFK7	FG5
1500	PH1500MBMH	B	13.0	5.25	8.19	4.94	4.50	6.06	0.38 x 1.0	5.56	9.69	32.0	PFK7	FG5

Secondary fuse clips, fuse clip mounting screws and primary and secondary voltage links/jumpers supplied standard with transformers. All dimensions in inches

\*Note: Unfused finger guard kits are marked with an asterisk, for more information refer to page 43.

Refer to page 69 for wiring schematic drawing. Custom voltage and VA sizes available upon request.

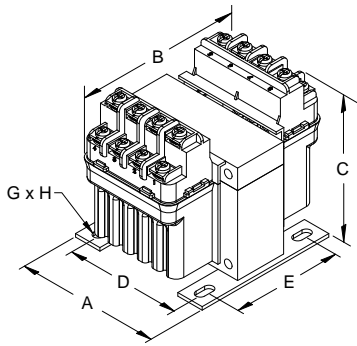


FIGURE A

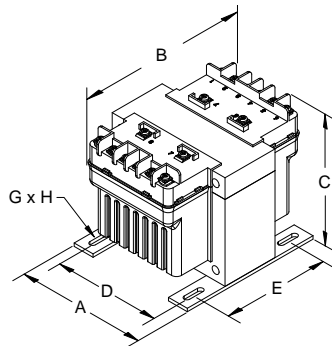


FIGURE B

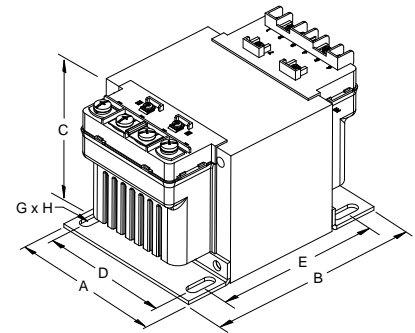


FIGURE C

## Group I

Primary Voltage: 480/240 || **460/230/208** || 440/220/200  
 Secondary Voltage: 120/25 || **115/24** || 110/23



VA Rating	Catalog Number	Mtg. Fig.	Output Amps	Overall Dimensions			Mounting Centers		Mounting Slot G X H	Height with Finger Guard	Depth with Finger Guard	Approx. Ship Weight Lbs.	Optional Primary Fuse Kit P/N	Optional Unfused and Fused Finger Guard Kit P/N
				A	B	C	D	E						
50	PH50MLI	A	0.43/2.08	3.25	4.06	3.56	2.63	2.50	0.22 x 0.44	4.37	5.50	4.00	PFK5	FG2*/FGF2
75	PH75MLI	A	0.65/3.13	3.25	4.25	3.56	2.63	2.50	0.22 x 0.44	4.37	5.63	4.60	PFK5	FG2*/FGF2
100	PH100MLI	A	0.87/4.17	3.25	4.69	3.63	2.63	2.63	0.22 x 0.44	4.50	6.25	5.20	PFK5	FG2*/FGF2
150	PH150MLI	B	1.30/6.25	4.00	5.44	3.81	3.38	2.75	0.22 x 0.75	4.50	6.94	7.60	PFK6	FG3
250	PH250MLI	B	2.17/10.42	4.50	5.19	4.44	3.75	3.75	0.22 x 0.75	5.18	6.69	10.1	PFK6	FG4
350	PH350MLI	B	3.04/14.58	4.50	5.56	4.44	3.75	3.75	0.22 x 0.75	5.18	7.06	11.0	PFK7	FG4
500	PH500MLI	B	4.35/20.83	4.75	6.69	4.31	4.06	4.50	0.31 x 0.94	5.13	8.19	16.3	PFK7	FG4
750	PH750MLI	C	6.52/31.25	5.25	6.50	4.94	4.50	4.13	0.31 x 0.81	5.56	8.31	21.0	PFK7	FG5
1000	PH1000MLI	C	8.70/41.67	5.25	8.19	4.94	4.50	5.81	0.31 x 0.81	5.56	9.69	31.2	PFK7	FG5

Secondary fuse clips and fuse clip mounting screws supplied standard with transformers up to and including 500VA. All dimensions in inches  
 Primary and Secondary voltage links/jumpers supplied standard with transformers up to and including 1000VA.  
 \*Note: Unfused finger guard kits are marked with an asterisk, for more information refer to page 43.  
 Refer to page 70 for wiring schematic drawing. Custom voltages and VA sizes available upon request.  
 \*\*\* Available with FACTORY INSTALLED Primary and Secondary Fuse Kits up to 1000VA. To order, add the suffix "-FK" to the above part number. Refer to page 42 for details. \*\*\*

## Group J

Primary Voltage: 415/400/380  
 Secondary Voltage: 110 X 220



VA Rating	Catalog Number	Mtg. Fig.	Output Amps	Overall Dimensions			Mounting Centers		Mounting Slot G X H	Height with Finger Guard	Depth with Finger Guard	Approx. Ship Weight Lbs.	Optional Primary Fuse Kit P/N	Optional Unfused and Fused Finger Guard Kit P/N
				A	B	C	D	E						
50	PH50MEMX	A	0.45/0.23	3.00	4.38	3.19	2.50	2.25	0.22 x 0.44	4.00	5.82	3.50	PFK4	FG1*/FGF1
75	PH75MEMX	A	0.68/0.34	3.25	4.06	3.63	2.63	2.63	0.22 x 0.44	4.44	5.50	4.10	PFK5	FG2*/FGF2
100	PH100MEMX	A	0.91/0.45	3.25	4.19	3.63	2.63	2.63	0.22 x 0.44	4.44	5.63	4.50	PFK5	FG2*/FGF2
150	PH150MEMX	B	1.36/0.68	4.00	4.94	3.81	3.38	2.75	0.22 x 0.75	4.50	6.44	5.70	PFK6	FG3
250	PH250MEMX	B	2.27/1.14	4.50	5.44	3.81	3.75	3.13	0.22 x 0.75	4.50	6.94	7.50	PFK6	FG3
350	PH350MEMX	B	3.18/1.59	4.50	5.19	4.44	3.75	3.75	0.22 x 0.75	5.18	6.69	10.1	PFK7	FG4
500	PH500MEMX	B	4.55/2.27	4.75	5.94	4.31	4.06	3.81	0.31 x 0.94	5.13	7.44	14.2	PFK7	FG4
750	PH750MEMX	B	6.82/3.41	5.25	6.50	4.94	4.50	4.13	0.31 x 0.81	5.56	8.00	21.0	PFK7	FG5
1000	PH1000MEMX	B	9.09/4.55	5.25	6.81	4.94	4.50	4.44	0.31 x 0.81	5.56	8.31	23.6	PFK7	FG5

Secondary fuse clips, fuse clip mounting screws and primary and secondary voltage links/jumpers supplied standard with transformers. All dimensions in inches  
 \*Note: Unfused finger guard kits are marked with an asterisk, for more information refer to page 43.  
 Refer to page 71 for wiring schematic drawing. Custom voltages and VA sizes available upon request.



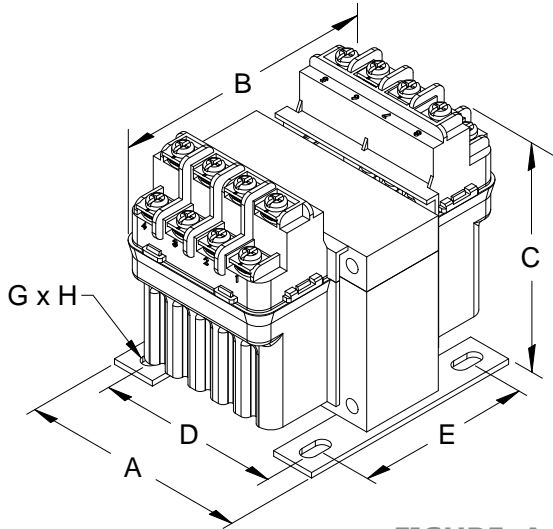


FIGURE A

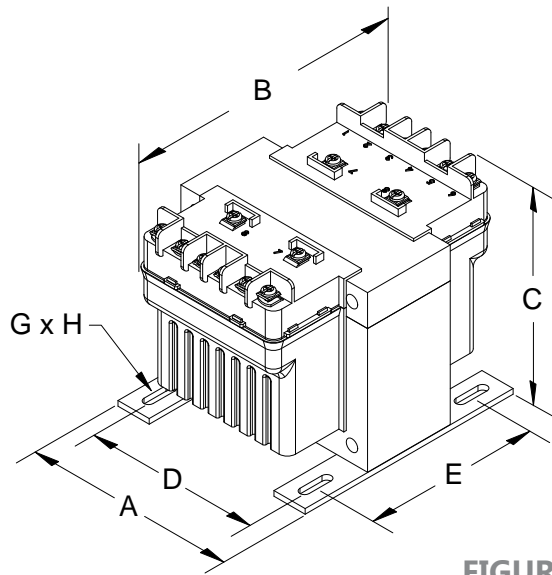


FIGURE B

## Group K

Primary Voltage: 380/277/208

Secondary Voltage: 120 X 240



50/60 Hertz

VA Rating	Catalog Number	Mtg. Fig.	Output Amps	Overall Dimensions			Mounting Centers		Mounting Slot G X H	Height with Finger Guard	Depth with Finger Guard	Approx. Ship Weight Lbs.	Optional Primary Fuse Kit P/N	Optional Unfused and Fused Finger Guard Kit P/N
				A	B	C	D	E						
50	PH50MGJ	A	0.42/0.21	3.25	3.88	3.56	2.63	2.50	0.22 x 0.44	4.37	5.32	3.54	PFK5	FG2*/FGF2
75	PH75MGJ	A	0.63/0.31	3.25	4.19	3.63	2.63	2.63	0.22 x 0.44	4.44	5.63	4.50	PFK5	FG2*/FGF2
100	PH100MGJ	A	0.83/0.42	3.25	4.69	3.63	2.63	2.63	0.22 x 0.44	4.50	6.13	5.20	PFK5	FG2*/FGF2
150	PH150MGJ	B	1.25/0.63	4.00	5.44	3.81	3.38	2.75	0.22 x 0.75	4.50	6.94	7.60	PFK6	FG3
250	PH250MGJ	B	2.08/1.04	4.50	4.88	4.44	3.75	3.75	0.22 x 0.75	5.18	6.38	8.30	PFK6	FG4
350	PH350MGJ	B	2.92/1.46	4.50	5.56	4.44	3.75	3.75	0.22 x 0.75	5.18	7.06	11.0	PFK7	FG4
500	PH500MGJ	B	4.17/2.08	4.75	6.69	4.31	4.06	4.50	0.31 x 0.94	5.13	8.19	16.3	PFK7	FG4
750	PH750MGJ	B	6.25/3.13	5.25	6.81	4.94	4.50	4.44	0.31 x 0.81	5.56	8.31	23.6	PFK7	FG5
1000	PH1000MGJ	B	8.33/4.17	5.25	7.25	4.94	4.50	4.83	0.31 x 0.81	5.56	9.69	25.5	PFK7	FG5

Secondary fuse clips, fuse clip mounting screws and primary and secondary voltage links/jumpers supplied standard with transformers.

All dimensions in inches

\*Note: Unfused finger guard kits are marked with an asterisk, for more information refer to page 43. Refer to page 72 for wiring schematic drawings. Custom voltages and VA sizes available upon request.

## Field Installed Fuse Kits

### Standard Secondary Fuse Kits (Field Installed)

All HPS Imperator control transformers are supplied with standard secondary fuse kits which include: 13/32" x 1 1/2" midget/ type CC fuse clips, fuse clip mounting screws, primary and secondary voltage links and the PHAK1 instruction sheet (note: secondary fuse clips and fuse clip mounting screws are not supplied on the PH750PG, PH1000PG, PH750MLI, and PH1000MLI).

### Optional Primary Fuse Kits (Field Installed)

All HPS Imperator series machine tool industrial control transformers up to and including 1500VA are available with the following optional primary fuse kits:

Kit Part Number	Applicable Transformer Part Number Suffix's	Applicable VA Sizes	Parts Included in Kit
PFK1	Refer to Specification Tables on Pages 36 to 41 for Optional Primary Fuse Kit P/N		4 fuse clips, 4 mtg. screws, PHAK1 instruction sheet
PFK2			4 fuse clips, 4 mtg. screws, PHAK1 instruction sheet
PFK3			4 fuse clips, 4 mtg. screws, PHAK1 instruction sheet
PFK4			4 fuse clips, 4 mtg. screws, 1 jumper, 1 finger guard, PHAK1 instruction sheet
PFK5			4 fuse clips, 4 mtg. screws, 1 jumper, 1 finger guard, PHAK1 instruction sheet
PFK6			4 fuse clips, 4 mtg. screws, 1 jumper wire, PHAK1 instruction sheet
PFK7			4 fuse clips, 4 mtg. screws, 1 jumper wire, PHAK1 instruction sheet

**Note:** Maximum allowable current rating on all primary and secondary fuse kits is 30 amps.

## Factory Installed Fuse Kits

### Factory Installed Primary and Secondary Fuse Kits

HPS now stocks some HPS Imperator series voltage groups with FACTORY INSTALLED primary and secondary fuse clips. To order, just add the suffix "-FK" to the end of the standard part number.

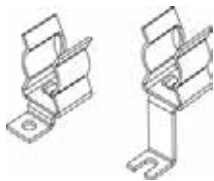
Factory installed fusing only available on units up to 1500VA. The voltage groups that are stocked are:

**Group C (p/n: PH\*\*\*MQMJ-FK) | Group G (p/n: PH\*\*\*PG-FK) | Group I (p/n: PH\*\*\*MLI-FK)**

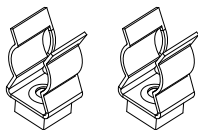
On PH750PG-FK, PH1000PG-FK, PH750MLI-FK, and PH1000MLI-FK, only primary fuse clips are included on factory installed units. Secondary fuse clips are not included or available on these units.

Other voltage groups available with factory installed fuse kits. Please contact your HPS sales or customer service representative for details.

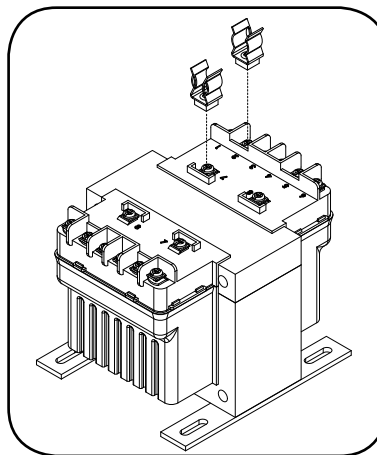
**Note:** All factory installed fuse kits are pre-wired at the transformers highest primary voltage and the lowest secondary voltage. To hook up at a different primary or secondary voltage, please refer to the wiring instruction sheet included with the transformer.



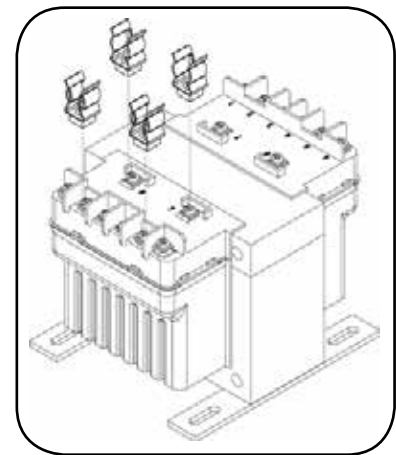
**Sample Accessory Drawing for Fuse Clips**  
(for 50, 75 and 100VA)



**Sample Accessory Drawing for Fuse Clips**  
(for 150VA to 1500VA)



**Sample Assembly Drawing for Secondary Fuse Clip Installation**  
(For 150VA to 1500VA)



**Sample Assembly Drawing for Primary Fuse Clip Installation**  
(For 150VA to 1500VA)

**Note:** HPS Imperator primary and secondary fuse kits are not suitable for branch circuit applications!

## Optional Accessories

### Finger Guards

The HPS Imperator line of machine tool industrial molded control transformers are available with the following optional finger guard kits:

#### Optional Unfused Finger Guard Kits

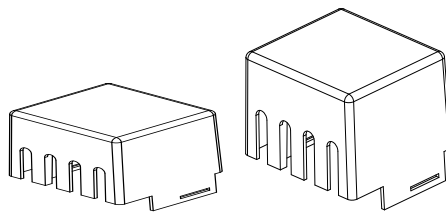
Kit Part Number	Applicable Transformer Part Number Suffixes	Applicable VA Sizes
<b>FG1</b>	AJ, AR, MQMJ, MEMX, QR, SP, PG, PP	50
<b>FG2</b>	MBMH, MGJ, MLI	50
<b>FG2</b>	All	75
<b>FG2</b>	All (excluding PH100MBMH) Refer to FG3, FG4 or FG5 below	100 150 to 1500

**Note:** Each finger guard kit supplies either the primary or secondary side.  
Included in the kit: 1 finger guard (unfused) and PHAK1 instruction sheet

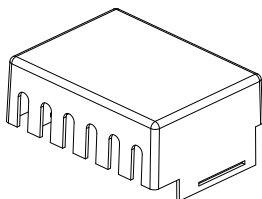
#### Optional Fused Finger Guard Kits

Kit Part Number	Applicable Transformer Part Number Suffixes	Applicable VA Sizes	Parts Included in Kit
<b>FGF1</b>	AJ, AR, MQMJ, MEMX, QR, SP, PG, PP	50	1 finger guard (fused), PHAK1 instruction sheet
<b>FGF2</b>	MBMH, MGJ, MLI	50	1 finger guard (fused), PHAK1 instruction sheet
<b>FGF2</b>	All	75	1 finger guard (fused), PHAK1 instruction sheet
<b>FGF2</b>	All (excluding PH100MBMH)	100	1 finger guard (fused), PHAK1 instruction sheet
<b>FG3</b>	MBMH	100	1 finger guard, PHAK1 instruction sheet
<b>FG3</b>	All	150	1 finger guard, PHAK1 instruction sheet
<b>FG3</b>	AJ, AR, MQMJ, MEMX, QR, SP, PG, PP	250	1 finger guard, PHAK1 instruction sheet
<b>FG4</b>	MBMH, MGJ, MLI	250	1 finger guard, PHAK1 instruction sheet
<b>FG4</b>	All	350, 500	1 finger guard, PHAK1 instruction sheet
<b>FG4</b>	AJ, AR, MQMJ, QR, SP, PP	750	1 finger guard, PHAK1 instruction sheet
<b>FG5</b>	MBMH, MEMX, MGJ, MLI, PG	750	1 finger guard, PHAK1 instruction sheet
<b>FG5</b>	All	1000, 1500	1 finger guard, PHAK1 instruction sheet

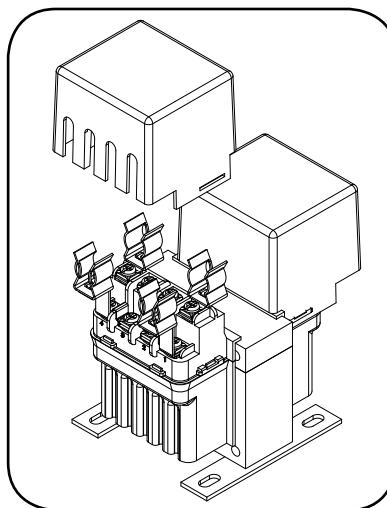
**Note:** Each finger guard kit supplies either the primary or secondary side.



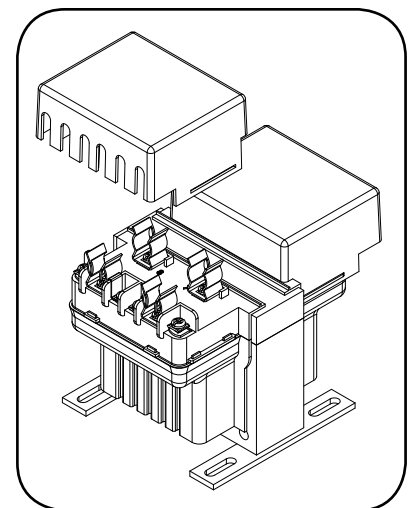
**Sample Accessory Drawing  
for Fused & Unfused  
Finger Guards**  
(for 50, 75 and 100VA)



**Sample Accessory Drawing  
for Finger Guards**  
(for 150VA and 1500VA)



**Sample Assembly Drawing  
for Finger Guard Installation**  
(For 50, 75 and 100VA)



**Sample Assembly Drawing  
for Finger Guard Installation**  
(For 150VA to 1500VA)



## HPS Spartan® Industrial Open-Style Control Transformer

### The Economical Solution

The HPS Spartan® line of industrial control transformers are ideally suited for general purpose, industrial and light duty loads. Designed for applications where high inrush or machine tool duty are not necessary, the HPS Spartan industrial open-style control transformer offers an efficient and economical solution. These units are well suited for HVAC applications, signal and alarm systems, motor control circuits, lighting and circuit isolation.

The HPS Spartan control transformer is an open style unit with molded terminal blocks up to 3000 VA or 30 amps. Optional Finger guards and a fuse block adapter kit are available upon request.

For an economical approach to control transformers, the HPS Spartan is the transformer of choice.

SECTION 1



#### STANDARDS

The HPS Spartan Control Transformers meet or exceed the standards established by UL, CSA, IEC and NEMA.

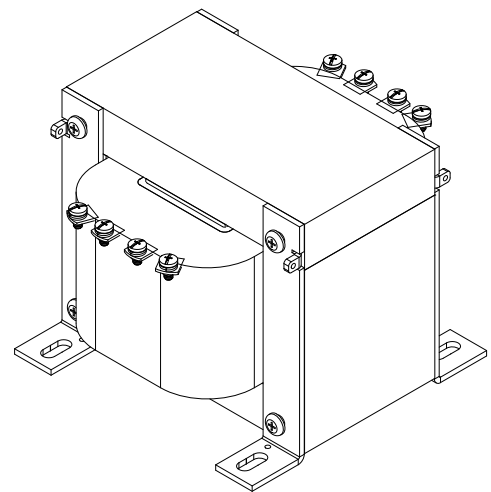
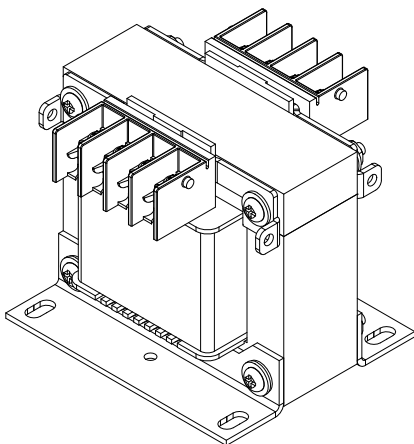
Standard	File #	VA Size
UL (ANSI/UL506)	E50394	All
CSA	LR3902	All
IEC 61558		All
NEMA (ST-1)		All



## Features and Benefits

- Molded terminal blocks for primary and secondary connections<sup>1</sup>
- Coil face termination over 3000VA or 30 amps
- Vacuum Impregnated with Polyester Resin and oven cured
- Bolted core construction
- Bolt-on mounting brackets
- All terminal blocks utilize a combination slot/Phillips #6 screw with a SEMS washer (suitable for 18 AWG to 14 AWG for solid wire and 18 AWG to 12 AWG for stranded wire). Coil face terminations utilize a ¼ - 20 UNC X 0.50" combination slot/Phillips screw and a spring lock washer
- All units supplied with primary and secondary voltage links/jumpers
- 50/60 Hz (60 Hz on SP\*\*\*ACP and SP\*\*\*AR)
- Copper wound coils with high dielectric strength insulation
- Seismically certified in accordance with IBC 2009; Section 1613 Earthquake Loads, for  $S_{DS} \leq 2.00g$ ,  $z/h = 1.0$ , and  $I_p = 1.5$
- CSA Certified, UL Listed, CE Marked and RoHS compliant
- Meets NEMA standards
- Superior insulating materials. The HPS Spartan series transformers offer the following insulation systems:  
Up to 1500 VA: 80°C rise, 130°C temperature class (B)  
2000 VA to 5000 VA: 115°C rise, 180°C temperature class (F)
- "Premium Packaging"<sup>1</sup> which feature:
  - Premium fluted cartons
  - Custom molded foam inserts
  - Easy removal and repacking
  - Industry's best box label
- Supplied with trilingual installation and wiring instruction sheets
- 15 year warranty
- Optional finger guards available<sup>1</sup>
- Optional fuse block adapter kit available<sup>1</sup>

<sup>1</sup> up to and including 3000VA or 30 amps



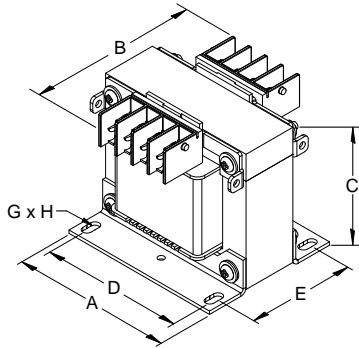


FIGURE A

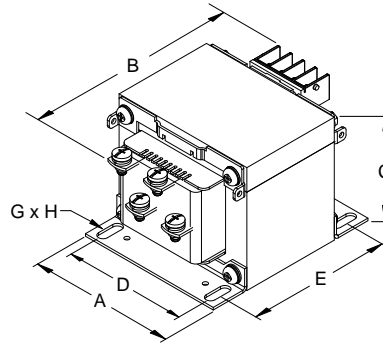


FIGURE B

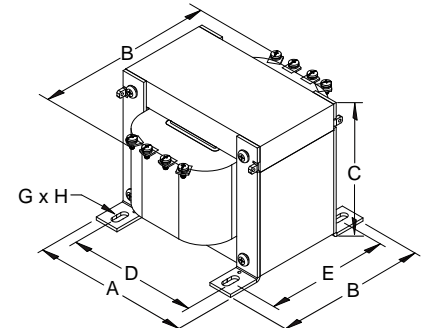


FIGURE C

## Group A

**Primary Voltage:** 600/480 || 575/460 || 550/440  
**Secondary Voltage:** 120 X 240 || 115 X 230 || 110 X 220



VA Rating	CE VA Rating	Catalog Number	Mtg. Fig.	Output Amps	Overall Dimensions			Mounting Centers		Mounting Slot G X H	Height with Finger Guard	Height with Fuse Block Adapter	Approx. Ship Weight Lbs.
					A	B	C	D	E				
50	50	SP50ACP	A	0.42/0.21	2.60	3.82	2.60	2.13	2.64	0.22 x 0.44	2.98	2.79	2.2
100	100	SP100ACP	A	0.83/0.42	2.99	3.74	2.85	2.52	2.60	0.22 x 0.44	3.23	3.04	3.3
150	150	SP150ACP	A	1.25/0.63	2.99	4.29	2.85	2.52	3.15	0.22 x 0.44	3.23	3.04	4.4
250	160	SP250ACP	A	2.08/1.04	3.78	4.09	3.40	3.31	2.99	0.22 x 0.44	3.78	3.59	6.4
350	250	SP350ACP	A	2.92/1.46	3.78	4.49	3.40	3.31	3.39	0.22 x 0.44	3.78	3.59	7.5
500	300	SP500ACP	A	4.17/2.08	4.49	4.69	3.78	3.78	3.66	0.31 x 0.81	4.16	3.97	11
750	500	SP750ACP	A	6.25/3.13	5.25	5.08 <sup>1</sup>	4.37	4.50	4.06	0.31 x 0.81	4.75	4.56	18
1000	650	SP1000ACP	A	8.33/4.17	5.25	5.47 <sup>1</sup>	4.37	4.50	4.45	0.31 x 0.81	4.75	4.56	21
1500	1000	SP1500ACP	A	12.5/6.25	5.25	6.85 <sup>1</sup>	4.37	4.50	5.83	0.31 x 0.81	4.56	4.37	28
2000	1300	SP2000ACP	A	16.7/8.33	6.38	5.87 <sup>1</sup>	5.31	5.75	4.84	0.31 x 0.81	5.69	5.50	34
3000	2000	SP3000ACP	A	25.0/12.5	7.50	7.50	6.50	6.30	6.85	0.44 x 1.00	6.50	6.50	60
5000	3000	SP5000ACP	C	41.7/20.8	8.98	9.88	7.76	7.40	7.13	0.44 x 1.00	N/A	N/A	93

Primary and Secondary voltage links/jumpers supplied standard with all transformers.  
 Refer to page 73 for wiring schematic drawing. Custom voltages and VA sizes available upon request.  
<sup>1</sup> Note: For 750 through 2000 VA units actual overall depth is 0.24" plus the value in column B.

All dimensions in inches

## Group B

**Primary Voltage:** 600 || 575 || 550  
**Secondary Voltage:** 12 X 24 || 11.5 X 23 || 11 X 22



VA Rating	CE VA Rating	Catalog Number	Mtg. Fig.	Output Amps	Overall Dimensions			Mounting Centers		Mounting Slot G X H	Height with Finger Guard	Height with Fuse Block Adapter	Approx. Ship Weight Lbs.
					A	B	C	D	E				
50	50	SP50AR	A	4.17/2.08	2.60	3.23	2.60	2.13	2.05	0.22 x 0.44	2.98	2.79	1.5
100	100	SP100AR	A	8.33/4.17	2.99	3.74	2.85	2.52	2.60	0.22 x 0.44	3.23	3.04	3.3
150	150	SP150AR	A	12.5/6.25	2.99	4.09	2.85	2.52	2.95	0.22 x 0.44	3.23	3.04	3.9
250	160	SP250AR	A	20.8/10.4	3.78	3.70	3.40	3.31	2.60	0.22 x 0.44	3.78	3.59	5.2
350	250	SP350AR	A	29.2/14.6	3.78	4.29	3.40	3.31	3.19	0.22 x 0.44	3.78	3.59	7.1
500	300	SP500AR	B	41.7/20.8	4.49	5.08	3.78	3.78	3.27	0.31 x 0.81	4.16	3.97	9.9

Primary and Secondary voltage links/jumpers supplied standard with all transformers.  
 Refer to page 73 for wiring schematic drawing. Custom voltages and VA sizes available upon request.

All dimensions in inches

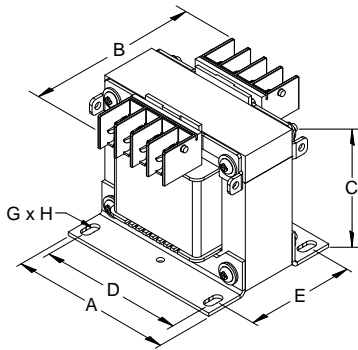


FIGURE A

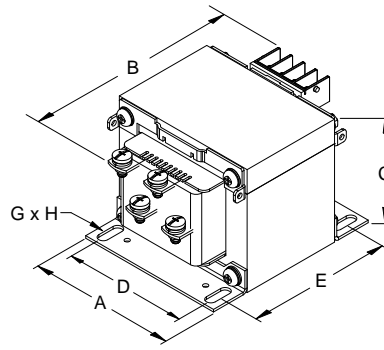


FIGURE B

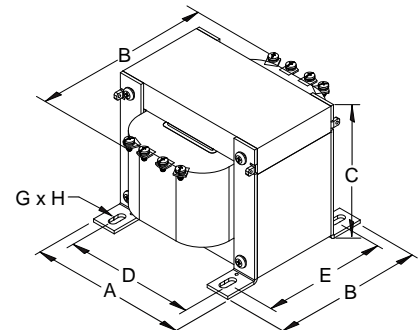


FIGURE C

## Group C

Primary Voltage: 240 X 480 || 230 X 460 || 220 X 440  
 Secondary Voltage: 120 X 240 || 115 X 230 || 110 X 220



VA Rating	CE VA Rating	Catalog Number	Mtg. Fig.	Output Amps	Overall Dimensions			Mounting Centers		Mounting Slot G X H	Height with Finger Guard	Height with Fuse Block Adapter	Approx. Ship Weight Lbs.
					A	B	C	D	E				
50	50	SP50MQMJ	A	0.42/0.21	2.60	3.35	2.60	2.13	2.17	0.22 x 0.44	2.98	2.79	1.7
100	100	SP100MQMJ	A	0.83/0.42	2.99	3.74	2.85	2.52	2.60	0.22 x 0.44	3.23	3.04	3
150	150	SP150MQMJ	A	1.25/0.63	2.99	4.29	2.85	2.52	3.15	0.22 x 0.44	3.23	3.04	4.3
250	160	SP250MQMJ	A	2.08/1.04	3.78	4.09	3.40	3.31	2.99	0.22 x 0.44	3.78	3.59	6.5
350	250	SP350MQMJ	A	2.92/1.46	3.78	4.69	3.40	3.31	3.58	0.22 x 0.44	3.78	3.59	8.2
500	300	SP500MQMJ	A	4.17/2.08	4.49	4.69	3.78	3.78	3.66	0.31 x 0.81	4.16	3.97	11
750	500	SP750MQMJ	A	6.25/3.13	5.25	4.69 <sup>1</sup>	4.37	4.50	3.66	0.31 x 0.81	4.75	4.56	16
1000	650	SP1000MQMJ	A	8.33/4.17	5.25	5.47 <sup>1</sup>	4.37	4.50	4.45	0.31 x 0.81	4.75	4.56	21
1500	1000	SP1500MQMJ	A	12.5/6.25	5.25	6.85 <sup>1</sup>	4.37	4.50	5.83	0.31 x 0.81	4.75	4.56	28
2000	1300	SP2000MQMJ	A	16.7/8.33	6.38	5.87 <sup>1</sup>	5.31	5.75	4.84	0.31 x 0.81	5.50	5.31	35
3000	2000	SP3000MQMJ	A	25.0/12.5	7.50	7.50	6.50	6.30	7.28	0.44 x 1.00	6.50	6.50	64
5000	3000	SP5000MQMJ	C	41.7/20.8	8.98	9.88	7.76	7.40	7.28	0.44 x 1.00	N/A	N/A	97

Primary and Secondary voltage links/jumpers supplied standard with all transformers.  
 Refer to page 74 for wiring schematic drawing. Custom voltages and VA sizes available upon request.  
<sup>1</sup> Note: For 750 through 2000 VA units actual overall depth is 0.24" plus the value in column B.

All dimensions in inches

## Group D

Primary Voltage: 240 X 480 || 230 X 460 || 220 X 440  
 Secondary Voltage: 12 X 24 || 11.5 X 23 || 11 X 22



VA Rating	CE VA Rating	Catalog Number	Mtg. Fig.	Output Amps	Overall Dimensions			Mounting Centers		Mounting Slot G X H	Height with Finger Guard	Height with Fuse Block Adapter	Approx. Ship Weight Lbs.
					A	B	C	D	E				
50	50	SP50QR	A	4.17/2.08	2.60	3.35	2.60	2.13	2.17	0.22 x 0.44	2.98	2.79	1.7
100	100	SP100QR	A	8.33/4.17	2.99	3.54	2.85	2.52	2.40	0.22 x 0.44	3.23	3.04	3
150	150	SP150QR	A	12.5/6.25	2.99	4.29	2.85	2.52	3.15	0.22 x 0.44	3.23	3.04	4.3
250	160	SP250QR	A	20.8/10.4	3.78	4.09	3.40	3.31	2.99	0.22 x 0.44	3.78	3.59	6.5
350	250	SP350QR	A	29.2/14.6	3.78	4.69	3.40	3.31	3.58	0.22 x 0.44	3.78	3.59	8.3
500	300	SP500QR	B	41.7/20.8	4.49	5.47	3.78	3.78	3.66	0.31 x 0.81	4.16	3.97	11

Primary and Secondary voltage links/jumpers supplied standard with all transformers.  
 Refer to page 74 for wiring schematic drawing. Custom voltages and VA sizes available upon request.

All dimensions in inches



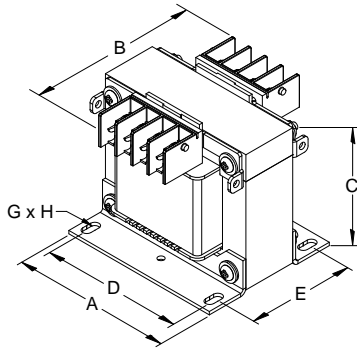


FIGURE A

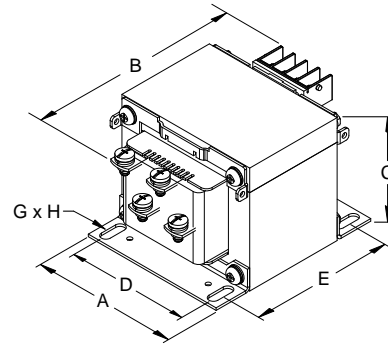


FIGURE B

## Group E

**Primary Voltage:** 380/347  
**Secondary Voltage:** 120 X 240



VA Rating	CE VA Rating	Catalog Number	Mtg. Fig.	Output Amps	Overall Dimensions			Mounting Centers		Mounting Slot	Height with Finger Guard	Height with Fuse Block Adapter	Approx. Ship Weight Lbs.
					A	B	C	D	E	G X H			
50	50	SP50KHP	A	0.42/0.21	2.60	3.35	2.60	2.13	2.17	0.22 x 0.44	2.98	2.79	1.7
100	100	SP100KHP	A	0.83/0.42	2.99	3.74	2.85	2.52	2.60	0.22 x 0.44	3.23	3.04	3.4
150	150	SP150KHP	A	1.25/0.63	2.99	4.29	2.85	2.52	3.15	0.22 x 0.44	3.23	3.04	4.4
250	160	SP250KHP	A	2.08/1.04	3.78	4.09	3.40	3.31	2.99	0.22 x 0.44	3.78	3.59	6.7
350	250	SP350KHP	A	2.92/1.46	3.78	4.69	3.40	3.31	3.58	0.22 x 0.44	3.78	3.59	8.4
500	300	SP500KHP	A	4.17/2.08	4.49	4.69	3.78	3.78	3.66	0.31 x 0.81	4.16	3.97	12
750	500	SP750KHP	A	6.25/3.13	5.25	4.69 <sup>1</sup>	4.37	4.50	3.66	0.31 x 0.81	4.75	4.56	17
1000	650	SP1000KHP	A	8.33/4.17	5.25	5.47 <sup>1</sup>	4.37	4.50	4.45	0.31 x 0.81	4.75	4.56	21
1500	1000	SP1500KHP	A	12.5/6.25	6.38	4.88 <sup>1</sup>	5.31	5.75	3.86	0.31 x 0.81	5.50	5.31	29

Primary and Secondary voltage links/jumpers supplied standard with all transformers.  
 Refer to page 75 for wiring schematic drawing. Custom voltages and VA sizes available upon request.  
<sup>1</sup> Note: For 750 through 1500 VA units actual overall depth is 0.24" plus the value in column B.

All dimensions in inches

## Group F

**Primary Voltage:** 380/347  
**Secondary Voltage:** 12 X 24



VA Rating	CE VA Rating	Catalog Number	Mtg. Fig.	Output Amps	Overall Dimensions			Mounting Centers		Mounting Slot	Height with Finger Guard	Height with Fuse Block Adapter	Approx. Ship Weight Lbs.
					A	B	C	D	E	G X H			
50	50	SP50KHR	A	4.17/2.08	2.60	3.35	2.60	2.13	2.17	0.22 x 0.44	2.98	2.79	1.7
100	100	SP100KHR	A	8.33/4.17	2.99	3.74	2.85	2.52	2.60	0.22 x 0.44	3.23	3.04	3.3
150	150	SP150KHR	A	12.5/6.25	2.99	4.29	2.85	2.52	3.15	0.22 x 0.44	3.23	3.04	4.4
250	160	SP250KHR	A	20.8/10.4	3.78	4.09	3.40	3.31	2.99	0.22 x 0.44	3.78	3.59	6.4
350	250	SP350KHR	A	29.2/14.6	3.78	4.69	3.40	3.31	3.58	0.22 x 0.44	3.78	3.59	8.1
500	300	SP500KHR	B	41.7/20.8	4.49	5.47	3.78	3.78	3.66	0.31 x 0.81	4.16	3.97	11

Primary and Secondary voltage links/jumpers supplied standard with all transformers.  
 Refer to page 75 for wiring schematic drawing. Custom voltages and VA sizes available upon request.

All dimensions in inches

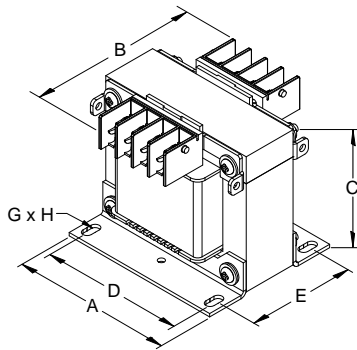


FIGURE A

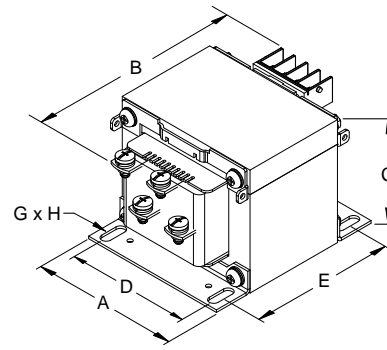


FIGURE B

## Group G

**Primary Voltage:** 277  
**Secondary Voltage:** 120

SA<sup>®</sup> UL<sup>®</sup> CE 50/60 Hertz

VA Rating	CE VA Rating	Catalog Number	Mtg. Fig.	Output Amps	Overall Dimensions			Mounting Centers		Mounting Slot	Height with Finger Guard	Height with Fuse Block Adapter	Approx. Ship Weight Lbs.
					A	B	C	D	E	G X H			
50	50	SP50NJ	A	0.42	2.60	3.35	2.60	2.13	2.17	0.22 x 0.44	2.98	2.79	1.6
100	100	SP100NJ	A	0.83	2.99	3.54	2.85	2.52	2.40	0.22 x 0.44	3.23	3.04	3.2
150	150	SP150NJ	A	1.25	2.99	4.29	2.85	2.52	3.15	0.22 x 0.44	3.23	3.04	4.3
250	160	SP250NJ	A	2.08	3.78	4.09	3.40	3.31	2.99	0.22 x 0.44	3.78	3.59	6.4
350	250	SP350NJ	A	2.92	3.78	4.69	3.40	3.31	3.58	0.22 x 0.44	3.78	3.59	8.1
500	300	SP500NJ	A	4.17	4.49	4.69	3.78	3.78	3.66	0.31 x 0.81	4.16	3.97	11
750	500	SP750NJ	A	6.25	5.25	5.08 <sup>1</sup>	4.37	4.50	4.06	0.31 x 0.81	4.75	4.56	18
1000	650	SP1000NJ	A	8.33	5.25	5.47 <sup>1</sup>	4.37	4.50	4.45	0.31 x 0.81	4.75	4.56	20
1500	1000	SP1500NJ	A	12.50	5.25	6.85 <sup>1</sup>	4.37	4.50	5.83	0.31 x 0.81	4.75	4.56	29

Primary and Secondary voltage links/jumpers supplied standard with all transformers. All dimensions in inches  
 Refer to page 76 for wiring schematic drawing. Custom voltages and VA sizes available upon request.  
<sup>1</sup> Note: For 750 through 1500 VA units actual overall depth is 0.24" plus the value in column B.

## Group H

**Primary Voltage:** 120 X 240 || 115 X 230 || 110 X 220  
**Secondary Voltage:** 12 X 24 || 11.5 X 23 || 11 X 22

SA<sup>®</sup> UL<sup>®</sup> CE 50/60 Hertz

VA Rating	CE VA Rating	Catalog Number	Mtg. Fig.	Output Amps	Overall Dimensions			Mounting Centers		Mounting Slot	Height with Finger Guard	Height with Fuse Block Adapter	Approx. Ship Weight Lbs.
					A	B	C	D	E	G X H			
50	50	SP50PR	A	4.17/2.08	2.60	3.35	2.60	2.13	2.17	0.22 x 0.44	2.98	2.79	1.7
100	100	SP100PR	A	8.33/4.17	2.99	3.74	2.85	2.52	2.60	0.22 x 0.44	3.23	3.04	3
150	150	SP150PR	A	12.5/6.25	2.99	4.29	2.85	2.52	3.15	0.22 x 0.44	3.23	3.04	4.3
250	160	SP250PR	A	20.8/10.4	3.78	3.90	3.40	3.31	2.80	0.22 x 0.44	3.78	3.59	5.9
350	250	SP350PR	A	29.2/14.6	3.78	4.69	3.40	3.31	3.58	0.22 x 0.44	3.78	3.59	8.2
500	300	SP500PR	B	41.7/20.8	4.49	5.47	3.78	3.78	3.66	0.31 x 0.81	4.16	3.97	11

Primary and Secondary voltage links/jumpers supplied standard with all transformers. All dimensions in inches  
 Refer to page 76 for wiring schematic drawing. Custom voltages and VA sizes available upon request.

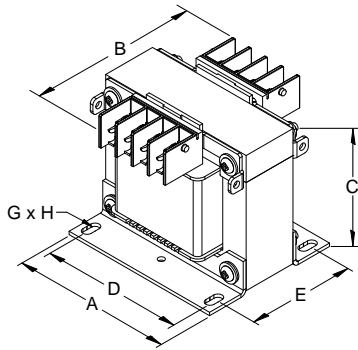


FIGURE A

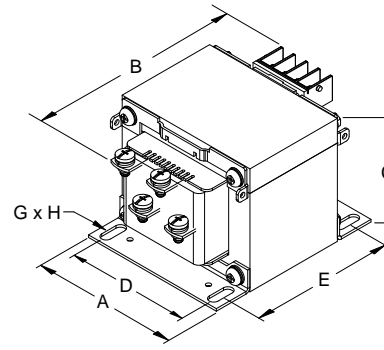


FIGURE B

## Group I

Primary Voltage: **208 X 416** || 200 X 400 || 190 X 380  
 Secondary Voltage: **120 X 240** || 115 X 230 || 110 X 220



VA Rating	CE VA Rating	Catalog Number	Mtg. Fig.	Output Amps	Overall Dimensions			Mounting Centers		Mounting Slot G X H	Height with Finger Guard	Height with Fuse Block Adapter	Approx. Ship Weight Lbs.
					A	B	C	D	E				
50	50	SP50SP	A	0.42/0.21	2.60	3.35	2.60	2.13	2.17	0.22 x 0.44	1.6	2.60	1.6
100	100	SP100SP	A	0.83/0.42	2.99	3.54	2.85	2.52	2.40	0.22 x 0.44	3	2.85	3
150	150	SP150SP	A	1.25/0.63	2.99	4.29	2.85	2.52	3.15	0.22 x 0.44	4.3	2.85	4.3
250	160	SP250SP	A	2.08/1.04	3.78	4.09	3.40	3.31	2.99	0.22 x 0.44	6.5	3.40	6.5
350	250	SP350SP	A	2.92/1.46	3.78	4.69	3.40	3.31	3.58	0.22 x 0.44	8.3	3.40	8.3
500	300	SP500SP	A	4.17/2.08	4.49	4.69	3.78	3.78	3.66	0.31 x 0.81	11	3.78	11
750	500	SP750SP	A	6.25/3.13	5.25	4.69 <sup>1</sup>	4.37	4.50	3.66	0.31 x 0.81	16	4.75	16
1000	650	SP1000SP	A	8.33/4.17	5.25	5.47 <sup>1</sup>	4.37	4.50	4.45	0.31 x 0.81	20	4.75	20
1500	1000	SP1500SP	A	12.5/6.25	6.38	4.88 <sup>1</sup>	5.31	5.75	3.86	0.31 x 0.81	27	5.69	27

Primary and Secondary voltage links/jumpers supplied standard with all transformers.  
 Refer to page 77 for wiring schematic drawing. Custom voltages and VA sizes available upon request.  
<sup>1</sup> Note: For 750 through 1500 VA units actual overall depth is 0.24" plus the value in column B.

All dimensions in inches

## Group J

Primary Voltage: **208 X 416** || 200 X 400 || 190 X 380  
 Secondary Voltage: **12 X 24** || 11.5 X 23 || 11 X 22



VA Rating	CE VA Rating	Catalog Number	Mtg. Fig.	Output Amps	Overall Dimensions			Mounting Centers		Mounting Slot G X H	Height with Finger Guard	Height with Fuse Block Adapter	Approx. Ship Weight Lbs.
					A	B	C	D	E				
50	50	SP50SR	A	4.17/2.08	2.60	3.35	2.60	2.13	2.17	0.22 x 0.44	2.98	2.79	1.6
100	100	SP100SR	A	8.33/4.17	2.99	3.54	2.85	2.52	2.40	0.22 x 0.44	3.23	3.04	3.1
150	150	SP150SR	A	12.5/6.25	2.99	4.29	2.85	2.52	3.15	0.22 x 0.44	3.23	3.04	4.3
250	160	SP250SR	A	20.8/10.4	3.78	4.09	3.40	3.31	2.99	0.22 x 0.44	3.78	3.59	6.5
350	250	SP350SR	A	29.2/14.6	3.78	4.69	3.40	3.31	3.58	0.22 x 0.44	3.78	3.59	8.3
500	300	SP500SR	B	41.7/20.8	4.49	5.47	3.78	3.78	3.66	0.31 x 0.81	4.16	3.97	11

Primary and Secondary voltage links/jumpers supplied standard with all transformers.  
 Refer to page 77 for wiring schematic drawing. Custom voltages and VA sizes available upon request.

All dimensions in inches

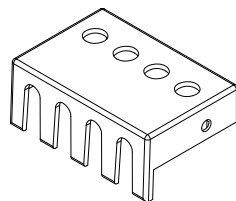
## Optional Accessories

### Finger Guards

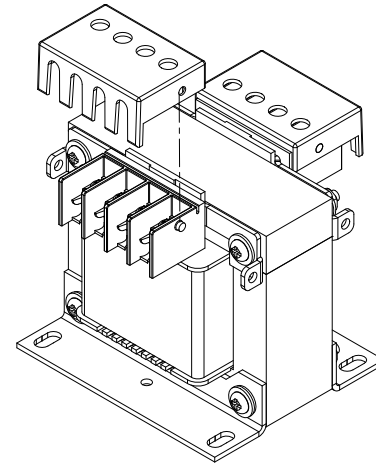
HPS Spartan industrial control transformers up to and including 3000VA or 30 amps are available with optional finger guards.

Part Number	Applicable Transformer Part Number Suffixes	Applicable VA Sizes
SPFG1	AR, QR, PR, KHR, SR	50 to 500
SPFG1	KHP, SP, NJ	50 to 1500
SPFG1	ACP, MQMJ	50 to 3000

Note: Each finger guard supplies either the primary or secondary side. Finger guard option not available on SP5000ACP and SP5000MQMJ standard units. Add 0.38" per finger guard to overall depth (column B) on units from 50 VA to 500 VA and 0.31" to units from 750 VA to 2000 VA when finger guard has been installed. For custom units, optional finger guards are only available on units up to 3000VA or 30 amps.



**Finger Guard**  
(Optional)



**Sample Assembly Drawing for Optional Finger Guard Installation**  
(Only available for units supplied with either a primary or secondary molded terminal block)

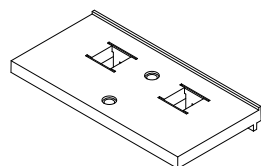
### Fuse Block Adapter Kit

HPS Spartan industrial control transformers up to and including 3000VA or 30 amps are available with optional fuse block adapter kits. The Fuse Block Adapter Kit is designed to allow for the installation of any third party after market fuse block assembly onto the industrial control transformer. The transformer must be a unit that incorporates a molded terminal block on either the primary or secondary side.

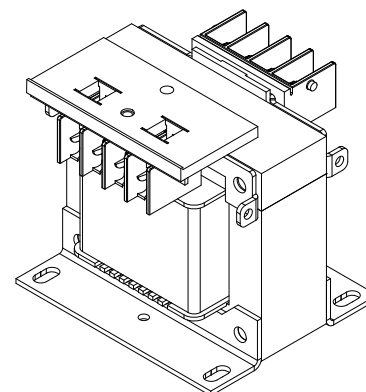
**Note: HPS does not provide any jumpers or appropriate fuses for any after market fuse block you install on the HPS Spartan industrial control transformer. The HPS fuse block adapter kit provides only the mechanical means of attaching a third party after market fuse block. HPS does not recommend any specific fuse block or fuse supplier. For a recommended size of fuse, please see page # 30.**

Kit Part Number	Applicable Transformer Part Number Suffixes	Applicable VA Sizes
SPFBAK1	AR, QR, PR, KHR, SR	50 to 500
SPFBAK1	KHP, SP, NJ	50 to 1500
SPFBAK1	ACP, MQMJ	50 to 3000

Note: Only 1 fuse block adapter kit is required per transformer. Fuse block adapter kit not available on SP5000ACP and SP5000MQMJ standard units. Add 0.38" per fuse block adapter to overall depth (column B) on units from 750 VA to 3000 VA when optional fuse block adapter is installed. For custom units, optional fuse block adapter kit is only available on units up to 3000VA or 30 amps.



**Fuse Block Adapter Kit**  
(Optional)



**Sample Assembly Drawing for Optional Fuse Block Adapter Installation**

For detailed installation instructions of HPS Spartan transformers or the optional finger guards and fuse block adapter kits, please visit our website under Products - Product Links - Instruction Sheets. Or go to the following link: <http://www.hammondpowersolutions.com/instruction-sheets/>



## HPS Fusion™ General Purpose Enclosed Transformer

### The Ideal Solution

The HPS Fusion™ line of single phase, general purpose enclosed transformers are ideally suited for general purpose, industrial and light duty loads. They have been designed for indoor applications and offer an efficient and economical solution. These units are well suited for HVAC applications, signal and alarm systems, motor control circuits, lighting and circuit isolation. The HPS Fusion control transformer is an enclosed style unit with either molded terminal blocks (on units up to 3000 VA or 30 amps) or coil face termination. Optional Finger guards and a fuse block adapter kit are available upon request. For an economical approach to general purpose loads, the HPS Fusion is the transformer of choice.

SECTION 1



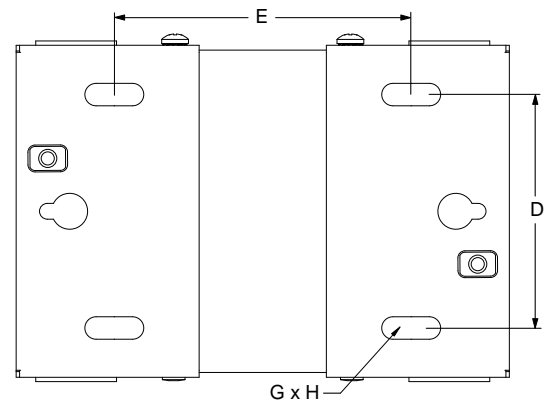
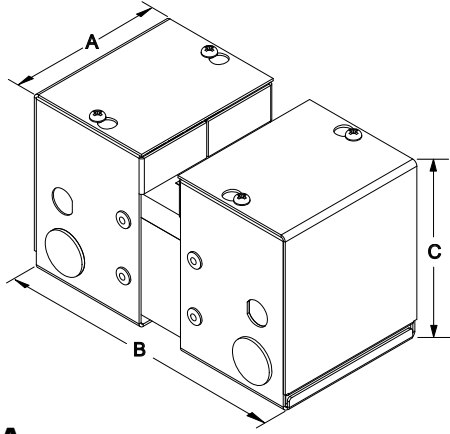
STANDARDS		
The HPS Fusion Control Transformers meet or exceed the standards established by UL, CSA, IEC and NEMA.		
Standard	File #	VA Size
UL (ANSI/UL506)	E50394	All
CSA	LR3902	All
IEC 61558		All
NEMA (ST-1)		All



## Features and Benefits

- Molded terminal blocks for primary and secondary connections up to 3000 VA or 30 amps; coil face termination over 3000VA or 30 amps
- All terminal blocks utilize a combination slot/Phillips #6 screw with a SEMS washer (suitable for 18 AWG to 14 AWG for solid wire and 18 AWG to 12 AWG for stranded wire). Coil face terminations utilize a ¼ - 20 UNC X 0.50" combination slot/Phillips screw and a spring lock washer
- Vacuum Impregnated with Polyester Resin and oven cured
- Bolted core construction
- Bolt-on mounting brackets
- Coils with high dielectric strength insulation
- Seismically certified in accordance with IBC 2009; Section 1613 Earthquake Loads, for  $S_{DS} \leq 2.00g$ ,  $z/h = 1.0$ , and  $I_p = 1.5$
- CSA Certified, UL Listed, CE Marked and RoHS compliant
- Meets NEMA standards
- Superior insulating materials. The HPS Fusion series transformers offer the following insulation systems:  
Up to 1500 VA: 95°C temperature rise, 130°C insulation class (B)  
2000 VA to 5000 VA: 130°C temperature rise, 180°C insulation class (F)  
(Note: Temperature rise based on 25°C ambient)
- 50/60 Hz (60 Hz on FS\*\*\*ACP and FS\*\*\*AR)
- Rugged Type 1 enclosure
- Finish - forest green powder coat
- Primary and secondary ground screw
- Four (0.88") wiring knockouts and four (0.50") accessory knockouts
- Optional panel mount fuse holder available
- Easy mounting and installation via four mounting slots and two keyhole slots
- Easy access to primary and secondary wiring compartments through removable covers
- 15 year warranty





## Group A

**Primary Voltage:** 600/480 || 575/460 || 550/440  
**Secondary Voltage:** 120 X 240 || 115 X 230 || 110 X 220



60 Hertz

VA Rating	CE VA Rating	Catalog Number	Output Amps	Overall Dimensions			Mounting Centers		Mounting Slot	Approx. Ship Weight Lbs.
				A	B	C	D	E	G X H	
50	50	FS50ACP	0.42/0.21	2.7	6.4	3.33	1.66	4.16	0.22 x 0.44	3.0
100	100	FS100ACP	0.83/0.42	3.09	6.3	3.6	2.05	3.5	0.22 x 0.44	4.2
150	150	FS150ACP	1.25/0.63	3.09	6.9	3.6	2.05	4.1	0.22 x 0.44	5.3
250	160	FS250ACP	2.08/1.04	3.9	6.6	4.3	2.52	3.9	0.22 x 0.44	7.6
350	250	FS350ACP	2.92/1.46	3.9	7	4.3	2.52	4.3	0.22 x 0.44	8.7
500	300	FS500ACP	4.17/2.08	4.6	7.2	4.6	3.3	4.5	0.31 x 0.81	13.3
750	500	FS750ACP	6.25/3.13	5.6	7.6	5.1	4	4.9	0.31 x 0.81	20.3
1000	650	FS1000ACP	8.33/4.17	5.6	8	5.1	4	5.3	0.31 x 0.81	22.9
1500	1000	FS1500ACP	12.5/6.25	5.6	9.4	5.1	4	6.7	0.31 x 0.81	30.3
2000	1300	FS2000ACP	16.7/8.33	6.6	9.1	6	5.1	5.7	0.31 x 0.81	37.1
3000	2000	FS3000ACP	25.0/12.5	7.8	11.3	6.7	6.3	6.9	0.31 x 0.81	64.0
5000	3000	FS5000ACP	41.7/20.8	9.3	14.9	8	7.1	7.3	0.31 x 0.81	99.7

Primary and Secondary voltage links/jumpers supplied standard with all transformers. All dimensions in inches  
 Refer to page 73 for wiring schematic drawing. Custom voltages and VA sizes available upon request.

## Group B

**Primary Voltage:** 600 || 575 || 550  
**Secondary Voltage:** 12 X 24 || 11.5 X 23 || 11 X 22

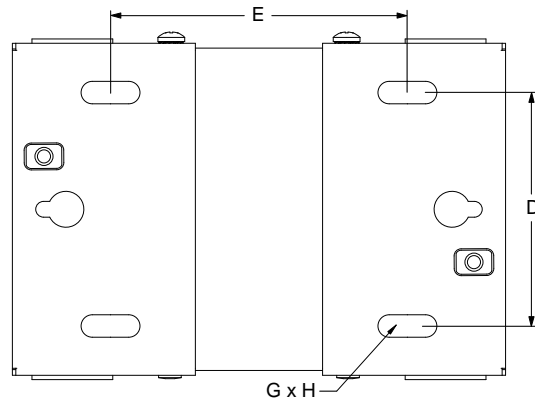
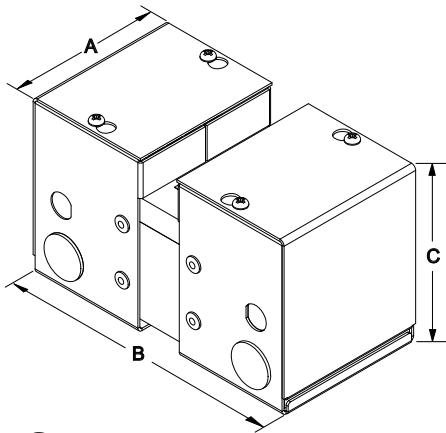


60 Hertz

VA Rating	CE VA Rating	Catalog Number	Output Amps	Overall Dimensions			Mounting Centers		Mounting Slot	Approx. Ship Weight Lbs.
				A	B	C	D	E	G X H	
50	50	FS50AR	4.17/2.08	2.7	5.8	3.33	1.66	3.58	0.22 x 0.44	2.3
100	100	FS100AR	8.33/4.17	3.09	6.3	3.6	2.05	3.5	0.22 x 0.44	4.2
150	150	FS150AR	12.5/6.25	3.09	6.7	3.6	2.05	3.9	0.22 x 0.44	4.8
250	160	FS250AR	20.8/10.4	3.9	6.2	4.3	2.52	3.5	0.22 x 0.44	6.4
350	250	FS350AR	29.2/14.6	3.9	6.8	4.3	2.52	4.1	0.22 x 0.44	8.3
500	300	FS500AR	41.7/20.8	4.6	6.8	4.1	3.3	4.5	0.31 x 0.81	11.8

Primary and Secondary voltage links/jumpers supplied standard with all transformers. All dimensions in inches  
 Refer to page 73 for wiring schematic drawing. Custom voltages and VA sizes available upon request.





## Group C

**Primary Voltage:** 240 X 480 || 230 X 460 || 220 X 440  
**Secondary Voltage:** 120 X 240 || 115 X 230 || 110 X 220



50/60 Hertz

VA Rating	CE VA Rating	Catalog Number	Output Amps	Overall Dimensions			Mounting Centers		Mounting Slot	Approx. Ship Weight Lbs.
				A	B	C	D	E	G X H	
50	50	FS50MQMJ	0.42/0.21	2.7	5.9	3.33	1.66	3.69	0.22 x 0.44	2.5
100	100	FS100MQMJ	0.83/0.42	3.09	6.3	3.6	2.05	3.5	0.22 x 0.44	3.9
150	150	FS150MQMJ	1.25/0.63	3.09	6.9	3.6	2.05	4.1	0.22 x 0.44	5.2
250	160	FS250MQMJ	2.08/1.04	3.9	6.6	4.3	2.52	3.9	0.22 x 0.44	7.7
350	250	FS350MQMJ	2.92/1.46	3.9	7.2	4.3	2.52	4.9	0.22 x 0.44	9.4
500	300	FS500MQMJ	4.17/2.08	4.6	7.2	4.6	3.3	4.5	0.31 x 0.81	13.2
750	500	FS750MQMJ	6.25/3.13	5.6	7.2	5.1	4	4.5	0.31 x 0.81	18.0
1000	650	FS1000MQMJ	8.33/4.17	5.6	8	5.1	4	5.3	0.31 x 0.81	22.8
1500	1000	FS1500MQMJ	12.5/6.25	6.6	8.5	6	5.1	5.1	0.31 x 0.81	31.1
2000	1300	FS2000MQMJ	16.7/8.33	6.6	9.1	6	5.1	5.7	0.31 x 0.81	38.1
3000	2000	FS3000MQMJ	25.0/12.5	7.8	11.7	6.7	6.3	7.3	0.31 x 0.81	68.5
5000	3000	FS5000MQMJ	41.7/20.8	9.3	15.1	8	7.4	7.3	0.31 x 0.81	104.2

Primary and Secondary voltage links/jumpers supplied standard with all transformers.  
 Refer to page 74 for wiring schematic drawing. Custom voltages and VA sizes available upon request.

All dimensions in inches

## Group D

**Primary Voltage:** 240 X 480 || 230 X 460 || 220 X 440  
**Secondary Voltage:** 12 X 24 || 11.5 X 23 || 11 X 22



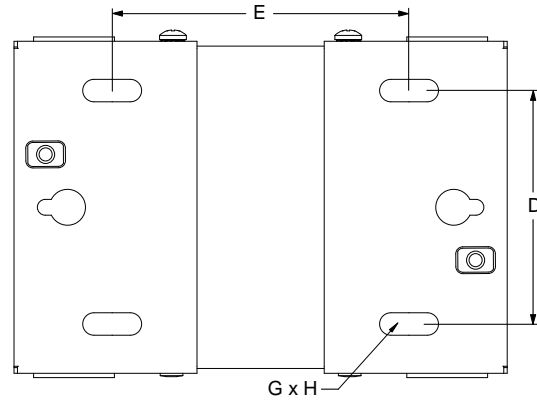
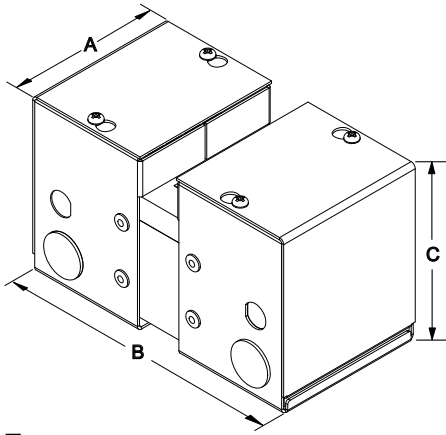
50/60 Hertz

VA Rating	CE VA Rating	Catalog Number	Output Amps	Overall Dimensions			Mounting Centers		Mounting Slot	Approx. Ship Weight Lbs.
				A	B	C	D	E	G X H	
50	50	FS50QR	4.17/2.08	2.7	5.9	3.33	1.66	3.69	0.22 x 0.44	2.5
100	100	FS100QR	8.33/4.17	3.09	6.1	3.6	2.05	3.35	0.22 x 0.44	3.9
150	150	FS150QR	12.5/6.25	3.09	6.9	3.6	2.05	4.1	0.22 x 0.44	5.2
250	160	FS250QR	20.8/10.4	3.9	6.6	4.3	2.52	3.9	0.22 x 0.44	7.7
350	250	FS350QR	29.2/14.6	3.9	7.2	4.3	2.52	4.9	0.22 x 0.44	9.5
500	300	FS500QR	41.7/20.8	4.6	7.2	4.6	3.3	4.5	0.31 x 0.81	13.4

Primary and Secondary voltage links/jumpers supplied standard with all transformers.  
 Refer to page 74 for wiring schematic drawing. Custom voltages and VA sizes available upon request.

All dimensions in inches





SECTION 1

## Group E

**Primary Voltage:** 380/347  
**Secondary Voltage:** 120 X 240




 50/60 Hertz

VA Rating	CE VA Rating	Catalog Number	Output Amps	Overall Dimensions			Mounting Centers		Mounting Slot	Approx. Ship Weight Lbs.
				A	B	C	D	E	G X H	
50	50	FS50KHP	0.42/0.21	2.7	5.9	3.33	1.66	3.69	0.22 x 0.44	2.5
100	100	FS100KHP	0.83/0.42	3.09	6.3	3.6	2.05	3.5	0.22 x 0.44	4.3
150	150	FS150KHP	1.25/0.63	3.09	6.9	3.6	2.05	4.1	0.22 x 0.44	5.3
250	160	FS250KHP	2.08/1.04	3.9	6.6	4.3	2.52	3.9	0.22 x 0.44	7.9
350	250	FS350KHP	2.92/1.46	3.9	7.2	4.3	2.52	4.9	0.22 x 0.44	9.6
500	300	FS500KHP	4.17/2.08	4.6	7.2	4.6	3.3	4.5	0.31 x 0.81	13.6
750	500	FS750KHP	6.25/3.13	5.6	7.2	5.1	4	4.5	0.31 x 0.81	19
1000	650	FS1000KHP	8.33/4.17	5.6	8	5.1	4	5.3	0.31 x 0.81	23.5
1500	1000	FS1500KHP	12.5/6.25	6.6	8.5	6	5.1	5.1	0.31 x 0.81	31.6

Primary and Secondary voltage links/jumpers supplied standard with all transformers. Refer to page 75 for wiring schematic drawing. Custom voltages and VA sizes available upon request.

All dimensions in inches

## Group F

**Primary Voltage:** 380/347  
**Secondary Voltage:** 12 X 24

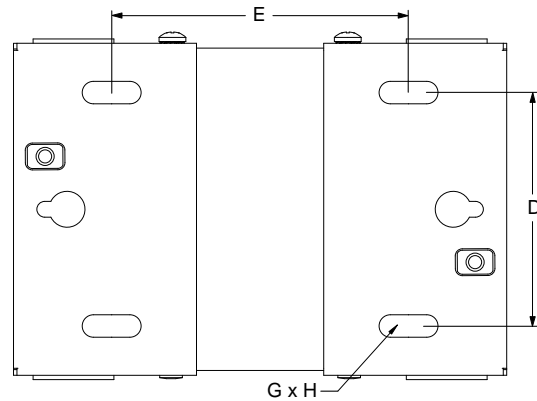
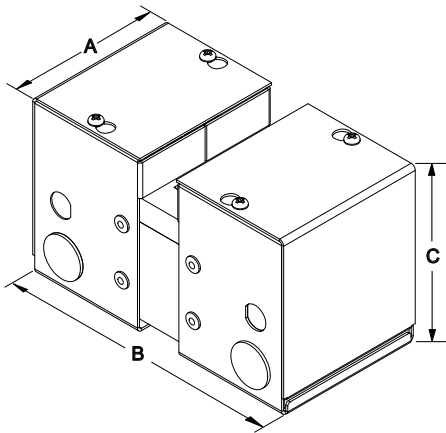



 50/60 Hertz

VA Rating	CE VA Rating	Catalog Number	Output Amps	Overall Dimensions			Mounting Centers		Mounting Slot	Approx. Ship Weight Lbs.
				A	B	C	D	E	G X H	
50	50	FS50KHR	4.17/2.08	2.7	5.9	3.33	1.66	3.69	0.22 x 0.44	2.5
100	100	FS100KHR	8.33/4.17	3.09	6.3	3.6	2.05	3.5	0.22 x 0.44	4.2
150	150	FS150KHR	12.5/6.25	3.09	6.9	3.6	2.05	4.1	0.22 x 0.44	5.3
250	160	FS250KHR	20.8/10.4	3.9	6.6	4.3	2.52	3.9	0.22 x 0.44	7.6
350	250	FS350KHR	29.2/14.6	3.9	7.2	4.3	2.52	4.9	0.22 x 0.44	9.3
500	300	FS500KHR	41.7/20.8	4.6	7.2	4.6	3.3	4.5	0.31 x 0.81	13.2

Primary and Secondary voltage links/jumpers supplied standard with all transformers. Refer to page 75 for wiring schematic drawing. Custom voltages and VA sizes available upon request.

All dimensions in inches



## Group G

**Primary Voltage:** 277  
**Secondary Voltage:** 120

50/60 Hertz

VA Rating	CE VA Rating	Catalog Number	Output Amps	Overall Dimensions			Mounting Centers		Mounting Slot	Approx. Ship Weight Lbs.
				A	B	C	D	E	G X H	
50	50	FS50NJ	0.42	2.7	5.9	3.33	1.66	3.69	0.22 x 0.44	2.4
100	100	FS100NJ	0.83	3.09	6.1	3.6	2.05	3.35	0.22 x 0.44	4.1
150	150	FS150NJ	1.25	3.09	6.9	3.6	2.05	4.1	0.22 x 0.44	5.2
250	160	FS250NJ	2.08	3.9	6.6	4.3	2.52	3.9	0.22 x 0.44	7.6
350	250	FS350NJ	2.92	3.9	7.2	4.3	2.52	4.9	0.22 x 0.44	9.3
500	300	FS500NJ	4.17	4.6	7.2	4.6	3.3	4.5	0.31 x 0.81	13.3
750	500	FS750NJ	6.25	5.6	7.6	5.1	4	4.9	0.31 x 0.81	20.1
1000	650	FS1000NJ	8.33	5.6	8	5.1	4	5.3	0.31 x 0.81	22.8
1500	1000	FS1500NJ	12.50	5.6	9.4	5.1	4	6.7	0.31 x 0.81	31.1

Primary and Secondary voltage links/jumpers supplied standard with all transformers. Refer to page 76 for wiring schematic drawing. Custom voltages and VA sizes available upon request.

All dimensions in inches

## Group H

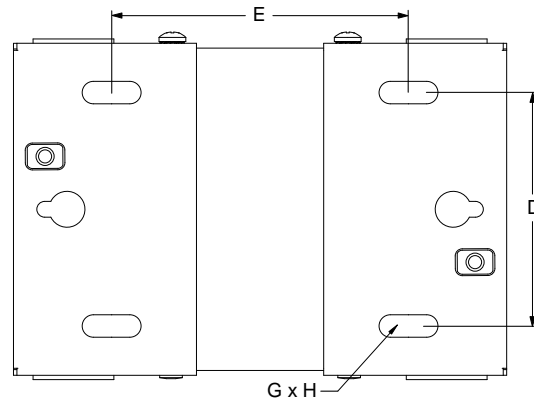
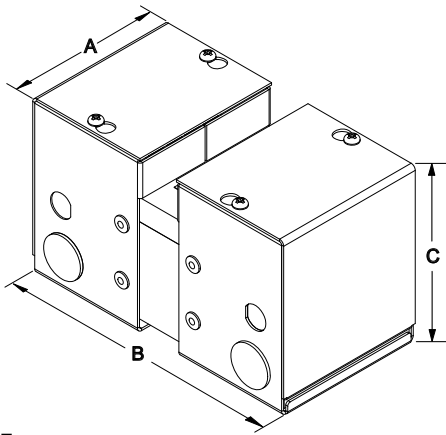
**Primary Voltage:** 120 X 240 || 115 X 230 || 110 X 220  
**Secondary Voltage:** 12 X 24 || 11.5 X 23 || 11 X 22

50/60 Hertz

VA Rating	CE VA Rating	Catalog Number	Output Amps	Overall Dimensions			Mounting Centers		Mounting Slot	Approx. Ship Weight Lbs.
				A	B	C	D	E	G X H	
50	50	FS50PR	4.17/2.08	2.7	5.9	3.33	1.66	3.69	0.22 x 0.44	2.5
100	100	FS100PR	8.33/4.17	3.09	6.1	3.6	2.05	3.35	0.22 x 0.44	3.9
150	150	FS150PR	12.5/6.25	3.09	6.9	3.6	2.05	4.1	0.22 x 0.44	5.2
250	160	FS250PR	20.8/10.4	3.9	6.4	4.3	2.52	3.7	0.22 x 0.44	7.1
350	250	FS350PR	29.2/14.6	3.9	7.2	4.3	2.52	4.9	0.22 x 0.44	9.4
500	300	FS500PR	41.7/20.8	4.6	7.2	4.6	3.3	4.5	0.31 x 0.81	13.2

Primary and Secondary voltage links/jumpers supplied standard with all transformers. Refer to page 76 for wiring schematic drawing. Custom voltages and VA sizes available upon request.

All dimensions in inches



SECTION 1

## Group I

**Primary Voltage:** 208 X 416 || 200 X 400 || 190 X 380  
**Secondary Voltage:** 120 X 240 || 115 X 230 || 110 X 220



50/60 Hertz

VA Rating	CE VA Rating	Catalog Number	Output Amps	Overall Dimensions			Mounting Centers		Mounting Slot	Approx. Ship Weight Lbs.
				A	B	C	D	E	G X H	
50	50	FS50SP	0.42/0.21	2.7	5.9	3.33	1.66	3.69	0.22 x 0.44	2.4
100	100	FS100SP	0.83/0.42	3.09	6.1	3.6	2.05	3.35	0.22 x 0.44	3.9
150	150	FS150SP	1.25/0.63	3.09	6.9	3.6	2.05	4.1	0.22 x 0.44	5.2
250	160	FS250SP	2.08/1.04	3.9	6.6	4.3	2.52	3.9	0.22 x 0.44	7.7
350	250	FS350SP	2.92/1.46	3.9	7.2	4.3	2.52	4.9	0.22 x 0.44	9.5
500	300	FS500SP	4.17/2.08	4.6	7.2	4.6	3.3	4.5	0.31 x 0.81	13.3
750	500	FS750SP	6.25/3.13	5.6	7.2	5.1	4	4.5	0.31 x 0.81	18.2
1000	650	FS1000SP	8.33/4.17	5.6	8	5.1	4	5.3	0.31 x 0.81	22.5
1500	1000	FS1500SP	12.5/6.25	6.6	8.5	6	5.1	5.1	0.31 x 0.81	30.1

Primary and Secondary voltage links/jumpers supplied standard with all transformers.  
 Refer to page 77 for wiring schematic drawing. Custom voltages and VA sizes available upon request.

All dimensions in inches

## Group J

**Primary Voltage:** 208 X 416 || 200 X 400 || 190 X 380  
**Secondary Voltage:** 12 X 24 || 11.5 X 23 || 11 X 22



50/60 Hertz

VA Rating	CE VA Rating	Catalog Number	Output Amps	Overall Dimensions			Mounting Centers		Mounting Slot	Approx. Ship Weight Lbs.
				A	B	C	D	E	G X H	
50	50	FS50SR	4.17/2.08	2.7	5.9	3.33	1.66	3.69	0.22 x 0.44	2.4
100	100	FS100SR	8.33/4.17	3.09	6.1	3.6	2.05	3.35	0.22 x 0.44	4
150	150	FS150SR	12.5/6.25	3.09	6.9	3.6	2.05	4.1	0.22 x 0.44	5.2
250	160	FS250SR	20.8/10.4	3.9	6.6	4.3	2.52	3.9	0.22 x 0.44	7.7
350	250	FS350SR	29.2/14.6	3.9	7.2	4.3	2.52	4.9	0.22 x 0.44	9.5
500	300	FS500SR	41.7/20.8	4.6	7.2	4.6	3.3	4.5	0.31 x 0.81	13.3

Primary and Secondary voltage links/jumpers supplied standard with all transformers.  
 Refer to page 77 for wiring schematic drawing. Custom voltages and VA sizes available upon request.

All dimensions in inches

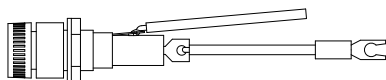


## Optional Accessories

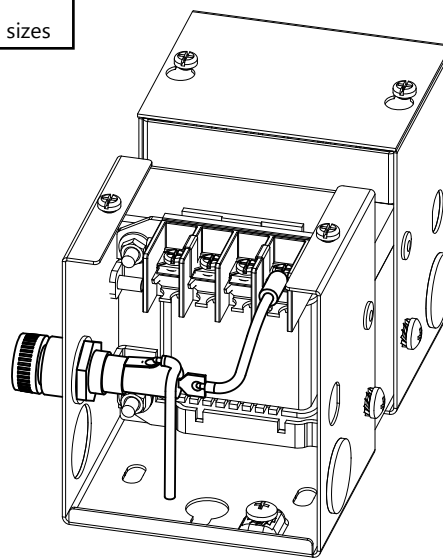
### Fuse Holder Kit

This general purpose enclosed transformer optional secondary fuse holder kit is specifically designed to provide circuit protection up to a maximum of 20 amps and up to 250V. The fuse holder kit is supplied with leads for easy hook-up and is easy to install. Fuses are NOT supplied with this kit. Fuses should be selected in accordance with CSA, UL and local electrical codes.

Part Number	Applicable Transformer Part Number Suffixes	Applicable Specifications
<b>FSFH1</b>	All	Up to 20 amps and 250V Designed to accept ¼" x 1 ¼" fuse sizes



**Fuse Kit**  
(Optional)



**Sample Assembly Drawing for  
Optional Fuse Kit Installation**

(Only available for units supplied with either a primary or secondary molded terminal block)

For detailed installation instructions of HPS Fusion transformers or the optional fuse kits, please visit our website under Products - Product Links - Instruction Sheets.

Or go to the following link: <http://www.hammondpowersolutions.com/instruction-sheets/>



## SINGLE PHASE ENCLOSED ENCAPSULATED CONTROL TRANSFORMER FEATURES

For applications where a cost effective approach to general purpose loads indoor or outdoor is required, consider the 'Q' series, single phase encapsulated control transformer. These units are specifically designed for the following applications;

- General purpose enclosed control applications used to adjust a supply voltage to match a load requirement.
- Supplying machine tool circuits.
- Actuating relays, bells, signal and alarm systems.
- Operating small motors, valves and dampers.
- Industrial lighting and circuit isolation.

SECTION 1

50 to 5000VA



### SINGLE PHASE ENCLOSED ENCAPSULATED CONTROL STANDARD SPECIFICATIONS

	50 to 5000VA	Benefits
<b>UL Listed</b>	File: E50394	
<b>CSA Certified</b>	File: LR3902	
<b>Frequency</b>	60 Hertz	
<b>Insulation System</b>	Up to 1kVA; Class B, 80°C temperature rise. 1.5 to 5kVA; Class F, 115°C temperature rise.	Assures long life and reliable performance.
<b>Standard Design</b>	Single Phase, all welded core construction made with high quality, high permeability silicon steel laminations. Computer designed coils, accurately wound with optimum mean turns made from high quality magnetic wire with insulation film.	Rugged one-piece assembly with low noise provides optimum performance and reliability. Provides enhanced voltage regulation, excellent thermal characteristics and compliments modern winding techniques.
<b>Encapsulation</b>	All units from 50VA to 5kVA are encapsulated with electrical grade silica sand and resin compounds.	Completely encloses the core and coil to seal out moisture, airborne contaminants and eliminates corrosion & insulation deterioration.
<b>Enclosure Type</b>	Heavy Duty Type 3R (conduit knockouts on sides and rear)	Meets the heavy industrial trade requirements for indoor/outdoor enclosed transformers.
<b>Termination</b>	Front accessible wiring compartment with high and low voltage copper lead wires or tabs.	Ample space for transformer connection for primary and secondary terminations.
<b>Mounting</b>	Designed for vertical or horizontal mounting.	Facilitates any installation requirement.

## SINGLE PHASE, NEMA 3R STYLE ENCLOSURE



**600 Primary Volts**

**12/24 Secondary Volts**

**60 Hz**

VA Rating	Catalog Number	Case Style (Page 266)	Approx. Dimensions (Inches)			Approx. Weight (Lbs.)	Mtg Type W - Wall	Wiring Diagram (Page 282)
			Width	Depth	Height			
50	<b>QC05PRCB</b>	NQ0	3.75	5.25	7.25	6	W	SCD 4
100	<b>QC10PRCB</b>	NQ0	3.75	5.25	7.25	7	W	SCD 4
150	<b>QC15PRCB</b>	NQ0	3.75	5.25	7.25	8	W	SCD 4
200	<b>QC20PRCB</b>	NQ1	4.50	5.75	7.25	11	W	SCD 4
250	<b>QC25PRCB</b>	NQ1	4.50	5.75	7.25	13	W	SCD 4
350	<b>QC35PRCB</b>	NQ1	4.50	5.75	7.25	14	W	SCD 4
500	<b>QC50PRCB</b>	NQ2	5.00	4.75	9.25	15	W	SCD 4
750	<b>QC75PRCB</b>	NQ2	5.00	4.75	9.25	18	W	SCD 4
1000	<b>Q1C0PRCB</b>	NQ3	5.88	5.50	10.50	25	W	SCD 4
1500	<b>Q1C5PRCF</b>	NQ4	7.00	6.50	11.75	36	W	SCD 4
2000	<b>Q002PRCF</b>	NQ4	7.00	6.50	11.75	46	W	SCD 4
3000	<b>Q003PRCF</b>	NQ4	7.00	6.50	11.75	65	W	SCD 4
5000	<b>Q005PRCF</b>	NQ5	10.00	7.75	17.25	105	W	SCD 4

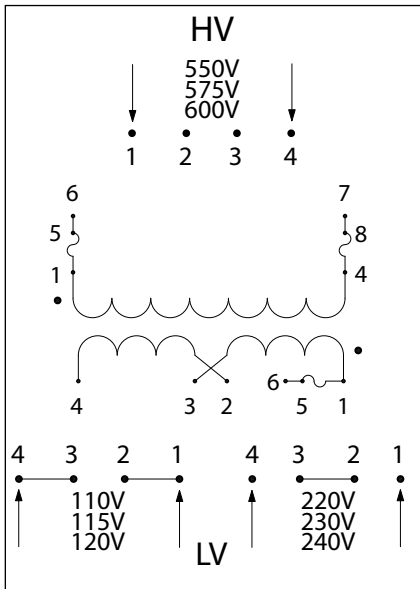
SECTION 1



## HPS Imperator - Wiring Schematic Drawings

### Group A

SECTION 1



**PH\*\*\*AJ Schematic for 50, 75 and 100VA Units**

**High Voltage (HV)  
(Primary Volts)**

600	575	550
600	575	550

**Install Supplied Jumpers/  
Links Between Terminals**

None
None

**Supply Lines  
Connect To**

1, 4
6, 7

**Install Fuse  
Clips To**

Unfused
1-5, 4-8

**Low Voltage (LV)  
(Secondary Volts)**

120	115	110
240	230	220
120	115	110
240	230	220

**Install Supplied Links  
Between Terminals**

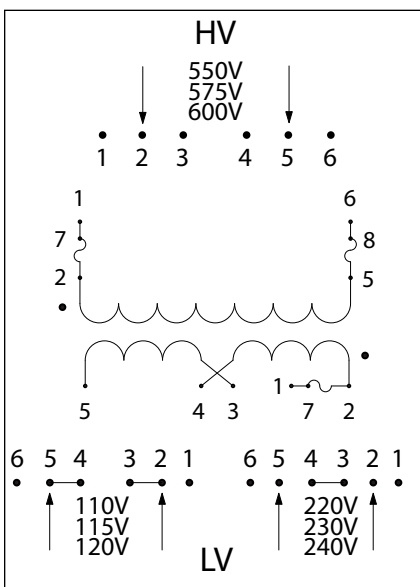
3-4, 1-2
2-3
3-4, 1-2
2-3

**Load Lines  
Connect To**

1, 4
1, 4
4, 6
4, 6

**Install Fuse  
Clips To**

Unfused
Unfused
1-5
1-5



**PH\*\*\*AJ Schematic for 150VA to 1500VA Units**

**High Voltage (HV)  
(Primary Volts)**

600	575	550
600	575	550

**Install Supplied Jumpers/  
Links Between Terminals**

None
None

**Supply Lines  
Connect To**

2, 5
1, 6

**Install Fuse  
Clips To**

Unfused
2-7, 5-8

**Low Voltage (LV)  
(Secondary Volts)**

120	115	110
240	230	220
120	115	110
240	230	220

**Install Supplied Links  
Between Terminals**

4-5, 2-3
3-4
4-5, 2-3
3-4

**Load Lines  
Connect To**

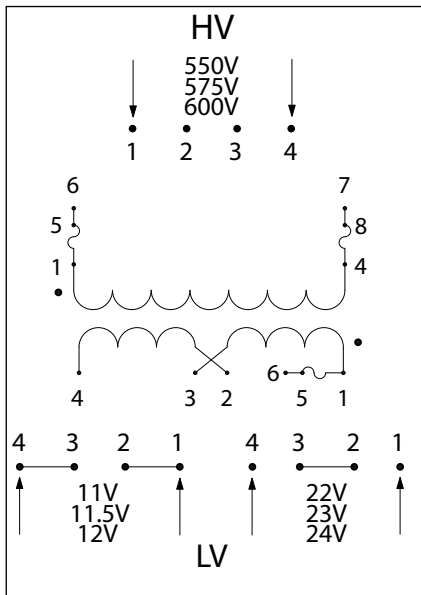
2, 5
2, 5
1, 5
1, 5

**Install Fuse  
Clips To**

Unfused
Unfused
2-7
2-7

## HPS Imperator - Wiring Schematic Drawings continued

### Group B



**PH\*\*\*AR Schematic for 50, 75 and 100VA Units**

**High Voltage (HV)  
(Primary Volts)**

600	575	550
600	575	550

**Install Supplied Jumpers/  
Links Between Terminals**

None
None

**Supply Lines  
Connect To**

1, 4
6, 7

**Install Fuse  
Clips To**

Unfused
1-5, 4-8

**Low Voltage (LV)  
(Secondary Volts)**

12	11.5	11
24	23	22
12	11.5	11
24	23	22

**Install Supplied Links  
Between Terminals**

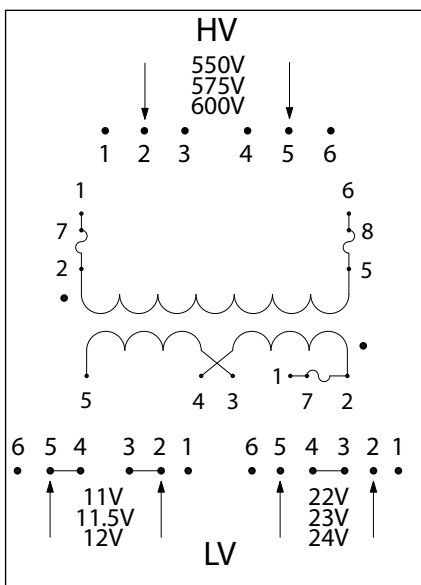
3-4, 1-2
2-3
3-4, 1-2
2-3

**Load Lines  
Connect To**

1, 4
1, 4
4, 6
4, 6

**Install Fuse  
Clips To**

Unfused
Unfused
1-5
1-5



**PH\*\*\*AR Schematic for 150VA to 500VA Units**

**High Voltage (HV)  
(Primary Volts)**

600	575	550
600	575	550

**Install Supplied Jumpers/  
Links Between Terminals**

None
None

**Supply Lines  
Connect To**

2, 5
1, 6

**Install Fuse  
Clips To**

Unfused
2-7, 5-8

**Low Voltage (LV)  
(Secondary Volts)**

12	11.5	11
24	23	22
12	11.5	11
24	23	22

**Install Supplied Links  
Between Terminals**

4-5, 2-3
3-4
4-5, 2-3
3-4

**Load Lines  
Connect To**

2, 5
2, 5
1, 5
1, 5

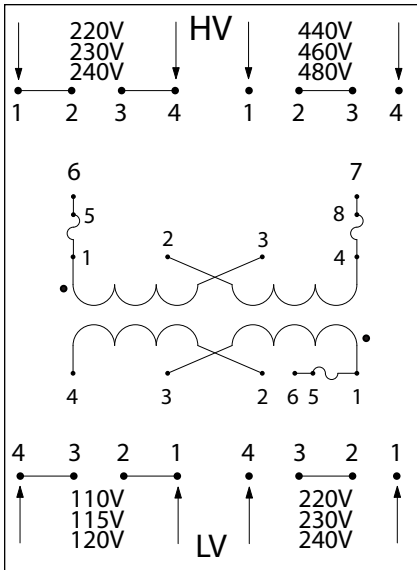
**Install Fuse  
Clips To**

Unfused
Unfused
2-7
2-7

## HPS Imperator - Wiring Schematic Drawings continued

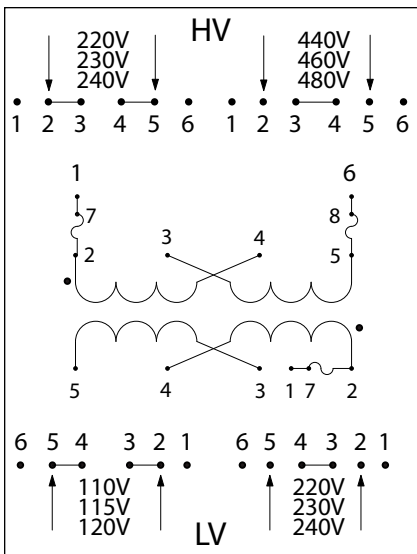
### Group C

SECTION 1



### PH\*\*\*MQMJ Schematic for 50, 75 and 100VA Units

High Voltage (HV) (Primary Volts)			Install Supplied Links Between Terminals	Supply Lines Connect To	Install Fuse Clips To
240	230	220	1-2, 3-4	1, 4	Unfused
480	460	440	2-3	1, 4	Unfused
240	230	220	1-2, 3-4	6, 7	1-5, 4-8
480	460	440	2-3	6, 7	1-5, 4-8
Low Voltage (LV) (Secondary Volts)			Install Supplied Links Between Terminals	Load Lines Connect To	Install Fuse Clips To
120	115	110	3-4, 1-2	1, 4	Unfused
240	230	220	2-3	1, 4	Unfused
120	115	110	3-4, 1-2	4, 6	1-5
240	230	220	2-3	4, 6	1-5

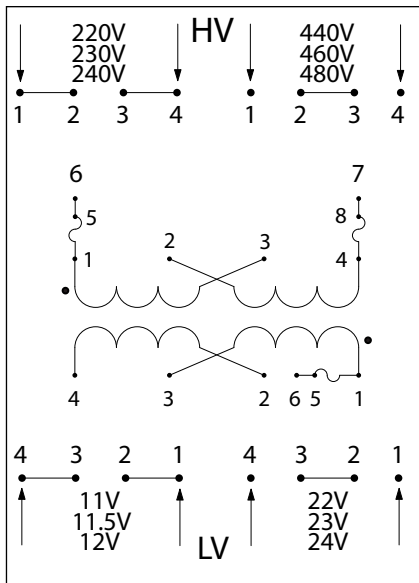


### PH\*\*\*MQMJ Schematic for 150VA to 1500VA Units

High Voltage (HV) (Primary Volts)			Install Supplied Links Between Terminals	Supply Lines Connect To	Install Fuse Clips To
240	230	220	2-3, 4-5	2, 5	Unfused
480	460	440	3-4	2, 5	Unfused
240	230	220	2-3, 4-5	1, 6	2-7, 5-8
480	460	440	3-4	1, 6	2-7, 5-8
Low Voltage (LV) (Secondary Volts)			Install Supplied Links Between Terminals	Load Lines Connect To	Install Fuse Clips To
120	115	110	4-5, 2-3	2, 5	Unfused
240	230	220	3-4	2, 5	Unfused
120	115	110	4-5, 2-3	1, 5	2-7
240	230	220	3-4	1, 5	2-7

## HPS Imperator - Wiring Schematic Drawings continued

### Group D



### PH\*\*\*QR Schematic for 50, 75 and 100VA Units

#### High Voltage (HV) (Primary Volts)

240	230	220
480	460	440
240	230	220
480	460	440

#### Install Supplied Links Between Terminals

1-2, 3-4
2-3
1-2, 3-4
2-3

#### Supply Lines Connect To

1, 4
1, 4
6, 7
6, 7

#### Install Fuse Clips To

Unfused
Unfused
1-5, 4-8
1-5, 4-8

#### Low Voltage (LV) (Secondary Volts)

12	11.5	11
24	23	22
12	11.5	11
24	23	22

#### Install Supplied Links Between Terminals

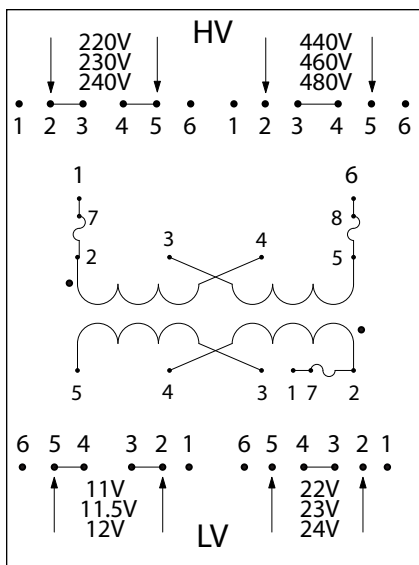
3-4, 1-2
2-3
3-4, 1-2
2-3

#### Load Lines Connect To

1, 4
1, 4
4, 6
4, 6

#### Install Fuse Clips To

Unfused
Unfused
1-5
1-5



### PH\*\*\*QR Schematic for 150VA to 500VA Units

#### High Voltage (HV) (Primary Volts)

240	230	220
480	460	440
240	230	220
480	460	440

#### Install Supplied Links Between Terminals

2-3, 4-5
3-4
2-3, 4-5
3-4

#### Supply Lines Connect To

2, 5
2, 5
1, 6
1, 6

#### Install Fuse Clips To

Unfused
Unfused
2-7, 5-8
2-7, 5-8

#### Low Voltage (LV) (Secondary Volts)

12	11.5	11
24	23	22
12	11.5	11
24	23	22

#### Install Supplied Links Between Terminals

4-5, 2-3
3-4
4-5, 2-3
3-4

#### Load Lines Connect To

2, 5
2, 5
1, 5
1, 5

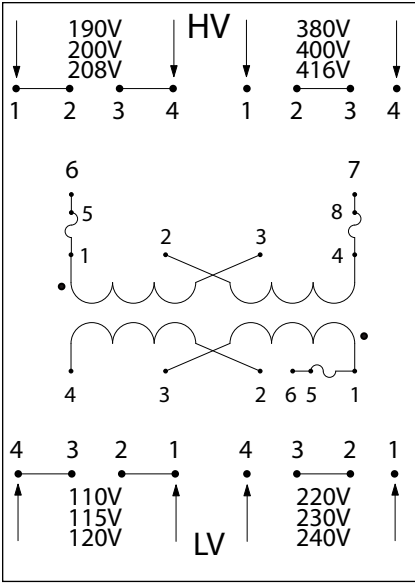
#### Install Fuse Clips To

Unfused
Unfused
2-7
2-7

## HPS Imperator - Wiring Schematic Drawings continued

### Group E

SECTION 1



**PH\*\*\*SP Schematic for 50, 75 and 100VA Units**

**High Voltage (HV)  
(Primary Volts)**

208	200	190
416	400	380
208	200	190
416	400	380

**Install Supplied Links  
Between Terminals**

1-2, 3-4
2-3
1-2, 3-4
2-3

**Supply Lines  
Connect To**

1, 4
1, 4
6, 7
6, 7

**Install Fuse  
Clips To**

Unfused
Unfused
1-5, 4-8
1-5, 4-8

**Low Voltage (LV)  
(Secondary Volts)**

120	115	110
240	230	220
120	115	110
240	230	220

**Install Supplied Links  
Between Terminals**

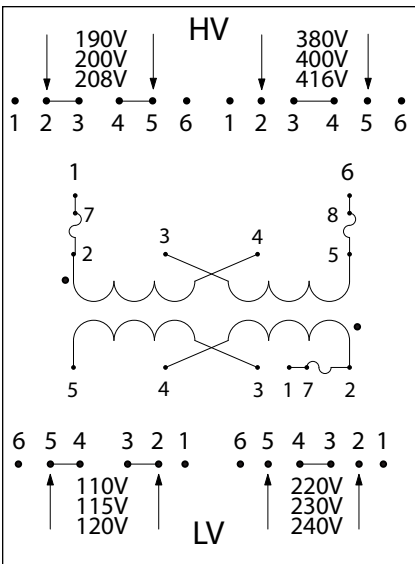
3-4, 1-2
2-3
3-4, 1-2
2-3

**Load Lines  
Connect To**

1, 4
1, 4
4, 6
4, 6

**Install Fuse  
Clips To**

Unfused
Unfused
1-5
1-5



**PH\*\*\*SP Schematic for 150VA to 1000VA Units**

**High Voltage (HV)  
(Primary Volts)**

208	200	190
416	400	380
208	200	190
416	400	380

**Install Supplied Links  
Between Terminals**

2-3, 4-5
3-4
2-3, 4-5
3-4

**Supply Lines  
Connect To**

2, 5
2, 5
1, 6
1, 6

**Install Fuse  
Clips To**

Unfused
Unfused
2-7, 5-8
2-7, 5-8

**Low Voltage (LV)  
(Secondary Volts)**

120	115	110
240	230	220
120	115	110
240	230	220

**Install Supplied Links  
Between Terminals**

4-5, 2-3
3-4
4-5, 2-3
3-4

**Load Lines  
Connect To**

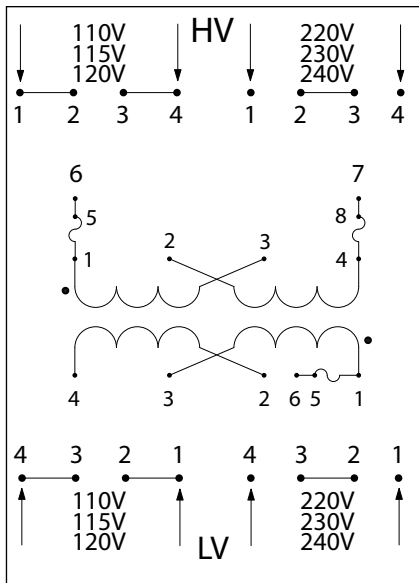
2, 5
2, 5
1, 5
1, 5

**Install Fuse  
Clips To**

Unfused
Unfused
2-7
2-7

## HPS Imperator - Wiring Schematic Drawings continued

### Group F



### PH\*\*\*PP Schematic for 50, 75 and 100VA Units

#### High Voltage (HV) (Primary Volts)

120	115	110
240	230	220
120	115	110
240	230	220

#### Install Supplied Links Between Terminals

1-2, 3-4
2-3
1-2, 3-4
2-3

#### Supply Lines Connect To

1, 4
1, 4
6, 7
6, 7

#### Install Fuse Clips To

Unfused
Unfused
1-5, 4-8
1-5, 4-8

#### Low Voltage (LV) (Secondary Volts)

120	115	110
240	230	220
120	115	110
240	230	220

#### Install Supplied Links Between Terminals

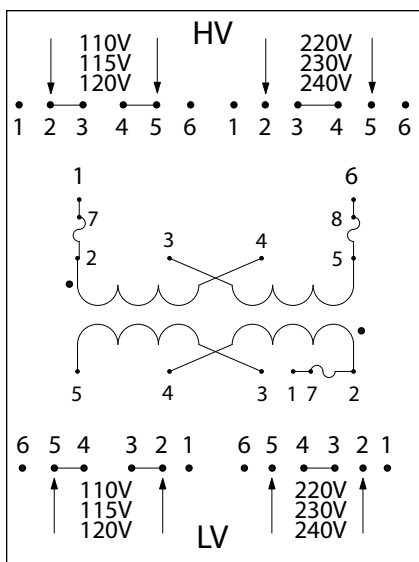
3-4, 1-2
2-3
3-4, 1-2
2-3

#### Load Lines Connect To

1, 4
1, 4
4, 6
4, 6

#### Install Fuse Clips To

Unfused
Unfused
1-5
1-5



### PH\*\*\*PP Schematic for 150VA to 1500VA Units

#### High Voltage (HV) (Primary Volts)

120	115	110
240	230	220
120	115	110
240	230	220

#### Install Supplied Links Between Terminals

2-3, 4-5
3-4
2-3, 4-5
3-4

#### Supply Lines Connect To

2, 5
2, 5
1, 6
1, 6

#### Install Fuse Clips To

Unfused
Unfused
2-7, 5-8
2-7, 5-8

#### Low Voltage (LV) (Secondary Volts)

120	115	110
240	230	220
120	115	110
240	230	220

#### Install Supplied Links Between Terminals

4-5, 2-3
3-4
4-5, 2-3
3-4

#### Load Lines Connect To

2, 5
2, 5
1, 5
1, 5

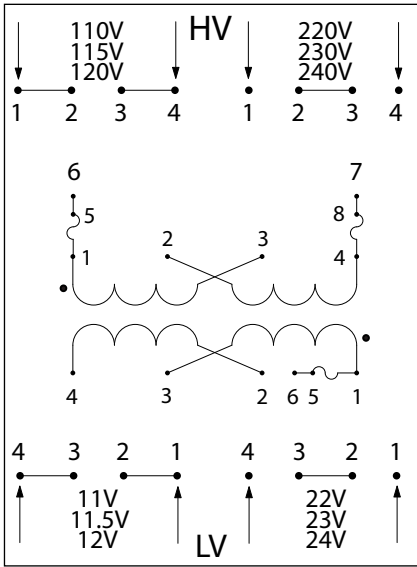
#### Install Fuse Clips To

Unfused
Unfused
2-7
2-7



## HPS Imperator - Wiring Schematic Drawings continued

### Group G



**PH\*\*\*PG Schematic for 50, 75 and 100VA Units**

**High Voltage (HV)  
(Primary Volts)**

120	115	110
240	230	220
120	115	110
240	230	220

**Install Supplied Links  
Between Terminals**

1-2, 3-4
2-3
1-2, 3-4
2-3

**Supply Lines  
Connect To**

1, 4
1, 4
6, 7
6, 7

**Install Fuse  
Clips To**

Unfused
Unfused
1-5, 4-8
1-5, 4-8

**Low Voltage (LV)  
(Secondary Volts)**

12	11.5	11
24	23	22
12	11.5	11
24	23	22

**Install Supplied Links  
Between Terminals**

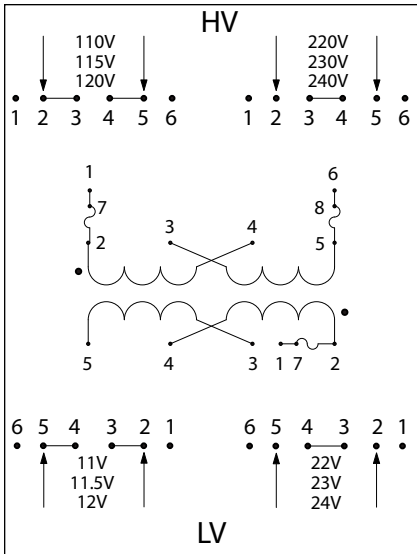
3-4, 1-2
2-3
3-4, 1-2
2-3

**Load Lines  
Connect To**

1, 4
1, 4
4, 6
4, 6

**Install Fuse  
Clips To**

Unfused
Unfused
1-5
1-5



**PH\*\*\*PG Schematic for 150VA to 500VA Units**

**High Voltage (HV)  
(Primary Volts)**

120	115	110
240	230	220
120	115	110
240	230	220

**Install Supplied Links  
Between Terminals**

2-3, 4-5
3-4
2-3, 4-5
3-4

**Supply Lines  
Connect To**

2, 5
2, 5
1, 6
1, 6

**Install Fuse  
Clips To**

Unfused
Unfused
2-7, 5-8
2-7, 5-8

**Low Voltage (LV)  
(Secondary Volts)**

12	11.5	11
24	23	22
12	11.5	11
24	23	22

**Install Supplied Links  
Between Terminals**

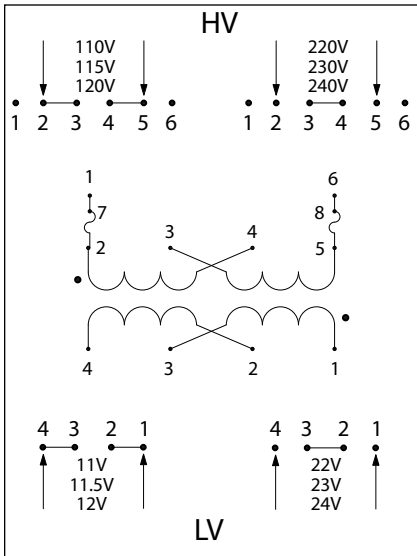
4-5, 2-3
3-4
4-5, 2-3
3-4

**Load Lines  
Connect To**

2, 5
2, 5
1, 5
1, 5

**Install Fuse  
Clips To**

Unfused
Unfused
2-7
2-7



**PH\*\*\*PG Schematic for 750VA and 1000VA Units**

**High Voltage (HV)  
(Primary Volts)**

120	115	110
240	230	220
120	115	110
240	230	220

**Install Supplied Links  
Between Terminals**

2-3, 4-5
3-4
2-3, 4-5
3-4

**Supply Lines  
Connect To**

2, 5
2, 5
1, 6
1, 6

**Install Fuse  
Clips To**

Unfused
Unfused
2-7, 5-8
2-7, 5-8

**Low Voltage (LV)  
(Secondary Volts)**

12	11.5	11
24	23	22

**Install Supplied Links  
Between Terminals**

3-4, 1-2
2-3

**Load Lines  
Connect To**

1, 4
1, 4

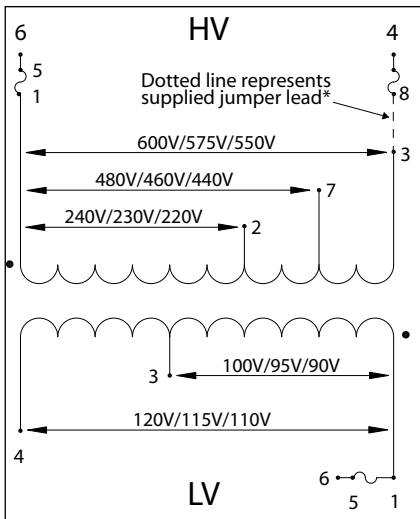
**Install Fuse  
Clips To**

Unfused
Unfused

Note: secondary fuse clips not available on PH750PG or PH1000PG.

## HPS Imperator - Wiring Schematic Drawings continued

### Group H



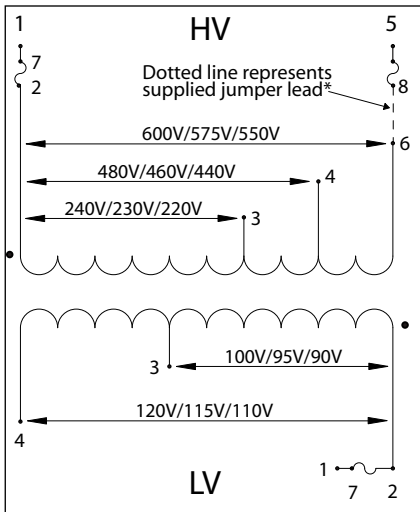
\*This primary fuse jumper is supplied with the primary fuse kit only.

### PH\*\*\*MBMH Schematic for 50 and 75VA Units

High Voltage (HV) (Primary Volts)	Install Supplied Jumpers Between Terminals	Supply Lines Connect To	Install Fuse Clips To
600 575 550	None	1, 3	Unfused
480 460 440	None	1, 7	Unfused
240 230 220	None	1, 2	Unfused
600 575 550	3-8	6, 4	1-5, 4-8
480 460 440	8-7	6, 4	1-5, 4-8
240 230 220	2-8	6, 4	1-5, 4-8

Low Voltage (LV) (Secondary Volts)	Install Supplied Jumpers/ Links Between Terminals	Load Lines Connect To	Install Fuse Clips To
120 115 110	None	1, 4	Unfused
100 95 90	None	1, 3	Unfused
120 115 110	None	4, 6	1-5
100 95 90	None	3, 6	1-5



\*This primary fuse jumper is supplied with the primary fuse kit only.

### PH\*\*\*MBMH Schematic for 100VA to 1500VA Units

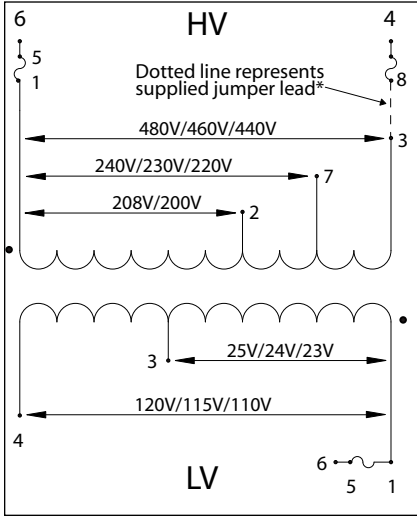
High Voltage (HV) (Primary Volts)	Install Supplied Jumpers Between Terminals	Supply Lines Connect To	Install Fuse Clips To
600 575 550	None	2, 6	Unfused
480 460 440	None	2, 4	Unfused
240 230 220	None	2, 3	Unfused
600 575 550	8-6	1, 5	2-7, 5-8
480 460 440	4-8	1, 5	2-7, 5-8
240 230 220	3-8	1, 5	2-7, 5-8

Low Voltage (LV) (Secondary Volts)	Install Supplied Jumpers/ Links Between Terminals	Load Lines Connect To	Install Fuse Clips To
120 115 110	None	2, 4	Unfused
100 95 90	None	2, 3	Unfused
120 115 110	None	1, 4	2-7
100 95 90	None	1, 3	2-7

## HPS Imperator - Wiring Schematic Drawings continued

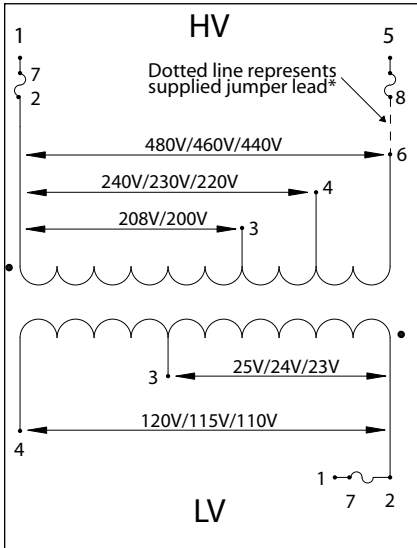
### Group I



### PH\*\*\*MLI Schematic for 50, 75 and 100VA Units

High Voltage (HV) (Primary Volts)	Install Supplied Jumpers Between Terminals	Supply Lines Connect To	Install Fuse Clips To
480 460 440	None	1, 3	Unfused
240 230 220	None	1, 7	Unfused
208 200	None	1, 2	Unfused
480 460 440	3-8	6, 4	1-5, 4-8
240 230 220	8-7	6, 4	1-5, 4-8
208 200	2-8	6, 4	1-5, 4-8
Low Voltage (LV) (Secondary Volts)	Install Supplied Jumpers Between Terminals	Load Lines Connect To	Install Fuse Clips To
120 115 110	None	1, 4	Unfused
25 24 23	None	1, 3	Unfused
120 115 110	None	4, 6	1-5
25 24 23	None	3, 6	1-5

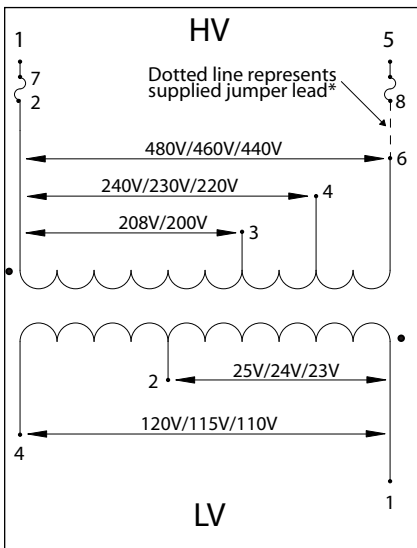
\*This primary fuse jumper is supplied with the primary fuse kit only.



### PH\*\*\*MLI Schematic for 150VA to 500VA Units

High Voltage (HV) (Primary Volts)	Install Supplied Jumpers Between Terminals	Supply Lines Connect To	Install Fuse Clips To
480 460 440	None	2, 6	Unfused
240 230 220	None	2, 4	Unfused
208 200	None	2, 3	Unfused
480 460 440	8-6	1, 5	2-7, 5-8
240 230 220	4-8	1, 5	2-7, 5-8
208 200	3-8	1, 5	2-7, 5-8
Low Voltage (LV) (Secondary Volts)	Install Supplied Jumpers Between Terminals	Load Lines Connect To	Install Fuse Clips To
120 115 110	None	2, 4	Unfused
25 24 23	None	2, 3	Unfused
120 115 110	None	1, 4	2-7
25 24 23	None	1, 3	2-7

\*This primary fuse jumper is supplied with the primary fuse kit only.



### PH\*\*\*MLI Schematic for 750VA and 1000VA Units

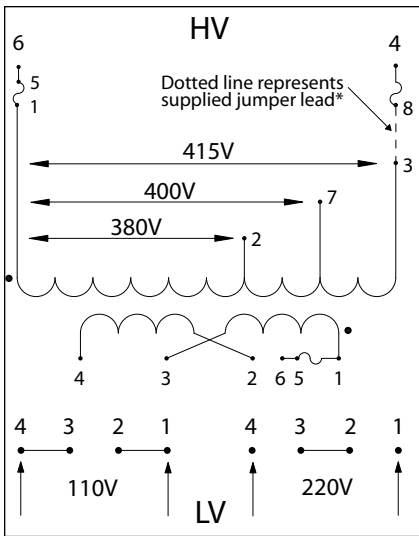
High Voltage (HV) (Primary Volts)	Install Supplied Jumpers Between Terminals	Supply Lines Connect To	Install Fuse Clips To
480 460 440	None	2, 6	Unfused
240 230 220	None	2, 4	Unfused
208 200	None	2, 3	Unfused
480 460 440	8-6	1, 5	2-7, 5-8
240 230 220	4-8	1, 5	2-7, 5-8
208 200	3-8	1, 5	2-7, 5-8
Low Voltage (LV) (Secondary Volts)	Install Supplied Jumpers Between Terminals	Load Lines Connect To	Install Fuse Clips To
120 115 110	None	1, 4	Unfused
25 24 23	None	1, 2	Unfused

Note: secondary fuse clips for 24V tap not available on the PH750MLI or PH1000MLI units.

\*This primary fuse jumper is supplied with the primary fuse kit only.

## HPS Imperator - Wiring Schematic Drawings continued

### Group J



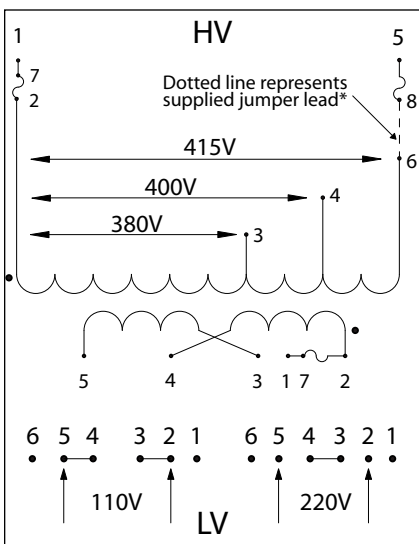
\*This primary fuse jumper is supplied with the primary fuse kit only.

### PH\*\*\*MEMX Schematic for 50, 75 and 100VA Units

High Voltage (HV) (Primary Volts)	Install Supplied Jumpers Between Terminals	Supply Lines Connect To	Install Fuse Clips To
415	None	1, 3	Unfused
400	None	1, 7	Unfused
380	None	1, 2	Unfused
415	3-8	6, 4	1-5, 4-8
400	8-7	6, 4	1-5, 4-8
380	2-8	6, 4	1-5, 4-8

Low Voltage (LV) (Secondary Volts)	Install Supplied Links Between Terminals	Load Lines Connect To	Install Fuse Clips To
110	3-4, 1-2	1, 4	Unfused
220	2-3	1, 4	Unfused
110	3-4, 1-2	4, 6	1-5
220	2-3	4, 6	1-5



\*This primary fuse jumper is supplied with the primary fuse kit only.

### PH\*\*\*MEMX Schematic for 150VA to 1000VA Units

High Voltage (HV) (Primary Volts)	Install Supplied Jumpers Between Terminals	Supply Lines Connect To	Install Fuse Clips To
415	None	2, 6	Unfused
400	None	2, 4	Unfused
380	None	2, 3	Unfused
415	8-6	1, 5	2-7, 5-8
400	4-8	1, 5	2-7, 5-8
380	3-8	1, 5	2-7, 5-8

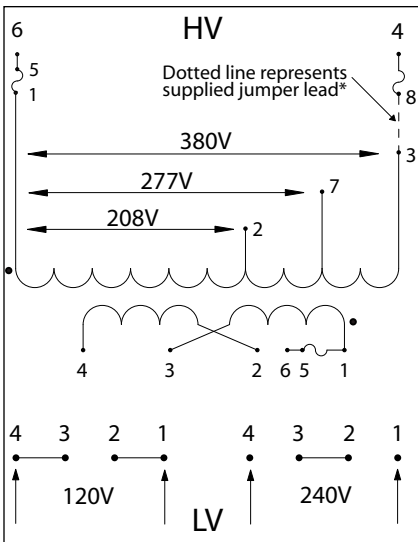
  

Low Voltage (LV) (Secondary Volts)	Install Supplied Links Between Terminals	Load Lines Connect To	Install Fuse Clips To
110	4-5, 2-3	2, 5	Unfused
220	3-4	2, 5	Unfused
110	4-5, 2-3	1, 5	2-7
220	3-4	1, 5	2-7

## HPS Imperator - Wiring Schematic Drawings continued

### Group K

SECTION 1



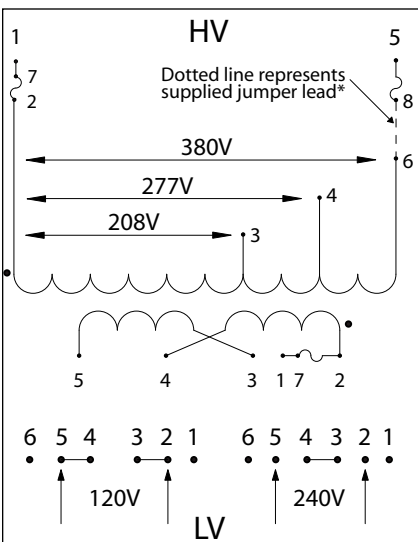
\*This primary fuse jumper is supplied with the primary fuse kit only.

### PH\*\*\*MGJ Schematic for 50, 75 and 100VA Units

High Voltage (HV) (Primary Volts)	Install Supplied Jumpers Between Terminals	Supply Lines Connect To	Install Fuse Clips To
380	None	1, 3	Unfused
277	None	1, 7	Unfused
208	None	1, 2	Unfused
380	3-8	6, 4	1-5, 4-8
277	8-7	6, 4	1-5, 4-8
208	2-8	6, 4	1-5, 4-8

Low Voltage (LV) (Secondary Volts)	Install Supplied Links Between Terminals	Load Lines Connect To	Install Fuse Clips To
120	3-4, 1-2	1, 4	Unfused
240	2-3	1, 4	Unfused
120	3-4, 1-2	4, 6	1-5
240	2-3	4, 6	1-5



\*This primary fuse jumper is supplied with the primary fuse kit only.

### PH\*\*\*MGJ Schematic for 150VA to 1000VA Units

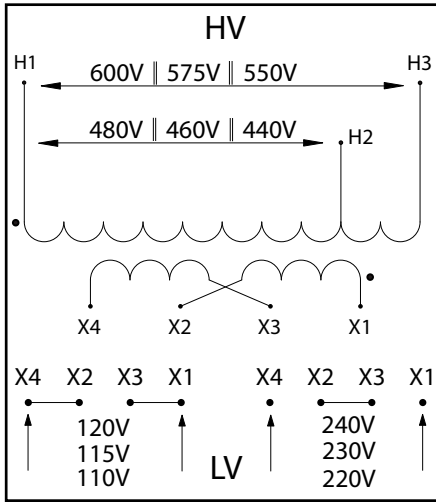
High Voltage (HV) (Primary Volts)	Install Supplied Jumpers Between Terminals	Supply Lines Connect To	Install Fuse Clips To
380	None	2, 6	Unfused
277	None	2, 4	Unfused
208	None	2, 3	Unfused
380	8-6	1, 5	2-7, 5-8
277	4-8	1, 5	2-7, 5-8
208	3-8	1, 5	2-7, 5-8

Low Voltage (LV) (Secondary Volts)	Install Supplied Links Between Terminals	Load Lines Connect To	Install Fuse Clips To
120	4-5, 2-3	2, 5	Unfused
240	3-4	2, 5	Unfused
120	4-5, 2-3	1, 5	2-7
240	3-4	1, 5	2-7

## HPS Spartan and HPS Fusion - Wiring Schematic Drawings

### Group A



#### SP\*\*\*ACP Schematic Connections for 600/480 to 120 X 240

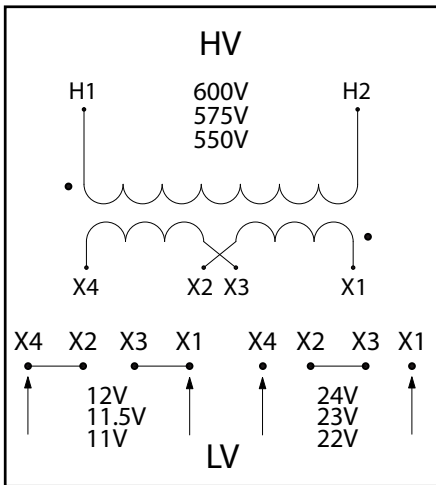
#### FS\*\*\*ACP Schematic Connections for 600/480 to 120 X 240

High Voltage (HV) (Primary Volts)	Install Supplied Jumpers Between Terminals	Supply Lines Connect To
600 575 550	None	H1, H3
480 460 440	None	H1, H2

Low Voltage (LV) (Secondary Volts)	Install Supplied Links Between Terminals	Load Lines Connect To
120 115 110	X1-X3, X2-X4	X1, X4
240 230 220	X2-X3	X1, X4

### Group B



#### SP\*\*\*AR Schematic Connections for 600/480 to 12 X 24

#### FS\*\*\*AR Schematic Connections for 600/480 to 12 X 24

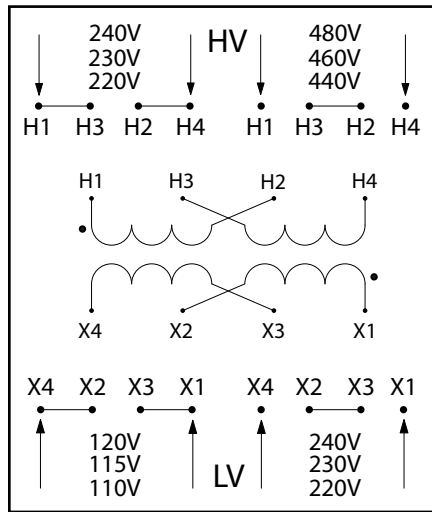
High Voltage (HV) (Primary Volts)	Install Supplied Jumpers Between Terminals	Supply Lines Connect To
600 575 550	None	H1, H2

Low Voltage (LV) (Secondary Volts)	Install Supplied Links Between Terminals	Load Lines Connect To
12 11.5 11	X1-X3, X2-X4	X1, X4
24 23 22	X2-X3	X1, X4

## HPS Fusion and HPS Spartan - Wiring Schematic Drawings continued

### Group C

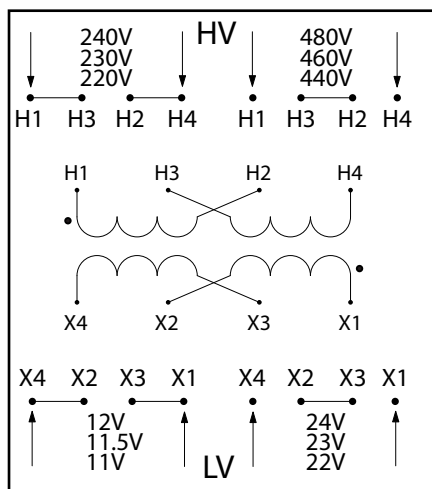


#### SP\*\*\*MQMJ Schematic Connections for 240 X 480 to 120 X 240

#### FS\*\*\*MQMJ Schematic Connections for 240 X 480 to 120 X 240

High Voltage (HV) (Primary Volts)			Install Supplied Jumpers Between Terminals	Supply Lines Connect To
240	230	220	H1-H3, H2-H4	H1, H4
480	460	440	H2-H3	H1, H4
Low Voltage (LV) (Secondary Volts)			Install Supplied Links Between Terminals	Load Lines Connect To
120	115	110	X1-X3, X2-X4	X1, X4
240	230	220	X2-X3	X1, X4

### Group D



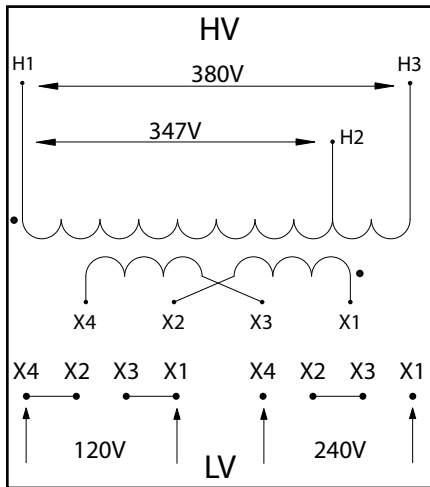
#### SP\*\*\*QR Schematic Connections for 240 X 480 to 12 X 24

#### FS\*\*\*QR Schematic Connections for 240 X 480 to 12 X 24

High Voltage (HV) (Primary Volts)			Install Supplied Jumpers Between Terminals	Supply Lines Connect To
240	230	220	H1-H3, H2-H4	H1, H4
480	460	440	H2-H3	H1, H4
Low Voltage (LV) (Secondary Volts)			Install Supplied Links Between Terminals	Load Lines Connect To
12	11.5	11	X1-X3, X2-X4	X1, X4
24	23	22	X2-X3	X1, X4

## HPS Fusion and HPS Spartan - Wiring Schematic Drawings continued

### Group E

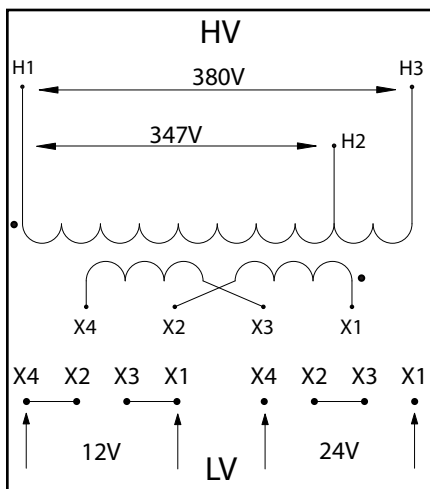


#### SP\*\*\*KHP Schematic Connections for 380/347 to 120 X 240

#### FS\*\*\*KHP Schematic Connections for 380/347 to 120 X 240

High Voltage (HV) (Primary Volts)	Install Supplied Jumpers Between Terminals	Supply Lines Connect To
380	None	H1, H3
347	None	H1, H2
Low Voltage (LV) (Secondary Volts)	Install Supplied Links Between Terminals	Load Lines Connect To
120	X1-X3, X2-X4	X1, X4
240	X2-X3	X1, X4

### Group F



#### SP\*\*\*KHR Schematic Connections for 380/347 to 12 X 24

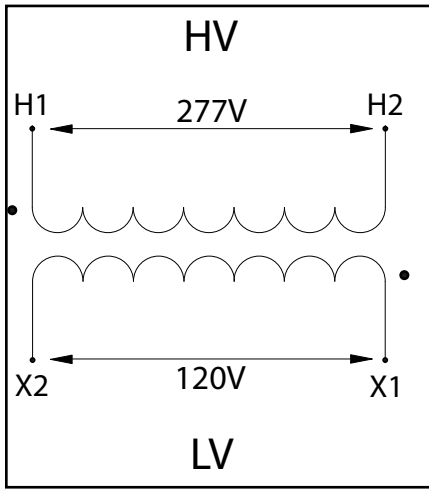
#### FS\*\*\*KHR Schematic Connections for 380/347 to 12 X 24

High Voltage (HV) (Primary Volts)	Install Supplied Jumpers Between Terminals	Supply Lines Connect To
380	None	H1, H3
347	None	H1, H2
Low Voltage (LV) (Secondary Volts)	Install Supplied Links Between Terminals	Load Lines Connect To
12	X1-X3, X2-X4	X1, X4
24	X2-X3	X1, X4



## HPS Spartan and HPS Fusion - Wiring Schematic Drawings continued

### Group G

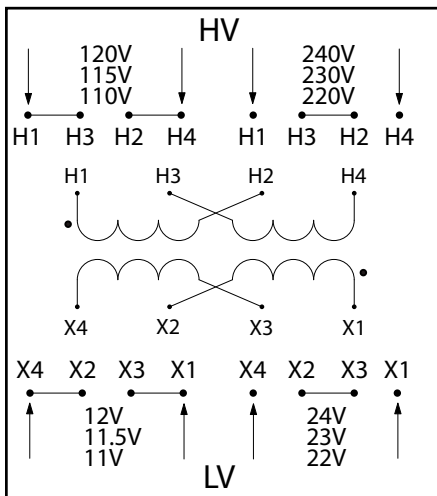


#### SP\*\*\*NJ Schematic Connections for 277 to 120

#### FS\*\*\*NJ Schematic Connections for 277 to 120

High Voltage (HV) (Primary Volts)	Install Supplied Jumpers Between Terminals	Supply Lines Connect To
277	None	H1, H2
Low Voltage (LV) (Secondary Volts)	Install Supplied Links Between Terminals	Load Lines Connect To
120	None	X1, X2

### Group H



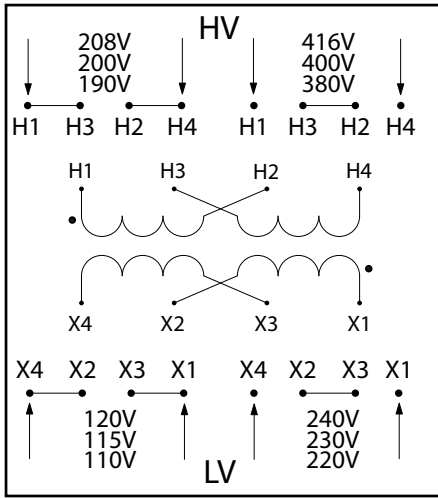
#### SP\*\*\*PR Schematic Connections for 120 X 240 to 12 X 24

#### FS\*\*\*PR Schematic Connections for 120 X 240 to 12 X 24

High Voltage (HV) (Primary Volts)	Install Supplied Jumpers Between Terminals	Supply Lines Connect To
120 115 110	H1-H3, H2-H4	H1, H4
240 230 220	H2-H3	H1, H4
Low Voltage (LV) (Secondary Volts)	Install Supplied Links Between Terminals	Load Lines Connect To
12 11.5 11	X1-X3, X2-X4	X1, X4
24 23 22	X2-X3	X1, X4

## HPS Spartan and HPS Fusion - Wiring Schematic Drawings continued

### Group I

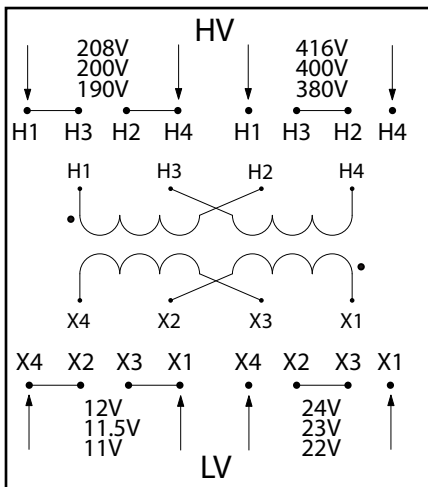


### SP\*\*\*SP Schematic Connections for 208 X 416 to 120 X 240

### FS\*\*\*SP Schematic Connections for 208 X 416 to 120 X 240

High Voltage (HV) (Primary Volts)			Install Supplied Jumpers Between Terminals	Supply Lines Connect To
208	200	190	H1-H3, H2-H4	H1, H4
416	400	380	H2-H3	H1, H4
Low Voltage (LV) (Secondary Volts)			Install Supplied Links Between Terminals	Load Lines Connect To
120	115	110	X1-X3, X2-X4	X1, X4
240	230	220	X2-X3	X1, X4

### Group J



### SP\*\*\*SR Schematic Connections for 208 X 416 to 12 X 24

### FS\*\*\*SR Schematic Connections for 208 X 416 to 12 X 24

High Voltage (HV) (Primary Volts)			Install Supplied Jumpers Between Terminals	Supply Lines Connect To
208	200	190	H1-H3, H2-H4	H1, H4
416	400	380	H2-H3	H1, H4
Low Voltage (LV) (Secondary Volts)			Install Supplied Links Between Terminals	Load Lines Connect To
12	11.5	11	X1-X3, X2-X4	X1, X4
24	23	22	X2-X3	X1, X4





## **SECTION 2**

# **HPS UNIVERSAL™ BUCK-BOOST TRANSFORMERS**

### **Single and Three Phase Potted Buck-Boost Transformers**

<b>Buck-Boost Applications &amp; Standard Specification.....</b>	<b>80</b>
<b>Selecting Buck-Boost Transformers .....</b>	<b>81</b>
<b>Single Phase Selection Tables .....</b>	<b>82</b>
<b>Three Phase Selection Tables .....</b>	<b>85</b>
<b>Single Phase Specification Tables .....</b>	<b>88</b>
<b>Three Phase Specification Tables .....</b>	<b>89</b>
<b>Single Phase Connection Diagrams .....</b>	<b>90</b>
<b>Three Phase Connection Diagrams .....</b>	<b>91</b>
<b>Three Phase Buck-Boost Q &amp; A .....</b>	<b>93</b>

## Why Use Buck-Boost Transformers?

The advantages of using a buck-boost transformer over an equivalent standard isolation transformer are:

### Advantages

1. Used in a variety of applications
2. Inexpensive and stocked voltage correction
3. Smaller and lighter than an isolation transformer

### Disadvantages

1. No circuit isolation
2. Cannot create a neutral
3. KVA and voltages do not match what's on the nameplate kVA and voltages.



## Buck-Boost Application

Buck-boost transformers offer an economical solution to the adjustment of line voltages that are slightly above or below normal. When a buck-boost transformer is connected as an autotransformer, only a portion of the load kVA is actually transformed. The majority of the load kVA is passed directly through to the source. For this reason a buck-boost transformer may be used to supply a much larger kVA load than is indicated on the nameplate.

Buck-boost transformers can be used to adjust stable voltages only.

## BUCK-BOOST STANDARD SPECIFICATIONS

	50 to 1000 VA	1500 to 5000 VA
<b>UL Listed</b>	File: E50394	File: E50394
<b>CSA Certified</b>	File: LR3902	File: LR3902
<b>Frequency</b>	50/60 Hz	50/60 Hz
<b>Insulation System</b>	130°C (80°C rise)	180°C (115°C rise)
<b>Standard Design</b>	Single phase, welded core construction made with high quality, high permeability silicon steel laminations. Computer designed coils, accurately wound from high quality copper magnetic wire.	Single phase, welded core construction made with high quality, high permeability silicon steel laminations. Computer designed coils, accurately wound from high quality copper magnetic wire.
<b>Encapsulation</b>	All units from 50VA to 5kVA are encapsulated with electrical grade silica sand and resin compounds.	All units from 50VA to 5kVA are encapsulated with electrical grade silica sand and resin compounds.
<b>Enclosure Type</b>	Heavy Duty Type 3R (optional Type 4, 4X and 12 available)	Heavy Duty Type 3R (optional Type 4, 4X and 12 available)
<b>Enclosure Finish</b>	ANSI 61 Grey, UL50	ANSI 61 Grey, UL50
<b>Termination</b>	Front accessible separate high and low voltage lead wires or copper tabs.	Front accessible separate high and low voltage lead wires or copper tabs.
<b>Conduit Knock-Outs</b>	Side and rear standard on all units (no knock-outs on Stainless Steel enclosures).	Side and rear standard on all units (no knock-outs on Stainless Steel enclosures).
<b>Mounting</b>	Standard Wall Mounting.	Standard Wall Mounting.

## Voltage Is the Key

Buck-boost transformers represent an economical way to both raise supply voltage caused by line drop or equipment demand on the distribution system, or lower voltage caused by increased system voltages due to supply line adjustments. Some loads including lighting and resistive loads require a stable supply to maintain performance. The detrimental effects of incorrect supply line voltage can cause equipment failure. Buck-boost transformers can correct line voltage within 5 to 25% of nominal.

## Steps for Selecting Buck-Boost Transformers

The following information is required before selecting a buck-boost transformer:

1. Line Voltage - The voltage that you want to buck (decrease) or boost (increase). This can be determined by measuring the supply line voltage with a voltmeter.
2. Load Voltage - The voltage at which your equipment is designed to operate. This is listed on the nameplate of the load equipment.
3. Load kVA or Load Amps - You do not need to know both - one or the other is sufficient. This information usually can be found on the nameplate of the equipment that you want to operate. It is the sum of all the equipment that represents the load.
4. Frequency - The supply line frequency must be the same as the equipment to be operated - either 50 or 60 Hertz.
5. Phase - The supply line should be the same as the load - either single or three phase.

### Four Steps to Select the Correct Buck-Boost Transformer

1. From the top row of each "Selection Chart", select a 'high voltage' and 'low voltage' combination that is the closest to matching the high voltage and low voltage correction that is required for your application.
2. Move down that column to the kVA or current rating equal to, or greater than, the rating required by the total load. It is not likely that the exact value of the load will be found, so go to the next higher rating.
3. From the far left column, select the corresponding catalog number of the exact buck-boost transformer required. Refer to specification tables for dimensional information.
4. Connect the transformer in accordance with the connection diagram referenced at the bottom of the same column where you selected your high voltage and low voltage combination. Connection diagrams are on pages 90 to 92 in this catalog section. They are also packaged with each transformer.



## How to use the Selection Chart

1. From the top row of the "Selection Chart" locate the high and low voltage combination that is closest to the one you require.
2. Move down that column to the kVA or Ampere rating equal to or greater than the rating required by the load.
3. From the far left column, obtain the transformer catalog number.
4. For dimensional information refer to the specifications table (Group A) on page 88.
5. The corresponding connection diagram is indicated at the bottom of the Voltage / kVA column. See page 90 for the connection diagrams.

## Single Phase - Group A Selection Chart

Catalog Number	Low Voltage High Voltage	96	100	100	105	110	110	115	115	120	120	200	208	220	220	240	240
		115	110	120	115	121	132	126	138	132	144	220	229	231	242	252	264
QC05ERCB	HV Amps	2.08	4.17	2.08	4.17	4.17	2.08	4.17	2.08	4.17	2.08	2.08	2.08	4.17	2.08	4.17	2.08
	KVA	.240	.458	.250	.480	.504	.275	.526	.288	.550	.300	.458	.477	.963	.504	1.05	.550
QC10ERCB	HV Amps	4.17	8.33	4.17	8.33	8.33	4.17	8.33	4.17	8.33	4.17	4.17	4.17	8.33	4.17	8.33	4.17
	KVA	.480	.917	.500	.961	1.01	.550	1.05	.575	1.10	.600	.917	.953	1.92	1.01	2.10	1.10
QC15ERCB	HV Amps	6.25	12.5	6.25	12.5	12.5	6.25	12.5	6.25	12.5	6.25	6.25	6.25	12.5	6.25	12.5	6.25
	KVA	.720	1.38	.750	1.44	1.51	.825	1.58	.863	1.65	.900	1.38	1.43	2.88	1.51	3.15	1.65
QC20ERCB	HV Amps	8.33	16.7	8.33	16.7	16.7	8.33	16.7	8.33	16.7	8.33	8.33	8.33	16.7	8.33	16.7	8.33
	KVA	.960	1.83	1.00	1.92	2.02	1.10	2.11	1.15	2.20	1.20	1.83	1.91	3.85	2.02	4.20	2.20
QC25ERCB	HV Amps	10.4	20.8	10.4	20.8	20.8	10.4	20.8	10.4	20.8	10.4	10.4	10.4	20.8	10.4	20.8	10.4
	KVA	1.20	2.29	1.25	2.40	2.52	1.37	2.63	1.44	2.75	1.50	2.29	2.38	4.81	2.52	5.25	2.75
QC35ERCB	HV Amps	14.6	29.2	14.6	29.2	29.2	14.6	29.2	14.6	29.2	14.6	14.6	14.6	29.2	14.6	29.2	14.6
	KVA	1.68	3.21	1.75	3.36	3.53	1.92	3.68	2.01	3.85	2.10	3.21	3.34	6.74	3.53	7.35	3.85
QC50ERCB	HV Amps	20.8	41.6	20.8	41.7	41.7	20.8	41.7	20.8	41.7	20.8	20.8	20.8	41.7	20.8	41.7	20.8
	KVA	2.39	4.58	2.50	4.80	5.04	2.75	5.26	2.87	5.50	3.00	4.58	4.77	9.62	5.04	10.5	5.50
QC75ERCB	HV Amps	31.2	62.5	31.2	62.5	62.5	31.2	62.5	31.2	62.5	31.2	31.2	31.2	62.5	31.2	62.5	31.2
	KVA	3.60	6.87	3.75	7.20	7.56	4.12	7.89	4.31	8.25	4.50	6.87	7.15	14.4	7.56	15.7	8.25
Q1C0ERCB	HV Amps	41.7	83.3	41.7	83.3	83.3	41.7	83.3	41.7	83.3	41.7	41.7	41.7	83.3	41.7	83.3	41.7
	KVA	4.80	9.17	5.00	9.60	10.1	5.50	10.5	5.75	11.0	6.00	9.17	9.53	19.2	10.1	21.0	11.0
Q1C5ERCF	HV Amps	62.5	125	62.5	125	125	62.5	125	62.5	125	62.5	62.5	62.5	125	62.5	125	62.5
	KVA	7.20	13.7	7.50	14.4	15.1	8.25	15.8	8.62	16.5	9.00	13.7	14.3	28.9	15.1	31.5	16.5
Q002ERCF	HV Amps	83.3	166	83.3	166	166	83.3	166	83.3	166	83.3	83.3	83.3	166	83.3	166	83.3
	KVA	9.58	18.3	10.0	19.2	20.1	11.0	21.0	11.5	22.0	12.0	18.3	19.0	38.5	20.1	42.0	22.0
Q003ERCF	HV Amps	125	250	125	250	250	125	250	125	250	125	125	125	250	125	250	125
	KVA	14.4	27.5	15.0	28.8	30.2	16.5	31.5	17.2	33.0	18.0	27.5	28.6	57.7	30.2	63.0	33.0
Q005ERCF	HV Amps	208	417	208	417	417	208	417	208	417	208	208	208	417	208	417	208
	KVA	24.0	45.8	25.0	48.0	50.4	27.5	52.7	28.7	55.0	30.0	45.8	47.7	96.3	50.4	105	55.0
CONNECTION DIAGRAM		2	1	2	1	1	2	1	2	1	2	4	4	3	4	3	4

SECTION 2



## How to use the Selection Chart

1. From the top row of the "Selection Chart" locate the high and low voltage combination that is closest to the one you require.
2. Move down that column to the kVA or Ampere rating equal to or greater than the rating required by the load.
3. From the far left column, obtain the transformer catalog number.
4. For dimensional information refer to the specifications table (Group B) on page 88.
5. The corresponding connection diagram is indicated at the bottom of the Voltage / kVA column. See page 90 for the connection diagrams.

## Single Phase - Group B Selection Chart

Catalog Number	Low Voltage High Voltage	95	101	106	110	110	115	115	120	120	203	208	220	220	230	240	240
		120	115	120	125	139	130	146	136	152	230	236	235	249	261	256	272
QC05ESCB	HV Amps	1.56	3.13	3.13	3.13	1.56	3.13	1.56	3.13	1.56	1.56	1.56	3.13	1.56	1.56	3.13	1.56
	KVA	.188	.359	.375	.390	.218	.407	.228	.425	.238	.359	.368	.733	.390	.407	.800	.425
	LV Amps	1.98	3.54	3.54	3.54	1.98	3.54	1.98	3.54	1.98	1.77	1.77	3.33	1.77	1.77	3.33	1.77
QC10ESCB	HV Amps	3.12	6.25	6.25	6.25	3.12	6.25	3.12	6.25	3.12	3.12	3.12	6.25	3.12	3.12	6.25	3.12
	KVA	.376	.718	.751	.779	.435	.815	.455	.850	.475	.719	.737	1.47	.779	.815	1.60	.850
	LV Amps	3.96	7.08	7.08	7.08	3.96	7.08	3.96	7.08	3.96	3.54	3.54	6.67	3.54	3.54	6.67	3.54
QC15ESCB	HV Amps	4.69	9.38	9.38	9.38	4.69	9.38	4.69	9.38	4.69	4.69	4.69	9.38	4.69	4.69	9.38	4.69
	KVA	.564	1.07	1.13	1.17	.653	1.22	.683	1.28	.713	1.08	1.10	2.20	1.17	1.22	2.40	1.28
	LV Amps	5.94	10.6	10.6	10.6	5.94	10.6	5.94	10.6	5.94	5.31	5.31	10.0	5.31	5.31	10.0	5.31
QC20ESCB	HV Amps	6.25	12.5	12.5	12.5	6.25	12.5	6.25	12.5	6.25	6.25	6.25	12.5	6.25	6.25	12.5	6.25
	KVA	.752	1.43	1.50	1.56	0.871	1.63	0.91	1.70	.950	1.44	1.47	2.93	1.56	1.63	3.20	1.70
	LV Amps	7.92	14.2	14.2	14.2	7.92	14.2	7.92	14.2	7.92	7.08	7.08	13.3	7.08	7.08	13.3	7.08
QC25ESCB	HV Amps	7.81	15.6	15.6	15.6	7.81	15.6	7.81	15.6	7.81	7.81	7.81	15.6	7.81	7.81	15.6	7.81
	KVA	0.94	1.80	1.87	1.95	1.09	2.04	1.14	2.12	1.19	1.80	1.84	3.67	1.95	2.04	4.00	2.12
	LV Amps	9.90	17.7	17.7	17.7	9.87	17.7	9.90	17.7	9.90	8.85	8.85	16.7	8.85	8.85	16.7	8.85
QC35ESCB	HV Amps	10.9	21.9	21.9	21.9	10.9	21.9	10.9	21.9	10.9	10.9	10.9	21.9	10.9	10.9	21.9	10.9
	KVA	1.31	2.51	2.63	2.73	1.52	2.85	1.59	2.98	1.66	2.51	2.58	5.13	2.73	2.85	5.60	2.98
	LV Amps	13.9	24.8	24.8	24.8	13.9	24.8	13.9	24.8	13.9	12.4	12.4	23.3	12.4	12.4	23.3	12.4
QC50ESCB	HV Amps	15.6	31.2	31.2	31.2	15.6	31.2	15.6	31.2	15.6	15.6	15.6	31.2	15.6	15.6	31.2	15.6
	KVA	1.88	3.59	3.75	3.90	2.18	4.07	2.28	4.25	2.37	3.59	3.68	7.33	3.90	4.07	8.00	4.25
	LV Amps	19.8	35.4	35.4	35.4	19.8	35.4	19.8	35.4	19.8	17.7	17.7	33.3	17.7	17.7	33.3	17.7
QC75ESCB	HV Amps	23.4	46.8	46.8	46.9	23.4	46.9	23.4	46.9	23.4	23.4	23.4	46.9	23.4	23.4	46.9	23.4
	KVA	2.82	5.39	5.63	5.84	3.27	6.10	3.41	6.37	3.56	5.39	5.53	11.0	5.84	6.11	12.0	6.37
	LV Amps	29.7	53.1	53.1	53.1	29.7	53.1	29.7	53.1	29.7	26.6	26.6	50.0	26.6	26.6	50.0	26.6
Q1C0ESCB	HV Amps	31.2	62.5	62.5	62.5	31.2	62.5	31.2	62.5	31.2	31.2	31.2	62.5	31.2	31.2	62.5	31.2
	KVA	3.76	7.18	7.50	7.79	4.35	8.15	4.55	8.50	4.75	7.19	7.37	14.7	7.79	8.15	16.0	8.50
	LV Amps	39.6	70.8	70.8	70.8	39.6	70.8	39.6	70.8	39.6	35.4	35.4	66.7	35.4	35.4	66.7	35.4
Q1C5ESCF	HV Amps	46.9	93.7	93.7	93.7	46.9	93.7	46.9	93.7	46.9	46.9	46.8	93.7	46.9	46.9	93.7	46.9
	KVA	5.64	10.8	11.2	11.7	6.53	12.2	6.83	12.7	7.12	10.8	11.0	22.0	11.7	12.2	24.0	12.7
	LV Amps	59.4	106	106	106	59.4	106	59.4	106	59.4	53.1	53.1	100	53.1	53.1	100	53.1
Q002ESCF	HV Amps	62.5	125	125	125	62.5	125	62.5	125	62.5	62.5	62.5	125	62.5	62.5	125	62.5
	KVA	7.50	14.4	15.0	15.6	8.71	16.3	9.10	17.0	9.50	14.4	14.7	29.3	15.6	16.3	32.0	17.0
	LV Amps	79.1	142	142	142	79.2	142	79.2	142	79.2	70.8	70.8	133	70.8	70.8	133	70.8
Q003ESCF	HV Amps	93.7	187	187	187	93.7	187	93.7	187	93.7	93.7	93.7	187	93.7	93.7	187	93.7
	KVA	11.3	21.5	22.5	23.4	13.0	24.4	13.6	25.5	14.2	21.6	22.1	44.0	23.4	24.4	48.0	25.5
	LV Amps	119	212	212	212	119	212	119	212	119	106	106	200	106	106	200	106
Q005ESCF	HV Amps	156	312	312	312	156	312	156	312	156	156	156	312	156	156	312	156
	KVA	18.8	35.9	37.5	39.0	21.8	40.7	22.8	42.5	23.8	35.9	36.8	73.3	39.0	40.7	80.0	42.5
	LV Amps	198	354	354	354	198	354	198	354	198	177	177	333	177	177	333	177
CONNECTION DIAGRAM		2	1	1	1	2	1	2	1	2	4	4	3	4	4	3	4





## How to use the Selection Chart

1. From the top row of the "Selection Chart" locate the high and low voltage combination that is closest to the one you require.
2. Move down that column to the kVA or Ampere rating equal to or greater than the rating required by the load.
3. From the far left column, obtain the transformer catalog number.
4. For dimensional information refer to the specifications table (Group C) on page 88.
5. The corresponding connection diagram is indicated at the bottom of the Voltage / kVA column. See page 90 for the connection diagrams.

## Single Phase - Group C Selection Chart

Catalog Number	Low Voltage High Voltage	200	208	220	230	240	380	416	430	435	436	440	440	450	456	460	480
		220	229	242	276	264	418	458	473	457	480	462	484	473	479	483	504
QC05DTCB	HV Amps	2.08	2.08	2.08	1.04	2.08	1.04	1.04	1.04	2.08	1.04	2.08	1.04	2.08	2.08	2.08	2.08
	KVA	0.46	0.48	0.50	0.29	0.55	0.44	0.48	0.49	0.95	0.50	0.96	0.50	0.98	1.00	1.01	1.05
QC10DTCB	HV Amps	4.17	4.17	4.17	2.08	4.17	2.08	2.08	2.08	4.17	2.08	4.17	2.08	4.17	4.17	4.17	4.17
	KVA	0.92	0.95	1.01	0.58	1.10	0.87	0.95	0.99	1.90	1.00	1.93	1.01	1.97	2.00	2.01	2.10
QC15DTCB	HV Amps	6.25	6.25	6.25	3.13	6.25	3.13	3.13	3.13	6.25	3.13	6.25	3.13	6.25	6.25	6.25	6.25
	KVA	1.38	1.43	1.51	0.86	1.65	1.31	1.43	1.48	2.85	1.50	2.89	1.51	2.95	2.99	3.02	3.15
QC20DTCB	HV Amps	8.33	8.33	8.33	4.17	8.33	4.17	4.17	4.17	8.33	4.17	8.33	4.17	8.33	8.33	8.33	8.33
	KVA	1.83	1.91	2.02	1.15	2.20	1.74	1.91	1.97	3.81	2.00	3.85	2.02	3.94	3.99	4.03	4.20
QC25DTCB	HV Amps	10.4	10.4	10.4	5.21	10.4	5.21	5.21	5.21	10.4	5.21	10.4	5.21	10.4	10.4	10.4	10.4
	KVA	2.29	2.38	2.52	1.44	2.75	2.18	2.38	2.46	4.76	2.50	4.81	2.52	4.92	4.99	5.03	5.25
QC35DTCB	HV Amps	14.6	14.6	14.6	7.3	14.6	7.3	7.3	7.3	14.6	7.3	14.6	7.3	14.6	14.6	14.6	14.6
	KVA	3.21	3.34	3.53	2.01	3.85	3.05	3.34	3.45	6.61	3.50	6.74	3.53	6.89	6.98	7.0	7.4
QC50DTCB	HV Amps	20.8	20.8	20.8	10.4	20.8	10.4	10.4	10.4	20.8	10.4	20.8	10.4	20.8	20.8	20.8	20.8
	KVA	4.58	4.77	5.04	2.88	5.5	4.35	4.77	4.93	9.52	5.00	9.63	5.04	9.84	9.98	10.1	10.5
QC75DTCB	HV Amps	31.3	31.3	31.3	15.6	31.3	15.6	15.6	15.6	31.3	15.6	31.3	15.6	31.3	31.3	31.3	31.3
	KVA	6.88	7.15	7.56	4.31	8.25	6.53	7.15	7.39	14.3	7.49	14.4	7.56	14.8	15.0	15.1	15.8
Q1C0DTCB	HV Amps	41.7	41.7	41.7	20.8	41.7	20.8	20.8	20.8	41.7	20.8	41.7	20.8	41.7	41.7	41.7	41.7
	KVA	9.17	9.53	10.1	5.75	11	8.71	9.53	9.85	19.0	9.99	19.3	10.1	19.7	20.0	20.1	21.0
Q1C5DTCF	HV Amps	62.5	62.5	62.5	31.3	62.5	31.3	31.3	31.3	62.5	31.3	62.5	31.3	62.5	62.5	62.5	62.5
	KVA	13.8	14.3	15.1	8.6	16.5	13.1	14.3	14.8	28.5	15.0	28.9	15.1	29.5	29.9	30.2	31.5
Q002DTCF	HV Amps	83.3	83.3	83.3	41.7	83.3	41.7	41.7	41.7	83.3	41.7	83.3	41.7	83.3	83.3	83.3	83.3
	KVA	18.3	19.1	20.2	11.5	22.0	17.4	19.1	19.7	38.1	20.0	38.5	20.2	39.4	39.9	40.3	42.0
Q003DTCF	HV Amps	125	125	125	62.5	125	62.5	62.5	62.5	125	62.5	125	62.5	125	125	125	125
	KVA	27.5	28.6	30.3	17.3	33	26.1	28.6	29.6	57.1	30.0	57.8	30.3	59.1	59.9	60.4	63.0
Q005DTCF	HV Amps	208	208	208	104	208	104	104	104	208	104	208	104	208	208	208	208
	KVA	45.8	47.7	50.4	28.8	55.0	43.5	47.7	49.3	95.2	50.0	96.3	50.4	98.4	99.8	101	105
CONNECTION DIAGRAM		1	1	1	2	1	4	4	4	3	4	3	4	3	3	3	3

SECTION 2



## How to use the Selection Chart

1. From the top row of the "Selection Chart" locate the high and low voltage combination that is closest to the one you require.
2. Determine the quantity you required.
3. The corresponding connection diagram is indicated at the top of the Voltage / kVA column. See page 91-92 for the connection diagrams.
4. Move down that column to the kVA or Ampere rating equal to or greater than the rating required by the load.
5. From the far left column, obtain the transformer catalog number.
6. For dimensional information refer to the specifications table (Group A) on page 89.

## Three Phase - Group A Selection Chart

Catalog Number	Low Voltage		189	198	208	208	220	227	228	232	240	189	199	208	379	416	416
	High Voltage		208	208	218	229	242	250	239	255	264	109	115	120	219	240	240
<b>QUANTITY REQUIRED</b>			2	2	2	2	2	2	2	2	2	3	3	3	3	3	3
<b>CONNECTION DIAGRAM</b> <small>(Refer to Page 91-92)</small>			7	8	8	7	7	7	8	7	7	10	9	10	12	11	12
<b>Three Phase Connection Style</b>			<b>Delta Connected</b>									<b>Wye Connected</b>					
QC05ERCB	HV Amps		2.08	4.17	4.17	2.08	2.08	2.08	4.17	2.08	2.08	4.17	2.08	4.17	2.08	4.17	2.08
	KVA		0.76	1.51	1.58	0.83	0.88	0.91	1.73	0.93	0.96	1.50	0.86	1.65	1.51	3.15	1.65
	LV Amps		2.29	4.38	4.38	2.29	2.29	2.29	4.38	2.29	2.29	4.58	2.50	4.58	2.29	4.38	2.29
QC10ERCB	HV Amps		4.17	8.33	8.33	4.17	4.17	4.17	8.33	4.17	4.17	8.33	4.17	8.33	4.17	8.33	4.17
	KVA		1.51	3.01	3.16	1.66	1.75	1.81	3.46	1.85	1.91	3.00	1.73	3.30	3.01	6.30	3.30
	LV Amps		4.58	8.75	8.75	4.58	4.58	4.58	8.75	4.58	4.58	9.17	5.00	9.17	4.58	8.75	4.58
QC15ERCB	HV Amps		6.25	12.50	12.50	6.25	6.25	6.25	12.50	6.25	6.25	12.5	6.25	12.5	6.25	12.50	6.25
	KVA		2.26	4.51	4.73	2.48	2.62	2.71	5.19	2.77	2.86	4.50	2.59	4.95	4.52	9.45	4.95
	LV Amps		6.88	13.10	13.10	6.88	6.88	6.88	13.10	6.88	6.88	13.8	7.50	13.8	6.88	13.1	6.88
QC20ERCB	HV Amps		8.33	16.70	16.70	8.33	8.33	8.33	16.70	8.33	8.33	16.7	8.33	16.7	8.33	16.70	8.33
	KVA		3.01	6.01	6.31	3.31	3.50	3.61	6.92	3.69	3.82	6.00	3.45	6.60	6.03	12.6	6.60
	LV Amps		9.17	17.50	17.50	9.17	9.17	9.17	17.50	9.17	9.17	18.3	10.0	18.3	9.17	17.5	9.17
QC25ERCB	HV Amps		10.4	20.8	20.8	10.4	10.4	10.4	20.8	10.4	10.4	20.8	10.4	20.8	10.4	20.8	10.4
	KVA		3.76	7.51	7.89	4.13	4.37	4.51	8.64	4.61	4.77	7.50	4.31	8.25	7.53	15.75	8.25
	LV Amps		11.5	21.9	21.9	11.5	11.5	11.5	21.9	11.5	11.5	22.9	12.5	22.9	11.5	21.9	11.5
QC35ERCB	HV Amps		14.6	29.2	29.2	14.6	14.6	14.6	29.2	14.6	14.6	29.2	14.6	29.2	14.6	29.2	14.6
	KVA		5.26	10.50	11.00	5.78	6.12	6.31	12.10	6.45	6.67	10.50	6.04	11.55	10.54	22.05	11.60
	LV Amps		16.0	30.6	30.6	16.0	16.0	16.0	30.6	16.0	16.0	32.1	17.5	32.1	16.0	30.6	16.0
QC50ERCB	HV Amps		20.8	41.7	41.7	20.8	20.8	20.8	41.7	20.8	20.8	41.7	20.8	41.7	20.8	41.7	20.8
	KVA		7.51	15.00	15.80	8.26	8.74	9.02	17.30	9.21	9.53	15.0	8.60	16.5	15.1	31.5	16.5
	LV Amps		22.9	43.8	43.8	22.9	22.9	22.9	43.8	22.9	22.9	45.8	25.0	45.8	22.9	43.8	22.9
QC75ERCB	HV Amps		31.3	62.5	62.5	31.3	31.3	31.3	62.5	31.3	31.3	62.5	31.3	62.5	31.3	62.5	31.3
	KVA		11.3	22.5	23.7	12.4	13.1	13.5	25.9	13.8	14.3	22.5	12.9	24.8	22.6	47.3	24.8
	LV Amps		34.4	65.6	65.6	34.4	34.4	34.4	65.6	34.4	34.4	68.8	37.5	68.8	34.4	65.6	34.4
Q1C0ERCB	HV Amps		41.7	83.3	83.3	41.7	41.7	41.7	83.3	41.7	41.7	83.3	41.7	83.3	41.7	83.3	41.7
	KVA		15.0	30.0	31.5	16.5	17.5	18.0	34.6	18.4	19.1	30.0	17.3	33.0	30.1	63.0	33.0
	LV Amps		45.8	87.5	87.5	45.8	45.8	45.8	87.5	45.8	45.8	91.7	50.0	91.7	45.8	87.5	45.8
Q1C5ERCF	HV Amps		62.5	125.0	125.0	62.5	62.5	62.5	125.0	62.5	62.5	125	62.5	125	62.5	125.0	62.5
	KVA		22.5	45.0	47.3	24.8	26.2	27.0	51.8	27.6	28.6	45.0	25.9	49.5	45.2	94.5	49.5
	LV Amps		68.8	131.0	131.0	68.8	68.8	68.8	131.0	68.8	68.8	138	75.0	138	68.8	131	68.8
Q002ERCF	HV Amps		83.3	167.0	167.0	83.3	83.3	83.3	167.0	83.3	83.3	167	83.3	167	83.3	167.0	83.3
	KVA		30.0	60.0	63.1	33.0	34.9	36.1	69.1	36.8	38.1	60.0	34.5	66.0	60.3	126	66.0
	LV Amps		91.7	175.0	175.0	91.7	91.7	91.7	175.0	91.7	91.7	183	100	183	91.7	175	91.7
Q003ERCF	HV Amps		125	250	250	125	125	125	250	125	125	250	125	250	125	250	125
	KVA		45.0	90.0	94.6	49.5	52.4	54.1	103.7	55.3	57.2	90.0	51.8	99.0	90.4	189	99.0
	LV Amps		138	263	263	138	138	138	263	138	138	275	150	275	138	263	138
Q005ERCF	HV Amps		208	417	417	208	208	208	417	208	208	417	208	417	208	417	208
	KVA		75.0	150.0	157.6	82.6	87.3	90.1	172.8	92.1	95.3	150	86.3	165	151	315	165
	LV Amps		229	438	438	229	229	229	438	229	229	458	250	458	229	438	229



## How to use the Selection Chart

1. From the top row of the "Selection Chart" locate the high and low voltage combination that is closest to the one you require.
2. Determine the quantity you required.
3. The corresponding connection diagram is indicated at the top of the Voltage / kVA column. See page 91-92 for the connection diagrams.
4. Move down that column to the kVA or Ampere rating equal to or greater than the rating required by the load.
5. From the far left column, obtain the transformer catalog number.
6. For dimensional information refer to the specifications table (Group B) on page 89.

## Three Phase - Group B Selection Chart

Catalog Number	Low Voltage		184	195	208	208	225	230	234	234	240	240	184	208	379	416	416
	High Voltage		209	208	222	236	240	245	250	265	272	256	106	240	219	240	240
<b>QUANTITY REQUIRED</b>			2	2	2	2	2	2	2	2	2	2	3	3	3	3	3
<b>CONNECTION DIAGRAM</b> <small>(Refer to Page 91-92)</small>			7	8	8	7	8	8	8	7	7	8	10	10	12	11	12
<b>Three Phase Connection Style</b>			<b>Delta Connected</b>									<b>Wye Connected</b>					
QC05ESCB	HV Amps	KVA	1.56	3.13	3.13	1.56	3.13	3.13	3.13	1.56	1.56	3.13	3.13	1.56	3.13	1.56	
	LV Amps		0.57	1.13	1.21	0.64	1.30	1.33	1.36	0.72	0.74	1.39	1.13	1.28	1.17	2.40	1.28
QC10ESCB	HV Amps	KVA	1.77	3.33	3.33	1.77	3.33	3.33	3.33	1.77	1.77	3.33	3.54	3.54	1.77	3.33	1.77
	LV Amps		3.13	6.25	6.25	3.13	6.25	6.25	6.25	3.13	3.13	6.25	6.25	6.25	3.13	6.25	3.13
QC15ESCB	HV Amps	KVA	1.13	2.26	2.41	1.28	2.60	2.66	2.71	1.44	1.48	2.78	2.25	2.55	2.33	4.80	2.55
	LV Amps		4.69	9.38	9.38	4.69	9.38	9.38	9.38	4.69	4.69	9.38	9.38	9.38	4.69	9.4	4.69
QC20ESCB	HV Amps	KVA	1.70	3.38	3.61	1.92	3.90	3.99	4.06	2.16	2.21	4.16	3.38	3.83	3.50	7.20	3.83
	LV Amps		6.25	12.50	12.50	6.25	12.50	12.50	12.50	6.25	6.25	12.50	12.5	12.5	6.25	12.50	6.25
QC25ESCB	HV Amps	KVA	2.26	4.51	4.81	2.56	5.20	5.32	5.41	2.88	2.94	5.55	4.50	5.10	4.67	9.60	5.10
	LV Amps		7.81	15.60	15.60	7.80	15.60	15.60	15.60	7.81	7.81	15.60	15.6	15.6	7.81	15.6	7.81
QC35ESCB	HV Amps	KVA	2.83	5.63	6.01	3.19	6.50	6.64	6.76	3.59	3.69	6.93	5.63	6.38	5.84	12.0	6.38
	LV Amps		10.9	21.9	21.9	10.9	21.9	21.9	21.9	10.9	10.9	21.9	21.9	21.9	10.9	21.9	10.9
QC50ESCB	HV Amps	KVA	3.96	7.89	8.41	4.47	9.10	9.30	9.46	5.03	5.16	9.70	7.88	8.93	8.17	16.8	8.93
	LV Amps		15.6	31.3	31.3	15.6	31.3	31.3	31.3	15.6	15.6	31.3	31.3	31.3	15.6	31.3	15.6
QC75ESCB	HV Amps	KVA	5.65	11.30	12.00	6.38	13.00	13.30	13.50	7.18	7.37	13.90	11.3	12.8	11.7	24.0	12.8
	LV Amps		23.4	46.9	46.9	23.4	46.9	46.9	46.9	23.4	23.4	46.9	46.9	46.9	23.4	46.9	23.4
Q1C0ESCB	HV Amps	KVA	8.47	16.90	18.00	9.57	19.5	19.9	20.3	10.8	11.1	20.8	16.9	19.1	17.5	36.0	19.1
	LV Amps		31.3	62.5	62.5	31.3	62.5	62.5	62.5	31.3	31.3	62.5	62.5	62.5	31.3	62.5	31.3
Q1C5ESCF	HV Amps	KVA	11.3	22.5	24.0	12.8	26.0	26.6	27.0	14.4	14.7	27.7	22.5	25.5	23.3	48.0	25.5
	LV Amps		46.9	93.8	93.8	46.9	93.8	93.8	93.8	46.9	46.9	93.8	93.8	93.8	46.9	93.8	46.9
Q002ESCF	HV Amps	KVA	16.9	33.8	36.0	19.1	39.0	39.8	40.5	21.5	22.1	41.6	33.8	38.3	35.0	72.0	38.3
	LV Amps		62.5	125.0	125.0	62.5	125.0	125.0	125.0	62.5	62.5	125.0	125	125	62.5	125.0	62.5
Q003ESCF	HV Amps	KVA	70.8	133.3	133.3	70.8	133.3	133.3	133.3	70.8	70.8	133.3	142	142	70.8	133	70.8
	LV Amps		93.75	187.5	187.5	93.75	187.5	187.5	187.5	93.75	93.75	187.5	188	188	93.8	188	93.8
Q005ESCF	HV Amps	KVA	33.9	67.6	72.1	38.3	78.0	79.7	81.1	43.1	44.2	83.1	67.5	76.5	70.0	144	76.5
	LV Amps		156.25	312.5	312.5	156.25	313	312.5	312.5	156.25	156.25	312.5	313	313	156	313	156
Q005ESCF	HV Amps	KVA	56.4	112.6	120.1	63.8	129.9	132.8	135.1	71.8	73.6	138.6	113	128	117	240	128
	LV Amps		177.1	333.3	333.3	177.1	333.3	333.3	333.3	177.1	177.1	333.3	354	354	177	333	177

SECTION 2



## How to use the Selection Chart

1. From the top row of the "Selection Chart" locate the high and low voltage combination that is closest to the one you require.
2. Determine the quantity you required.
3. The corresponding connection diagram is indicated at the top of the Voltage / kVA column. See page 91-92 for the connection diagrams.
4. Move down that column to the kVA or Ampere rating equal to or greater than the rating required by the load.
5. From the far left column, obtain the transformer catalog number.
6. For dimensional information refer to the specifications table (Group C) on page 89.

## Three Phase - Group C Selection Chart

Catalog Number	Low Voltage	173	200	208	362	380	400	419	436	457	480	480	346	379	400	416
	High Voltage	208	240	250	380	418	440	440	480	480	528	504	416	456	480	499
<b>QUANTITY REQUIRED</b>		2	2	2	2	2	2	2	2	2	2	2	3	3	3	3
<b>CONNECTION DIAGRAM</b> <small>(Refer to Page 91-92)</small>		5	5	5	6	7	7	8	7	8	7	8	9	9	9	9
<b>Three Phase Connection Style</b>		<b>Delta Connected</b>											<b>Wye Connected</b>			
<b>QC05DTCB</b>	<b>HV Amps</b>	1.04	1.04	1.04	2.08	1.04	1.04	2.08	1.04	2.08	1.04	2.08	1.04	1.04	1.04	1.04
	<b>KVA</b>	0.38	0.44	0.46	1.44	0.76	0.80	1.67	0.87	1.82	0.96	1.82	0.75	0.82	0.87	0.90
<b>QC10DTCB</b>	<b>HV Amps</b>	2.08	2.08	2.08	4.17	2.08	2.08	4.17	2.08	4.17	2.08	4.17	2.08	2.08	2.08	2.08
	<b>KVA</b>	0.75	0.87	0.91	2.88	1.51	1.59	3.33	1.74	3.63	1.91	3.64	1.50	1.64	1.73	1.80
<b>QC15DTCB</b>	<b>HV Amps</b>	3.13	3.13	3.13	6.25	3.13	3.13	6.25	3.13	6.25	3.13	6.25	3.13	3.13	3.13	3.13
	<b>KVA</b>	1.13	1.30	1.36	4.32	2.27	2.39	4.99	2.60	5.45	2.86	5.46	2.25	2.47	2.60	2.70
<b>QC20DTCB</b>	<b>HV Amps</b>	4.17	4.17	4.17	8.33	4.17	4.17	8.33	4.17	8.33	4.17	8.33	4.17	4.17	4.17	4.17
	<b>KVA</b>	1.50	1.74	1.81	5.75	3.02	3.18	6.66	3.47	7.26	3.82	7.28	3.00	3.29	3.46	3.60
<b>QC25DTCB</b>	<b>HV Amps</b>	5.21	5.21	5.21	10.4	5.21	5.21	10.40	5.21	10.40	5.21	10.40	5.21	5.21	5.21	5.21
	<b>KVA</b>	1.88	2.17	2.26	7.19	3.78	3.97	8.32	4.33	9.07	4.77	9.10	3.75	4.11	4.33	4.50
<b>QC35DTCB</b>	<b>HV Amps</b>	7.29	7.29	7.29	14.6	7.29	7.3	14.6	7.3	14.6	7.29	14.6	7.29	7.29	7.29	7.29
	<b>KVA</b>	2.63	3.04	3.16	10.1	5.28	5.56	11.70	6.06	12.70	6.67	12.70	5.25	5.75	6.06	6.30
<b>QC50DTCB</b>	<b>HV Amps</b>	10.4	10.4	10.4	20.8	10.4	10.4	20.8	10.4	20.8	10.4	20.8	10.4	10.4	10.4	10.4
	<b>KVA</b>	3.75	4.34	4.51	14.4	7.55	7.94	16.60	8.66	18.10	9.53	18.20	7.50	8.22	8.66	9.00
<b>QC75DTCB</b>	<b>HV Amps</b>	15.6	15.6	15.6	31.3	15.6	15.6	31.3	15.6	31.3	15.6	31.3	15.6	15.6	15.6	15.6
	<b>KVA</b>	5.62	6.50	6.76	21.6	11.3	11.9	25.0	13.0	27.2	14.3	27.3	11.3	12.3	13.0	13.5
<b>Q1C0DTCB</b>	<b>HV Amps</b>	20.8	20.8	20.8	41.7	20.8	20.8	41.7	20.8	41.7	20.8	41.7	20.8	20.8	20.8	20.8
	<b>KVA</b>	7.50	8.67	9.01	28.7	15.1	15.9	33.3	17.3	36.3	19.1	36.4	15.0	16.4	17.3	18.0
<b>Q1C5DTCF</b>	<b>HV Amps</b>	31.3	31.3	31.3	62.5	31.3	31.3	62.5	31.3	62.5	31.3	62.5	31.3	31.3	31.3	31.3
	<b>KVA</b>	11.2	13.0	13.5	43.1	22.6	23.8	49.9	26.0	54.4	28.6	54.6	22.5	24.7	26.0	27.0
<b>Q002DTCF</b>	<b>HV Amps</b>	41.7	41.7	41.7	83.3	41.7	41.7	83.3	41.7	83.3	41.7	83.3	41.7	41.7	41.7	41.7
	<b>KVA</b>	15.0	17.3	18.0	57.5	30.2	31.8	66.5	34.6	72.6	38.1	72.8	30.0	32.9	34.6	36.0
<b>Q003DTCF</b>	<b>HV Amps</b>	62.5	62.5	62.5	125	62.5	62.5	125.0	62.5	125.0	62.5	125.0	62.5	62.5	62.5	62.5
	<b>KVA</b>	22.5	26.0	27.0	86.2	45.3	47.6	99.8	51.9	109.0	57.2	109.0	45.0	49.3	51.9	54.0
<b>Q005DTCF</b>	<b>HV Amps</b>	104	104	104	208	104	104	208	104	208	104	208	104	104	104	104
	<b>KVA</b>	37.5	43.3	45.0	144.0	75.4	79.4	166.0	86.5	181.0	95.3	182.0	75.0	82.2	86.6	90.0
	<b>LV Amps</b>	125	125	125	229	115	115	229	115	229	115	219	125	125	125	125





## Single Phase Specification Tables

### Group A

Primary Voltage: 120 X 240

Secondary Voltage: 12 X 24

50/60 Hertz

VA	Catalog Number	Case Style (Page 266)	Approx. Dimensions (Inches)			Approx. Weight (Lbs.)	Mtg Type W - Wall
			Width	Depth	Height		
50	QC05ERCB	NQ0	3.75	5.25	7.25	6	W
100	QC10ERCB	NQ0	3.75	5.25	7.25	7	W
150	QC15ERCB	NQ0	3.75	5.25	7.25	8	W
200	QC20ERCB	NQ1	4.50	5.75	7.25	11	W
250	QC25ERCB	NQ1	4.50	5.75	7.25	13	W
350	QC35ERCB	NQ1	4.50	5.75	7.25	14	W
500	QC50ERCB	NQ2	5.00	4.75	9.25	15	W
750	QC75ERCB	NQ2	5.00	4.75	9.25	18	W
1000	Q1C0ERCB	NQ3	5.88	5.50	10.50	25	W
1500	Q1C5ERCF	NQ4	7.00	6.50	11.75	36	W
2000	Q002ERCF	NQ4	7.00	6.50	11.75	46	W
3000	Q003ERCF	NQ5	10.00	7.75	17.25	65	W
5000	Q005ERCF	NQ5	10.00	7.75	17.25	105	W

### Group B

Primary Voltage: 120 X 240

Secondary Voltage: 16 X 32

50/60 Hertz

VA	Catalog Number	Case Style (Page 266)	Approx. Dimensions (Inches)			Approx. Weight (Lbs.)	Mtg Type W - Wall
			Width	Depth	Height		
50	QC05ESCB	NQ0	3.75	5.25	7.25	6	W
100	QC10ESCB	NQ0	3.75	5.25	7.25	7	W
150	QC15ESCB	NQ0	3.75	5.25	7.25	8	W
200	QC20ESCB	NQ1	4.50	5.75	7.25	11	W
250	QC25ESCB	NQ1	4.50	5.75	7.25	13	W
350	QC35ESCB	NQ1	4.50	5.75	7.25	14	W
500	QC50ESCB	NQ2	5.00	4.75	9.25	15	W
750	QC75ESCB	NQ2	5.00	4.75	9.25	18	W
1000	Q1C0ESCB	NQ3	5.88	5.50	10.50	25	W
1500	Q1C5ESCF	NQ4	7.00	6.50	11.75	36	W
2000	Q002ESCF	NQ4	7.00	6.50	11.75	46	W
3000	Q003ESCF	NQ5	10.00	7.75	17.25	65	W
5000	Q005ESCF	NQ5	10.00	7.75	17.25	105	W

### Group C

Primary Voltage: 240 X 480

Secondary Voltage: 24 X 48

50/60 Hertz

VA	Catalog Number	Case Style (Page 266)	Approx. Dimensions (Inches)			Approx. Weight (Lbs.)	Mtg Type W - Wall
			Width	Depth	Height		
50	QC05DTCB	NQ0	3.75	5.25	7.25	6	W
100	QC10DTCB	NQ0	3.75	5.25	7.25	7	W
150	QC15DTCB	NQ0	3.75	5.25	7.25	8	W
200	QC20DTCB	NQ1	4.50	5.75	7.25	11	W
250	QC25DTCB	NQ1	4.50	5.75	7.25	13	W
350	QC35DTCB	NQ1	4.50	5.75	7.25	14	W
500	QC50DTCB	NQ2	5.00	4.75	9.25	15	W
750	QC75DTCB	NQ2	5.00	4.75	9.25	18	W
1000	Q1C0DTCB	NQ3	5.88	5.50	10.50	25	W
1500	Q1C5DTCF	NQ4	7.00	6.50	11.75	36	W
2000	Q002DTCF	NQ4	7.00	6.50	11.75	46	W
3000	Q003DTCF	NQ5	10.00	7.75	17.25	65	W
5000	Q005DTCF	NQ5	10.00	7.75	17.25	105	W





## Three Phase Specification Tables

### Group A

Primary Voltage: 120 X 240

Secondary Voltage: 12 X 24

50/60 Hertz

VA	Catalog Number	Case Style (Page 266)	Approx. Dimensions (Inches)			Approx. Weight (Lbs.)	Mtg Type W - Wall
			Width	Depth	Height		
50	QC05ERCB	NQ0	3.75	5.25	7.25	6	W
100	QC10ERCB	NQ0	3.75	5.25	7.25	7	W
150	QC15ERCB	NQ0	3.75	5.25	7.25	8	W
200	QC20ERCB	NQ1	4.50	5.75	7.25	11	W
250	QC25ERCB	NQ1	4.50	5.75	7.25	13	W
350	QC35ERCB	NQ1	4.50	5.75	7.25	14	W
500	QC50ERCB	NQ2	5.00	4.75	9.25	15	W
750	QC75ERCB	NQ2	5.00	4.75	9.25	18	W
1000	Q1C0ERCB	NQ3	5.88	5.50	10.50	25	W
1500	Q1C5ERCF	NQ4	7.00	6.50	11.75	36	W
2000	Q002ERCF	NQ4	7.00	6.50	11.75	46	W
3000	Q003ERCF	NQ5	10.00	7.75	17.25	65	W
5000	Q005ERCF	NQ5	10.00	7.75	17.25	105	W

### Group B

Primary Voltage: 120 X 240

Secondary Voltage: 16 X 32

50/60 Hertz

VA	Catalog Number	Case Style (Page 266)	Approx. Dimensions (Inches)			Approx. Weight (Lbs.)	Mtg Type W - Wall
			Width	Depth	Height		
50	QC05ESCB	NQ0	3.75	5.25	7.25	6	W
100	QC10ESCB	NQ0	3.75	5.25	7.25	7	W
150	QC15ESCB	NQ0	3.75	5.25	7.25	8	W
200	QC20ESCB	NQ1	4.50	5.75	7.25	11	W
250	QC25ESCB	NQ1	4.50	5.75	7.25	13	W
350	QC35ESCB	NQ1	4.50	5.75	7.25	14	W
500	QC50ESCB	NQ2	5.00	4.75	9.25	15	W
750	QC75ESCB	NQ2	5.00	4.75	9.25	18	W
1000	Q1C0ESCB	NQ3	5.88	5.50	10.50	25	W
1500	Q1C5ESCF	NQ4	7.00	6.50	11.75	36	W
2000	Q002ESCF	NQ4	7.00	6.50	11.75	46	W
3000	Q003ESCF	NQ5	10.00	7.75	17.25	65	W
5000	Q005ESCF	NQ5	10.00	7.75	17.25	105	W

### Group C

Primary Voltage: 240 X 480

Secondary Voltage: 24 X 48

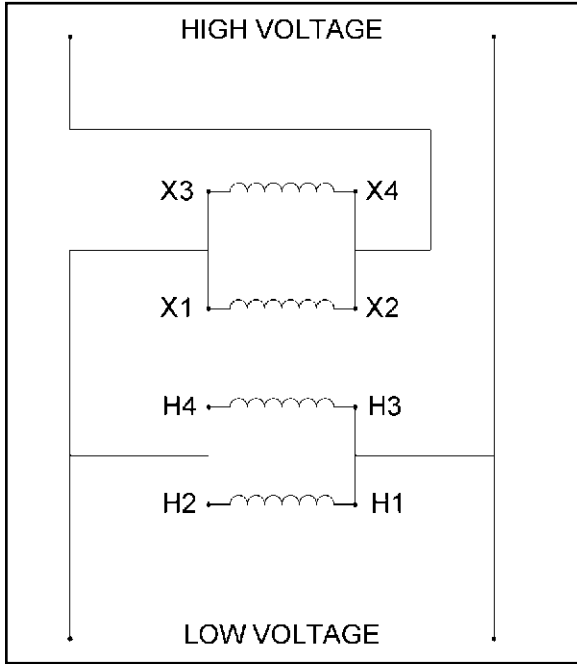
50/60 Hertz

VA	Catalog Number	Case Style (Page 266)	Approx. Dimensions (Inches)			Approx. Weight (Lbs.)	Mtg Type W - Wall
			Width	Depth	Height		
50	QC05DTCB	NQ0	3.75	5.25	7.25	6	W
100	QC10DTCB	NQ0	3.75	5.25	7.25	7	W
150	QC15DTCB	NQ0	3.75	5.25	7.25	8	W
200	QC20DTCB	NQ1	4.50	5.75	7.25	11	W
250	QC25DTCB	NQ1	4.50	5.75	7.25	13	W
350	QC35DTCB	NQ1	4.50	5.75	7.25	14	W
500	QC50DTCB	NQ2	5.00	4.75	9.25	15	W
750	QC75DTCB	NQ2	5.00	4.75	9.25	18	W
1000	Q1C0DTCB	NQ3	5.88	5.50	10.50	25	W
1500	Q1C5DTCF	NQ4	7.00	6.50	11.75	36	W
2000	Q002DTCF	NQ4	7.00	6.50	11.75	46	W
3000	Q003DTCF	NQ5	10.00	7.75	17.25	65	W
5000	Q005DTCF	NQ5	10.00	7.75	17.25	105	W

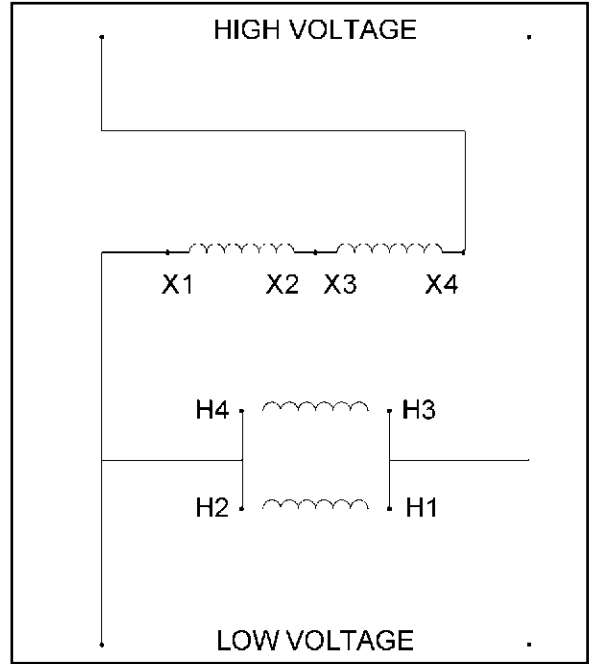


## Single Phase Connection Diagrams

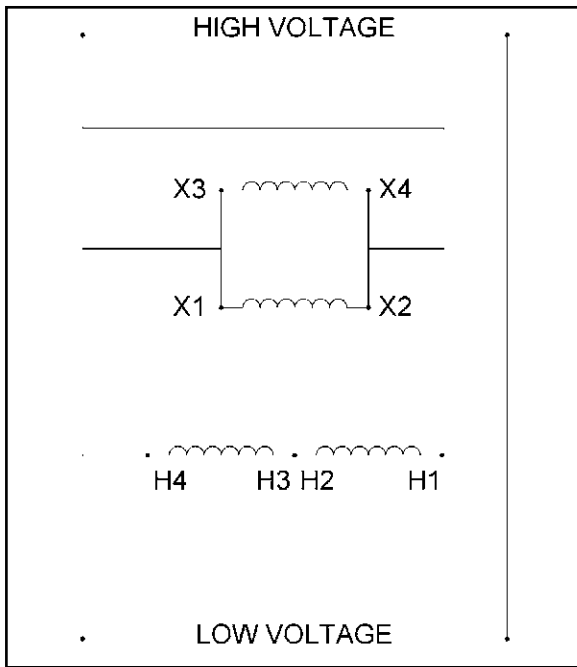
SECTION 2



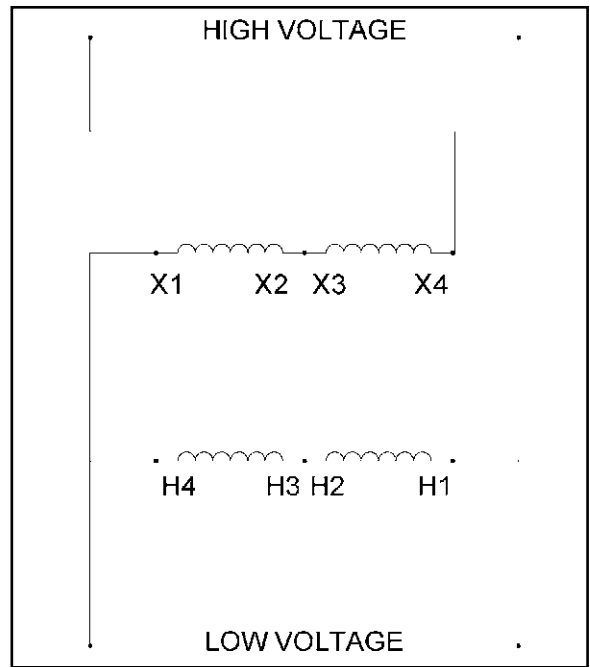
**Connection Diagram #1**



**Connection Diagram #2**

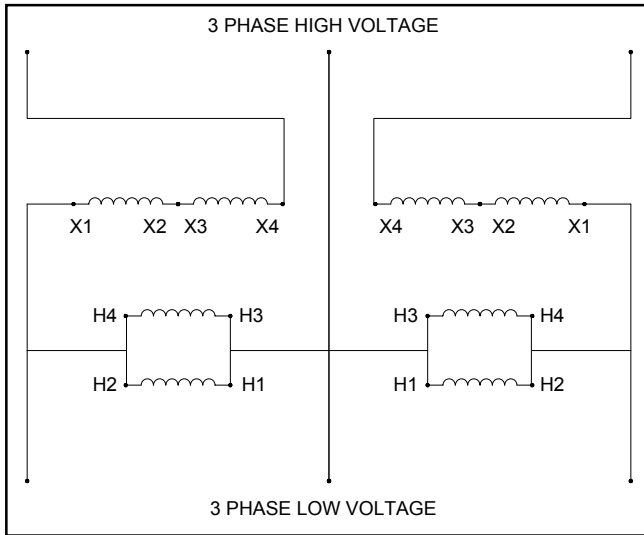


**Connection Diagram #3**

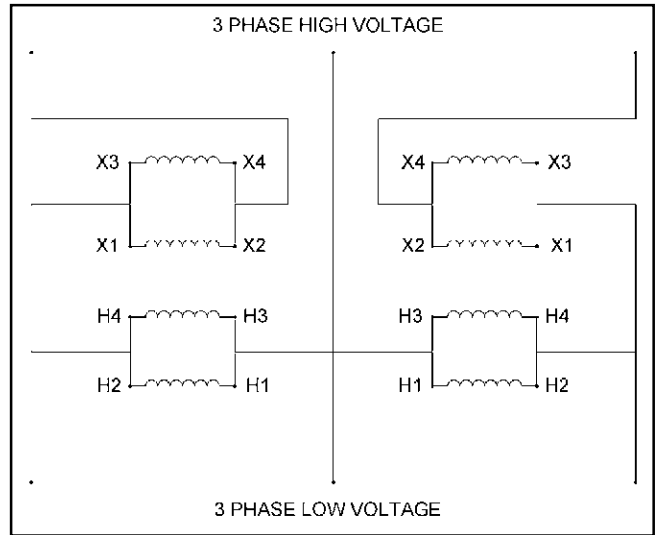


**Connection Diagram #4**

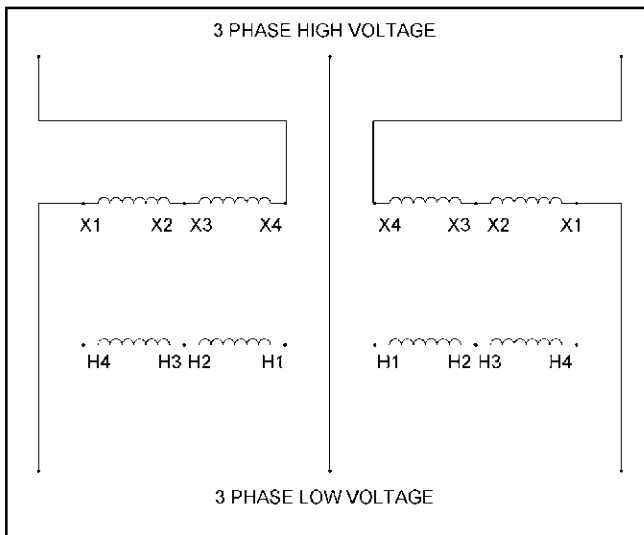
## Three Phase Connection Diagrams



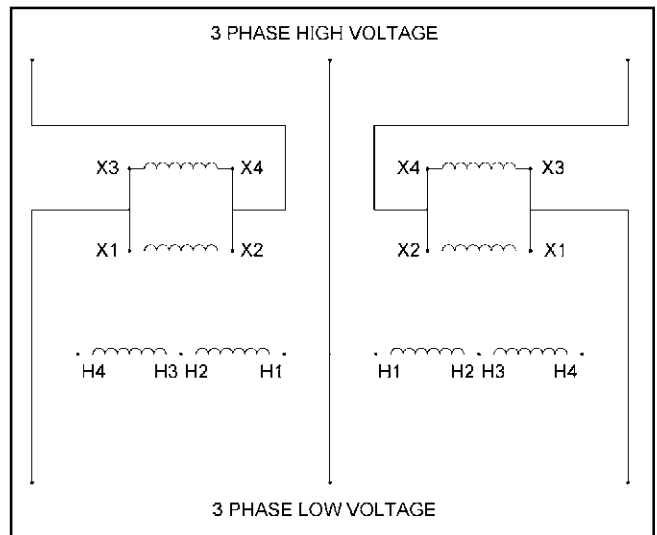
**Connection Diagram #5**



**Connection Diagram #6**



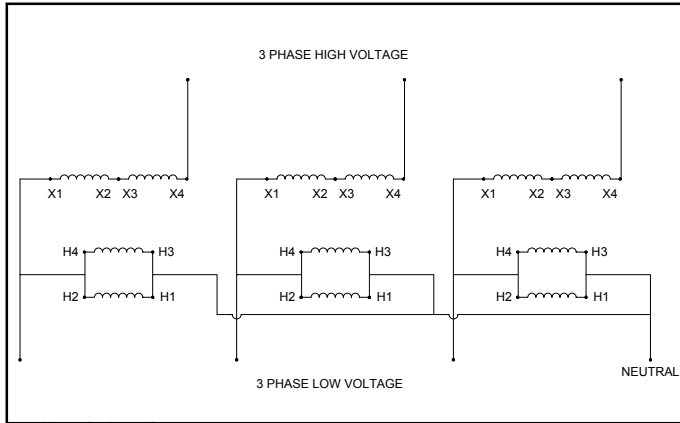
**Connection Diagram #7**



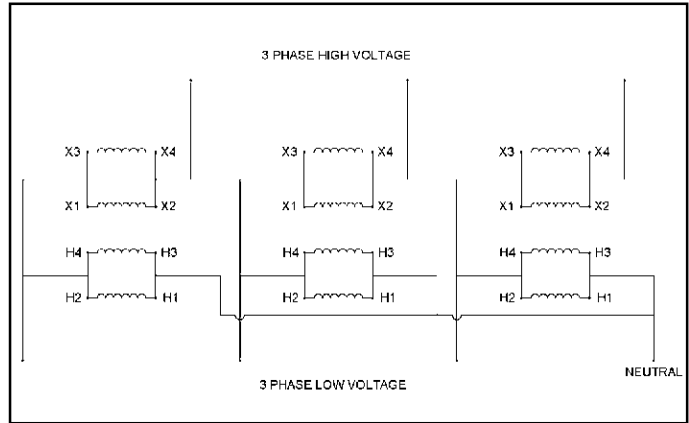
**Connection Diagram #8**



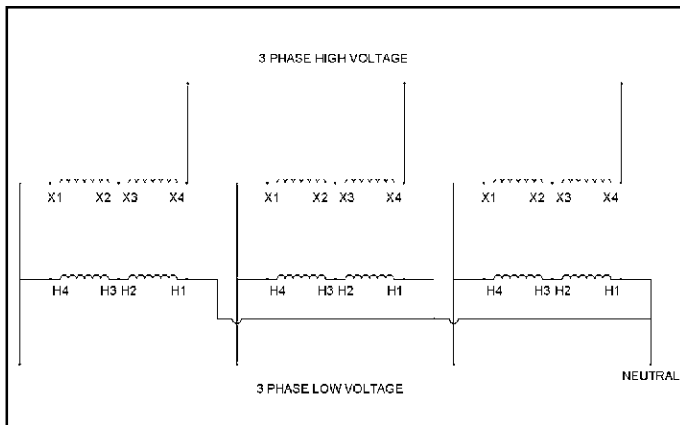
## Three Phase Connection Diagrams



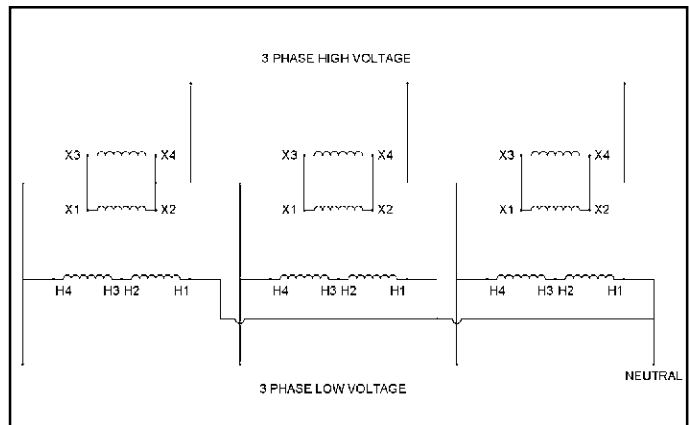
Connection Diagram #9



Connection Diagram #10



Connection Diagram #11



Connection Diagram #12

SECTION 2

## Buck-Boost Transformers - Questions & Answers

### 1. What is a buck-boost transformer?

Buck-boost transformers are small single phase transformers designed to lower (buck) or raise (boost) line voltage from 5-20%. The most common applications for buck-boost transformers include boosting 208 volts to 230 or 240 volts for air conditioning systems, boosting 110 to 120 volts and 240 to 277 volts for lighting applications, heating systems and induction motors of all types. Many applications exist where supply voltages are frequently above or below nominal.

Buck-boost transformers are conventional low voltage, single phase distribution transformers, with standard primary voltages of 120, 240 or 480 volts, and secondary voltages of 12, 16, 24, 32 or 48 volts. They are available in sizes ranging from 50 VA to 10,000 VA. The primary and secondary are wired together to form a single-winding autotransformer. Utilizing the additive and subtractive polarity, small amounts of voltage are either added or subtracted from a distribution circuit.

### 2. How does a buck-boost transformer differ from an isolating transformer?

A buck-boost transformer is manufactured as an isolating transformer, with separable primary and secondary, and is shipped from the factory in that configuration. When the end user at site connects it, the primary is connected to the secondary changing the transformer's electrical characteristics to those of an autotransformer. This provides the smaller voltage correction that is typical of buck-boost. The primary and secondary windings are no longer isolated as they are connected together.

### 3. What is the difference between a buck-boost transformer and an autotransformer?

As noted above, when the primary and secondary are connected together to buck or boost voltage, the transformer becomes an autotransformer. If the connection between the primary and secondary winding is not made, then the unit remains as an isolation transformer.

## Applications

### 4. Why are they used?

A buck-boost transformer is a simple and effective way of correcting off-standard voltages. Electrical and electronic equipment is designed to operate within a standard tolerance of nominal supply voltages. When the supply voltage is consistently too high or low - typically more than 10%, the equipment will operate below peak efficiency.

### 5. Can buck-boost transformers be used to power low voltage circuits?

Installed as two-winding, isolation transformers, these units can be used to power low voltage circuits including control, lighting circuits, or other low voltage applications that require 12, 16, 24, 32 or 48 volts output, consistent with the secondary of these designs. The unit is connected as an isolating transformer and the nameplate kVA rating is the transformer's capacity.

## Operation and Construction

### 6. Why do buck-boost transformers have 4 windings?

A four winding buck-boost transformer with 2 primary and 2 secondary windings can be connected eight different ways to provide a multitude of voltages and KVA's. This provides the flexibility necessary for the broad variety of applications. A two-winding transformer can only be connected in two different ways.

### 7. Will a Buck-Boost transformer stabilize voltage?

Buck-boost transformers will not stabilize supply line voltage. The output voltage of a buck-boost is a function of the input voltage. If the input voltage varies, then the output voltage will also vary by the same percentage.

## Load Data

### 8. Are there any restrictions on the type of load that can be operated from a Buck-Boost transformer?

There are no restrictions as to application for Buck-Boost, including single or three-phase motor loads.

**9. As an Autotransformer, how can a Buck-Boost transformer supply kVA power?**

This is a function of adding voltage - a small amount of voltage is added and a small amount of corresponding power capacity is added as well. For example, if the transformer is connected in such a way that 22 volts is added to a 208 volt primary, a 230 volt output will result.

Using this example, the calculation for autotransformer kVA is as follows:

$$\text{kVA} = \frac{\text{Output Volts} \times \text{Secondary Amps}}{1000}$$

$$\text{kVA} = \frac{230\text{V} \times 41.67 \text{ Amps}}{1000} = 9.58 \text{ KVA}$$

**10. How are single phase and three phase load amps and load kVA calculated?**

$$\text{Single phase Amps} = \frac{\text{kVA} \times 1000}{\text{Volts}}$$

$$\text{Three phase Amps} = \frac{\text{kVA} \times 1000}{\text{Volts} \times 1.73}$$

$$\text{Single phase kVA} = \frac{\text{Volts} \times \text{Amps}}{1000}$$

$$\text{Three phase kVA} = \frac{\text{Volts} \times \text{Amps} \times 1.73}{1000}$$

**Three Phase****11. Can Buck-Boost transformers be used on three phase systems?**

Interconnecting two or three single phase units will readily accommodate three phase systems - refer to the corresponding three phase section in this catalog. The number of units to be used in a three phase installation depends on the number of wires in the supply line. If the three phase supply is 4-wire wye, then three buck-boost transformers are required. If the three phase supply is 3-wire wye (neutral not available), two buck-boost transformers are needed.

**12. Should Buck-Boost transformers be used to develop three phase 4 wire wye circuits from three phase 3 wire delta circuits?**

No - a three-phase "wye" buck-boost transformer connection should be used only on a 4-wire source of supply. A delta to wye connection does not provide adequate current capacity to accommodate unbalanced currents flowing in the neutral wire of the 4-wire circuit.

**13. Why isn't a 'closed delta' Buck-Boost connection recommended?**

This connection requires more kVA power than a "wye" or open delta connection and phase shifting occurs on the output. The closed delta connection is more expensive and electrically inferior to other three phase connections.

**Connection and Frequency****14. How do you know how to connect a Buck-Boost transformer?**

A connection chart is provided with each unit that shows how to make the corresponding connections. These same charts are also shown in this section.

**15. Can 60 Hertz Buck-Boost transformers be operated on 50 Hertz?**

Due to 'saturation' of the core, 60 Hertz buck-boost transformers should only be operated at 60 Hertz, and not 50 Hertz. Units manufactured as 50 Hertz units will however, operate at 60 Hertz.

**Nameplate Data****17. Why are buck-boost transformers shipped from the factory connected as isolating transformers, and not pre-connected autotransformers?**

The same 4-winding buck-boost transformer can be connected eight different ways to provide a multitude of voltage combinations. The correct connection can best be determined by the user when assessing the supply voltage at site.

**18. Why is the isolation transformer kVA rating shown on the nameplate instead of the autotransformer kVA rating?**

Shipped as an isolating transformer, the nameplate is required to show the performance characteristics accordingly. Additionally, as an autotransformer, the eight different combinations of voltages and kVA's would be impractical to list on the nameplate. A connection chart, listing the various connections, is included with each unit.

## Sound Levels

### 19. How does the sound level differ between Buck-Boost and isolation transformers?

Buck-boost transformers, connected as autotransformers, will be quieter than an equivalent isolation transformer capable of handling the same load. The isolation transformer would have to be physically larger than the buck-boost transformer, and smaller transformers are quieter than larger ones. For example, a 10 kVA is 35 dba and a 75 kVA is 50 dba.

## Cost and Life Expectancy

### 20. How does the costs compare between a Buck-Boost transformer and an Isolation transformer handling the same load?

For most buck-boost applications, the savings are about 75% compared to the use of an isolation transformer for the same application.

### 21. What is the life expectancy of a Buck-Boost transformer?

Buck-boost transformers have exactly the same life expectancy as other dry-type transformers.

### 22. Buck-Boost transformers are almost always installed as autotransformers. Does the National Electrical Code (NEC) permit the use of autotransformers?

Autotransformers are very common and recognized by all the safety and standard authorities. You can refer to N.E.C. Article 450-4, "Autotransformers 600 Volts, Nominal, or Less", as a reference publication. Item (a) details overcurrent protection for an autotransformer and item (b) covers an isolation transformer being field connected as an autotransformer for a buck-boost application.

### 23. When a Buck-Boost transformer is connected as an autotransformer, what is the procedure for determining the current rating of the overcurrent protective device, such as the fuse or circuit breaker?

The NEC Article 450-4 outlines overcurrent protection for autotransformers. It is reproduced as follows:  
"NEC 450-4 - Autotransformers 600 Volts, Nominal, or Less

**(a)** Overcurrent Protection. Each autotransformer 600 volts, nominal, or less shall be protected by an individual overcurrent device installed in series with each ungrounded input conductor. Such overcurrent device shall be rated or set at not more than 125 percent of the rated full load input current of the autotransformer. An overcurrent device shall not be installed in series with the shunt winding.

Exception: Where the rated input current of an autotransformer is 9 amperes or more and 125 percent of this current does not correspond to a standard rating of a fuse or non-adjustable circuit breaker; the next higher standard rating described in our section shall be permitted. When the rated input current is less than 9 amperes, an overcurrent device rated or set at not more than 167 percent of the input current shall be permitted.

**(b)** Transformer Field-Connected as an autotransformer. A transformer field-connected as autotransformers shall be identified for use at "elevated voltage".

Example: A 1 kVA transformer, Catalog No. Q1C0ERCB, is rated 120 x 240 to 12 x 24 volts. It is to be connected as an autotransformer to raise 208 to 230 volts single phase. When connected as an autotransformer in this application, the kVA rating is increased to 9.58 kVA, or 9,580 VA. This is the rating to be used for determining the full load input amps and the corresponding size of the overcurrent protection device, either a fuse or breaker.

$$\text{Full load input amps} = 9,580 \text{ Volt Amps} = 46 \text{ Amp}, 208 \text{ Volts}$$

When the full load current is greater than 9 amps, the overcurrent protection device - usually a fuse or non-adjustable breaker, the current rating can be up to 125 percent of the full load rating of the autotransformer input current.

$$\text{Max. current rating of the overcurrent device} = 46 \text{ amps} \times 125\% = 57.5 \text{ amps}$$

The National Electrical Code, Article 450-4 (a) Exception, permits the use of the next higher standard ampere rating of the overcurrent device. This is shown in Article 240-6 of the N.E.C.

$$\text{Max. size of the fuse or circuit breaker} = 60 \text{ amps}$$







## SECTION 3

### HPS CENTURION R<sup>®</sup> REACTORS, RM SERIES REACTORS, AND RC DV/DT FILTERS

#### **Single and Three Phase**

Why Choose a Line Reactor? .....	98
Construction Features .....	100
<b><u>HPS Centurion R Reactors</u></b>	
Specifications .....	101
Part Number Guide.....	102
Selection Tables .....	102
Core & Coil Specification Table .....	104
Enclosed Specification Table .....	108
Connection Diagrams .....	122
Termination Details .....	123
Core & Coil Reference Drawings .....	124
<b><u>RM Series Reactor</u></b>	
Specifications .....	112
Part Number Guide .....	113
Selection Tables .....	114
Core & Coil Specification Tables .....	115
Enclosed Specification Tables .....	117
Connection Diagrams .....	122
Termination Details .....	123
Core & Coil Reference Drawings .....	125
<b><u>RC DV/DT Filter</u></b>	
Applications .....	119
Specifications .....	120
Selection Table .....	121
Core & Coil Reference Drawings .....	126

# Why Choose A Reactor?

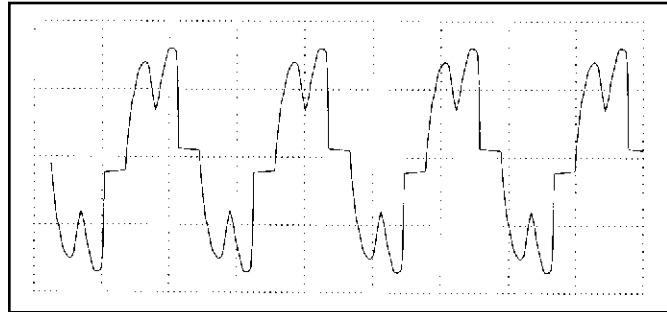
HPS reactors are designed to address issues associated with variable frequency drives.

- Attenuate voltage and current transients to reduce voltage notching
- Improve True Power Factor
- Mitigate drive nuisance tripping
- Minimize harmonic current
- On output, reduce the motor temperature & audible noise
- Enhance the overall performance, life expectancy, and system efficiency
- Mitigate motor bearing failures

## MINIMIZE HARMONIC DISTORTION

Non-linear current waveforms contain harmonic distortion. By using an HPS reactor you can limit the inrush current to the rectifier in your drive. The peak current is reduced, the waveform is rounded and harmonic distortion is minimized. Current distortion typically is reduced to 30%.

Severe harmonic current distortion can also cause the system voltage to distort. Often, high peak harmonic current drawn by the drive, causes "flat-topping" of the voltage waveform. Adding a reactor controls the current component, and voltage harmonic distortion is therefore reduced.



**The total harmonic distortion of variable speed drives produces complex wave shapes such as the phase current shown above. The challenge for today's designers is to effectively minimize these line problems.**

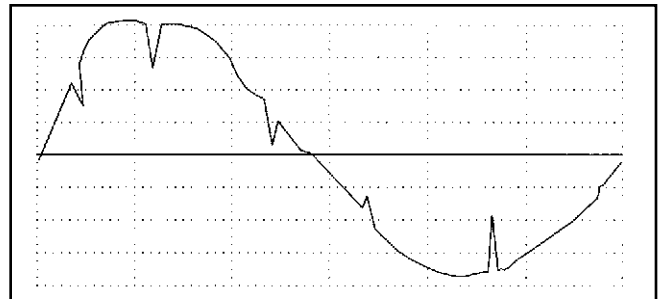
## SHORT CIRCUIT CAPABILITY

HPS reactors can withstand current under short circuit conditions, reducing the potential of severe damage to electronic equipment. In a short circuit, the inductance of the coil is necessary to limit overcurrent after the core has saturated. HPS has extensive experience in designing and testing dry-type transformers to withstand short circuits for the most demanding applications, and this experience has been applied to line reactor design.

## REDUCE LINE NOTCHING

Whenever AC power is converted to DC by a rectifier using a non-linear device, such as an SCR, the process of commutation occurs. The result is a notch in the voltage waveform. The number of notches is a function of both the number of pulses and the number of SCR's in the rectifier.

Reactors are used to provide the inductive reactance needed to reduce notching, which can adversely effect equipment operation.



**A voltage waveform illustrating line notching. Reactors are used to provide the inductive reactance needed to reduce such notches.**

## Why Choose A Reactor continued...

### IMPEDANCE RATINGS

**Definition:**

$$\% Z = \frac{(VD \times 100)}{V_S} \times \sqrt{3}$$

Z = IMPEDANCE (three phase)

V<sub>D</sub> = VOLTAGE DROP ACROSS REACTOR

V<sub>S</sub> = VOLTAGE SUPPLY FOR RATED CURRENT TO FLOW THROUGH REACTOR

### SELECTION - 3% OR 5% IMPEDANCE REACTOR

Choose 3% impedance reactors to satisfy most solid state applications in North America. Reactors rated for 3% impedance are ideal for absorbing normal line spikes and motor current surges, and will prevent most nuisance line tripping of circuit protection devices or equipment.

Where considerably higher line disturbances are present, a 5% impedance reactor may be required. Additionally, if the application is overseas, or when it is necessary to comply to IEEE 519, the higher impedance reactor is recommended. As part of an overall solutions, these units may also be selected to further reduce harmonic current and frequencies if desirable or to both extend motor life and diminish motor noise.

### LINE REACTORS OR DRIVE ISOLATION TRANSFORMERS?

When true line isolation is required, such as limiting short circuit current, or where it is necessary to step up or step down voltage, use a drive isolation transformer. HPS carries an extensive line of drive isolation transformers in stock. Refer to Section 4 for information on Drive Isolation transformers.

### HARMONIC WITHSTAND:

HPS reactors are designed to withstand typical harmonics associated with both the input and output side of AC variable speed drives including IGBT type inverter drives. For additional information, contact our sales office.





# Reactor Construction Features

## CORE

The quality and performance of a reactor is fundamentally dependant on its ability to withstand harmonics and transients in what is clearly a difficult environment. The bonding and clamping techniques of the gapped core also significantly impacts its performance characteristics.

HPS has paid particular attention to these basics to ensure both reliable and consistent performance.

Core materials, manufacturing and assembly processes have been carefully evaluated to produce optimum losses and sound levels necessary for this product.

## COILS

Conductors are precision wound for optimum short circuit withstandability and electrical balance are used throughout the reactor lines. Choice of conductors, winding techniques and cooling ducts are precisely selected to assure the highest continuous, reliable performance.

## INSULATION SYSTEM

HPS Reactors are designed to meet the most difficult temperature environments.

For further information on temperature rises, please consult our sales offices.

## SPECIALS

For special applications or for any features that you may require beyond the standard line listed, please contact our sales offices.

## VPI IMPREGNATION

Every reactor is fully VPI vacuum and pressure processed with VT (vinyl-toluene) Polyester Resin. This modern, vinyl-toluene based resin with its thicker build, offers significant benefits for electrical, mechanical and thermal properties. This impregnation process and material results in a much improved dielectric constant, dissipation factor, bonding strength and dielectric breakdown (volts per mil) than any other impregnation material including the more traditional oil modified epoxies and varnishes.

Vacuum impregnation is considered vital for the integrity of electrical equipment located in such sensitive locations. The core and coil assembly is finished with a clear resin.



## TERMINATIONS

Custom connections are provided for in several ways. Finger-proof-terminal blocks are provided on select model ranges, and terminal pads are supplied on higher current ratings. Refer to the dimensional summary for details. All connections are brazed to ensure electrical integrity.

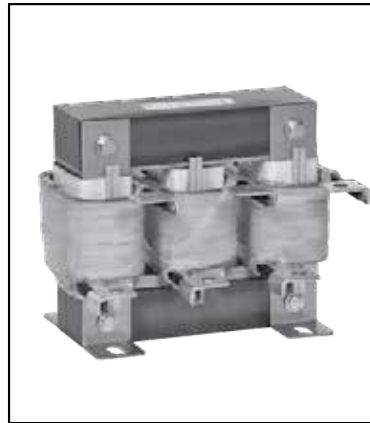
## INPUT AND OUTPUT SIDE REACTORS

HPS Reactors are designed for both the input and output side of variable speed drives including Insulated Gate Bipolar Transistor (IGBT) type inverters.



## HPS Centurion® R REACTORS

### SINGLE AND THREE PHASE STANDARD SPECIFICATIONS



	Core and Coil	Enclosed
<b>UL Listed</b>	File: E61431 up to 600 V	File: E61431 up to 600 V
<b>CSA Certified</b>	File: LR3902	File: LR3902
<b>Ratings</b>	Nominal inductance +15% - 10% @ rated current. 95% of nominal inductance @ 110% rated current. 80% of nominal inductance @ 150% rated current. 50% of nominal inductance @ 200% of rated current.	Nominal inductance +15% - 10% @ rated current. 95% of nominal inductance @ 110% rated current. 80% of nominal inductance @ 150% rated current. 50% of nominal inductance @ 200% of rated current.
<b>Frequency</b>	50/60 Hz	50/60 Hz
<b>Insulation System</b>	70°C rise over average 50°C ambient for 130°C temperature insulation class up to 40 Amps 115°C rise over average 50°C ambient for 180°C and 220°C temperature insulation class on units larger than 40 Amps.	70°C rise over average 50°C ambient for 130°C temperature insulation class up to 40 Amps 115°C rise over average 50°C ambient for 180°C and 220°C temperature insulation class on units larger than 40 Amps.
<b>Enclosure Type</b>	Type 1 enclosure kit with hardware as option	Type 1 (optional Type 3R available)
<b>Enclosure Finish</b>		ANSI 61 Grey, UL50
<b>Termination</b>	Terminal blocks are provided on select model ranges, and terminal pads are supplied on higher current ratings.	Terminal blocks are provided on select model ranges, and terminal pads are supplied on higher current ratings.
<b>Impedance</b>	Typically 1.5%, 3% and 5%	Typically 1.5%, 3% and 5%
<b>Mounting</b>	Floor mounting available on all units. Wall and ceiling mounting available on units up to 200 lbs.	Floor mounting available on all units. Wall and ceiling mounting available on enclosure style N1, N2, CH2 and CH4 only.
<b>Sound Level</b>	Meets NEMA ST-20 standards	Meets NEMA ST-20 standards

# HPS Centurion R Reactor Selection Tables

## HPS Centurion R Part Number Guide



**Open or Enclosed**  
C for Core & Coil  
E for Enclosed

**Relative Impedance**

**Rated Current**  
D for Decimal  
i.e. 02D4 is 2.4

**Product Line**

## Single Phase Reactor Selection Tables

HP Rating	120 Volt - 60Hz					
	3% Impedance			5% Impedance		
	Amps	Core & Coil P/N	Enclosed P/N	Amps	Core & Coil P/N	Enclosed P/N
0.25	2.08	CRX03D5BC	CRX03D5BE	2.08	CRX03D5CC	CRX03D5CE
0.5	4.16	CRX07D5AC	CRX07D5AE	4.16	CRX06D6CC	CRX06D6CE
0.75	6.25	CRX10D7BC	CRX10D7BE	6.25	CRX0017AC	CRX0017AE
1	8.33	CRX0024CC	CRX0024CE	8.33	CRX0022AC	CRX0022AE
1.5	12.5	CRX0024CC	CRX0024CE	12.5	CRX16D7DC	CRX16D7DE
2	16.7	CRX0024AC	CRX0024AE	16.7	CRX16D7BC	CRX16D7BE
3	25	CRX0031AC	CRX0031AE	25	CRX0024AC	CRX0024AE
5	41.6	CRX0059AC	CRX0059AE	41.6	CRX0059CC	CRX0059CE
7.5	62.5	CRX0075AC	CRX0075AE	62.5	CRX0059AC	CRX0059AE
10	83.3	CRX0114AC	CRX0114AE	83.3	CRX0088AC	CRX0088AE

HP Rating	240 Volt - 60Hz					
	3% Impedance			5% Impedance		
	Amps	Core & Coil P/N	Enclosed P/N	Amps	Core & Coil P/N	Enclosed P/N
0.25	1.04	CRX02D1AC	CRX02D1AE	1.04	CRX0002CC	CRX0002CE
0.5	2.08	CRX02D4DC	CRX02D4DE	2.08	CRX02D7AC	CRX02D7AE
0.75	3.13	CRX03D5BC	CRX03D5BE	3.13	CRX02D4DC	CRX02D4DE
1	4.17	CRX0011CC	CRX0011CE	4.17	CRX04D8AC	CRX04D8AE
1.5	6.25	CRX06D6CC	CRX06D6CE	6.25	CRX0011CC	CRX0011CE
2	8.33	CRX10D7DC	CRX10D7DE	8.33	CRX0011AC	CRX0011AE
3	12.5	CRX10D7BC	CRX10D7BE	12.5	CRX0017AC	CRX0017AE
5	20.8	CRX0024CC	CRX0024CE	20.8	CRX0021AC	CRX0021AE
7.5	31.2	CRX0052BC	CRX0052BE	31.2	CRX0034AC	CRX0034AE
10	41.6	CRX0059CC	CRX0059CE	41.6	CRX0052AC	CRX0052AE

## Three Phase Reactor Selection Tables

HP Rating	208 Volt - 60Hz					
	3% Impedance			5% Impedance		
	Amps	Core & Coil P/N	Enclosed P/N	Amps	Core & Coil P/N	Enclosed P/N
0.5	2.4	CRX02D4BC	CRX02D4BE	2.4	CRX02D4DC	CRX02D4DE
0.75	3.5	CRX03D5AC	CRX03D5AE	3.5	CRX03D5DC	CRX03D5DE
1	4.6	CRX04D6BC	CRX04D6BE	4.6	CRX04D6CC	CRX04D6CE
1.5	6.6	CRX06D6BC	CRX06D6BE	6.6	CRX06D6CC	CRX06D6CE
2	7.5	CRX07D5AC	CRX07D5AE	7.5	CRX07D5DC	CRX07D5DE
3	10.7	CRX10D7BC	CRX10D7BE	10.7	CRX10D7DC	CRX10D7DE
5	16.7	CRX16D7BC	CRX16D7BE	16.7	CRX16D7DC	CRX16D7DE
7.5	24	CRX0024AC	CRX0024AE	24	CRX0024CC	CRX0024CE
10	31	CRX0031BC	CRX0031BE	31	CRX0031CC	CRX0031CE
15	46	CRX0046BC	CRX0046BE	46	CRX0046CC	CRX0046CE
20	59	CRX0059AC	CRX0059AE	59	CRX0059CC	CRX0059CE
25	75	CRX0075AC	CRX0075AE	75	CRX0075CC	CRX0075CE
30	88	CRX0088BC	CRX0088BE	88	CRX0088CC	CRX0088CE
40	114	CRX0114AC	CRX0114AE	114	CRX0114CC	CRX0114CE
50	143	CRX0143AC	CRX0143AE	143	CRX0143DC	CRX0143DE
60	170	CRX0170BC	CRX0170BE	170	CRX0170DC	CRX0170DE
75	211	CRX0211BC	CRX0211BE	211	CRX0211CC	CRX0211CE
100	273	CRX0273BC	CRX0273BE	273	CRX0273CC	CRX0273CE
125	343	CRX0343BC	CRX0343BE	343	CRX0343CC	CRX0343CE
150	396	CRX0396BC	CRX0396BE	396	CRX0396DC	CRX0396DE
200	528	CRX0528BC	CRX0528BE	528	CRX0528CC	CRX0528CE

HP Rating	240 Volt - 60Hz					
	3% Impedance			5% Impedance		
	Amps	Core & Coil P/N	Enclosed P/N	Amps	Core & Coil P/N	Enclosed P/N
0.5	2.4	CRX02D4AC	CRX02D4AE	2.4	CRX02D4CC	CRX02D4CE
0.75	3.5	CRX03D5BC	CRX03D5BE	3.5	CRX03D5CC	CRX03D5CE
1	4.6	CRX04D6AC	CRX04D6AE	4.6	CRX04D6DC	CRX04D6DE
1.5	6.6	CRX06D6AC	CRX06D6AE	6.6	CRX06D6DC	CRX06D6DE
2	7.5	CRX07D5BC	CRX07D5BE	7.5	CRX07D5CC	CRX07D5CE
3	10.7	CRX10D7AC	CRX10D7AE	10.7	CRX10D7CC	CRX10D7CE
5	16.7	CRX16D7AC	CRX16D7AE	16.7	CRX16D7CC	CRX16D7CE
7.5	24	CRX0024BC	CRX0024BE	24	CRX0024DC	CRX0024DE
10	31	CRX0031AC	CRX0031AE	31	CRX0031DC	CRX0031DE
15	46	CRX0046AC	CRX0046AE	46	CRX0046DC	CRX0046DE
20	59	CRX0059BC	CRX0059BE	59	CRX0059DC	CRX0059DE
25	75	CRX0075BC	CRX0075BE	75	CRX0075DC	CRX0075DE
30	88	CRX0088AC	CRX0088AE	88	CRX0088DC	CRX0088DE
40	114	CRX0114BC	CRX0114BE	114	CRX0114DC	CRX0114DE
50	143	CRX0143BC	CRX0143BE	143	CRX0143CC	CRX0143CE
60	170	CRX0170AC	CRX0170AE	170	CRX0170CC	CRX0170CE
75	211	CRX0211AC	CRX0211AE	211	CRX0211DC	CRX0211DE
100	273	CRX0273AC	CRX0273AE	273	CRX0273DC	CRX0273DE
125	343	CRX0343AC	CRX0343AE	343	CRX0343DC	CRX0343DE
150	396	CRX0396AC	CRX0396AE	396	CRX0396CC	CRX0396CE
200	528	CRX0528AC	CRX0528AE	528	CRX0528DC	CRX0528DE



HP Rating	480 Volt - 60Hz								
	1.5% Impedance			3% Impedance			5% Impedance		
	Amps	Core & Coil P/N	Enclosed P/N	Amps	Core & Coil P/N	Enclosed P/N	Amps	Core & Coil P/N	Enclosed P/N
0.5	2.4	CRX02D4AC	CRX02D4AE	1.1	CRX01D1AC	CRX01D1AE	1.1	CRX01D1BC	CRX01D1BE
0.75	3.5	CRX03D5BC	CRX03D5BE	1.6	CRX01D6AC	CRX01D6AE	1.6	CRX01D6BC	CRX01D6BE
1	4.6	CRX04D6AC	CRX04D6AE	2.1	CRX02D1AC	CRX02D1AE	2.1	CRX02D1BC	CRX02D1BE
1.5	6.6	CRX06D6AC	CRX06D6AE	3	CRX0003AC	CRX0003AE	3	CRX0003BC	CRX0003BE
2	7.5	CRX07D5BC	CRX07D5BE	3.4	CRX03D4AC	CRX03D4AE	3.4	CRX03D4BC	CRX03D4BE
3	10.7	CRX10D7AC	CRX10D7AE	4.8	CRX04D8AC	CRX04D8AE	4.8	CRX04D8BC	CRX04D8BE
5	16.7	CRX16D7AC	CRX16D7AE	7.6	CRX07D6AC	CRX07D6AE	7.6	CRX07D6BC	CRX07D6BE
7.5	24	CRX0024BC	CRX0024BE	11	CRX0011BC	CRX0011BE	11	CRX0011CC	CRX0011CE
10	31	CRX0031AC	CRX0031AE	14	CRX0014AC	CRX0014AE	14	CRX0014BC	CRX0014BE
15	46	CRX0046AC	CRX0046AE	21	CRX0021AC	CRX0021AE	21	CRX0021BC	CRX0021BE
20	59	CRX0059BC	CRX0059BE	27	CRX0027BC	CRX0027BE	27	CRX0027CC	CRX0027CE
25	75	CRX0075BC	CRX0075BE	34	CRX0034AC	CRX0034AE	34	CRX0034BC	CRX0034BE
30	88	CRX0088AC	CRX0088AE	40	CRX0040AC	CRX0040AE	40	CRX0040BC	CRX0040BE
40	114	CRX0114BC	CRX0114BE	52	CRX0052BC	CRX0052BE	52	CRX0052DC	CRX0052DE
50	143	CRX0143BC	CRX0143BE	65	CRX0065AC	CRX0065AE	65	CRX0065BC	CRX0065BE
60	170	CRX0170AC	CRX0170AE	77	CRX0077AC	CRX0077AE	77	CRX0077DC	CRX0077DE
75	211	CRX0211AC	CRX0211AE	96	CRX0096AC	CRX0096AE	96	CRX0096BC	CRX0096BE
100	273	CRX0273AC	CRX0273AE	124	CRX0124AC	CRX0124AE	124	CRX0124BC	CRX0124BE
125	343	CRX0343AC	CRX0343AE	156	CRX0156AC	CRX0156AE	156	CRX0156BC	CRX0156BE
150	396	CRX0396AC	CRX0396AE	180	CRX0180AC	CRX0180AE	180	CRX0180BC	CRX0180BE
200	528	CRX0528AC	CRX0528AE	240	CRX0240AC	CRX0240AE	240	CRX0240BC	CRX0240BE
250	-	-	-	302	CRX0302AC	CRX0302AE	302	CRX0302BC	CRX0302BE
300	-	-	-	361	CRX0361AC	CRX0361AE	361	CRX0361BC	CRX0361BE
350	-	-	-	414	CRX0414AC	CRX0414AE	414	CRX0414BC	CRX0414BE
400	-	-	-	477	CRX0477AC	CRX0477AE	477	CRX0477BC	CRX0477BE
450	-	-	-	515	CRX0515AC	CRX0515AE	515	CRX0515BC	CRX0515BE
500	-	-	-	590	CRX0590AC	CRX0590AE	590	CRX0590BC	CRX0590BE
600	-	-	-	720	CRX0720AC	CRX0720AE	720	CONSULT FACTORY	
700	-	-	-	840	CRX0840AC	CRX0840AE	840	CONSULT FACTORY	
800	-	-	-	960	CRX0960AC	CRX0960AE	960	CONSULT FACTORY	
900	-	-	-	1080	CRX1080AC	CRX1080AE	1080	CONSULT FACTORY	
1000	-	-	-	1200	CRX1200AC	CRX1200AE	1200	CONSULT FACTORY	

HP Rating	600 Volt* - 60Hz					
	3% Impedance			5% Impedance		
	Amps	Core & Coil P/N	Enclosed P/N	Amps	Core & Coil P/N	Enclosed P/N
0.5	1	CRX0001AC	CRX0001AE	1	CRX0001BC	CRX0001BE
0.75	1.4	CRX01D4AC	CRX01D4AE	1.4	CRX01D4BC	CRX01D4BE
1	1.8	CRX01D8AC	CRX01D8AE	1.8	CRX01D8BC	CRX01D8BE
1.5	2.6	CRX02D6AC	CRX02D6AE	2.6	CRX02D6BC	CRX02D6BE
2	2.7	CRX02D7AC	CRX02D7AE	2.7	CRX02D7BC	CRX02D7BE
3	3.9	CRX03D9AC	CRX03D9AE	3.9	CRX03D9BC	CRX03D9BE
5	6.1	CRX06D1AC	CRX06D1AE	6.1	CRX06D1BC	CRX06D1BE
7.5	9	CRX0009AC	CRX0009AE	9	CRX0009BC	CRX0009BE
10	11	CRX0011AC	CRX0011AE	11	CRX0011DC	CRX0011DE
15	17	CRX0017AC	CRX0017AE	17	CRX0017BC	CRX0017BE
20	22	CRX0022AC	CRX0022AE	22	CRX0022BC	CRX0022BE
25	27	CRX0027AC	CRX0027AE	27	CRX0027DC	CRX0027DE
30	32	CRX0032AC	CRX0032AE	32	CRX0032BC	CRX0032BE
40	41	CRX0041AC	CRX0041AE	41	CRX0041BC	CRX0041BE
50	52	CRX0052AC	CRX0052AE	52	CRX0052CC	CRX0052CE
60	62	CRX0062AC	CRX0062AE	62	CRX0062BC	CRX0062BE
75	77	CRX0077BC	CRX0077BE	77	CRX0077CC	CRX0077CE
100	99	CRX0099AC	CRX0099AE	99	CRX0099BC	CRX0099BE
125	125	CRX0125AC	CRX0125AE	125	CRX0125BC	CRX0125BE
150	144	CRX0144AC	CRX0144AE	144	CRX0144BC	CRX0144BE
200	192	CRX0192AC	CRX0192AE	192	CRX0192BC	CRX0192BE
250	242	CRX0242AC	CRX0242AE	242	CRX0242BC	CRX0242BE
300	289	CRX0289AC	CRX0289AE	289	CRX0289BC	CRX0289BE
350	336	CRX0336AC	CRX0336AE	336	CRX0336BC	CRX0336BE
400	382	CRX0382AC	CRX0382AE	382	CRX0382BC	CRX0382BE
450	412	CRX0412AC	CRX0412AE	412	CRX0412BC	CRX0412BE
500	472	CRX0472AC	CRX0472AE	472	CRX0472BC	CRX0472BE

\*de-rated for 690V



## Standard Three Phase Reactor Core & Coil Specification Charts

Current (Amps)	Part Number	Inductance (mH)	Watt Loss	Dimensions					Mtg Slot/ Hole Size	Dim. Fig. # (pg 124)	Termination Style Ref. # (pg 123)	Frame Size	Enclosure P/N	Weight (lb)
				Width	Depth	Height	Mtg. Width	Mtg. Depth						
1	CRX0001AC	27.20	21	4.13	2.29	5.13	2.81	1.79	0.28 x 0.38	1	1	1A	CREN1	2.39
	CRX0001BC	47.09	12	4.13	2.29	5.13	2.81	1.79	0.28 x 0.38	1	1	1A	CREN1	2.3
1.1	CRX01D1AC	20.36	12	4.13	2.29	5.13	2.81	1.79	0.28 x 0.38	1	1	1A	CREN1	2.23
	CRX01D1BC	33.94	15	4.13	2.29	5.13	2.81	1.79	0.28 x 0.38	1	1	1A	CREN1	2.33
1.4	CRX01D4AC	20.36	12	4.13	2.29	5.13	2.81	1.79	0.28 x 0.38	1	1	1A	CREN1	2.23
	CRX01D4BC	33.94	15	4.13	2.29	5.13	2.81	1.79	0.28 x 0.38	1	1	1A	CREN1	2.33
1.6	CRX01D6AC	14.91	15	4.13	2.29	5.13	2.81	1.79	0.28 x 0.38	1	1	1A	CREN1	2.26
	CRX01D6BC	23.55	12	4.13	2.29	5.13	2.81	1.79	0.28 x 0.38	1	1	1A	CREN1	2.36
1.8	CRX01D8AC	14.91	15	4.13	2.29	5.13	2.81	1.79	0.28 x 0.38	1	1	1A	CREN1	2.26
	CRX01D8BC	27.20	21	4.13	2.29	5.13	2.81	1.79	0.28 x 0.38	1	1	1A	CREN1	2.39
2	CRX0002CC	20.00	15	4.13	2.29	5.13	2.81	1.79	0.28 x 0.38	1	1	1A	CREN1	2.99
2.1	CRX02D1AC	10.61	19	4.13	2.29	5.13	2.81	1.79	0.28 x 0.38	1	1	1A	CREN1	2.39
	CRX02D1BC	17.83	21	4.13	2.29	5.13	2.81	1.79	0.28 x 0.38	1	1	1A	CREN1	2.73
2.4	CRX02D4AC	4.67	29	4.13	2.29	5.13	2.81	1.79	0.28 x 0.38	1	1	1A	CREN1	2.74
	CRX02D4BC	4.08	9	4.13	2.29	5.13	2.81	1.79	0.28 x 0.38	1	1	1A	CREN1	2.2
	CRX02D4CC	7.06	22	4.13	2.29	5.13	2.81	1.79	0.28 x 0.38	1	1	1A	CREN1	2.53
	CRX02D4DC	7.06	22	4.13	2.29	5.13	2.81	1.79	0.28 x 0.38	1	1	1A	CREN1	2.53
2.6	CRX02D6AC	10.61	35	4.13	2.29	5.13	2.81	1.79	0.28 x 0.38	1	1	1A	CREN1	2.56
	CRX02D6BC	17.83	21	4.13	2.29	5.13	2.81	1.79	0.28 x 0.38	1	1	1A	CREN1	2.73
2.7	CRX02D7AC	10.61	19	4.13	2.29	5.13	2.81	1.79	0.28 x 0.38	1	1	1A	CREN1	2.39
	CRX02D7BC	17.83	21	4.13	2.29	5.13	2.81	1.79	0.28 x 0.38	1	1	1A	CREN1	2.73
3	CRX0003AC	7.06	22	4.13	2.29	5.13	2.81	1.79	0.28 x 0.38	1	1	1A	CREN1	2.53
	CRX0003BC	10.61	35	4.13	2.29	5.13	2.81	1.79	0.28 x 0.38	1	1	1A	CREN1	2.56
3.4	CRX03D4AC	7.06	22	4.13	2.29	5.13	2.81	1.79	0.28 x 0.38	1	1	1A	CREN1	2.53
	CRX03D4BC	10.61	35	4.13	2.29	5.13	2.81	1.79	0.28 x 0.38	1	1	1A	CREN1	2.56
3.5	CRX03D5AC	2.80	15	4.13	2.29	5.13	2.81	1.79	0.28 x 0.38	1	1	1A	CREN1	2.21
	CRX03D5BC	3.55	18	4.13	2.29	5.13	2.81	1.79	0.28 x 0.38	1	1	1A	CREN1	2.47
	CRX03D5CC	5.09	40	6.50	5.00	6.13	4.38	4.00	0.28 x 0.38	1	2	1D	CREN1	10.99
	CRX03D5DC	4.67	29	4.13	2.29	5.13	2.81	1.79	0.28 x 0.38	1	1	1A	CREN1	2.74
3.9	CRX03D9AC	7.06	22	4.13	2.29	5.13	2.81	1.79	0.28 x 0.38	1	1	1A	CREN1	2.53
	CRX03D9BC	10.61	35	4.13	2.29	5.13	2.81	1.79	0.28 x 0.38	1	1	1A	CREN1	2.56
4	CRX0004CC	9.10	26	4.13	2.29	5.13	2.81	1.79	0.28 x 0.38	1	1	1A	CREN1	2.99
4.6	CRX04D6AC	2.13	15	4.13	2.29	5.13	2.81	1.79	0.28 x 0.38	1	1	1A	CREN1	2.25
	CRX04D6BC	2.13	15	4.13	2.29	5.13	2.81	1.79	0.28 x 0.38	1	1	1A	CREN1	2.25
	CRX04D6CC	3.55	18	4.13	2.29	5.13	2.81	1.79	0.28 x 0.38	1	1	1A	CREN1	2.47
	CRX04D6DC	4.67	29	4.13	2.29	5.13	2.81	1.79	0.28 x 0.38	1	1	1A	CREN1	2.74
4.8	CRX04D8AC	4.70	22	4.13	2.29	5.13	2.81	1.79	0.28 x 0.38	1	1	1A	CREN1	2.56
	CRX04D8BC	7.78	35	4.13	3.51	5.13	2.87	2.63	0.28 x 0.38	1	1	1B	CREN1	4.45
6.1	CRX06D1AC	4.67	29	4.13	2.29	5.13	2.81	1.79	0.28 x 0.38	1	1	1A	CREN1	2.74
	CRX06D1BC	7.78	35	4.13	3.51	5.13	2.87	2.63	0.28 x 0.38	1	1	1B	CREN1	4.45
6.6	CRX06D6AC	1.48	18	4.13	2.29	5.13	2.81	1.79	0.28 x 0.38	1	1	1A	CREN1	2.35
	CRX06D6BC	1.48	18	4.13	2.29	5.13	2.81	1.79	0.28 x 0.38	1	1	1A	CREN1	2.35
	CRX06D6CC	2.33	24	4.13	2.29	5.13	2.81	1.79	0.28 x 0.38	1	1	1A	CREN1	2.65
	CRX06D6DC	3.06	31	4.13	3.51	5.13	2.87	2.63	0.28 x 0.38	1	1	1B	CREN1	4.43
7.5	CRX07D5AC	1.31	18	4.13	2.29	5.13	2.81	1.79	0.28 x 0.38	1	1	1A	CREN1	2.44
	CRX07D5BC	1.53	25	4.13	3.51	5.38	2.87	2.63	0.28 x 0.38	1	2	1C	CREN1	4.26
	CRX07D5CC	2.33	24	4.13	2.29	5.13	2.81	1.79	0.28 x 0.38	1	1	1A	CREN1	2.65
	CRX07D5DC	2.33	24	4.13	2.29	5.13	2.81	1.79	0.28 x 0.38	1	1	1A	CREN1	2.65
7.6	CRX07D6AC	3.06	31	4.13	3.51	5.13	2.87	2.63	0.28 x 0.38	1	1	1B	CREN1	4.43
	CRX07D6BC	5.09	40	6.50	5.00	6.13	4.38	4.00	0.28 x 0.38	1	2	1D	CREN1	10.99

All dimensions in inches

SECTION 3



## Standard Three Phase Reactor Core & Coil Specification Charts

Current (Amps)	Part Number	Inductance (mH)	Watt Loss	Dimensions					Mtg Slot/ Hole Size	Dim. Fig. # (pg 124)	Termination Style Ref. # (pg 123)	Frame Size	Enclosure P/N	Weight (lb)
				Width	Depth	Height	Mtg. Width	Mtg. Depth						
8	CRX0008CC	7.50	39	6.50	5.00	6.13	4.38	4.00	0.28 x 0.38	1	2	1D	CREN1	11.61
9	CRX0009AC	3.06	31	4.13	3.51	5.13	2.87	2.63	0.28 x 0.38	1	1	1B	CREN1	4.43
	CRX0009BC	5.09	40	6.50	5.00	6.13	4.38	4.00	0.28 x 0.38	1	2	1D	CREN1	10.99
10.7	CRX10D7AC	0.95	30	4.13	3.51	5.38	2.87	2.63	0.28 x 0.38	1	2	1C	CREN1	4.5
	CRX10D7BC	0.95	30	4.13	3.51	5.38	2.87	2.63	0.28 x 0.38	1	2	1C	CREN1	4.5
	CRX10D7CC	1.64	37	4.13	3.51	5.38	2.87	2.63	0.28 x 0.38	1	2	1C	CREN1	4.28
	CRX10D7DC	1.53	25	4.13	3.51	5.38	2.87	2.63	0.28 x 0.38	1	2	1C	CREN1	4.26
11	CRX0011AC	2.57	36	4.13	3.51	5.38	2.87	2.63	0.28 x 0.38	1	2	1C	CREN1	4.58
	CRX0011BC	2.10	31	4.13	3.51	5.38	2.87	2.63	0.28 x 0.38	1	2	1C	CREN1	4.48
	CRX0011CC	3.40	39	6.50	5.00	6.13	4.38	4.00	0.28 x 0.38	1	2	1D	CREN1	10.63
	CRX0011DC	4.28	45	6.50	5.00	6.13	4.38	4.00	0.28 x 0.38	1	2	1D	CREN1	10.6
12	CRX0012CC	4.20	52	6.50	5.00	6.13	4.38	4.00	0.28 x 0.38	1	2	1D	CREN1	11.8
14	CRX0014AC	1.64	37	4.13	3.51	5.38	2.87	2.63	0.28 x 0.38	1	2	1C	CREN1	4.28
	CRX0014BC	2.73	57	6.50	5.00	6.13	4.38	4.00	0.28 x 0.38	1	2	1D	CREN1	11.07
16.7	CRX16D7AC	0.59	30	4.13	3.51	5.38	2.87	2.63	0.28 x 0.38	1	2	1C	CREN1	4.06
	CRX16D7BC	0.59	30	4.13	3.51	5.38	2.87	2.63	0.28 x 0.38	1	2	1C	CREN1	4.06
	CRX16D7CC	1.06	57	6.50	5.00	6.13	4.38	4.00	0.28 x 0.38	1	3	1D	CREN1	11.09
	CRX16D7DC	0.95	30	4.13	3.51	5.38	2.87	2.63	0.28 x 0.38	1	2	1C	CREN1	4.5
17	CRX0017AC	1.66	51	6.50	5.00	6.13	4.38	4.00	0.28 x 0.38	1	2	1D	CREN1	10.28
	CRX0017BC	2.73	57	6.50	5.00	6.13	4.38	4.00	0.28 x 0.38	1	2	1D	CREN1	11.07
21	CRX0021AC	1.06	57	6.50	5.00	6.13	4.38	4.00	0.28 x 0.38	1	3	1D	CREN1	11.09
	CRX0021BC	1.80	57	6.50	5.00	6.13	4.38	4.00	0.28 x 0.38	1	2	1D	CREN1	11.17
22	CRX0022AC	1.28	51	6.50	5.00	6.13	4.38	4.00	0.28 x 0.38	1	2	1D	CREN1	10.62
	CRX0022BC	2.14	77	6.50	5.00	6.13	4.38	4.00	0.28 x 0.38	1	2	1D	CREN1	11.88
24	CRX0024AC	0.41	35	4.13	3.51	5.38	2.87	2.63	0.28 x 0.38	1	2	1C	CREN1	4.35
	CRX0024BC	0.55	68	6.50	5.00	6.13	4.38	4.00	0.28 x 0.38	1	3	1D	CREN1	11.79
	CRX0024CC	0.68	47	6.50	5.00	6.13	4.38	4.00	0.28 x 0.38	1	2	1D	CREN1	10.35
	CRX0024DC	0.86	60	6.50	5.00	6.13	4.38	4.00	0.28 x 0.38	1	2	1D	CREN1	10.47
27	CRX0027AC	1.06	57	6.50	5.00	6.13	4.38	4.00	0.28 x 0.38	1	3	1D	CREN1	11.09
	CRX0027BC	0.86	60	6.50	5.00	6.13	4.38	4.00	0.28 x 0.38	1	2	1D	CREN1	10.47
	CRX0027CC	1.40	57	6.50	5.00	6.13	4.38	4.00	0.28 x 0.38	1	3	1D	CREN1	12.14
	CRX0027DC	1.77	93	7.12	4.69	6.38	4.80	3.27	0.38 x 0.50	2	3	2A	CREN2	11.5
31	CRX0031AC	0.32	31	6.50	5.00	6.13	4.38	4.00	0.28 x 0.38	1	3	1D	CREN1	10.35
	CRX0031BC	0.32	31	6.50	5.00	6.13	4.38	4.00	0.28 x 0.38	1	3	1D	CREN1	10.35
	CRX0031CC	0.55	68	6.50	5.00	6.13	4.38	4.00	0.28 x 0.38	1	3	1D	CREN1	11.79
	CRX0031DC	0.68	80	6.50	5.00	6.13	4.38	4.00	0.28 x 0.38	1	3	1D	CREN1	12.15
32	CRX0032AC	0.88	68	6.50	5.00	6.13	4.38	4.00	0.28 x 0.38	1	3	1D	CREN1	11.85
	CRX0032BC	1.43	80	7.12	4.69	6.38	4.80	3.27	0.38 x 0.50	2	3	2A	CREN2	12.1
34	CRX0034AC	0.68	80	6.50	5.00	6.13	4.38	4.00	0.28 x 0.38	1	3	1D	CREN1	12.15
	CRX0034BC	1.13	115	7.12	5.19	6.38	4.80	3.77	0.38 x 0.50	2	3	2B	CREN2	12
35	CRX0035CC	1.70	93	7.12	5.19	6.38	4.80	3.77	0.38 x 0.50	2	3	2B	CREN2	24
40	CRX0040AC	0.55	68	6.50	5.00	6.13	4.38	4.00	0.28 x 0.38	1	3	1D	CREN1	11.79
	CRX0040BC	0.94	105	7.12	4.69	6.38	4.80	3.27	0.38 x 0.50	2	3	2A	CREN2	12.2
41	CRX0041AC	0.68	80	6.50	5.00	6.13	4.38	4.00	0.28 x 0.38	1	3	1D	CREN1	12.15
	CRX0041BC	1.13	115	7.12	5.19	6.38	4.80	3.77	0.38 x 0.50	2	3	2B	CREN2	12
45	CRX0045CC	1.20	140	7.12	5.19	6.38	4.80	3.77	0.38 x 0.50	2	3	2B	CREN2	24
46	CRX0046AC	0.21	40	6.50	5.00	6.13	4.38	4.00	0.28 x 0.38	1	3	1D	CREN1	10.87
	CRX0046BC	0.21	40	6.50	5.00	6.13	4.38	4.00	0.28 x 0.38	1	3	1D	CREN1	10.87
	CRX0046CC	0.36	60	6.50	5.00	6.13	4.38	4.00	0.28 x 0.38	1	3	1D	CREN1	11.5
	CRX0046DC	0.45	130	7.12	4.69	6.38	4.80	3.27	0.38 x 0.50	2	3	2A	CREN2	19

All dimensions in inches



## Standard Three Phase Reactor Core & Coil Specification Charts

Current (Amps)	Part Number	Inductance (mH)	Watt Loss	Dimensions					Mtg Slot/ Hole Size	Dim. Fig. # (pg 124)	Termination Style Ref. # (pg 123)	Frame Size	Enclosure P/N	Weight (lb)
				Width	Depth	Height	Mtg. Width	Mtg. Depth						
52	CRX0052AC	0.50	70	7.12	4.69	6.38	4.80	3.27	0.38 x 0.50	2	3	2A	CREN2	15
	CRX0052BC	0.43	85	7.12	4.69	6.38	4.80	3.27	0.38 x 0.50	2	3	2A	CREN2	17
	CRX0052CC	0.91	130	7.12	5.19	6.38	4.80	3.77	0.38 x 0.50	2	3	2B	CREN2	25
	CRX0052DC	0.74	170	7.12	5.19	6.38	4.80	3.77	0.38 x 0.50	2	3	2B	CREN2	25
59	CRX0059AC	0.17	55	6.50	5.00	6.13	4.38	4.00	0.28 x 0.38	1	3	1D	CREN1	11.03
	CRX0059BC	0.22	85	7.25	5.88	5.63	4.80	3.27	0.38 x 0.50	3	4	3A	CREN2	18
	CRX0059CC	0.30	75	7.12	4.69	6.38	4.80	3.27	0.38 x 0.50	2	3	2A	CREN2	16
	CRX0059DC	0.36	110	7.25	6.00	5.63	4.80	3.77	0.38 x 0.50	3	4	3C	CREN2	25
62	CRX0062AC	0.45	130	7.12	4.69	6.38	4.80	3.27	0.38 x 0.50	2	3	2A	CREN2	19
	CRX0062BC	0.74	170	7.12	5.19	6.38	4.80	3.77	0.38 x 0.50	2	3	2B	CREN2	25
65	CRX0065AC	0.34	110	7.25	6.00	5.63	4.80	3.77	0.38 x 0.50	3	4	3C	CREN2	25
	CRX0065BC	0.57	120	7.25	6.00	5.63	4.80	3.77	0.38 x 0.50	3	4	3C	CREN2	25
75	CRX0075AC	0.12	70	7.25	5.88	5.63	4.80	3.27	0.38 x 0.50	3	4	3A	CREN2	17
	CRX0075BC	0.19	95	7.25	5.88	5.63	4.80	3.27	0.38 x 0.50	3	4	3A	CREN2	18
	CRX0075CC	0.22	85	7.25	5.88	5.63	4.80	3.27	0.38 x 0.50	3	4	3A	CREN2	18
	CRX0075DC	0.29	105	7.25	6.00	5.63	4.80	3.77	0.38 x 0.50	3	4	3C	CREN2	21
77	CRX0077AC	0.29	105	7.25	6.00	5.63	4.80	3.77	0.38 x 0.50	3	4	3C	CREN2	21
	CRX0077BC	0.36	110	7.25	6.00	5.63	4.80	3.77	0.38 x 0.50	3	4	3C	CREN2	25
	CRX0077CC	0.60	216	9.25	6.25	7.00	6.00	3.70	0.44 x 1.0	3	4	3E	CREN2	30
	CRX0077DC	0.49	160	7.25	6.00	5.63	4.80	3.77	0.38 x 0.50	3	4	3C	CREN2	24
88	CRX0088AC	0.12	70	7.25	5.88	5.63	4.80	3.27	0.38 x 0.50	3	4	3A	CREN2	17
	CRX0088BC	0.12	70	7.25	5.88	5.63	4.80	3.27	0.38 x 0.50	3	4	3A	CREN2	17
	CRX0088CC	0.19	95	7.25	5.88	5.63	4.80	3.27	0.38 x 0.50	3	4	3A	CREN2	18
	CRX0088DC	0.24	120	7.25	6.00	5.63	4.80	3.77	0.38 x 0.50	3	4	3C	CREN2	24
96	CRX0096AC	0.24	120	7.25	6.00	5.63	4.80	3.77	0.38 x 0.50	3	4	3C	CREN2	24
	CRX0096BC	0.39	170	9.25	8.25	7.00	6.00	5.70	0.44 x 1.0	3	4	3N	CREN2	49
99	CRX0099AC	0.28	125	7.25	6.00	5.63	4.80	3.77	0.38 x 0.50	3	4	3C	CREN2	26
	CRX0099BC	0.48	210	9.25	8.00	7.00	6.00	5.45	0.44 x 1.0	3	4	3L	CREN2	48
114	CRX0114AC	0.09	70	7.25	6.00	5.63	4.80	3.27	0.38 x 0.50	3	5	3B	CREN2	18
	CRX0114BC	0.11	140	9.25	6.75	7.00	6.00	3.83	0.44 x 1.0	3	5	3F	CREN2	28
	CRX0114CC	0.14	110	9.25	7.25	7.00	6.00	4.33	0.44 x 1.0	3	5	3J	CREN2	33
	CRX0114DC	0.19	190	10.80	8.25	10.00	7.20	5.21	0.44 x 1.0	4	5	4A	CRECH2	52
124	CRX0124AC	0.19	190	10.80	8.25	10.00	7.20	5.21	0.44 x 1.0	4	5	4A	CRECH2	52
	CRX0124BC	0.30	185	9.25	8.63	7.00	6.00	5.20	0.44 x 1.0	3	5	3Q	CREN2	48
125	CRX0125AC	0.23	160	9.25	7.63	7.00	6.00	4.70	0.44 x 1.0	3	5	3K	CREN2	41
	CRX0125BC	0.38	250	10.80	9.13	10.00	7.20	6.08	0.44 x 1.0	4	5	4C	CRECH2	67
143	CRX0143AC	0.07	88	7.25	6.00	5.63	4.80	3.27	0.38 x 0.50	3	5	3B	CREN2	20
	CRX0143BC	0.10	130	9.25	7.00	7.00	6.00	3.95	0.44 x 1.0	3	5	3H	CREN2	34
	CRX0143CC	0.11	140	9.25	6.75	7.00	6.00	3.83	0.44 x 1.0	3	5	3F	CREN2	28
	CRX0143DC	0.11	140	9.25	6.75	7.00	6.00	3.83	0.44 x 1.0	3	5	3F	CREN2	28
144	CRX0144AC	0.19	190	10.80	8.25	10.00	7.20	5.21	0.44 x 1.0	4	5	4A	CRECH2	52
	CRX0144BC	0.35	240	10.80	9.50	10.00	7.20	6.33	0.44 x 1.0	4	5	4D	CRECH4	74
156	CRX0156AC	0.15	210	9.25	7.00	7.00	6.00	4.08	0.44 x 1.0	3	5	3G	CREN2	32
	CRX0156BC	0.24	260	9.25	8.63	7.00	6.00	5.70	0.44 x 1.0	3	5	3R	CRECH2	32
170	CRX0170AC	0.06	100	7.25	6.25	5.63	4.80	3.77	0.38 x 0.50	3	5	3D	CREN2	23
	CRX0170BC	0.06	100	7.25	6.25	5.63	4.80	3.77	0.38 x 0.50	3	5	3D	CREN2	23
	CRX0170CC	0.10	130	9.25	7.00	7.00	6.00	3.95	0.44 x 1.0	3	5	3H	CREN2	34
	CRX0170DC	0.10	130	9.25	7.00	7.00	6.00	3.95	0.44 x 1.0	3	5	3H	CREN2	34
180	CRX0180AC	0.13	180	9.25	8.88	7.00	6.00	5.95	0.44 x 1.0	3	5	3S	CRECH2	54
	CRX0180BC	0.21	250	10.80	8.38	10.00	7.20	5.33	0.44 x 1.0	4	5	4B	CRECH2	63
192	CRX0192AC	0.15	200	9.25	8.25	7.00	6.00	5.45	0.44 x 1.0	3	5	3P	CRECH2	53
	CRX0192BC	0.25	325	10.80	10.50	10.00	7.20	7.33	0.44 x 1.0	4	5	4E	CRECH2	90

All dimensions in inches



## Standard Three Phase Reactor Core & Coil Specification Charts

Current (Amps)	Part Number	Inductance (mH)	Watt Loss	Dimensions					Mtg Slot/ Hole Size	Dim. Fig. # (pg 124)	Termination Style Ref. # (pg 123)	Frame Size	Enclosure P/N	Weight (lb)
				Width	Depth	Height	Mtg. Width	Mtg. Depth						
200	CRX0200CC	0.11	195	9.25	7.63	7.00	6.00	4.70	0.44 x 1.0	3	5	3K	CRECH2	44
211	CRX0211AC	0.05	125	7.25	6.25	5.63	4.80	3.77	0.38 x 0.50	3	5	3D	CREN2	24
	CRX0211BC	0.05	125	7.25	6.25	5.63	4.80	3.77	0.38 x 0.50	3	5	3D	CREN2	24
	CRX0211CC	0.08	180	9.25	7.63	7.00	6.00	4.70	0.44 x 1.0	3	5	3K	CRECH2	39
	CRX0211DC	0.10	225	11.05	8.25	10.00	7.20	5.21	0.44 x 1.0	4	5	4G	CRECH2	58
240	CRX0240AC	0.10	225	11.05	8.25	10.00	7.20	5.21	0.44 x 1.0	4	5	4G	CRECH2	58
	CRX0240BC	0.16	435	13.75	11.63	12.50	9.00	8.70	0.44 x 1.0	4	5	4V	CRECH4	155
242	CRX0242AC	0.12	275	11.05	8.25	10.00	7.20	5.08	0.44 x 1.0	4	5	4F	CRECH2	59
	CRX0242BC	0.20	360	11.05	9.50	10.00	7.20	6.46	0.44 x 1.0	4	5	4M	CRECH4	87
273	CRX0273AC	0.04	130	9.25	8.13	7.00	6.00	5.20	0.44 x 1.0	3	5	3M	CRECH2	43
	CRX0273BC	0.04	130	9.25	8.13	7.00	6.00	5.20	0.44 x 1.0	3	5	3M	CRECH2	43
	CRX0273CC	0.06	200	11.05	9.13	10.00	7.20	6.08	0.44 x 1.0	4	5	4L	CRECH4	67
	CRX0273DC	0.08	310	13.75	9.00	12.50	9.00	6.05	0.44 x 1.0	4	5	4M	CRECH4	84
289	CRX0289AC	0.10	290	11.05	9.00	10.00	7.20	5.96	0.44 x 1.0	4	5	4K	CRECH4	75
	CRX0289BC	0.16	435	13.75	11.63	12.50	9.00	8.70	0.44 x 1.0	4	5	4V	CRECH4	155
302	CRX0302AC	0.08	310	13.75	9.00	12.50	9.00	6.05	0.44 x 1.0	4	5	4M	CRECH4	84
	CRX0302BC	0.13	475	13.75	11.38	14.50	9.00	8.42	0.44 x 1.0	4	5	4AA	CRECH4	171
336	CRX0336AC	0.08	360	13.75	9.38	14.50	9.00	6.42	0.44 x 1.0	4	5	4W	CRECH4	110
	CRX0336BC	0.13	475	13.75	11.38	14.50	9.00	8.42	0.44 x 1.0	4	5	4AA	CRECH4	171
343	CRX0343AC	0.03	200	11.05	8.63	10.00	7.20	5.58	0.44 x 1.0	4	5	4H	CRECH4	57
	CRX0343BC	0.03	200	11.05	8.63	10.00	7.20	5.58	0.44 x 1.0	4	5	4H	CRECH4	57
	CRX0343CC	0.05	230	11.05	8.88	10.00	7.20	5.83	0.44 x 1.0	4	5	4J	CRECH4	66
	CRX0343DC	0.06	325	13.75	9.38	12.50	9.00	6.42	0.44 x 1.0	4	5	4Q	CRECH4	95
361	CRX0361AC	0.06	325	13.75	9.38	12.50	9.00	6.42	0.44 x 1.0	4	5	4Q	CRECH4	95
	CRX0361BC	0.10	445	13.75	11.38	12.50	9.00	8.42	0.44 x 1.0	4	5	4U	CRECH5	147
382	CRX0382AC	0.07	435	13.75	10.38	12.50	9.00	7.30	0.44 x 1.0	4	5	4S	CRECH5	116
	CRX0382BC	0.12	580	13.75	11.50	14.50	9.00	8.67	0.44 x 1.0	4	5	4AB	CRECH5	180
396	CRX0396AC	0.03	200	11.05	8.63	10.00	7.20	5.58	0.44 x 1.0	4	5	4H	CRECH4	57
	CRX0396BC	0.03	200	11.05	8.63	10.00	7.20	5.58	0.44 x 1.0	4	5	4H	CRECH4	57
	CRX0396CC	0.04	300	13.75	9.38	12.50	9.00	6.42	0.44 x 1.0	4	5	4Q	CRECH4	92
	CRX0396DC	0.04	300	13.75	9.38	12.50	9.00	6.42	0.44 x 1.0	4	5	4Q	CRECH4	92
412	CRX0412AC	0.07	435	13.75	10.38	12.50	9.00	7.30	0.44 x 1.0	4	5	4S	CRECH5	116
	CRX0412BC	0.11	550	13.75	10.88	12.50	9.00	7.92	0.44 x 1.0	4	5	4T	CRECH5	146
414	CRX0414AC	0.06	400	13.75	10.13	12.50	9.00	7.17	0.44 x 1.0	4	5	4R	CRECH5	125
	CRX0414BC	0.08	505	13.75	11.38	12.50	9.00	8.42	0.44 x 1.0	4	5	4U	CRECH5	143
472	CRX0472AC	0.06	400	13.75	10.13	12.50	9.00	7.17	0.44 x 1.0	4	5	4R	CRECH5	125
	CRX0472BC	0.10	560	13.75	11.63	12.50	9.00	8.70	0.44 x 1.0	4	5	4V	CRECH5	171
477	CRX0477AC	0.05	420	13.75	10.88	14.50	9.00	7.42	0.44 x 1.0	4	6	4Z	CRECH6	145
	CRX0477BC	0.08	600	13.75	13.38	14.50	9.00	9.92	0.44 x 1.0	4	6	4AC	CRECH6	220
515	CRX0515AC	0.05	420	13.75	10.88	14.50	9.00	7.42	0.44 x 1.0	4	6	4Z	CRECH6	145
	CRX0515BC	0.08	600	13.75	13.38	14.50	9.00	9.92	0.44 x 1.0	4	6	4AC	CRECH6	220
528	CRX0528AC	0.02	220	13.75	9.38	12.50	9.00	5.70	0.44 x 1.0	4	6	4P	CRECH5	74
	CRX0528BC	0.02	220	13.75	9.38	12.50	9.00	5.70	0.44 x 1.0	4	6	4P	CRECH5	74
	CRX0528CC	0.03	355	13.75	9.63	14.50	9.00	6.17	0.44 x 1.0	4	6	4X	CRECH5	102
	CRX0528DC	0.04	495	13.75	10.63	14.50	9.00	7.17	0.44 x 1.0	4	6	4Y	CRECH5	133
590	CRX0590AC	0.04	495	13.75	10.63	14.50	9.00	7.17	0.44 x 1.0	4	6	4Y	CRECH5	133
	CRX0590BC	0.06	680	13.75	13.38	14.50	9.00	9.92	0.44 x 1.0	4	6	4AC	CRECH6	220
720	CRX0720AC	0.03	480	13.75	11.63	14.50	9.00	7.17	0.44 x 1.0	5	6	5A	CRECH6	145
840	CRX0840AC	0.03	570	13.75	11.88	14.50	9.00	7.17	0.44 x 1.0	5	6	5B	CRECH6	150
960	CRX0960AC	0.02	675	17.75	13.75	18.50	12.00	7.42	0.44 x 1.0	5	7	5D	CRECH6	270
1080	CRX1080AC	0.02	675	17.75	13.75	18.50	12.00	7.42	0.44 x 1.0	5	7	5D	CRECH6	270
1200	CRX1200AC	0.02	710	17.75	13.25	18.50	12.00	6.92	0.44 x 1.0	5	7	5C	CRECH6	250

SECTION 3

All dimensions in inches





## Standard Three Phase Reactor Enclosed Specification Charts

Current (Amps)	Part Number	Inductance (mH)	Watt Loss	Dimensions					Mtg Slot/Hole Size	Enclosure Style	Termination Style Ref. # (pg 123)	Weight (lb)
				Width	Depth	Height	Mtg. Width	Mtg. Depth				
1	CRX0001AE	27.20	21	10.00	8.00	8.13	7.00	6.50	0.188	N1	1	7.50
	CRX0001BE	47.09	12	10.00	8.00	8.13	7.00	6.50	0.188	N1	1	7.50
1.1	CRX01D1AE	20.36	12	10.00	8.00	8.13	7.00	6.50	0.188	N1	1	7.50
	CRX01D1BE	33.94	15	10.00	8.00	8.13	7.00	6.50	0.188	N1	1	7.50
1.4	CRX01D4AE	20.36	12	10.00	8.00	8.13	7.00	6.50	0.188	N1	1	7.50
	CRX01D4BE	33.94	15	10.00	8.00	8.13	7.00	6.50	0.188	N1	1	7.50
1.6	CRX01D6AE	14.91	15	10.00	8.00	8.13	7.00	6.50	0.188	N1	1	7.50
	CRX01D6BE	23.55	12	10.00	8.00	8.13	7.00	6.50	0.188	N1	1	7.50
1.8	CRX01D8AE	14.91	15	10.00	8.00	8.13	7.00	6.50	0.188	N1	1	7.50
	CRX01D8BE	27.20	21	10.00	8.00	8.13	7.00	6.50	0.188	N1	1	7.50
2	CRX0002CE	20.00	15	10.00	8.00	8.13	7.00	6.50	0.188	N1	1	8.00
2.1	CRX02D1AE	10.61	19	10.00	8.00	8.13	7.00	6.50	0.188	N1	1	7.50
	CRX02D1BE	17.83	21	10.00	8.00	8.13	7.00	6.50	0.188	N1	1	8.00
2.4	CRX02D4AE	4.67	29	10.00	8.00	8.13	7.00	6.50	0.188	N1	1	8.00
	CRX02D4BE	4.08	9	10.00	8.00	8.13	7.00	6.50	0.188	N1	1	7.50
	CRX02D4CE	7.06	22	10.00	8.00	8.13	7.00	6.50	0.188	N1	1	8.00
	CRX02D4DE	7.06	22	10.00	8.00	8.13	7.00	6.50	0.188	N1	1	8.00
2.6	CRX02D6AE	10.61	35	10.00	8.00	8.13	7.00	6.50	0.188	N1	1	8.00
	CRX02D6BE	17.83	21	10.00	8.00	8.13	7.00	6.50	0.188	N1	1	8.00
2.7	CRX02D7AE	10.61	19	10.00	8.00	8.13	7.00	6.50	0.188	N1	1	7.50
	CRX02D7BE	17.83	21	10.00	8.00	8.13	7.00	6.50	0.188	N1	1	8.00
3	CRX0003AE	7.06	22	10.00	8.00	8.13	7.00	6.50	0.188	N1	1	8.00
	CRX0003BE	10.61	35	10.00	8.00	8.13	7.00	6.50	0.188	N1	1	8.00
3.4	CRX03D4AE	7.06	22	10.00	8.00	8.13	7.00	6.50	0.188	N1	1	8.00
	CRX03D4BE	10.61	35	10.00	8.00	8.13	7.00	6.50	0.188	N1	1	8.00
3.5	CRX03D5AE	2.80	15	10.00	8.00	8.13	7.00	6.50	0.188	N1	1	7.50
	CRX03D5BE	3.55	18	10.00	8.00	8.13	7.00	6.50	0.188	N1	1	7.50
	CRX03D5CE	5.09	40	10.00	8.00	8.13	7.00	6.50	0.188	N1	2	16.00
	CRX03D5DE	4.67	29	10.00	8.00	8.13	7.00	6.50	0.188	N1	1	8.00
3.9	CRX03D9AE	7.06	22	10.00	8.00	8.13	7.00	6.50	0.188	N1	1	8.00
	CRX03D9BE	10.61	35	10.00	8.00	8.13	7.00	6.50	0.188	N1	1	8.00
4	CRX0004CE	9.10	26	10.00	8.00	8.13	7.00	6.50	0.188	N1	1	8.00
4.6	CRX04D6AE	2.13	15	10.00	8.00	8.13	7.00	6.50	0.188	N1	1	7.50
	CRX04D6BE	2.13	15	10.00	8.00	8.13	7.00	6.50	0.188	N1	1	7.50
	CRX04D6CE	3.55	18	10.00	8.00	8.13	7.00	6.50	0.188	N1	1	7.50
	CRX04D6DE	4.67	29	10.00	8.00	8.13	7.00	6.50	0.188	N1	1	8.00
4.8	CRX04D8AE	4.70	22	10.00	8.00	8.13	7.00	6.50	0.188	N1	1	8.00
	CRX04D8BE	7.78	35	10.00	8.00	8.13	7.00	6.50	0.188	N1	1	9.50
6.1	CRX06D1AE	4.67	29	10.00	8.00	8.13	7.00	6.50	0.188	N1	1	8.00
	CRX06D1BE	7.78	35	10.00	8.00	8.13	7.00	6.50	0.188	N1	1	9.50
6.6	CRX06D6AE	1.48	18	10.00	8.00	8.13	7.00	6.50	0.188	N1	1	7.50
	CRX06D6BE	1.48	18	10.00	8.00	8.13	7.00	6.50	0.188	N1	1	7.50
	CRX06D6CE	2.33	24	10.00	8.00	8.13	7.00	6.50	0.188	N1	1	8.00
	CRX06D6DE	3.06	31	10.00	8.00	8.13	7.00	6.50	0.188	N1	1	9.50
7.5	CRX07D5AE	1.31	18	10.00	8.00	8.13	7.00	6.50	0.188	N1	1	7.50
	CRX07D5BE	1.53	25	10.00	8.00	8.13	7.00	6.50	0.188	N1	2	9.50
	CRX07D5CE	2.33	24	10.00	8.00	8.13	7.00	6.50	0.188	N1	1	8.00
	CRX07D5DE	2.33	24	10.00	8.00	8.13	7.00	6.50	0.188	N1	1	8.00
7.6	CRX07D6AE	3.06	31	10.00	8.00	8.13	7.00	6.50	0.188	N1	1	9.50
	CRX07D6BE	5.09	40	10.00	8.00	8.13	7.00	6.50	0.188	N1	2	16.00

Note: Please refer to Pages 264 to 269 for enclosure dimensional specifications

All dimensions in inches



SECTION 3

## Standard Three Phase Reactor Enclosed Specification Charts

Current (Amps)	Part Number	Inductance (mH)	Watt Loss	Dimensions					Mtg Slot/ Hole Size	Enclosure Style	Termination Style Ref. # (pg 123)	Weight (lb)
				Width	Depth	Height	Mtg. Width	Mtg. Depth				
8	CRX0008CE	7.50	39	10.00	8.00	8.13	7.00	6.50	0.188	N1	2	17.00
9	CRX0009AE	3.06	31	10.00	8.00	8.13	7.00	6.50	0.188	N1	1	9.50
	CRX0009BE	5.09	40	10.00	8.00	8.13	7.00	6.50	0.188	N1	2	16.00
10.7	CRX10D7AE	0.95	30	10.00	8.00	8.13	7.00	6.50	0.188	N1	2	9.50
	CRX10D7BE	0.95	30	10.00	8.00	8.13	7.00	6.50	0.188	N1	2	9.50
	CRX10D7CE	1.64	37	10.00	8.00	8.13	7.00	6.50	0.188	N1	2	9.50
	CRX10D7DE	1.53	25	10.00	8.00	8.13	7.00	6.50	0.188	N1	2	9.50
11	CRX0011AE	2.57	36	10.00	8.00	8.13	7.00	6.50	0.188	N1	2	10.00
	CRX0011BE	2.10	31	10.00	8.00	8.13	7.00	6.50	0.188	N1	2	9.50
	CRX0011CE	3.40	39	10.00	8.00	8.13	7.00	6.50	0.188	N1	2	16.00
	CRX0011DE	4.28	45	10.00	8.00	8.13	7.00	6.50	0.188	N1	2	16.00
12	CRX0012CE	4.20	52	10.00	8.00	8.13	7.00	6.50	0.188	N1	2	17.00
14	CRX0014AE	1.64	37	10.00	8.00	8.13	7.00	6.50	0.188	N1	2	9.50
	CRX0014BE	2.73	57	10.00	8.00	8.13	7.00	6.50	0.188	N1	2	16.50
16.7	CRX16D7AE	0.59	30	10.00	8.00	8.13	7.00	6.50	0.188	N1	2	9.50
	CRX16D7BE	0.59	30	10.00	8.00	8.13	7.00	6.50	0.188	N1	2	9.50
	CRX16D7CE	1.06	57	10.00	8.00	8.13	7.00	6.50	0.188	N1	3	16.50
	CRX16D7DE	0.95	30	10.00	8.00	8.13	7.00	6.50	0.188	N1	2	9.50
17	CRX0017AE	1.66	51	10.00	8.00	8.13	7.00	6.50	0.188	N1	2	15.50
	CRX0017BE	2.73	57	10.00	8.00	8.13	7.00	6.50	0.188	N1	2	16.50
21	CRX0021AE	1.06	57	10.00	8.00	8.13	7.00	6.50	0.188	N1	3	16.50
	CRX0021BE	1.80	57	10.00	8.00	8.13	7.00	6.50	0.188	N1	2	16.50
22	CRX0022AE	1.28	51	10.00	8.00	8.13	7.00	6.50	0.188	N1	2	16.00
	CRX0022BE	2.14	77	10.00	8.00	8.13	7.00	6.50	0.188	N1	2	17.00
24	CRX0024AE	0.41	35	10.00	8.00	8.13	7.00	6.50	0.188	N1	2	9.50
	CRX0024BE	0.55	68	10.00	8.00	8.13	7.00	6.50	0.188	N1	3	17.00
	CRX0024CE	0.68	47	10.00	8.00	8.13	7.00	6.50	0.188	N1	2	16.00
	CRX0024DE	0.86	60	10.00	8.00	8.13	7.00	6.50	0.188	N1	2	15.50
27	CRX0027AE	1.06	57	10.00	8.00	8.13	7.00	6.50	0.188	N1	3	16.50
	CRX0027BE	0.86	60	10.00	8.00	8.13	7.00	6.50	0.188	N1	2	15.50
	CRX0027CE	1.40	57	10.00	8.00	8.13	7.00	6.50	0.188	N1	3	17.50
	CRX0027DE	1.77	93	14.00	14.00	12.13	10.00	10.50	0.188	N2	3	21.50
31	CRX0031AE	0.32	31	10.00	8.00	8.13	7.00	6.50	0.188	N1	3	15.50
	CRX0031BE	0.32	31	10.00	8.00	8.13	7.00	6.50	0.188	N1	3	15.50
	CRX0031CE	0.55	68	10.00	8.00	8.13	7.00	6.50	0.188	N1	3	17.00
	CRX0031DE	0.68	80	10.00	8.00	8.13	7.00	6.50	0.188	N1	3	17.50
32	CRX0032AE	0.88	68	10.00	8.00	8.13	7.00	6.50	0.188	N1	3	17.00
	CRX0032BE	1.43	80	14.00	14.00	12.13	10.00	10.50	0.188	N2	3	22.50
34	CRX0034AE	0.68	80	10.00	8.00	8.13	7.00	6.50	0.188	N1	3	17.50
	CRX0034BE	1.13	115	14.00	14.00	12.13	10.00	10.50	0.188	N2	3	22.00
35	CRX0035CE	1.70	93	14.00	14.00	12.13	10.00	10.50	0.188	N2	3	34.00
40	CRX0040AE	0.55	68	10.00	8.00	8.13	7.00	6.50	0.188	N1	3	17.00
	CRX0040BE	0.94	105	14.00	14.00	12.13	10.00	10.50	0.188	N2	3	22.50
41	CRX0041AE	0.68	80	10.00	8.00	8.13	7.00	6.50	0.188	N1	3	17.50
	CRX0041BE	1.13	115	14.00	14.00	12.13	10.00	10.50	0.188	N2	3	22.00
45	CRX0045CE	1.20	140	14.00	14.00	12.13	10.00	10.50	0.188	N2	3	34.00
46	CRX0046AE	0.21	40	10.00	8.00	8.13	7.00	6.50	0.188	N1	3	16.00
	CRX0046BE	0.21	40	10.00	8.00	8.13	7.00	6.50	0.188	N1	3	16.00
	CRX0046CE	0.36	60	10.00	8.00	8.13	7.00	6.50	0.188	N1	3	16.50
	CRX0046DE	0.45	130	14.00	14.00	12.13	10.00	10.50	0.188	N2	3	29.00

Note: Please refer to Pages 264 to 269 for enclosure dimensional specifications

All dimensions in inches



## Standard Three Phase Reactor Enclosed Specification Charts

Current (Amps)	Part Number	Inductance (mH)	Watt Loss	Dimensions					Mtg Slot/ Hole Size	Enclosure Style	Termination Style Ref. # (pg 123)	Weight (lb)
				Width	Depth	Height	Mtg. Width	Mtg. Depth				
52	CRX0052AE	0.50	70	14.00	14.00	12.13	10.00	10.50	0.188	N2	3	25.00
	CRX0052BE	0.43	85	14.00	14.00	12.13	10.00	10.50	0.188	N2	3	27.00
	CRX0052CE	0.91	130	14.00	14.00	12.13	10.00	10.50	0.188	N2	3	35.00
	CRX0052DE	0.74	170	14.00	14.00	12.13	10.00	10.50	0.188	N2	3	35.00
59	CRX0059AE	0.17	55	10.00	8.00	8.13	7.00	6.50	0.188	N1	3	16.50
	CRX0059BE	0.22	85	14.00	14.00	12.13	10.00	10.50	0.188	N2	4	28.00
	CRX0059CE	0.30	75	14.00	14.00	12.13	10.00	10.50	0.188	N2	3	26.00
	CRX0059DE	0.36	110	14.00	14.00	12.13	10.00	10.50	0.188	N2	4	35.00
62	CRX0062AE	0.45	130	14.00	14.00	12.13	10.00	10.50	0.188	N2	3	29.00
	CRX0062BE	0.74	170	14.00	14.00	12.13	10.00	10.50	0.188	N2	3	35.00
65	CRX0065AE	0.34	110	14.00	14.00	12.13	10.00	10.50	0.188	N2	4	35.00
	CRX0065BE	0.57	120	14.00	14.00	12.13	10.00	10.50	0.188	N2	4	35.00
75	CRX0075AE	0.12	70	14.00	14.00	12.13	10.00	10.50	0.188	N2	4	27.00
	CRX0075BE	0.19	95	14.00	14.00	12.13	10.00	10.50	0.188	N2	4	28.00
	CRX0075CE	0.22	85	14.00	14.00	12.13	10.00	10.50	0.188	N2	4	28.00
	CRX0075DE	0.29	105	14.00	14.00	12.13	10.00	10.50	0.188	N2	4	31.00
77	CRX0077AE	0.29	105	14.00	14.00	12.13	10.00	10.50	0.188	N2	4	31.00
	CRX0077BE	0.36	110	14.00	14.00	12.13	10.00	10.50	0.188	N2	4	35.00
	CRX0077CE	0.60	216	14.00	14.00	12.13	10.00	10.50	0.188	N2	4	40.00
	CRX0077DE	0.49	160	14.00	14.00	12.13	10.00	10.50	0.188	N2	4	34.00
88	CRX0088AE	0.12	70	14.00	14.00	12.13	10.00	10.50	0.188	N2	4	27.00
	CRX0088BE	0.12	70	14.00	14.00	12.13	10.00	10.50	0.188	N2	4	27.00
	CRX0088CE	0.19	95	14.00	14.00	12.13	10.00	10.50	0.188	N2	4	28.00
	CRX0088DE	0.24	120	14.00	14.00	12.13	10.00	10.50	0.188	N2	4	34.00
96	CRX0096AE	0.24	120	14.00	14.00	12.13	10.00	10.50	0.188	N2	4	34.00
	CRX0096BE	0.39	170	14.00	14.00	12.13	10.00	10.50	0.188	N2	4	59.00
99	CRX0099AE	0.28	125	14.00	14.00	12.13	10.00	10.50	0.188	N2	4	36.00
	CRX0099BE	0.48	210	14.00	14.00	12.13	10.00	10.50	0.188	N2	4	58.00
114	CRX0114AE	0.09	70	14.00	14.00	12.13	10.00	10.50	0.188	N2	5	28.00
	CRX0114BE	0.11	140	14.00	14.00	12.13	10.00	10.50	0.188	N2	5	38.00
	CRX0114CE	0.14	110	14.00	14.00	12.13	10.00	10.50	0.188	N2	5	43.00
	CRX0114DE	0.19	190	23.50	16.50	17.90	22.40	6.50	0.56	CH2	5	83.00
124	CRX0124AE	0.19	190	23.50	16.50	17.90	22.40	6.50	0.56	CH2	5	83.00
	CRX0124BE	0.30	185	14.00	14.00	12.13	10.00	10.50	0.188	N2	5	58.00
125	CRX0125AE	0.23	160	14.00	14.00	12.13	10.00	10.50	0.188	N2	5	51.00
	CRX0125BE	0.38	250	23.50	16.50	17.90	22.40	6.50	0.56	CH2	5	98.00
143	CRX0143AE	0.07	88	14.00	14.00	12.13	10.00	10.50	0.188	N2	5	30.00
	CRX0143BE	0.10	130	14.00	14.00	12.13	10.00	10.50	0.188	N2	5	44.00
	CRX0143CE	0.11	140	14.00	14.00	12.13	10.00	10.50	0.188	N2	5	38.00
	CRX0143DE	0.11	140	14.00	14.00	12.13	10.00	10.50	0.188	N2	5	38.00
144	CRX0144AE	0.19	190	23.50	16.50	17.90	22.40	6.50	0.56	CH2	5	83.00
	CRX0144BE	0.35	240	26.10	20.50	25.90	25.00	6.50	0.56	CH4	5	114.00
156	CRX0156AE	0.15	210	14.00	14.00	12.13	10.00	10.50	0.188	N2	5	42.00
	CRX0156BE	0.24	260	23.50	16.50	17.90	22.40	6.50	0.56	CH2	5	63.00
170	CRX0170AE	0.06	100	14.00	14.00	12.13	10.00	10.50	0.188	N2	5	33.00
	CRX0170BE	0.06	100	14.00	14.00	12.13	10.00	10.50	0.188	N2	5	33.00
	CRX0170CE	0.10	130	14.00	14.00	12.13	10.00	10.50	0.188	N2	5	44.00
	CRX0170DE	0.10	130	14.00	14.00	12.13	10.00	10.50	0.188	N2	5	44.00
180	CRX0180AE	0.13	180	23.50	16.50	17.90	22.40	6.50	0.56	CH2	5	85.00
	CRX0180BE	0.21	250	23.50	16.50	17.90	22.40	6.50	0.56	CH2	5	94.00
192	CRX0192AE	0.15	200	23.50	16.50	17.90	22.40	6.50	0.56	CH2	5	84.00
	CRX0192BE	0.25	325	23.50	16.50	17.90	22.40	6.50	0.56	CH2	5	121.00

Note: Please refer to Pages 264 to 269 for enclosure dimensional specifications

All dimensions in inches



SECTION 3

## Standard Three Phase Reactor Enclosed Specification Charts

Current (Amps)	Part Number	Inductance (mH)	Watt Loss	Dimensions					Mtg Slot/Hole Size	Enclosure Style	Termination Style Ref. # (pg 123)	Weight (lb)
				Width	Depth	Height	Mtg. Width	Mtg. Depth				
200	CRX0200CE	0.11	195	23.50	16.50	17.90	22.40	6.50	0.56	CH2	5	75.00
211	CRX0211AE	0.05	125	14.00	14.00	12.13	10.00	10.50	0.188	N2	5	34.00
	CRX0211BE	0.05	125	14.00	14.00	12.13	10.00	10.50	0.188	N2	5	34.00
	CRX0211CE	0.08	180	23.50	16.50	17.90	22.40	6.50	0.56	CH2	5	70.00
	CRX0211DE	0.10	225	23.50	16.50	17.90	22.40	6.50	0.56	CH2	5	89.00
240	CRX0240AE	0.10	225	23.50	16.50	17.90	22.40	6.50	0.56	CH2	5	89.00
	CRX0240BE	0.16	435	26.10	20.50	25.90	25.00	6.50	0.56	CH4	5	195.00
242	CRX0242AE	0.12	275	23.50	16.50	17.90	22.40	6.50	0.56	CH2	5	90.00
	CRX0242BE	0.20	360	26.10	20.50	25.90	25.00	6.50	0.56	CH4	5	127.00
273	CRX0273AE	0.04	130	23.50	16.50	17.90	22.40	6.50	0.56	CH2	5	74.00
	CRX0273BE	0.04	130	23.50	16.50	17.90	22.40	6.50	0.56	CH2	5	74.00
	CRX0273CE	0.06	200	26.10	20.50	25.90	25.00	6.50	0.56	CH4	5	107.00
	CRX0273DE	0.08	310	26.10	20.50	25.90	25.00	6.50	0.56	CH4	5	124.00
289	CRX0289AE	0.10	290	26.10	20.50	25.90	25.00	6.50	0.56	CH4	5	115.00
	CRX0289BE	0.16	435	26.10	20.50	25.90	25.00	6.50	0.56	CH4	5	195.00
302	CRX0302AE	0.08	310	26.10	20.50	25.90	25.00	6.50	0.56	CH4	5	124.00
	CRX0302BE	0.13	475	26.10	20.50	25.90	25.00	6.50	0.56	CH4	5	211.00
336	CRX0336AE	0.08	360	26.10	20.50	25.90	25.00	6.50	0.56	CH4	5	150.00
	CRX0336BE	0.13	475	26.10	20.50	25.90	25.00	6.50	0.56	CH4	5	211.00
343	CRX0343AE	0.03	200	26.10	20.50	25.90	25.00	6.50	0.56	CH4	5	97.00
	CRX0343BE	0.03	200	26.10	20.50	25.90	25.00	6.50	0.56	CH4	5	97.00
	CRX0343CE	0.05	230	26.10	20.50	25.90	25.00	6.50	0.56	CH4	5	106.00
	CRX0343DE	0.06	325	26.10	20.50	25.90	25.00	6.50	0.56	CH4	5	135.00
361	CRX0361AE	0.06	325	26.10	20.50	25.90	25.00	6.50	0.56	CH4	5	135.00
	CRX0361BE	0.10	445	28.10	21.30	28.90	27.00	6.50	0.56	CH5	5	203.00
382	CRX0382AE	0.07	435	28.10	21.30	28.90	27.00	6.50	0.56	CH5	5	172.00
	CRX0382BE	0.12	580	28.10	21.30	28.90	27.00	6.50	0.56	CH5	5	236.00
396	CRX0396AE	0.03	200	26.10	20.50	25.90	25.00	6.50	0.56	CH4	5	97.00
	CRX0396BE	0.03	200	26.10	20.50	25.90	25.00	6.50	0.56	CH4	5	97.00
	CRX0396CE	0.04	300	26.10	20.50	25.90	25.00	6.50	0.56	CH4	5	132.00
	CRX0396DE	0.04	300	26.10	20.50	25.90	25.00	6.50	0.56	CH4	5	132.00
412	CRX0412AE	0.07	435	28.10	21.30	28.90	27.00	6.50	0.56	CH5	5	172.00
	CRX0412BE	0.11	550	28.10	21.30	28.90	27.00	6.50	0.56	CH5	5	202.00
414	CRX0414AE	0.06	400	28.10	21.30	28.90	27.00	6.50	0.56	CH5	5	181.00
	CRX0414BE	0.08	505	28.10	21.30	28.90	27.00	6.50	0.56	CH5	5	199.00
472	CRX0472AE	0.06	400	28.10	21.30	28.90	27.00	6.50	0.56	CH5	5	181.00
	CRX0472BE	0.10	560	28.10	21.30	28.90	27.00	6.50	0.56	CH5	5	227.00
477	CRX0477AE	0.05	420	33.50	23.00	31.20	32.50	9.00	0.56	CH6	6	231.00
	CRX0477BE	0.08	600	33.50	23.00	31.20	32.50	9.00	0.56	CH6	6	306.00
515	CRX0515AE	0.05	420	33.50	23.00	31.20	32.50	9.00	0.56	CH6	6	231.00
	CRX0515BE	0.08	600	33.50	23.00	31.20	32.50	9.00	0.56	CH6	6	306.00
528	CRX0528AE	0.02	220	28.10	21.30	28.90	27.00	6.50	0.56	CH5	6	130.00
	CRX0528BE	0.02	220	28.10	21.30	28.90	27.00	6.50	0.56	CH5	6	130.00
	CRX0528CE	0.03	355	28.10	21.30	28.90	27.00	6.50	0.56	CH5	6	158.00
	CRX0528DE	0.04	495	28.10	21.30	28.90	27.00	6.50	0.56	CH5	6	189.00
590	CRX0590AE	0.04	495	28.10	21.30	28.90	27.00	6.50	0.56	CH5	6	189.00
	CRX0590BE	0.06	680	33.50	23.00	31.20	32.50	9.00	0.56	CH6	6	306.00
720	CRX0720AE	0.03	480	33.50	23.00	31.20	32.50	9.00	0.56	CH6	6	231.00
840	CRX0840AE	0.03	570	33.50	23.00	31.20	32.50	9.00	0.56	CH6	6	236.00
960	CRX0960AE	0.02	675	33.50	23.00	31.20	32.50	9.00	0.56	CH6	7	356.00
1080	CRX1080AE	0.02	675	33.50	23.00	31.20	32.50	9.00	0.56	CH6	7	356.00
1200	CRX1200AE	0.02	710	33.50	23.00	31.20	32.50	9.00	0.56	CH6	7	336.00

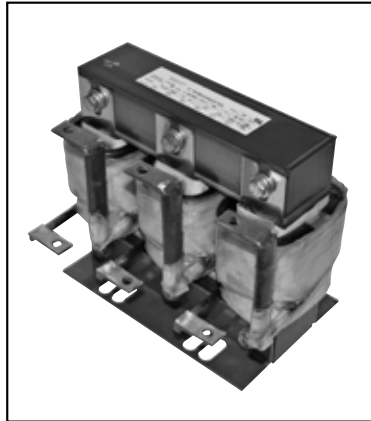
Note: Please refer to Pages 264 to 269 for enclosure dimensional specifications

All dimensions in inches



## RM Series REACTORS

### SINGLE AND THREE PHASE STANDARD SPECIFICATIONS



SECTION 3

	Core and Coil	Enclosed
<b>System Voltage</b>	1.2kV Class	1.2kV Class
<b>UL Listed</b>	File: E61431	File: E61431
<b>CSA Certified</b>	File: LR3902	File: LR3902
<b>Ratings</b>	Nominal Inductance +/- 10% @ rated current 95% of nominal inductance @ 150% rated current 50% of nominal inductance @ 350% of rated current	Nominal Inductance +/- 10% @ rated current 95% of nominal inductance @ 150% rated current 50% of nominal inductance @ 350% of rated current
<b>Frequency</b>	60 Hz	60 Hz
<b>Insulation System</b>	200°C temperature class up to 160 amps 220°C temperature class over 160 amps	80°C for 130 °C Temperature Insulation Class
<b>Enclosure Type</b>	N/A	Type 1 (optional Type 3R available)
<b>Enclosure Finish</b>	N/A	ANSI 61 Grey, UL50
<b>Termination</b>	Terminal blocks are provided on select model ranges, and terminal pads are supplied on higher current ratings.	Terminal blocks are provided on select model ranges, and terminal pads are supplied on higher current ratings.
<b>Impedance</b>	Typically 3% and 5%	Typically 3% and 5%
<b>Mounting</b>	Floor mounting available on all units. Wall and ceiling mounting available on units up to 200 lbs.	Floor mounting available on all units. Wall and ceiling mounting available on enclosure style N1, N2, NH5 and NH6.
<b>Sound Level</b>	Meets NEMA ST-20 standards	Meets NEMA ST-20 standards

# RM Series Line Reactor Selection Tables

**Line Reactor Part Number Guide**

**RM 0002 M 32 \***

- RM: In-Line Reactor
- 0002: 4 digits for current rating
- M: Inductance Value (XX.mH)
- 32: Inductance Value (0.XX.mH or XX.0.uH)
- \*: Further suffix to follow. Add suffix "E" for Enclosure.

The inductance value is preceded with a letter to designate the position of the decimal point to determine the inductance. The letters are as follows:

- 'M' XX.mH
- 'N' XX.mH
- 'P' 0.XX.mH
- 'U' .0XX.mH or XX.0.uH

Example: M32 is 32.0 mH

**Note:** As all characters of the P/N represent performance values of the reactor, P/N's are not completely sequential. They are sorted by current rating.

\* Add the Suffix "E" to the standard part number for an Enclosed unit.

HP Rating	240 Volt - 60 Hz			
	3% Impedance		5% Impedance	
	P/N	Amps	P/N	Amps
0.5	RM0004N65	4	RM0004M12	4
1	RM0004N30	4	RM0004N65	4
1.5	RM0008N30	8	RM0008N50	8
2	RM0008N15	8	RM0008N30	8
3	RM0012N13	12	RM0012N25	12
5	RM0018P80	18	RM0018N15	18
7.5	RM0025P50	25	RM0025N12	25
10	RM0035P40	35	RM0035P80	35
15	RM0045P30	45	RM0055P50	55
20	RM0055P25	55	RM0055P50	55
25	RM0080P20	80	RM0080P40	80
30	RM0080P20	80	RM0080P23	80
40	RM0130P10	130	RM0110P18	110
50	RM0130P10	130	RM0130P20	130
60	RM0160U75	160	RM0160P15	160
75	RM0200U55	200	RM0200P11	200
100	RM0250U45	250	RM0250U90	250
125	RM0320U40	320	RM0320U75	320
150	RM0400U30	400	RM0400U61	400
200	RM0500U25	500	RM0500U50	500
250	RM0600U20	600	RM0600U40	600
300	RM0750U15	750	RM0750U25	750
350	RM0900U13	900	RM0900U26	900
400	RM1000U11	1000	RM1000U18	1000
500	RM1200U10	1200	RM1200U15	1200

HP Rating	480 Volt - 60 Hz			
	3% Impedance		5% Impedance	
	P/N	Amps	P/N	Amps
1	RM0002M12	2	RM0002M20	2
1.5	RM0004N91	4	RM0004M12	4
2	RM0004N65	4	RM0004M12	4
3	RM0008N50	8	RM0008N75	8
5	RM0008N30	8	RM0008N50	8
7.5	RM0012N25	12	RM0012N42	12
10	RM0018N15	18	RM0018N25	18
15	RM0025N12	25	RM0025N20	25
20	RM0035P80	35	RM0035N17	35
25	RM0035P80	35	RM0035N12	35
30	RM0045P70	45	RM0045N12	45
40	RM0055P50	55	RM0055P85	55
50	RM0080P40	80	RM0080P70	80
60	RM0080P40	80	RM0080P70	80
75	RM0110P30	110	RM0110P45	110
100	RM0130P20	130	RM0130P30	130
125	RM0160P15	160	RM0160P23	160
150	RM0200P11	200	RM0200P24	200
200	RM0250U90	250	RM0250P15	250
250	RM0320U75	320	RM0320P13	320
300	RM0400U61	400	RM0400P11	400
350	RM0500U50	500	RM0500U85	500
400	RM0500U50	500	RM0500U85	500
500	RM0600U40	600	RM0600U65	600
600	RM0750U36	750	RM0750U60	750
700	RM0900U26	900	RM0900U43	900
800	RM1000U29	1000	RM1000U38	1000
1000	RM1200U18	1200	RM1200U30	1200

HP Rating	600 Volt - 60 Hz			
	3% Impedance		5% Impedance	
	P/N	Amps	P/N	Amps
1	RM0002M20	2	RM0002M32	2
1.5	RM0002M12	2	RM0002M20	2
2	RM0004M12	4	RM0004M22	4
3	RM0004N91	4	RM0004M12	4
5	RM0008N50	8	RM0008N75	8
7.5	RM0012N31	12	RM0012N51	12
10	RM0012N25	12	RM0012N42	12
15	RM0018N15	18	RM0018N25	18
20	RM0025N12	25	RM0025N20	25
25	RM0035N12	35	RM0035N17	35
30	RM0035P80	35	RM0035N17	35
40	RM0045P70	45	RM0045N12	45
50	RM0055P50	55	RM0055P85	55
60	RM0080P40	80	RM0080P70	80
75	RM0080P40	80	RM0080P70	80
100	RM0110P30	110	RM0110P45	110
125	RM0130P20	130	RM0130P37	130
150	RM0160P23	160	RM0160P32	160
200	RM0200P19	200	RM0200P24	200
250	RM0250P15	250	RM0250P19	250
300	RM0320U96	320	RM0320P16	320
350	RM0400U82	400	RM0400P14	400
400	RM0400U82	400	RM0400P14	400
500	RM0500U57	500	RM0500U96	500
600	RM0600U65	600	RM0600U80	600
700	RM0700U41	700	RM0700U68	700
800	RM0750U36	750	RM0750U60	750
900	RM0900U32	900	RM0900U53	900
1000	RM1000U29	1000	RM1000U48	1000
1200	RM1200U24	1200	RM1200U40	1200



HP Rating	525 Volt - 50 Hz			
	3% Impedance		5% Impedance	
	P/N	Amps	P/N	Amps
1	RM0002M20	2	RM0002M32	2
1.5	RM0002M12	2	RM0002M20	2
2	RM0004M12	4	RM0004M22	4
3	RM0004N65	4	RM0004M12	4
5	RM0008N50	8	RM0008N75	8
7.5	RM0012N31	12	RM0012N51	12
10	RM0012N25	12	RM0012N42	12
15	RM0018N15	18	RM0018N25	18
20	RM0025N12	25	RM0025N20	25
25	RM0035N12	35	RM0035N17	35
30	RM0035P80	35	RM0035N17	35
40	RM0045P70	45	RM0045N12	45
50	RM0055P50	55	RM0055P85	55
60	RM0080P40	80	RM0080P70	80
75	RM0080P40	80	RM0080P70	80
100	RM0110P30	110	RM0110P45	110
125	RM0130P20	130	RM0130P37	130
150	RM0160P23	160	RM0160P32	160
200	RM0200P19	200	RM0200P24	200
250	RM0250P15	250	RM0250P19	250
300	RM0320U96	320	RM0320P16	320
350	RM0400U82	400	RM0400P14	400
400	RM0400U82	400	RM0400P14	400
500	RM0500U57	500	RM0500U96	500
600	RM0600U65	600	RM0600U80	600
700	RM0700U41	700	RM0700U68	700
800	RM0750U36	750	RM0750U60	750
900	RM0900U32	900	RM0900U53	900
1000	RM1000U29	1000	RM1000U48	1000
1200	RM1200U24	1200	RM1200U40	1200

HP Rating	660 Volt - 50 Hz			
	3% Impedance		5% Impedance	
	P/N	Amps	P/N	Amps
1	RM0002M32	2	Consult Factory	2
1.5	RM0002M20	2	RM0002M32	2
2	RM0004M22	4	Consult Factory	4
3	RM0004M12	4	RM0004M22	4
5	RM0008N75	8	Consult Factory	8
7.5	RM0008N50	8	RM0008N75	8
10	RM0012N42	12	Consult Factory	12
15	RM0018N25	18	Consult Factory	18
20	RM0025N20	25	Consult Factory	25
25	RM0025N20	25	Consult Factory	25
30	RM0035N17	35	Consult Factory	35
40	RM0035N12	35	RM0035N17	35
50	RM0055P85	55	Consult Factory	55
60	RM0055P85	55	Consult Factory	55
75	RM0080P70	80	Consult Factory	80
100	RM0080P40	80	RM0080P70	80
125	RM0110P45	110	Consult Factory	110
150	RM0130P30	130	Consult Factory	130
200	RM0160P23	160	Consult Factory	160
250	RM0200P19	200	Consult Factory	200
300	RM0250P15	250	Consult Factory	250
350	RM0320P13	320	Consult Factory	320
400	RM0320P13	320	Consult Factory	320
500	RM0400U82	400	RM0400P14	400
600	RM0500U85	500	Consult Factory	500
700	RM0600U65	600	Consult Factory	600
800	RM0700U68	700	Consult Factory	700
900	RM0750U60	750	Consult Factory	750
1000	RM0900U43	900	Consult Factory	900
1200	RM1000U38	1000	Consult Factory	1000

HP Rating	690 Volt - 50 Hz			
	3% Impedance		5% Impedance	
	P/N	Amps	P/N	Amps
1	RM0002M32	2	Consult Factory	2
1.5	RM0002M20	2	Consult Factory	2
2	RM0002M20	2	RM0002M32	2
3	RM0004M12	4	RM0004M22	4
5	RM0008N75	8	Consult Factory	8
7.5	RM0008N50	8	Consult Factory	8
10	RM0012N42	12	Consult Factory	12
15	RM0018N25	18	Consult Factory	18
20	RM0018N25	18	Consult Factory	18
25	RM0025N20	25	Consult Factory	25
30	RM0035N17	35	Consult Factory	35
40	RM0035N12	35	Consult Factory	35
50	RM0045N12	45	Consult Factory	45
60	RM0055P85	55	Consult Factory	55
75	RM0080P70	80	Consult Factory	80
100	RM0080P40	80	Consult Factory	80
125	RM0110P45	110	Consult Factory	110
150	RM0130P30	130	Consult Factory	130
200	RM0160P23	160	Consult Factory	160
250	RM0200P19	200	Consult Factory	200
300	RM0250P19	250	Consult Factory	250
350	RM0320P16	320	Consult Factory	320
400	RM0320P13	320	Consult Factory	320
500	RM0400P11	400	Consult Factory	400
600	RM0500U85	500	Consult Factory	500
700	RM0600U65	600	Consult Factory	600
800	RM0600U65	600	Consult Factory	600
900	RM0700U68	700	Consult Factory	700
1000	RM0750U60	750	Consult Factory	750
1200	RM0900U43	900	Consult Factory	900



## Standard Three Phase Line Reactor Core & Coil Specification Charts

Current (Amps)	Part Number	Inductance (mH)	Watts Loss	Dimensions					Mtg Slot/ Hole Size	Dim. Fig. # (Page 125)	Weight (Lbs.)
				W	D	H	Mtg. W	Mtg. D			
2	RM0002M12	12.0	7	4.40	2.83	3.33	1.44/2.56	1.77	.281 x .625	1	2
	RM0002M20	20.0	9	4.40	2.83	3.33	1.44/2.56	1.77	.281 x .625	1	3
	RM0002M32	32.0	13	4.40	2.83	3.33	1.44/2.56	1.77	.281 x .625	1	3
4	RM0004M12	12.0	21	4.40	3.33	3.33	1.44/2.56	2.37	.281 x .625	1	4
	RM0004M22	22.0	25	6.00	3.30	4.80	2.00/3.00	2.09	.281 x .625	3	8
	RM0004N30	3.00	7	4.40	2.83	3.33	1.44/2.56	1.77	.281 x .625	1	2
	RM0004N65	6.50	13	4.40	2.83	3.33	1.44/2.56	1.77	.281 x .625	1	3
	RM0004N91	9.10	15	4.40	3.33	3.33	1.44/2.56	2.37	.281 x .625	1	3
8	RM0008N15	1.50	11	4.40	2.83	3.33	2.00	1.77	.281 x .625	1	3
	RM0008N30	3.00	25	4.40	2.83	3.33	2.00	1.77	.281 x .625	1	3
	RM0008N50	5.00	31	4.40	3.33	3.33	2.00	2.37	.281 x .625	1	4
	RM0008N75	7.50	31	6.00	3.55	4.80	2.00/3.00	2.34	.281 x .625	3	9
12	RM0012N13	1.30	23	4.40	2.83	3.33	2.00	1.77	.281 x .625	1	3
	RM0012N25	2.50	26	6.00	3.30	4.80	2.00/3.00	2.09	.281 x .625	3	8
	RM0012N31	3.10	30	6.00	3.55	4.80	2.00/3.00	2.34	.281 x .625	3	9
	RM0012N42	4.20	34	6.00	3.80	4.80	2.00/3.00	2.59	.281 x .625	3	10
	RM0012N51	5.10	39	6.05	3.80	4.80	2.00/3.00	2.59	.281 x .625	3	13
18	RM0018N15	1.50	29	6.00	3.55	4.80	2.00/3.00	2.34	.281 x .625	3	9
	RM0018N25	2.50	40	6.00	3.84	4.80	2.00/3.00	2.84	.281 x .625	2	13
	RM0018P80	0.80	19	6.00	3.30	4.80	2.00/3.00	2.09	.281 x .625	3	7
25	RM0025N12	1.20	44	6.10	3.84	5.70	2.00/3.00	2.34	.281 x .625	2	10
	RM0025N20	2.00	59	7.15	3.75	5.60	3.00	2.87	.38 x .63	3	18
	RM0025P50	0.50	23	6.00	3.84	5.70	2.00/3.00	2.09	.281 x .625	2	7
35	RM0035N12	1.20	75	8.50	4.37	6.88	3.00/4.20	3.12	.44 X 1.00	3	26
	RM0035N17	1.70	90	8.60	4.87	6.93	3.00/4.20	3.62	.44 X 1.00	3	35
	RM0035P40	0.40	36	6.00	3.34	5.70	2.00/3.00	2.34	.281 x .625	2	9
	RM0035P80	0.80	51	7.00	3.75	5.61	3.00	2.87	.38 x .63	3	17
45	RM0045N12	1.20	100	8.50	4.37	6.88	3.00/4.20	3.62	.44 X 1.00	3	35
	RM0045P30	0.30	33	6.00	3.84	5.70	2.00/3.00	2.84	.281 x .625	2	13
	RM0045P70	0.70	64	6.90	4.45	5.60	3.00	3.37	.38 x .63	3	22
55	RM0055P25	0.25	39	6.05	3.84	5.70	2.00/3.00	2.84	.281 x .625	2	12
	RM0055P50	0.50	75	8.50	4.37	6.88	3.00/4.20	3.12	.44 X 1.00	3	26
	RM0055P85	0.85	110	8.50	4.87	6.95	3.00/4.20	3.62	.44 X 1.00	3	35
80	RM0080P20	0.20	88	8.50	4.37	6.88	3.00/4.20	3.12	.44 X 1.00	4	26
	RM0080P23	0.23	70	8.50	4.87	6.88	3.00/4.20	3.62	.44 X 1.00	4	33
	RM0080P40	0.40	138	9.40	5.94	6.95	3.00/4.20	3.62	.44 X 1.00	4	36
	RM0080P70	0.70	140	10.50	5.85	8.35	3.60/4.80	4.23	.44 X 1.25	4	63
110	RM0110P15	0.15	86	8.50	5.44	6.88	3.00/4.20	3.12	.44 X 1.00	4	27
	RM0110P18	0.18	95	8.50	4.87	6.88	3.00/4.20	3.62	.44 X 1.00	4	35
	RM0110P30	0.30	123	10.70	5.85	8.35	3.60/4.80	4.23	.44 X 1.25	4	52
	RM0110P45	0.45	130	10.50	5.85	8.29	3.60/4.80	4.23	.44 X 1.25	4	63
130	RM0130P10	0.10	95	8.50	5.44	6.88	3.00/4.20	3.12	.44 X 1.00	4	27
	RM0130P20	0.20	115	10.70	6.20	8.35	3.60/4.80	3.73	.44 X 1.25	4	41
	RM0130P30	0.30	142	10.70	5.85	8.29	3.60/4.80	4.23	.44 X 1.25	4	53
	RM0130P37	0.37	143	10.70	6.35	8.32	3.60/4.80	4.73	.44 X 1.25	4	75
160	RM0160P15	0.15	129	10.50	6.20	8.31	3.60/4.80	3.73	.44 X 1.25	4	46
	RM0160P23	0.23	142	10.90	6.35	8.29	3.60/4.80	4.73	.44 X 1.25	4	66
	RM0160P32	0.32	141	10.50	8.35	8.29	3.60/4.80	6.73	.44 X 1.25	4	104
	RM0160U75	0.08	100	8.50	5.44	6.91	3.00/4.20	3.12	.44 X 1.00	4	29

All dimensions in inches





## Standard Three Phase Line Reactor Core & Coil Specification Charts

Current (Amps)	Part Number	Inductance (mH)	Watts Loss	Dimensions					Mtg Slot/ Hole Size	Dim. Fig. # (Page 125)	Weight (Lbs.)
				W	D	H	Mtg. W	Mtg. D			
200	RM0200P11	0.11	114	10.50	7.53	8.35	3.60/4.80	4.48	.44 X 1.25	4	52
	RM0200P19	0.190	138	10.50	9.53	8.29	3.60/4.80	6.23	.44 X 1.25	4	93
	RM0200P24	0.240	164	10.50	8.35	8.29	3.60/4.80	6.73	.44 X 1.25	4	105
	RM0200U55	0.055	89	8.50	5.94	7.05	3.00/4.20	3.62	.44 X 1.00	4	37
250	RM0250P15	0.150	188	13.75	9.00	11.43	4.80	5.44	.44 X 1.00	5	119
	RM0250P19	0.190	203	13.75	7.25	11.43	4.80	5.94	.44 X 1.00	5	137
	RM0250U45	0.045	90	10.50	5.35	8.31	3.60/4.80	3.73	.44 X 1.25	4	40
	RM0250U90	0.090	131	10.50	8.75	8.35	3.60/4.80	4.73	.44 X 1.25	4	65
320	RM0320P13	0.13	245	13.75	7.75	11.43	4.80	6.44	.44 X 1.00	5	127
	RM0320P16	0.160	270	13.75	8.25	11.43	4.80	6.44	.44 X 1.00	5	146
	RM0320U40	0.040	94	10.50	6.85	8.29	3.60/4.80	5.23	.44 X 1.25	4	69
	RM0320U75	0.075	184	13.75	8.44	11.43	4.80	5.94	.44 X 1.00	5	87
	RM0320U96	0.096	214	13.75	6.25	11.43	4.80	4.93	.44 X 1.00	5	107
400	RM0400P11	0.11	278	13.75	7.75	11.43	4.80	6.44	.44 X 1.00	5	156
	RM0400P14	0.14	305	18.00	11.00	14.00	6.00	8.25	0.563	6	253
	RM0400U30	0.030	130	10.50	8.53	8.29	3.60/4.80	4.73	.44 X 1.25	4	61
	RM0400U61	0.061	177	13.75	8.69	11.43	4.80	5.44	.44 X 1.00	5	115
	RM0400U82	0.082	210	13.75	7.75	11.43	4.80	6.44	.44 X 1.00	5	148
500	RM0500U25	0.025	152	13.75	7.75	11.43	4.80	6.44	.44 X 1.00	5	100
	RM0500U50	0.05	196	13.75	9.69	11.43	4.80	6.44	.44 X 1.00	5	151
	RM0500U57	0.057	217	13.75	9.63	11.43	4.80	6.94	.44 X 1.00	5	168
	RM0500U85	0.085	280	13.75	9.75	11.43	4.80	8.44	.44 X 1.00	5	225
	RM0500U96	0.096	317	22.00	15.50	20.50	6.00	8.75	0.75	6	282
600	RM0600U20	0.020	147	13.75	8.25	11.43	4.80	6.56	.44 X 1.00	5	115
	RM0600U40	0.040	223	13.75	8.25	11.43	4.80	6.94	.44 X 1.00	5	177
	RM0600U65	0.065	290	13.75	9.75	11.43	4.80	8.44	.44 X 1.00	5	230
	RM0600U80	0.080	340	22.50	12.63	20.50	7.50	8.75	0.75	6	310
700	RM0700U41	0.041	276	22.50	13.00	20.25	6.00	8.25	0.56	6	240
	RM0700U68	0.068	400	22.50	14.25	22.00	7.50	9.75	0.75	6	403
750	RM0750U15	0.015	209	18.00	8.25	14.00	6.00	6.25	0.563	6	159
	RM0750U25	0.025	250	18.00	9.25	14.00	6.00	7.25	0.563	6	184
	RM0750U36	0.036	293	18.00	9.75	14.00	6.00	7.75	0.563	6	236
	RM0750U60	0.060	415	22.50	13.50	20.75	7.50	8.25	0.75	6	403
900	RM0900U13	0.013	216	18.00	12.00	14.00	6.00	7.25	0.56	6	159
	RM0900U26	0.026	286	18.00	13.00	14.00	6.00	8.25	0.56	6	259
	RM0900U32	0.032	400	18.00	13.63	14.00	6.00	10.25	0.75	6	340
	RM0900U43	0.043	441	22.50	14.00	20.50	7.50	8.75	0.75	6	434
	RM0900U53	0.053	490	22.50	13.75	21.50	7.50	10.25	0.75	6	546
1000	RM1000U11	0.011	179	18.00	12.50	18.00	6.00	9.25	0.75	6	200
	RM1000U18	0.018	232	22.50	13.75	20.50	7.50	11	0.75	6	282
	RM1000U29	0.029	377	22.50	13.75	20.50	7.50	7.25	0.75	6	394
	RM1000U38	0.038	416	22.50	14.00	20.50	7.50	10.25	0.56	6	450
	RM1000U48	0.048	490	22.50	15.00	20.50	7.50	11.25	0.75	6	642
1200	RM1200U10	0.010	228	18.00	13.50	14.00	6.00	8.25	0.563	6	205
	RM1200U15	0.015	287	18.00	14.00	18.50	6.00	10.75	0.75	6	300
	RM1200U18	0.018	395	18.00	14.25	18.38	7.50	8.25	0.75	6	343
	RM1200U24	0.024	440	22.50	14.00	21.25	7.50	9.25	0.75	6	444
	RM1200U30	0.030	490	22.50	14.00	17.00	7.50	10.25	0.75	6	534
	RM1200U40	0.040	576	22.50	17.00	19.50	7.50	11.75	0.563	6	600

All dimensions in inches



## Standard Three Phase Line Reactor Enclosed Specification Charts

Current (Amps)	Part Number	Inductance (mH)	Watts Loss	Dimensions					Mtg Slot/ Hole Size	Dim. Fig. # (Page 125)	Case Style	Enclosed Weight (Lbs.)
				W	D	H	Mtg. W	Mtg. D				
2	RM0002M12E	12.0	7	10.00	8.00	8.00	7.00	6.50	0.188	1	N1	9
	RM0002M20E	20.0	9	10.00	8.00	8.00	7.00	6.50	0.188	1	N1	10
	RM0002M32E	32.0	13	10.00	8.00	8.00	7.00	6.50	0.188	1	N1	10
4	RM0004M12E	12.0	21	10.00	8.00	8.00	7.00	6.50	0.188	1	N1	11
	RM0004M22E	22.0	25	10.00	8.00	8.00	7.00	6.50	0.188	3	N1	15
	RM0004N30E	3.00	7	10.00	8.00	8.00	7.00	6.50	0.188	1	N1	9
	RM0004N65E	6.50	13	10.00	8.00	8.00	7.00	6.50	0.188	1	N1	10
	RM0004N91E	9.10	15	10.00	8.00	8.00	7.00	6.50	0.188	1	N1	10
8	RM0008N15E	1.50	11	10.00	8.00	8.00	7.00	6.50	0.188	1	N1	10
	RM0008N30E	3.00	25	10.00	8.00	8.00	7.00	6.50	0.188	1	N1	10
	RM0008N50E	5.00	31	10.00	8.00	8.00	7.00	6.50	0.188	1	N1	11
	RM0008N75E	7.50	31	10.00	8.00	8.00	7.00	6.50	0.188	3	N1	16
12	RM0012N13E	1.30	23	10.00	8.00	8.00	7.00	6.50	0.188	1	N1	10
	RM0012N25E	2.50	26	10.00	8.00	8.00	7.00	6.50	0.188	3	N1	15
	RM0012N31E	3.10	30	10.00	8.00	8.00	7.00	6.50	0.188	3	N1	16
	RM0012N42E	4.20	34	10.00	8.00	8.00	7.00	6.50	0.188	3	N1	17
	RM0012N51E	5.10	39	10.00	8.00	8.00	7.00	6.50	0.188	3	N1	20
18	RM0018N15E	1.50	29	10.00	8.00	8.00	7.00	6.50	0.188	3	N1	16
	RM0018N25E	2.50	40	10.00	8.00	8.00	7.00	6.50	0.188	2	N1	20
	RM0018P80E	0.80	19	10.00	8.00	8.00	7.00	6.50	0.188	3	N1	14
25	RM0025N12E	1.20	44	10.00	8.00	8.00	7.00	6.50	0.188	2	N1	17
	RM0025N20E	2.00	59	14.00	14.00	12.00	10.00	10.50	0.188	3	N2	35
	RM0025P50E	0.50	23	10.00	8.00	8.00	7.00	6.50	0.188	2	N1	14
35	RM0035N12E	1.20	75	14.00	14.00	12.00	10.00	10.50	0.188	3	N2	43
	RM0035N17E	1.70	90	14.00	14.00	12.00	10.00	10.50	0.188	3	N2	52
	RM0035P40E	0.40	36	10.00	8.00	8.00	7.00	6.50	0.188	2	N1	16
	RM0035P80E	0.80	51	14.00	14.00	12.00	10.00	10.50	0.188	3	N2	24
45	RM0045N12E	1.20	100	14.00	14.00	12.00	10.00	10.50	0.188	3	N2	52
	RM0045P30E	0.30	33	10.00	8.00	8.00	7.00	6.50	0.188	2	N1	20
	RM0045P70E	0.70	64	14.00	14.00	12.00	10.00	10.50	0.188	3	N2	39
55	RM0055P25E	0.25	39	10.00	8.00	8.00	7.00	6.50	0.188	2	N1	19
	RM0055P50E	0.50	75	14.00	14.00	12.00	10.00	10.50	0.188	3	N2	43
	RM0055P85E	0.85	110	14.00	14.00	12.00	10.00	10.50	0.188	3	N2	52
80	RM0080P20E	0.20	88	14.00	14.00	12.00	10.00	10.50	0.188	4	N2	43
	RM0080P23E	0.23	70	14.00	14.00	12.00	10.00	10.50	0.188	4	N2	50
	RM0080P40E	0.40	138	14.00	14.00	12.00	10.00	10.50	0.188	4	N2	53
	RM0080P70E	0.70	140	14.00	14.00	12.00	10.00	10.50	0.188	4	N2	80
110	RM0110P15E	0.15	86	14.00	14.00	12.00	10.00	10.50	0.188	4	N2	44
	RM0110P18E	0.18	95	14.00	14.00	12.00	10.00	10.50	0.188	4	N2	52
	RM0110P30E	0.30	123	14.00	14.00	12.00	10.00	10.50	0.188	4	N2	69
	RM0110P45E	0.45	130	14.00	14.00	12.00	10.00	10.50	0.188	4	N2	80
130	RM0130P10E	0.10	95	14.00	14.00	12.00	10.00	10.50	0.188	4	N2	44
	RM0130P20E	0.20	115	14.00	14.00	12.00	10.00	10.50	0.188	4	N2	58
	RM0130P30E	0.30	142	14.00	14.00	12.00	10.00	10.50	0.188	4	N2	70
	RM0130P37E	0.37	143	14.00	14.00	12.00	10.00	10.50	0.188	4	N2	92
160	RM0160P15E	0.15	129	14.00	14.00	12.00	10.00	10.50	0.188	4	N2	63
	RM0160P23E	0.23	142	14.00	14.00	12.00	10.00	10.50	0.188	4	N2	83
	RM0160P32E	0.32	141	23.90	25.00	28.75	22.75	9.00	0.56	4	NH6	164
	RM0160U75E	0.08	100	14.00	14.00	12.00	10.00	10.50	0.188	4	N2	46

Note: Please refer to Pages 264 to 269 for enclosure dimensional specifications

All dimensions in inches



## Standard Three Phase Line Reactor Enclosed Specification Charts

Current (Amps)	Part Number	Inductance (mH)	Watts Loss	Dimensions					Mtg Slot/ Hole Size	Dim. Fig. # (Page 125)	Case Style	Enclosed Weight (Lbs.)
				W	D	H	Mtg. W	Mtg. D				
200	RM0200P11E	0.11	114	23.90	25.00	28.75	22.75	9.00	0.56	4	NH6	112
	RM0200P19E	0.190	138	23.90	25.00	28.75	22.75	9.00	0.56	4	NH6	153
	RM0200P24E	0.240	164	19.40	20.20	21.50	18.00	9.00	0.56	4	NH5	165
	RM0200U55E	0.055	89	14.00	14.00	12.00	10.00	10.50	0.188	4	N2	154
250	RM0250P15E	0.150	188	23.90	25.00	28.75	22.75	9.00	0.56	5	NH6	179
	RM0250P19E	0.190	203	23.90	25.00	28.75	22.75	9.00	0.56	5	NH6	197
	RM0250U45E	0.045	90	23.90	25.00	28.75	22.75	9.00	0.56	4	NH6	100
	RM0250U90E	0.090	131	23.90	25.00	28.75	22.75	9.00	0.56	4	NH6	125
320	RM0320P13E	0.13	245	23.90	25.00	28.75	22.75	9.00	0.56	5	NH6	187
	RM0320P16E	0.160	270	23.90	25.00	28.75	22.75	9.00	0.56	5	NH6	206
	RM0320U40E	0.040	94	23.90	25.00	28.75	22.75	9.00	0.56	4	NH6	129
	RM0320U75E	0.075	184	23.90	25.00	28.75	22.75	9.00	0.56	5	NH6	147
	RM0320U96E	0.096	214	23.90	25.00	28.75	22.75	9.00	0.56	5	NH6	167
400	RM0400P11E	0.11	278	23.90	25.00	28.75	22.75	9.00	0.56	5	NH6	216
	RM0400P14E	0.14	305	23.90	25.00	28.75	22.75	9.00	0.56	6	NH6	313
	RM0400U30E	0.030	130	23.90	25.00	28.75	22.75	9.00	0.56	4	NH6	121
	RM0400U61E	0.061	177	23.90	25.00	28.75	22.75	9.00	0.56	5	NH6	175
	RM0400U82E	0.082	210	23.90	25.00	28.75	22.75	9.00	0.56	5	NH6	208
500	RM0500U25E	0.025	152	23.90	25.00	28.75	22.75	9.00	0.56	5	NH6	160
	RM0500U50E	0.05	196	23.90	25.00	28.75	22.75	9.00	0.56	5	NH6	211
	RM0500U57E	0.057	217	26.00	25.00	38.00	21.50	19.00	0.56	5	NH3	245
	RM0500U85E	0.085	280	26.00	25.00	38.00	21.50	19.00	0.56	5	NH3	302
	RM0500U96E	0.096	317	26.00	25.00	38.00	21.50	19.00	0.56	6	NH3	359
600	RM0600U20E	0.020	147	26.00	25.00	38.00	21.50	19.00	0.56	5	NH3	192
	RM0600U40E	0.040	223	26.00	25.00	38.00	21.50	19.00	0.56	5	NH3	254
	RM0600U65E	0.065	290	26.00	25.00	38.00	21.50	19.00	0.56	5	NH3	307
	RM0600U80E	0.080	340	32.00	29.50	41.00	23.50	23.50	0.56	6	NH4	417
700	RM0700U41E	0.041	276	32.00	29.50	41.00	23.50	23.50	0.56	6	NH4	347
	RM0700U68E	0.068	400	32.00	29.50	41.00	23.50	23.50	0.56	6	NH4	510
750	RM0750U15E	0.015	209	32.00	29.50	41.00	23.50	23.50	0.56	6	NH4	266
	RM0750U25E	0.025	250	32.00	29.50	41.00	23.50	23.50	0.56	6	NH4	291
	RM0750U36E	0.036	293	32.00	29.50	41.00	23.50	23.50	0.56	6	NH4	343
	RM0750U60E	0.060	415	32.00	29.50	41.00	23.50	23.50	0.56	6	NH4	510
900	RM0900U13E	0.013	216	32.00	29.50	41.00	23.50	23.50	0.56	6	NH4	266
	RM0900U26E	0.026	286	32.00	29.50	41.00	23.50	23.50	0.56	6	NH4	366
	RM0900U32E	0.032	400	32.00	29.50	41.00	23.50	23.50	0.56	6	NH4	447
	RM0900U43E	0.043	441	32.00	29.50	41.00	23.50	23.50	0.56	6	NH4	541
	RM0900U53E	0.053	490	32.00	29.50	41.00	23.50	23.50	0.56	6	NH4	653
1000	RM1000U11E	0.011	179	32.00	29.50	41.00	23.50	23.50	0.56	6	NH4	277
	RM1000U18E	0.018	232	32.00	29.50	41.00	23.50	23.50	0.56	6	NH4	432
	RM1000U29E	0.029	377	39.50	34.00	51.50	24.00	32.00	0.69	6	NJ1	544
	RM1000U38E	0.038	416	26.00	25.00	38.00	21.50	19.00	0.56	6	NH3	684
	RM1000U48E	0.048	490	39.50	34.00	51.50	24.00	32.00	0.69	6	NJ1	792
1200	RM1200U10E	0.010	228	39.50	34.00	51.50	24.00	32.00	0.69	6	NJ1	355
	RM1200U15E	0.015	287	39.50	34.00	51.50	24.00	32.00	0.69	6	NJ1	432
	RM1200U18E	0.018	395	39.50	34.00	51.50	24.00	32.00	0.69	6	NJ1	493
	RM1200U24E	0.024	440	39.50	34.00	51.50	24.00	32.00	0.69	6	NJ1	594
	RM1200U30E	0.030	490	39.50	34.00	51.50	24.00	32.00	0.69	6	NJ1	684
	RM1200U40E	0.040	576	39.50	34.00	51.50	24.00	32.00	0.69	6	NJ1	850

Note: Please refer to Pages 264 to 269 for enclosure dimensional specifications

All dimensions in inches



SECTION 3

## DV/DT Filters

The advent of pulse width modulated (PWM) inverters with IGBT high speed transistors has resulted in smaller more cost effective drives and increased switching speeds. A waveform with increased harmonics at higher frequencies is the result of these much faster switching devices, usually at frequencies of 10,000 to 20,000 Hertz.

Drives and motors often need to be separated by significant distances. For deep wells or mines, the motors are usually controlled on the surface. As a result, the distance between the drive and the motor creates long motor lead lengths. In some plant applications, the motors can withstand the harsh environment, but the sensitive variable frequency drive cannot. This again results in long lead lengths to the motor.

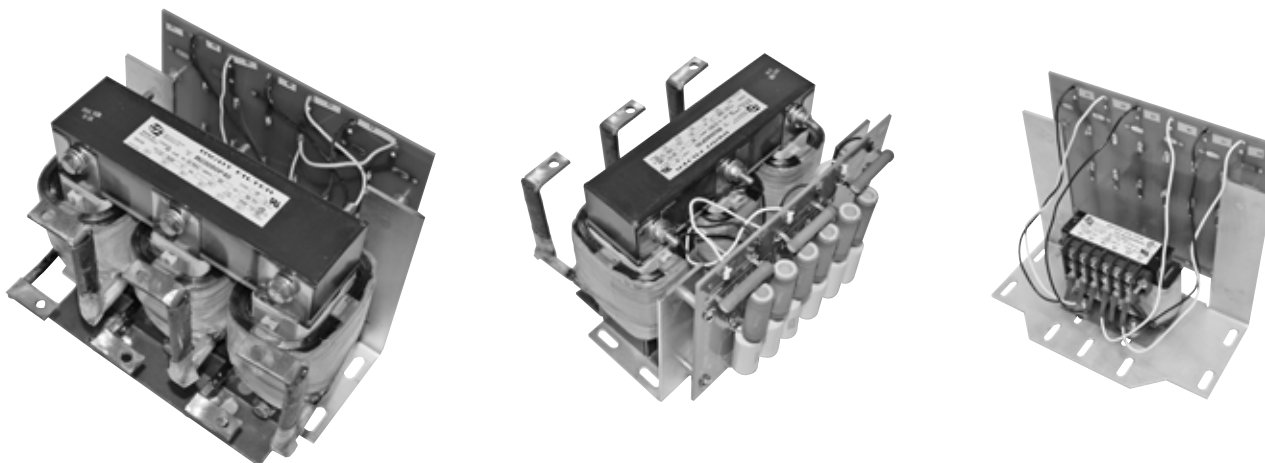
Most manufactures of variable frequency drives will publish a recommended maximum distance between their equipment and the motor. Sometimes these recommendations create application difficulties, thus increased motor lead lengths are inevitable. DV/DT is explained as the steep-front voltage pulses that travel down these long leads in the circuit to the motor and subsequently reverted back in a "reflective wave". When the conductors are long enough, usually 20 feet or more, the time for reflection matches the time for transmission resulting in a high amplitude 'standing wave' on the circuit. Voltage spikes of up to 2100 volts are frequently experienced for 600 volt systems and motor winding failures are the result.

A DV/DT filter, combines the current limiting ability of an AC line reactor plus a resistive capacitance circuit that forms a damped, low pass filter. It provides protection for the motor by slowing the rate of voltage increase and minimizing the peak voltage that occurs at the motor terminals.

The cost of a DV/DT Filter is a little more than the cost of the reactor and can be mounted next to the drive, or inside the PWM enclosure.

### APPLICATIONS

The HPS RC series DV/DT filters are specifically designed for drive/motor applications with long lead lengths (usually where the motor cable length is 20 feet and greater). They should always be installed next to the IGBT variable frequency drive. Typical installation applications include production process lines, conveyor systems and deep wells.



**TYPICAL “RC” DV/DT FILTERS PERFORMANCE**

The RC series DV/DT filters combine appropriate values of inductance, capacitance and resistance to form a filter which reduces DV/DT and peak voltages from the PWM voltage waveform. This combined with a 3% impedance reactor, that will reduce motor heating harmonics, will significantly increase the life of the motor.

Long lead length motor drive applications can experience motor terminal peak voltage spikes twice the DC bus voltage, and higher. Therefore motor terminal voltage peaks of 1200 volts for 480V drives and 1600 volts for 600V drives are not uncommon. The highest peak voltages will typically occur in lower HP applications.

**Standard “RC” DV/DT Filter Specifications****RATINGS:**

Nominal Inductance +/- 10% @ rated current.  
95% of nominal inductance @ 150% rated current.  
50% of nominal inductance @ 350% of rated current.

The above performance indicates that even at very substantial overload conditions (even beyond what other equipment in the circuit could tolerate), the RM Line Reactor will still provide current limiting performance against total harmonic distortion generated by the drive system.

**TEMPERATURE RISE:**

115° C on units up to 160 amps; average ambient of 40°C.  
115° C on units larger than 160 amps; average ambient of 60° C.

**INSULATION SYSTEM:**

200° C Temperature Class up to 160 amps  
220° C Temperature Class over 160 amps

**FREQUENCY:**

60 Hz Fundamental Current Maximum.

**COOLING METHOD:**

Natural convection

**SYSTEM VOLTAGE:**

600 Volts Maximum

**APPROVALS:**

UL File No.: E61431  
CSA File No.: LR 3902

**SOUND LEVEL:**

2 to 18 amps:	58 dBA
130 to 320 amps:	70 dBA
25 to 100 amps:	64 dBA
400 to 600 amps:	75 dBA

**ENCLOSURE: (when specified)**

Type 2 or type 3R

**HARMONIC WITHSTAND:**

HPS DV/DT filters are designed to withstand harmonics associated with the output side of variable speed drives including IGBT type inverters.

**SWITCHING FREQUENCY:**

2.5 KHz up to 20 KHz.



## "RC" DV/DT Filter Selection

### SELECTION GUIDELINES

HPS RC filters are current rated devices. Therefore, to properly size and select the correct unit for your application, it is necessary to know the total motor load on the inverter. All RC filters are designed to be located next to the output terminals of the drive with symmetrical configured three phase cable used to connect the RC filter to the motor. Placement of these filters anywhere else will negatively impact the units performance.

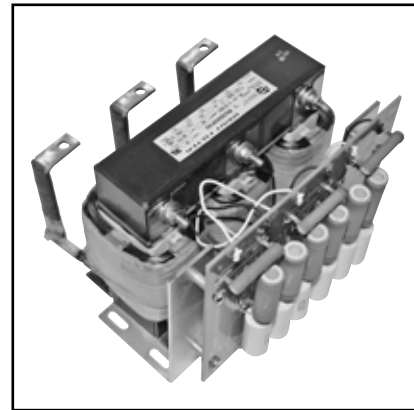
**DV/DT Filter Part Number Guide**

**RC 0002 M 32 \***

- ↑ Further suffix to follow. **Add suffix "E" for Enclosure.**
- ↑ Inductance Value
- ↑ The inductance value is preceded with a letter to designate the position of the decimal point to determine the inductance. The letters are as follows:
  - 'M' XX. mH
  - 'N' X.X mH
  - 'P' 0.XX mH
  - 'U' .0XX mH or XX.0 uH
- ↑ Example: M32 is 32.0 mH
- ↑ 4 digits for current rating
- ↑ DV/DT Filter

**Note:** As all characters of the P/N represent performance values of the reactor, P/N's are not completely sequential. They are sorted by current rating.

The DV/DT filters have had the reactor selected in such a manner that the 3% impedance is approximately maintained at both the 600 and 480 system voltage level. Utilizing a 3% reactor provides optimum performance and protection for the motor. Using smaller impedance reactors will not protect against the same current peaks and motor performance would therefore be diminished.



\* Add the Suffix "E" to the standard part number below for an Enclosed unit.

**"RC" DV/DT FILTER SELECTION TABLE FOR 600V OR 480V, 3% IMPEDANCE, 60 Hz**

Current (Amps)	Part Number	Inductance	Watts Loss	Dimensions					Mtg Slot/Hole Size	Dim. Fig. # (Page 126)	Encl. Fig. #	Weight (Lbs.)	Enclosed Weight (Lbs.)
				W	D	H	Mtg. W	Mtg. D					
2	RC0002M12	12.0	62	9.00	6.18	7.40	8.25	2	.28 x .88	7	N1	4	11
4	RC0004N65	6.50	68	9.00	6.18	7.40	8.25	2	.28 x .88	7	N1	5	12
8	RC0008N30	3.00	80	9.00	6.18	7.40	8.25	2	.28 x .88	7	N1	5	12
12	RC0012N25	2.50	81	9.00	6.18	7.40	8.25	2	.28 x .88	8	N1	10	17
18	RC0018N15	1.50	84	9.00	6.18	7.40	8.25	2	.28 x .88	8	N1	11	18
25	RC0025N12	1.20	99	9.00	6.18	7.40	8.25	2	.28 x .88	8	N1	12	19
35	RC0035P80	0.80	106	9.00	6.18	7.40	8.25	2	.28 x .88	9	N2	19	36
45	RC0045P70	0.70	119	9.00	6.42	7.40	8.25	2	.28 x .88	9	N2	24	41
55	RC0055P50	0.50	130	9.00	6.27	7.40	8.25	2	.28 x .88	10	N2	28	45
80	RC0080P40	0.40	193	9.00	7.83	7.40	8.25	2	.28 x .88	10	N2	38	55
110	RC0110P30	0.30	423	14.0	8.70	11.62	3.6/4.8	4.20	.44 X 1.25	11	NH5	55	95
130	RC0130P20	0.20	415	14.0	8.20	11.62	3.6/4.8	3.73	.44 X 1.25	11	NH5	44	88
160	RC0160P15	0.15	429	14.0	8.70	11.62	3.6/4.8	4.23	.44 X 1.25	11	NH5	49	89
200	RC0200P11	0.11	414	14.0	9.23	11.62	3.6/4.8	4.23	.44 X 1.25	11	NH6	55	115
250	RC0250U90	0.090	431	14.0	9.73	11.62	3.6/4.8	4.70	.44 X 1.25	11	NH6	68	128
320	RC0320U75	0.075	484	14.4	9.50	11.43	4.80	5.94	.44 X 1.00	12	NH6	90	150
400	RC0400U61	0.061	477	14.4	11.5	11.43	4.80	6.44	.44 X 1.00	12	NH6	118	178
500	RC0500U50	0.05	496	14.4	11.5	11.43	4.80	6.44	.44 X 1.00	12	NH3	154	231
600	RC0600U40	0.040	523	14.4	12.0	11.43	4.80	6.94	.44 X 1.00	12	NH4	180	287

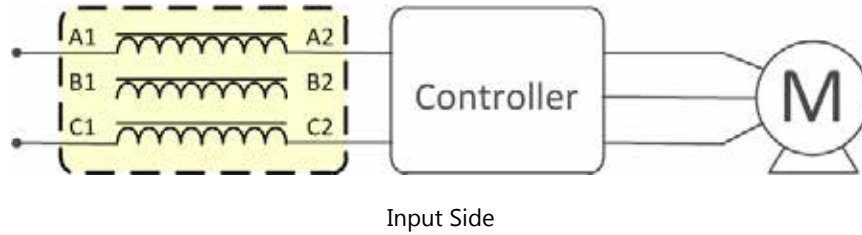
**Note:** Please refer to pages 264 to 269 for enclosure dimensional specifications



# Connection Diagrams

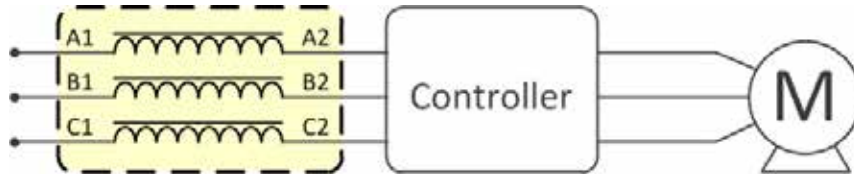
## Single Phase

(a) single motor

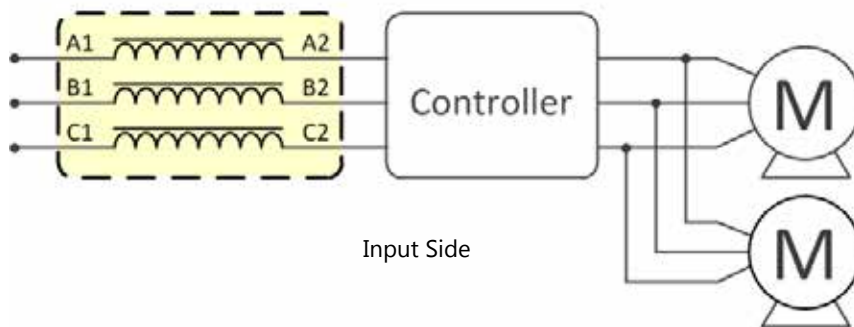


## Three Phase

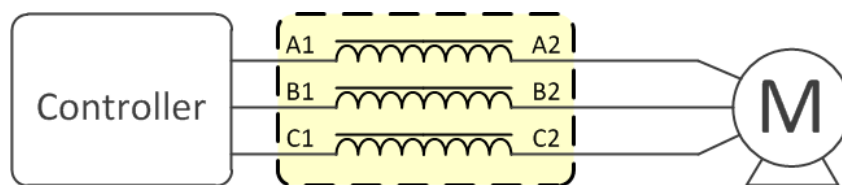
(a) single motor



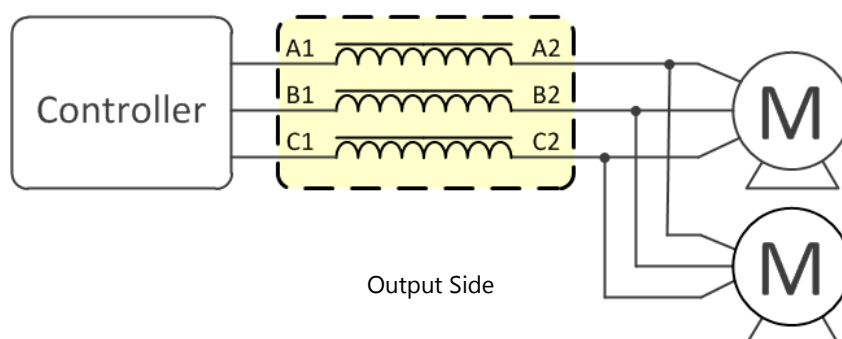
(b) multiple motors



(a) single motor



(b) multiple motors



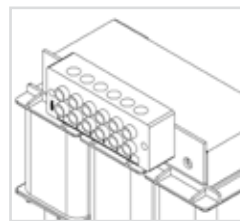
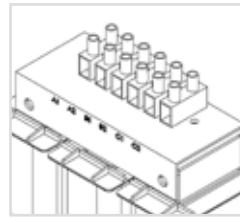
SECTION 3

# Termination Details

## HPS Centurion® R

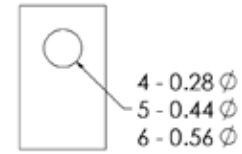
Termination Style Ref #	Suitable For	Amps
1	18-14 AWG	9
2	13-10 AWG	27
3	4-14 AWG	64
4	1/4 inch hardware	110
5	3/8 inch hardware	472
6	1/2 inch hardware	840
7	4 x 1/2 inch hardware	1200

Ref. #1, 2, 3

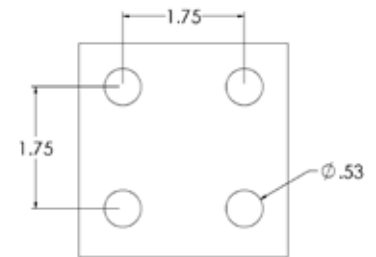


Use applicable terminal block

Ref. #4, 5, 6



Ref. #7



## HPS RM Series

Connector Detail		
Open Style Ref.	Type	Range/Dia.
Figure #1	Terminal Block	#12 - #22
Figure #2	Terminal Block	#4 - #18
Figure #3	Terminal Block	#4 - #18
All Others:		
80 to 200 amps	Terminal Pad	.313" dia. (diagram 1A)
Above 200 amps	Terminal Pad	.5" dia. (diagram 1B)

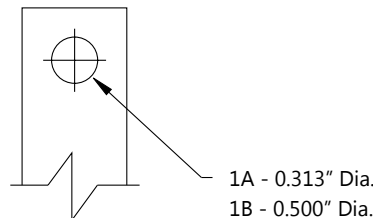


DIAGRAM 1



## HPS Centurion R Core & Coil Reference Drawings

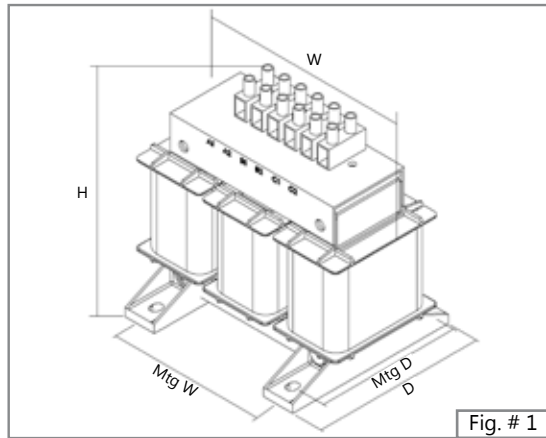


Fig. # 1

**Mounting hardware**  
(not included)  
4 pcs - 1/4 in. bolts  
4 pcs - 1/4 in. nuts  
8 pcs - 1/4 in. flat washers  
4 pcs - 1/4 in. lock washers  
Max. tightening torque: 5.5 ft-lb

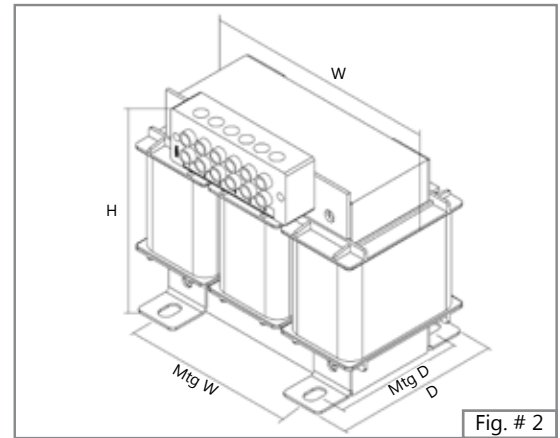


Fig. # 2

**Mounting hardware**  
(not included)  
4 pcs - 5/16 in. bolts  
4 pcs - 5/16 in. nuts  
8 pcs - 5/16 in. flat washers  
4 pcs - 5/16 in. lock washers  
Max. tightening torque: 18 ft-lb

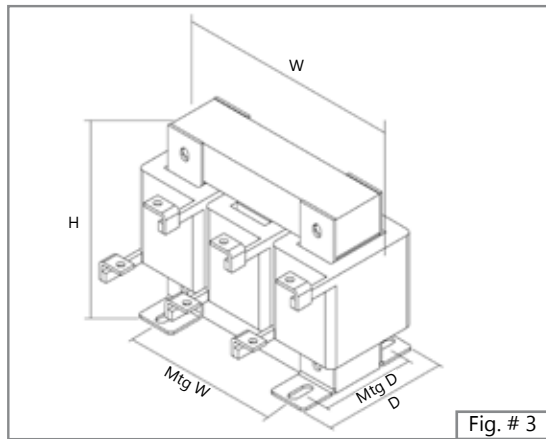


Fig. # 3

<b>Mounting hardware</b> (not included)	<b>.38x.5 slot</b>	<b>.44x1.0 slot</b>
4 pcs bolts	5/16 in.	3/8 in.
4 pcs nuts	5/16 in.	3/8 in.
8 pcs flat washers	5/16 in.	3/8 in.
4 pcs lock washers	5/16 in.	3/8 in.
Max. tightening torque	18 ft-lb	28 ft-lb

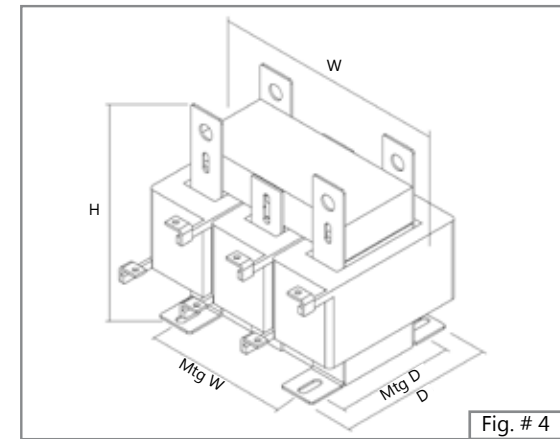


Fig. # 4

**Mounting hardware**  
(not included)  
4 pcs - 3/8 in. bolts  
4 pcs - 3/8 in. nuts  
8 pcs - 3/8 in. flat washers  
4 pcs - 3/8 in. lock washers  
Max. tightening torque: 28 ft-lb

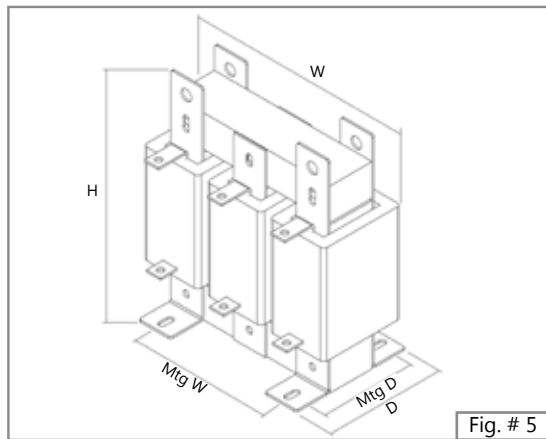
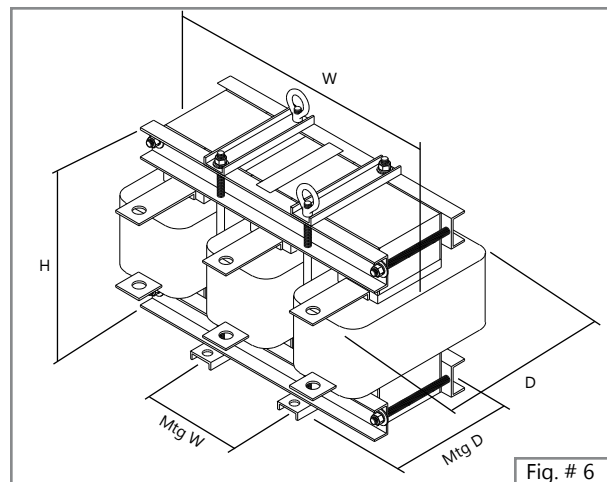
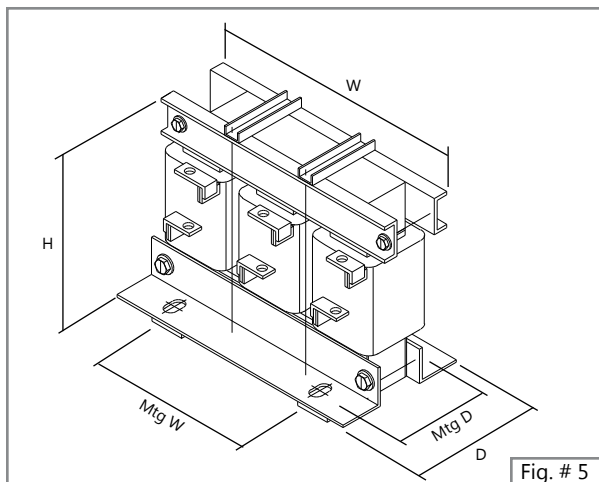
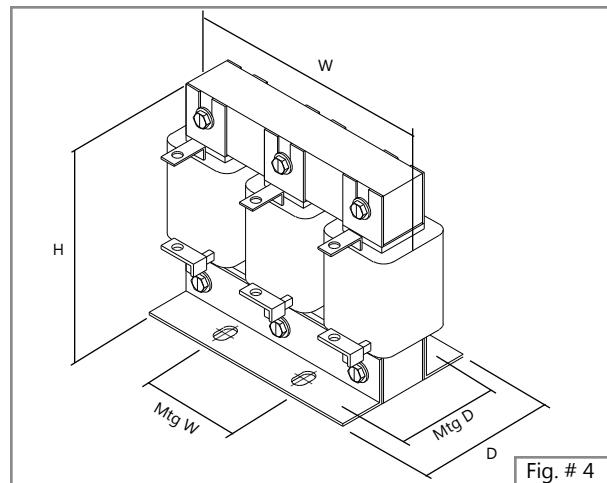
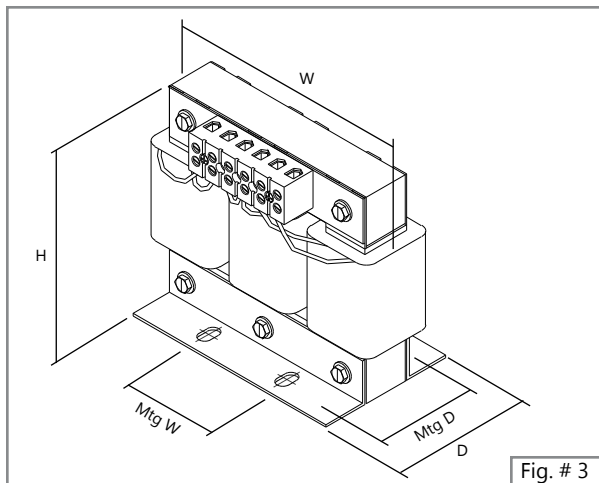
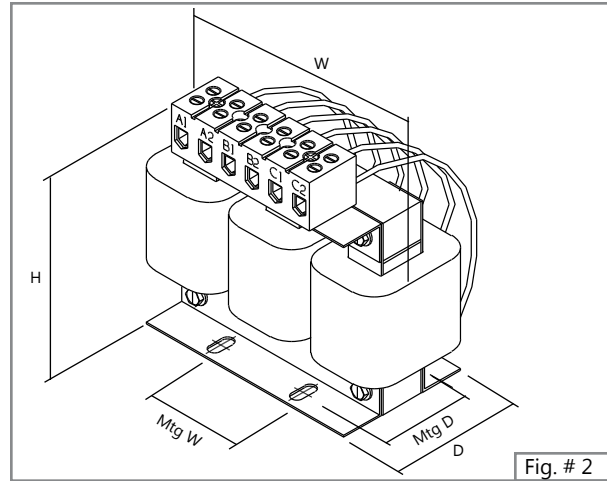
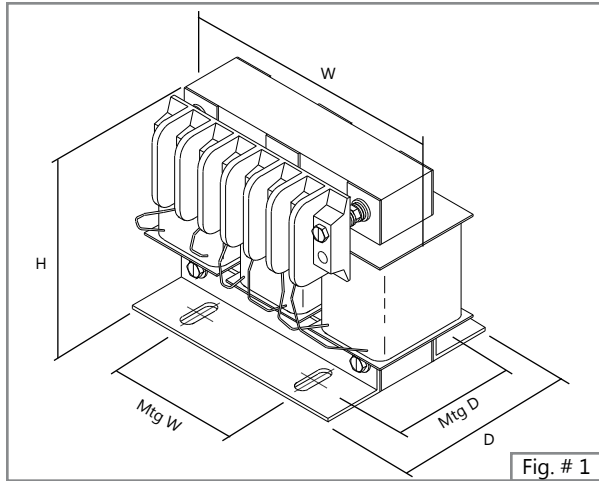


Fig. # 5

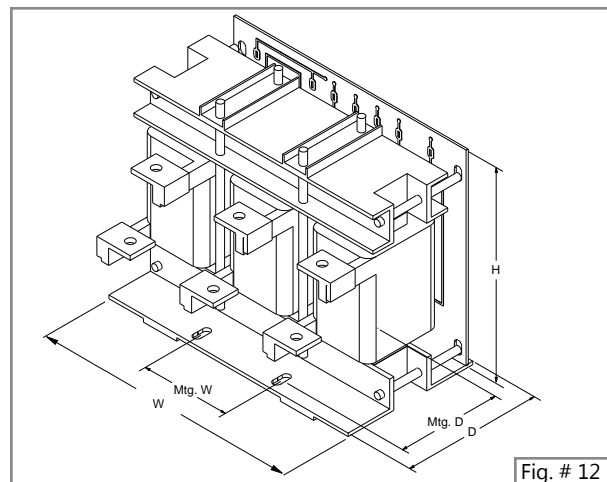
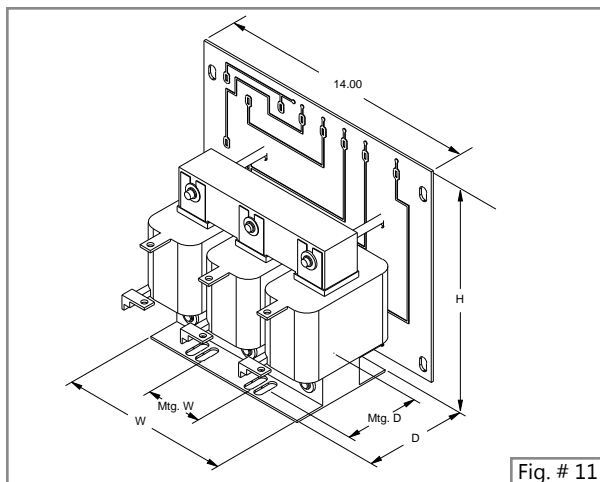
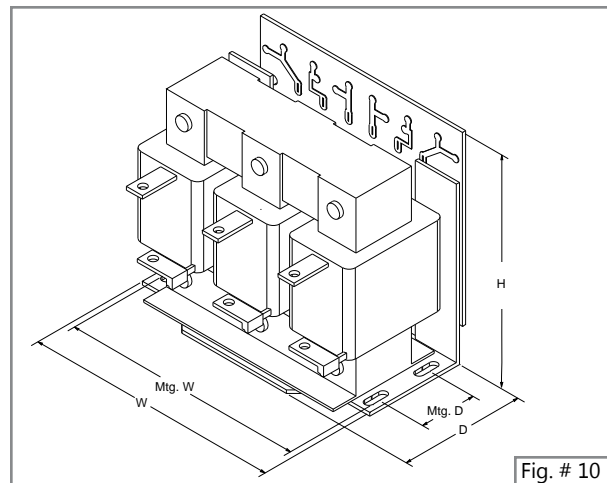
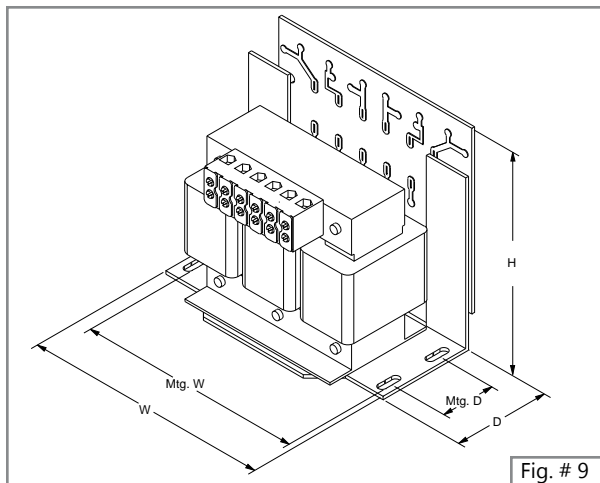
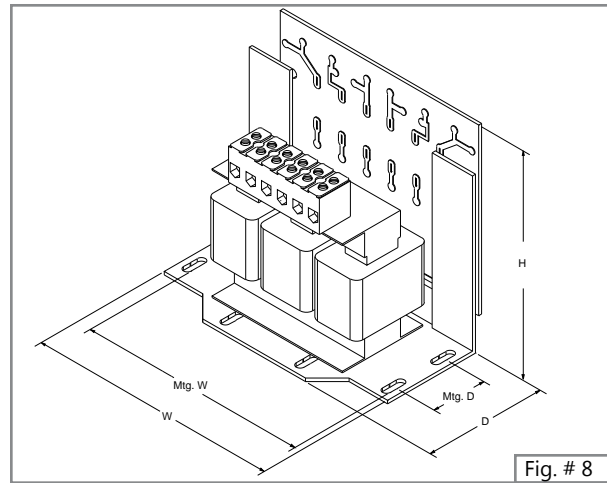
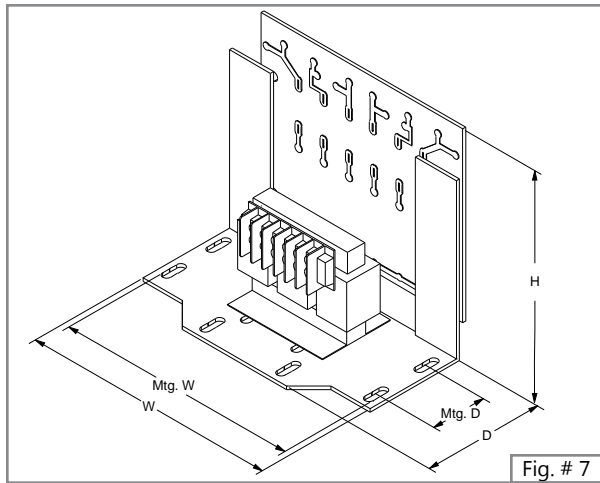
**Mounting hardware**  
(not included)  
4 pcs - 3/8 in. bolts  
4 pcs - 3/8 in. nuts  
8 pcs - 3/8 in. flat washers  
4 pcs - 3/8 in. lock washers  
Max. tightening torque: 28 ft-lb

# RM Reactor Core & Coil Reference Drawings



SECTION 3

# RC DV/DT Filter Core & Coil Reference Drawings



SECTION 3



## **SECTION 4**

# **STANDARD & ENERGY EFFICIENT DRIVE ISOLATION TRANSFORMERS**

### **Aluminum and Copper Wound Three Phase**

<b>Description and Applications .....</b>	<b>128</b>
<b>Selecting Drive Isolation Transformers .....</b>	<b>128</b>
<b><u>Standard Drive Isolation Transformers:</u></b>	
<b>Standard Aluminum and Copper Specifications .....</b>	<b>129</b>
<b>Standard Aluminum Selection Tables .....</b>	<b>130</b>
<b>Standard Copper Selection Tables .....</b>	<b>134</b>
<b>Termination Details .....</b>	<b>139</b>
<b><u>HPS Tribune Energy Efficient Drive Isolation Transformers:</u></b>	
<b>HPS Tribune - Aluminum and Copper Standard Specifications .....</b>	<b>140</b>
<b>HPS Tribune - Aluminum Selection Tables .....</b>	<b>141</b>
<b>HPS Tribune - Copper Selection Tables .....</b>	<b>145</b>
<b>Termination Details .....</b>	<b>150</b>
<b>Enclosure Drawings .....</b>	<b>264</b>
<b>Accessories - Enclosure Mounting Kits, Anti-Vibration Pads &amp; Isolators .....</b>	<b>276</b>
<b>Electrical Schematics and Connections .....</b>	<b>281</b>

## THREE PHASE, DRIVE ISOLATION TRANSFORMERS

With today's technological advances in solid-state power control devices, the use of AC and DC variable speed drives has proliferated in many industrial markets. General purpose distribution transformers are not adequate for this type of application.

**HPS Drive Isolation Transformers** are designed to meet the rugged demands of both AC and DC variable speed drives and also to provide the required voltage change. The separate primary and secondary windings provide electrical isolation between the incoming line and the SCR load. The windings are designed to withstand overcurrent of 150% of the rated load for 60 seconds or 200% of the rated load for 30 seconds. (A duty cycle of one start for every two hours is permitted.)

**Drive Isolation Transformers** are sized to match standard motor horsepower and voltage ratings. Standard sizes range from 5 to 600 HP in six standard voltages. Non-standard sizes and voltages are available upon request.



### SELECTION INSTRUCTIONS

Select the Drive Isolation Transformer according to the recommendations from the motor drive system manufacturer or supplier. If this information is unavailable, use the table below as a guide for selecting the transformer kVA for a required motor horsepower.

Motor H.P.	Transformer kVA
5	7.5
7.5	11
10	14
15	20
20	27
25	34
30	40
40	51
50	63
60	75

Motor H.P.	Transformer kVA
75	93
100	118
125	145
150	175
200	220
250	275
300	330
400	440
500	550
600	660

FOR TERMINATION DETAILS SEE PAGE 139

FOR ACCESSORIES SEE PAGES 276 TO 278

Data subject to change without notice.



## ALUMINUM AND COPPER WOUND FEATURES

### THREE PHASE STANDARD SPECIFICATIONS



	7.5 to 175 kVA	220 to 660 kVA
<b>UL Listed</b>	File: E112313	File: E112313
<b>CSA Certified</b>	File: LR3902	File: LR3902
<b>Frequency</b>	60 Hz	60 Hz
<b>Insulation System</b>	220°C (150°C rise) 200°C (130°C rise) on some Copper units up to 40kVA	220°C (150°C rise) (Optional 115°C and 80°C rise available)
<b>Enclosure Type</b>	Heavy duty ventilated type 3R Optional type 4, 4X (stainless steel) and 12	Heavy duty ventilated type 3R Optional type 4, 4X (stainless steel) and 12
<b>Enclosure Finish</b>	ANSI 61 Grey, UL50	ANSI 61 Grey, UL50
<b>Neutral</b>	Neutral terminal for field connection (on applicable units).	Neutral terminal for field connection (on applicable units).
<b>Standard Primary Taps</b>	Refer to wiring diagrams for details.	Refer to wiring diagrams for details.
<b>Termination</b>	Front accessible separate high and low voltage terminations; suitable for copper and aluminum are provided for easy cable installation.	Front accessible separate high and low voltage terminations, suitable for copper and aluminum are provided for easy cable installation.
<b>Thermostat</b>	Standard on all units.	Standard on all units.
<b>Conduit Knock-Outs</b>	Standard on all units (no knock-outs on Stainless Steel enclosures).	None
<b>Impedance</b>	Typically 3 to 6%	Typically 3 to 6%
<b>Mounting</b>	Floor mounting available on all units. Wall & ceiling mount available on units up to 750 lbs. Refer to selection tables for details.	Floor mounting only.
<b>Short Circuit Withstand</b>	Meets UL and CSA short circuit withstand requirements.	Meets UL and CSA short circuit withstand requirements.

## Selection Tables

Listed below are our standard voltages. Other primary and secondary voltages available are 240, 380 and 600.



### ALUMINUM WOUND, THREE PHASE

208 Delta Primary Volts

480Y Secondary Volts

60 Hz

kVA	Catalog Number	Case Style (Pages 264 - 272)	Dimensions			Approx. Weight (Lbs.)	Mtg Type W - Wall F - Floor	Wiring Diagram (Pages 281 - 293)
			Width	Depth	Height			
7.5	DM007BK	NH5	19.40	20.20	21.50	150	F or W *	SCD 8
11	DM011BK	NH5	19.40	20.20	21.50	160	F or W *	SCD 8
14	DM014BK	NH5	19.40	20.20	21.50	170	F or W *	SCD 8
20	DM020BK	NH6	23.90	25.00	28.75	240	F or W *	SCD 7
27	DM027BK	NH6	23.90	25.00	28.75	300	F or W *	SCD 7
34	DM034BK	NH6	23.90	25.00	28.75	330	F or W *	SCD 7
40	DM040BK	NH6	23.90	25.00	28.75	350	F or W *	SCD 7
51	DM051BK	NH6	23.90	25.00	28.75	430	F or W *	SCD 7
63	DM063BK	NH3	26.00	25.00	38.00	530	F or W *	SCD 7
75	DM075BK	NH3	26.00	25.00	38.00	580	F or W *	SCD 7
93	DM093BK	NH3	26.00	25.00	38.00	630	F or W *	SCD 7
118	DM118BK	NH3	26.00	25.00	38.00	730	F or W *	SCD 7
145	DM145BK	NH4	32.00	29.50	41.00	830	F	SCD 7
175	DM175BK	NH4	32.00	29.50	41.00	930	F	SCD 7
220	DM220BK	NH4	32.00	29.50	41.00	1350	F	SCD 9
275	DM275BK	NJ1	39.50	34.00	51.50	1500	F	SCD 9
330	DM330BK	NJ1	39.50	34.00	51.50	1700	F	SCD 9
440	DM440BK	NJ2	48.50	38.40	59.00	2100	F	SCD 10
550	DM550BK	NJ2	48.50	38.40	59.00	2350	F	SCD 10
660	DM660BK	NJ3	51.50	43.40	66.00	2900	F	SCD 10

For shielded units, please add the suffix "S" to the above part numbers. (i.e. DM075BKS)

\*WALL MOUNTING KIT AND/OR DRIP PLATE KIT REQUIRED. REFER TO PAGES 276 TO 277 FOR DETAILS.

230 Delta Primary Volts

230Y Secondary Volts

60 Hz

kVA	Catalog Number	Case Style (Pages 264 - 272)	Dimensions			Approx. Weight (Lbs.)	Mtg Type W - Wall F - Floor	Wiring Diagram (Pages 281 - 293)
			Width	Depth	Height			
7.5	DM007CC	NH5	19.40	20.20	21.50	150	F or W *	SCD 8
11	DM011CC	NH5	19.40	20.20	21.50	160	F or W *	SCD 8
14	DM014CC	NH5	19.40	20.20	21.50	170	F or W *	SCD 8
20	DM020CC	NH6	23.90	25.00	28.75	240	F or W *	SCD 7
27	DM027CC	NH6	23.90	25.00	28.75	300	F or W *	SCD 7
34	DM034CC	NH6	23.90	25.00	28.75	330	F or W *	SCD 7
40	DM040CC	NH6	23.90	25.00	28.75	350	F or W *	SCD 7
51	DM051CC	NH6	23.90	25.00	28.75	430	F or W *	SCD 7
63	DM063CC	NH3	26.00	25.00	38.00	530	F or W *	SCD 7
75	DM075CC	NH3	26.00	25.00	38.00	580	F or W *	SCD 7
93	DM093CC	NH3	26.00	25.00	38.00	630	F or W *	SCD 7
118	DM118CC	NH3	26.00	25.00	38.00	730	F or W *	SCD 7
145	DM145CC	NH4	32.00	29.50	41.00	830	F	SCD 7
175	DM175CC	NH4	32.00	29.50	41.00	930	F	SCD 7
220	DM220CC	NH4	32.00	29.50	41.00	1350	F	SCD 9
275	DM275CC	NJ1	39.50	34.00	51.50	1500	F	SCD 9
330	DM330CC	NJ1	39.50	34.00	51.50	1700	F	SCD 9
440	DM440CC	NJ2	48.50	38.40	59.00	2100	F	SCD 10
550	DM550CC	NJ2	48.50	38.40	59.00	2350	F	SCD 10
660	DM660CC	NJ3	51.50	43.40	66.00	2900	F	SCD 10

For shielded units, please add the suffix "S" to the above part numbers. (i.e. DM075CCS)

\*WALL MOUNTING KIT AND/OR DRIP PLATE KIT REQUIRED. REFER TO PAGES 276 TO 277 FOR DETAILS.

Products listed on this page are available as 'CE Mark' products. Please consult our sales office.

FOR TERMINATION DETAILS SEE PAGE 139

FOR ACCESSORIES SEE PAGES 276 TO 278

Data subject to change without notice.



## Selection Tables

Listed below are our standard voltages. Other primary and secondary voltages available are 240, 380 and 600.



### ALUMINUM WOUND, THREE PHASE

460 Delta Primary Volts

230Y Secondary Volts

60 Hz

kVA	Catalog Number	Case Style (Pages 264 - 272)	Dimensions			Approx. Weight (Lbs.)	Mtg Type W - Wall F - Floor	Wiring Diagram (Pages 281 - 293)
			Width	Depth	Height			
7.5	DM007JC	NH5	19.40	20.20	21.50	150	F or W *	SCD 8
11	DM011JC	NH5	19.40	20.20	21.50	160	F or W *	SCD 8
14	DM014JC	NH5	19.40	20.20	21.50	170	F or W *	SCD 8
20	DM020JC	NH6	23.90	25.00	28.75	240	F or W *	SCD 7
27	DM027JC	NH6	23.90	25.00	28.75	300	F or W *	SCD 7
34	DM034JC	NH6	23.90	25.00	28.75	330	F or W *	SCD 7
40	DM040JC	NH6	23.90	25.00	28.75	350	F or W *	SCD 7
51	DM051JC	NH6	23.90	25.00	28.75	430	F or W *	SCD 7
63	DM063JC	NH3	26.00	25.00	38.00	530	F or W *	SCD 7
75	DM075JC	NH3	26.00	25.00	38.00	580	F or W *	SCD 7
93	DM093JC	NH3	26.00	25.00	38.00	630	F or W *	SCD 7
118	DM118JC	NH3	26.00	25.00	38.00	730	F or W *	SCD 7
145	DM145JC	NH4	32.00	29.50	41.00	830	F	SCD 7
175	DM175JC	NH4	32.00	29.50	41.00	930	F	SCD 7
220	DM220JC	NH4	32.00	29.50	41.00	1350	F	SCD 9
275	DM275JC	NJ1	39.50	34.00	51.50	1500	F	SCD 9
330	DM330JC	NJ1	39.50	34.00	51.50	1700	F	SCD 9
440	DM440JC	NJ2	48.50	38.40	59.00	2100	F	SCD 10
550	DM550JC	NJ2	48.50	38.40	59.00	2350	F	SCD 10
660	DM660JC	NJ3	51.50	43.40	66.00	2900	F	SCD 10

For shielded units, please add the suffix "S" to the above part numbers. (i.e. DM075JCS)

\*WALL MOUNTING KIT AND/OR DRIP PLATE KIT REQUIRED. REFER TO PAGES 276 TO 277 FOR DETAILS.

460 Delta Primary Volts

400Y Secondary Volts

60 Hz

kVA	Catalog Number	Case Style (Pages 264 - 272)	Dimensions			Approx. Weight (Lbs.)	Mtg Type W - Wall F - Floor	Wiring Diagram (Pages 281 - 293)
			Width	Depth	Height			
7.5	DM007JH	NH5	19.40	20.20	21.50	150	F or W *	SCD 8
11	DM011JH	NH5	19.40	20.20	21.50	160	F or W *	SCD 8
14	DM014JH	NH5	19.40	20.20	21.50	170	F or W *	SCD 8
20	DM020JH	NH6	23.90	25.00	28.75	240	F or W *	SCD 7
27	DM027JH	NH6	23.90	25.00	28.75	300	F or W *	SCD 7
34	DM034JH	NH6	23.90	25.00	28.75	330	F or W *	SCD 7
40	DM040JH	NH6	23.90	25.00	28.75	350	F or W *	SCD 7
51	DM051JH	NH6	23.90	25.00	28.75	430	F or W *	SCD 7
63	DM063JH	NH3	26.00	25.00	38.00	530	F or W *	SCD 7
75	DM075JH	NH3	26.00	25.00	38.00	580	F or W *	SCD 7
93	DM093JH	NH3	26.00	25.00	38.00	630	F or W *	SCD 7
118	DM118JH	NH3	26.00	25.00	38.00	730	F or W *	SCD 7
145	DM145JH	NH4	32.00	29.50	41.00	830	F	SCD 7
175	DM175JH	NH4	32.00	29.50	41.00	930	F	SCD 7
220	DM220JH	NH4	32.00	29.50	41.00	1350	F	SCD 9
275	DM275JH	NJ1	39.50	34.00	51.50	1500	F	SCD 9
330	DM330JH	NJ1	39.50	34.00	51.50	1700	F	SCD 9
440	DM440JH	NJ2	48.50	38.40	59.00	2100	F	SCD 10
550	DM550JH	NJ2	48.50	38.40	59.00	2350	F	SCD 10
660	DM660JH	NJ3	51.50	43.40	66.00	2900	F	SCD 10

For shielded units, please add the suffix "S" to the above part numbers. (i.e. DM075JHS)

\*WALL MOUNTING KIT AND/OR DRIP PLATE KIT REQUIRED. REFER TO PAGES 276 TO 277 FOR DETAILS.

Products listed on this page are available as 'CE Mark' products. Please consult our sales office.

FOR TERMINATION DETAILS SEE PAGE 139

FOR ACCESSORIES SEE PAGES 276 TO 278





## Selection Tables

Listed below are our standard voltages. Other primary and secondary voltages available are 240, 380 and 600.



### ALUMINUM WOUND, THREE PHASE

460 Delta Primary Volts

460Y Secondary Volts

60 Hz

kVA	Catalog Number	Case Style (Pages 264 - 272)	Dimensions			Approx. Weight (Lbs.)	Mtg Type W - Wall F - Floor	Wiring Diagram (Pages 281 - 293)
			Width	Depth	Height			
7.5	DM007JJ	NH5	19.40	20.20	21.50	150	F or W *	SCD 8
11	DM011JJ	NH5	19.40	20.20	21.50	160	F or W *	SCD 8
14	DM014JJ	NH5	19.40	20.20	21.50	170	F or W *	SCD 8
20	DM020JJ	NH6	23.90	25.00	28.75	240	F or W *	SCD 7
27	DM027JJ	NH6	23.90	25.00	28.75	300	F or W *	SCD 7
34	DM034JJ	NH6	23.90	25.00	28.75	330	F or W *	SCD 7
40	DM040JJ	NH6	23.90	25.00	28.75	350	F or W *	SCD 7
51	DM051JJ	NH6	23.90	25.00	28.75	430	F or W *	SCD 7
63	DM063JJ	NH3	26.00	25.00	38.00	530	F or W *	SCD 7
75	DM075JJ	NH3	26.00	25.00	38.00	580	F or W *	SCD 7
93	DM093JJ	NH3	26.00	25.00	38.00	630	F or W *	SCD 7
118	DM118JJ	NH3	26.00	25.00	38.00	730	F or W *	SCD 7
145	DM145JJ	NH4	32.00	29.50	41.00	830	F	SCD 7
175	DM175JJ	NH4	32.00	29.50	41.00	930	F	SCD 7
220	DM220JJ	NH4	32.00	29.50	41.00	1350	F	SCD 9
275	DM275JJ	NJ1	39.50	34.00	51.50	1500	F	SCD 9
330	DM330JJ	NJ1	39.50	34.00	51.50	1700	F	SCD 9
440	DM440JJ	NJ2	48.50	38.40	59.00	2100	F	SCD 10
550	DM550JJ	NJ2	48.50	38.40	59.00	2350	F	SCD 10
660	DM660JJ	NJ3	51.50	43.40	66.00	2900	F	SCD 10

For shielded units, please add the suffix "S" to the above part numbers. (i.e. DM075JJS)

\*WALL MOUNTING KIT AND/OR DRIP PLATE KIT REQUIRED. REFER TO PAGES 276 TO 277 FOR DETAILS.

480 Delta Primary Volts

240Y Secondary Volts

60 Hz

kVA	Catalog Number	Case Style (Pages 264 - 272)	Dimensions			Approx. Weight (Lbs.)	Mtg Type W - Wall F - Floor	Wiring Diagram (Pages 281 - 293)
			Width	Depth	Height			
7.5	DM007KD	NH5	19.40	20.20	21.50	150	F or W *	SCD 8
11	DM011KD	NH5	19.40	20.20	21.50	160	F or W *	SCD 8
14	DM014KD	NH5	19.40	20.20	21.50	170	F or W *	SCD 8
20	DM020KD	NH6	23.90	25.00	28.75	240	F or W *	SCD 7
27	DM027KD	NH6	23.90	25.00	28.75	300	F or W *	SCD 7
34	DM034KD	NH6	23.90	25.00	28.75	330	F or W *	SCD 7
40	DM040KD	NH6	23.90	25.00	28.75	350	F or W *	SCD 7
51	DM051KD	NH6	23.90	25.00	28.75	430	F or W *	SCD 7
63	DM063KD	NH3	26.00	25.00	38.00	530	F or W *	SCD 7
75	DM075KD	NH3	26.00	25.00	38.00	580	F or W *	SCD 7
93	DM093KD	NH3	26.00	25.00	38.00	630	F or W *	SCD 7
118	DM118KD	NH3	26.00	25.00	38.00	730	F or W *	SCD 7
145	DM145KD	NH4	32.00	29.50	41.00	830	F	SCD 7
175	DM175KD	NH4	32.00	29.50	41.00	930	F	SCD 7
220	DM220KD	NH4	32.00	29.50	41.00	1350	F	SCD 9
275	DM275KD	NJ1	39.50	34.00	51.50	1500	F	SCD 9
330	DM330KD	NJ1	39.50	34.00	51.50	1700	F	SCD 9
440	DM440KD	NJ2	48.50	38.40	59.00	2100	F	SCD 10
550	DM550KD	NJ2	48.50	38.40	59.00	2350	F	SCD 10
660	DM660KD	NJ3	51.50	43.40	66.00	2900	F	SCD 10

For shielded units, please add the suffix "S" to the above part numbers. (i.e. DM075KDS)

\*WALL MOUNTING KIT AND/OR DRIP PLATE KIT REQUIRED. REFER TO PAGES 276 TO 277 FOR DETAILS.

Products listed on this page are available as 'CE Mark' products. Please consult our sales office.

FOR TERMINATION DETAILS SEE PAGE 139

FOR ACCESSORIES SEE PAGES 276 TO 278

Data subject to change without notice.



## Selection Tables

Listed below are our standard voltages. Other primary and secondary voltages available are 240, 380 and 600.



### ALUMINUM WOUND, THREE PHASE

480 Delta Primary Volts

480Y Secondary Volts

60 Hz

kVA	Catalog Number	Case Style (Pages 264 - 272)	Dimensions			Approx. Weight (Lbs.)	Mtg Type W - Wall F - Floor	Wiring Diagram (Pages 281 - 293)
			Width	Depth	Height			
7.5	DM007KK	NH5	19.40	20.20	21.50	150	F or W *	SCD 8
11	DM011KK	NH5	19.40	20.20	21.50	160	F or W *	SCD 8
14	DM014KK	NH5	19.40	20.20	21.50	170	F or W *	SCD 8
20	DM020KK	NH6	23.90	25.00	28.75	240	F or W *	SCD 7
27	DM027KK	NH6	23.90	25.00	28.75	300	F or W *	SCD 7
34	DM034KK	NH6	23.90	25.00	28.75	330	F or W *	SCD 7
40	DM040KK	NH6	23.90	25.00	28.75	350	F or W *	SCD 7
51	DM051KK	NH6	23.90	25.00	28.75	430	F or W *	SCD 7
63	DM063KK	NH3	26.00	25.00	38.00	530	F or W *	SCD 7
75	DM075KK	NH3	26.00	25.00	38.00	580	F or W *	SCD 7
93	DM093KK	NH3	26.00	25.00	38.00	630	F or W *	SCD 7
118	DM118KK	NH3	26.00	25.00	38.00	730	F or W *	SCD 7
145	DM145KK	NH4	32.00	29.50	41.00	830	F	SCD 7
175	DM175KK	NH4	32.00	29.50	41.00	930	F	SCD 7
220	DM220KK	NH4	32.00	29.50	41.00	1350	F	SCD 9
275	DM275KK	NJ1	39.50	34.00	51.50	1500	F	SCD 9
330	DM330KK	NJ1	39.50	34.00	51.50	1700	F	SCD 9
440	DM440KK	NJ2	48.50	38.40	59.00	2100	F	SCD 10
550	DM550KK	NJ2	48.50	38.40	59.00	2350	F	SCD 10
660	DM660KK	NJ3	51.50	43.40	66.00	2900	F	SCD 10

For shielded units, please add the suffix "S" to the above part numbers. (i.e. DM075KKS)

\*WALL MOUNTING KIT AND/OR DRIP PLATE KIT REQUIRED. REFER TO PAGES 276 TO 277 FOR DETAILS.

575 Delta Primary Volts

460Y Secondary Volts

60 Hz

kVA	Catalog Number	Case Style (Pages 264 - 272)	Dimensions			Approx. Weight (Lbs.)	Mtg Type W - Wall F - Floor	Wiring Diagram (Pages 281 - 293)
			Width	Depth	Height			
7.5	DM007NJ	NH5	19.40	20.20	21.50	150	F or W *	SCD 8
11	DM011NJ	NH5	19.40	20.20	21.50	160	F or W *	SCD 8
14	DM014NJ	NH5	19.40	20.20	21.50	170	F or W *	SCD 8
20	DM020NJ	NH6	23.90	25.00	28.75	240	F or W *	SCD 7
27	DM027NJ	NH6	23.90	25.00	28.75	300	F or W *	SCD 7
34	DM034NJ	NH6	23.90	25.00	28.75	330	F or W *	SCD 7
40	DM040NJ	NH6	23.90	25.00	28.75	350	F or W *	SCD 7
51	DM051NJ	NH6	23.90	25.00	28.75	430	F or W *	SCD 7
63	DM063NJ	NH3	26.00	25.00	38.00	530	F or W *	SCD 7
75	DM075NJ	NH3	26.00	25.00	38.00	580	F or W *	SCD 7
93	DM093NJ	NH3	26.00	25.00	38.00	630	F or W *	SCD 7
118	DM118NJ	NH3	26.00	25.00	38.00	730	F or W *	SCD 7
145	DM145NJ	NH4	32.00	29.50	41.00	830	F	SCD 7
175	DM175NJ	NH4	32.00	29.50	41.00	930	F	SCD 7
220	DM220NJ	NH4	32.00	29.50	41.00	1350	F	SCD 9
275	DM275NJ	NJ1	39.50	34.00	51.50	1500	F	SCD 9
330	DM330NJ	NJ1	39.50	34.00	51.50	1700	F	SCD 9
440	DM440NJ	NJ2	48.50	38.40	59.00	2100	F	SCD 10
550	DM550NJ	NJ2	48.50	38.40	59.00	2350	F	SCD 10
660	DM660NJ	NJ3	51.50	43.40	66.00	2900	F	SCD 10

For shielded units, please add the suffix "S" to the above part numbers. (i.e. DM075NJS)

\*WALL MOUNTING KIT AND/OR DRIP PLATE KIT REQUIRED. REFER TO PAGES 276 TO 277 FOR DETAILS.

Products listed on this page are available as 'CE Mark' products. Please consult our sales office.

FOR TERMINATION DETAILS SEE PAGE 139

FOR ACCESSORIES SEE PAGES 276 TO 278

Data subject to change without notice.



## Selection Tables

Listed below are our standard voltages. Other primary and secondary voltages available are 240, 380 and 600.



### ALUMINUM WOUND, THREE PHASE

575 Delta Primary Volts

575Y Secondary Volts

60 Hz

kVA	Catalog Number	Case Style (Pages 264 - 272)	Dimensions			Approx. Weight (Lbs.)	Mtg Type W - Wall F - Floor	Wiring Diagram (Pages 281 - 293)
			Width	Depth	Height			
7.5	DM007NN	NH5	19.40	20.20	21.50	150	F or W *	SCD 8
11	DM011NN	NH5	19.40	20.20	21.50	160	F or W *	SCD 8
14	DM014NN	NH5	19.40	20.20	21.50	170	F or W *	SCD 8
20	DM020NN	NH6	23.90	25.00	28.75	240	F or W *	SCD 7
27	DM027NN	NH6	23.90	25.00	28.75	300	F or W *	SCD 7
34	DM034NN	NH6	23.90	25.00	28.75	330	F or W *	SCD 7
40	DM040NN	NH6	23.90	25.00	28.75	350	F or W *	SCD 7
51	DM051NN	NH6	23.90	25.00	28.75	430	F or W *	SCD 7
63	DM063NN	NH3	26.00	25.00	38.00	530	F or W *	SCD 7
75	DM075NN	NH3	26.00	25.00	38.00	580	F or W *	SCD 7
93	DM093NN	NH3	26.00	25.00	38.00	630	F or W *	SCD 7
118	DM118NN	NH3	26.00	25.00	38.00	730	F or W *	SCD 7
145	DM145NN	NH4	32.00	29.50	41.00	830	F	SCD 7
175	DM175NN	NH4	32.00	29.50	41.00	930	F	SCD 7
220	DM220NN	NH4	32.00	29.50	41.00	1350	F	SCD 9
275	DM275NN	NJ1	39.50	34.00	51.50	1500	F	SCD 9
330	DM330NN	NJ1	39.50	34.00	51.50	1700	F	SCD 9
440	DM440NN	NJ2	48.50	38.40	59.00	2100	F	SCD 10
550	DM550NN	NJ2	48.50	38.40	59.00	2350	F	SCD 10
660	DM660NN	NJ3	51.50	43.40	66.00	2900	F	SCD 10

For shielded units, please add the suffix "S" to the above part numbers. (i.e. DM075NNS)

\*WALL MOUNTING KIT AND/OR DRIP PLATE KIT REQUIRED. REFER TO PAGES 276 TO 277 FOR DETAILS.

### COPPER WOUND, THREE PHASE

208 Delta Primary Volts

480Y Secondary Volts

60 Hz

kVA	Catalog Number	Case Style (Pages 264 - 272)	Dimensions			Approx. Weight (Lbs.)	Mtg Type W - Wall F - Floor	Wiring Diagram (Pages 281 - 293)
			Width	Depth	Height			
7.5	DM007BKC	NH5	19.40	20.20	21.50	150	F or W *	SCD 8
11	DM011BKC	NH5	19.40	20.20	21.50	170	F or W *	SCD 8
14	DM014BKC	NH5	19.40	20.20	21.50	210	F or W *	SCD 8
20	DM020BKC	NH6	23.90	25.00	28.75	270	F or W *	SCD 7
27	DM027BKC	NH6	23.90	25.00	28.75	330	F or W *	SCD 7
34	DM034BKC	NH6	23.90	25.00	28.75	350	F or W *	SCD 7
40	DM040BKC	NH6	23.90	25.00	28.75	380	F or W *	SCD 7
51	DM051BKC	NH6	23.90	25.00	28.75	450	F or W *	SCD 7
63	DM063BKC	NH3	26.00	25.00	38.00	550	F or W *	SCD 7
75	DM075BKC	NH3	26.00	25.00	38.00	600	F or W *	SCD 7
93	DM093BKC	NH3	26.00	25.00	38.00	630	F or W *	SCD 7
118	DM118BKC	NH3	26.00	25.00	38.00	880	F	SCD 7
145	DM145BKC	NH4	32.00	29.50	41.00	930	F	SCD 7
175	DM175BKC	NH4	32.00	29.50	41.00	1100	F	SCD 7
220	DM220BKC	NH4	32.00	29.50	41.00	1450	F	SCD 9
275	DM275BKC	NJ1	39.50	34.00	51.50	1680	F	SCD 9
330	DM330BKC	NJ1	39.50	34.00	51.50	1850	F	SCD 9
440	DM440BKC	NJ2	48.50	38.40	59.00	2350	F	SCD 10
550	DM550BKC	NJ2	48.50	38.40	59.00	2800	F	SCD 10
660	DM660BKC	NJ3	51.50	43.40	66.00	3250	F	SCD 10

For shielded units, please replace the suffix "C" with a 'K' on the above part numbers. (i.e. DM075BKK)

\*WALL MOUNTING KIT AND/OR DRIP PLATE KIT REQUIRED. REFER TO PAGES 276 TO 277 FOR DETAILS.

Products listed on this page are available as 'CE Mark' products. Please consult our sales office.

FOR TERMINATION DETAILS SEE PAGE 139

FOR ACCESSORIES SEE PAGES 276 TO 278

Data subject to change without notice.



## Selection Tables

Listed below are our standard voltages. Other primary and secondary voltages available are 240, 380 and 600.



### COPPER WOUND, THREE PHASE

230 Delta Primary Volts

230Y Secondary Volts

60 Hz

kVA	Catalog Number	Case Style (Pages 264 - 272)	Dimensions			Approx. Weight (Lbs.)	Mtg Type W - Wall F - Floor	Wiring Diagram (Pages 281 - 293)
			Width	Depth	Height			
7.5	DM007CCC	NH5	19.40	20.20	21.50	150	F or W *	SCD 8
11	DM011CCC	NH5	19.40	20.20	21.50	170	F or W *	SCD 8
14	DM014CCC	NH5	19.40	20.20	21.50	210	F or W *	SCD 8
20	DM020CCC	NH6	23.90	25.00	28.75	270	F or W *	SCD 7
27	DM027CCC	NH6	23.90	25.00	28.75	330	F or W *	SCD 7
34	DM034CCC	NH6	23.90	25.00	28.75	350	F or W *	SCD 7
40	DM040CCC	NH6	23.90	25.00	28.75	380	F or W *	SCD 7
51	DM051CCC	NH6	23.90	25.00	28.75	450	F or W *	SCD 7
63	DM063CCC	NH3	26.00	25.00	38.00	550	F or W *	SCD 7
75	DM075CCC	NH3	26.00	25.00	38.00	600	F or W *	SCD 7
93	DM093CCC	NH3	26.00	25.00	38.00	630	F or W *	SCD 7
118	DM118CCC	NH3	26.00	25.00	38.00	880	F	SCD 7
145	DM145CCC	NH4	32.00	29.50	41.00	930	F	SCD 7
175	DM175CCC	NH4	32.00	29.50	41.00	1100	F	SCD 7
220	DM220CCC	NH4	32.00	29.50	41.00	1450	F	SCD 9
275	DM275CCC	NJ1	39.50	34.00	51.50	1680	F	SCD 9
330	DM330CCC	NJ1	39.50	34.00	51.50	1850	F	SCD 9
440	DM440CCC	NJ2	48.50	38.40	59.00	2350	F	SCD 10
550	DM550CCC	NJ2	48.50	38.40	59.00	2800	F	SCD 10
660	DM660CCC	NJ3	51.50	43.40	66.00	3250	F	SCD 10

For shielded units, please replace the suffix "C" with a 'K' on the above part numbers. (i.e. DM075CK)

\*WALL MOUNTING KIT AND/OR DRIP PLATE KIT REQUIRED. REFER TO PAGES 276 TO 277 FOR DETAILS.

460 Delta Primary Volts

230Y Secondary Volts

60 Hz

kVA	Catalog Number	Case Style (Pages 264 - 272)	Dimensions			Approx. Weight (Lbs.)	Mtg Type W - Wall F - Floor	Wiring Diagram (Pages 281 - 293)
			Width	Depth	Height			
7.5	DM007JCCN	NH5	19.40	20.20	21.50	150	F or W *	SCD 8
11	DM011JCCN	NH5	19.40	20.20	21.50	170	F or W *	SCD 8
14	DM014JCCN	NH5	19.40	20.20	21.50	210	F or W *	SCD 8
20	DM020JCCN	NH6	23.90	25.00	28.75	270	F or W *	SCD 7
27	DM027JCCN	NH6	23.90	25.00	28.75	330	F or W *	SCD 7
34	DM034JCC	NH6	23.90	25.00	28.75	350	F or W *	SCD 7
40	DM040JCC	NH6	23.90	25.00	28.75	380	F or W *	SCD 7
51	DM051JCC	NH6	23.90	25.00	28.75	450	F or W *	SCD 7
63	DM063JCC	NH3	26.00	25.00	38.00	550	F or W *	SCD 7
75	DM075JCC	NH3	26.00	25.00	38.00	600	F or W *	SCD 7
93	DM093JCC	NH3	26.00	25.00	38.00	630	F or W *	SCD 7
118	DM118JCC	NH3	26.00	25.00	38.00	880	F	SCD 7
145	DM145JCC	NH4	32.00	29.50	41.00	930	F	SCD 7
175	DM175JCC	NH4	32.00	29.50	41.00	1100	F	SCD 7
220	DM220JCC	NH4	32.00	29.50	41.00	1450	F	SCD 9
275	DM275JCC	NJ1	39.50	34.00	51.50	1680	F	SCD 9
330	DM330JCC	NJ1	39.50	34.00	51.50	1850	F	SCD 9
440	DM440JCC	NJ2	48.50	38.40	59.00	2350	F	SCD 10
550	DM550JCC	NJ2	48.50	38.40	59.00	2800	F	SCD 10
660	DM660JCC	NJ3	51.50	43.40	66.00	3250	F	SCD 10

For shielded units, please replace the suffix "C" with a 'K' on the above part numbers. (i.e. DM075JCK)

\*WALL MOUNTING KIT AND/OR DRIP PLATE KIT REQUIRED. REFER TO PAGES 276 TO 277 FOR DETAILS.

Products listed on this page are available as 'CE Mark' products. Please consult our sales office.

FOR TERMINATION DETAILS SEE PAGE 139

FOR ACCESSORIES SEE PAGES 276 TO 278

Data subject to change without notice.



## Selection Tables

Listed below are our standard voltages. Other primary and secondary voltages available are 240, 380 and 600.



### COPPER WOUND, THREE PHASE

460 Delta Primary Volts

400Y Secondary Volts

60 Hz

kVA	Catalog Number	Case Style (Pages 264 - 272)	Dimensions			Approx. Weight (Lbs.)	Mtg Type W - Wall F - Floor	Wiring Diagram (Pages 281 - 293)
			Width	Depth	Height			
7.5	DM007JHCN	NH5	19.40	20.20	21.50	150	F or W *	SCD 8
11	DM011JHCN	NH5	19.40	20.20	21.50	170	F or W *	SCD 8
14	DM014JHCN	NH5	19.40	20.20	21.50	210	F or W *	SCD 8
20	DM020JHCN	NH6	23.90	25.00	28.75	270	F or W *	SCD 7
27	DM027JHCN	NH6	23.90	25.00	28.75	330	F or W *	SCD 7
34	DM034JHC	NH6	23.90	25.00	28.75	350	F or W *	SCD 7
40	DM040JHC	NH6	23.90	25.00	28.75	380	F or W *	SCD 7
51	DM051JHC	NH6	23.90	25.00	28.75	450	F or W *	SCD 7
63	DM063JHC	NH3	26.00	25.00	38.00	550	F or W *	SCD 7
75	DM075JHC	NH3	26.00	25.00	38.00	600	F or W *	SCD 7
93	DM093JHC	NH3	26.00	25.00	38.00	630	F or W *	SCD 7
118	DM118JHC	NH3	26.00	25.00	38.00	880	F	SCD 7
145	DM145JHC	NH4	32.00	29.50	41.00	930	F	SCD 7
175	DM175JHC	NH4	32.00	29.50	41.00	1100	F	SCD 7
220	DM220JHC	NH4	32.00	29.50	41.00	1450	F	SCD 9
275	DM275JHC	NJ1	39.50	34.00	51.50	1680	F	SCD 9
330	DM330JHC	NJ1	39.50	34.00	51.50	1850	F	SCD 9
440	DM440JHC	NJ2	48.50	38.40	59.00	2350	F	SCD 10
550	DM550JHC	NJ2	48.50	38.40	59.00	2800	F	SCD 10
660	DM660JHC	NJ3	51.50	43.40	66.00	3250	F	SCD 10

For shielded units, please replace the suffix "C" with a 'K' on the above part numbers. (i.e. DM075JHK)

\*WALL MOUNTING KIT AND/OR DRIP PLATE KIT REQUIRED. REFER TO PAGES 276 TO 277 FOR DETAILS.

460 Delta Primary Volts

460Y Secondary Volts

60 Hz

kVA	Catalog Number	Case Style (Pages 264 - 272)	Dimensions			Approx. Weight (Lbs.)	Mtg Type W - Wall F - Floor	Wiring Diagram (Pages 281 - 293)
			Width	Depth	Height			
7.5	DM007JJCN	NH5	19.40	20.20	21.50	150	F or W *	SCD 8
11	DM011JJCN	NH5	19.40	20.20	21.50	170	F or W *	SCD 8
14	DM014JJCN	NH5	19.40	20.20	21.50	210	F or W *	SCD 8
20	DM020JJCN	NH6	23.90	25.00	28.75	270	F or W *	SCD 7
27	DM027JJCN	NH6	23.90	25.00	28.75	330	F or W *	SCD 7
34	DM034JJC	NH6	23.90	25.00	28.75	350	F or W *	SCD 7
40	DM040JJC	NH6	23.90	25.00	28.75	380	F or W *	SCD 7
51	DM051JJC	NH6	23.90	25.00	28.75	450	F or W *	SCD 7
63	DM063JJC	NH3	26.00	25.00	38.00	550	F or W *	SCD 7
75	DM075JJC	NH3	26.00	25.00	38.00	600	F or W *	SCD 7
93	DM093JJC	NH3	26.00	25.00	38.00	630	F or W *	SCD 7
118	DM118JJC	NH3	26.00	25.00	38.00	880	F	SCD 7
145	DM145JJC	NH4	32.00	29.50	41.00	930	F	SCD 7
175	DM175JJC	NH4	32.00	29.50	41.00	1100	F	SCD 7
220	DM220JJC	NH4	32.00	29.50	41.00	1450	F	SCD 9
275	DM275JJC	NJ1	39.50	34.00	51.50	1680	F	SCD 9
330	DM330JJC	NJ1	39.50	34.00	51.50	1850	F	SCD 9
440	DM440JJC	NJ2	48.50	38.40	59.00	2350	F	SCD 10
550	DM550JJC	NJ2	48.50	38.40	59.00	2800	F	SCD 10
660	DM660JJC	NJ3	51.50	43.40	66.00	3250	F	SCD 10

For shielded units, please replace the suffix "C" with a 'K' on the above part numbers. (i.e. DM075JJK)

\*WALL MOUNTING KIT AND/OR DRIP PLATE KIT REQUIRED. REFER TO PAGES 276 TO 277 FOR DETAILS.

Products listed on this page are available as 'CE Mark' products. Please consult our sales office.

FOR TERMINATION DETAILS SEE PAGE 139

FOR ACCESSORIES SEE PAGES 276 TO 278

Data subject to change without notice.



## Selection Tables

Listed below are our standard voltages. Other primary and secondary voltages available are 240, 380 and 600.



### COPPER WOUND, THREE PHASE

480 Delta Primary Volts

240Y Secondary Volts

60 Hz

kVA	Catalog Number	Case Style (Pages 264 - 272)	Dimensions			Approx. Weight (Lbs.)	Mtg Type W - Wall F - Floor	Wiring Diagram (Pages 281 - 293)
			Width	Depth	Height			
7.5	DM007KDCN	NH5	19.40	20.20	21.50	150	F or W *	SCD 8
11	DM011KDCN	NH5	19.40	20.20	21.50	170	F or W *	SCD 8
14	DM014KDCN	NH5	19.40	20.20	21.50	210	F or W *	SCD 8
20	DM020KDCN	NH6	23.90	25.00	28.75	270	F or W *	SCD 7
27	DM027KDCN	NH6	23.90	25.00	28.75	330	F or W *	SCD 7
34	DM034KDCN	NH6	23.90	25.00	28.75	350	F or W *	SCD 7
40	DM040KDC	NH6	23.90	25.00	28.75	380	F or W *	SCD 7
51	DM051KDC	NH6	23.90	25.00	28.75	450	F or W *	SCD 7
63	DM063KDC	NH3	26.00	25.00	38.00	550	F or W *	SCD 7
75	DM075KDC	NH3	26.00	25.00	38.00	600	F or W *	SCD 7
93	DM093KDC	NH3	26.00	25.00	38.00	630	F or W *	SCD 7
118	DM118KDC	NH3	26.00	25.00	38.00	880	F	SCD 7
145	DM145KDC	NH4	32.00	29.50	41.00	930	F	SCD 7
175	DM175KDC	NH4	32.00	29.50	41.00	1100	F	SCD 7
220	DM220KDC	NH4	32.00	29.50	41.00	1450	F	SCD 9
275	DM275KDC	NJ1	39.50	34.00	51.50	1680	F	SCD 9
330	DM330KDC	NJ1	39.50	34.00	51.50	1850	F	SCD 9
440	DM440KDC	NJ2	48.50	38.40	59.00	2350	F	SCD 10
550	DM550KDC	NJ2	48.50	38.40	59.00	2800	F	SCD 10
660	DM660KDC	NJ3	51.50	43.40	66.00	3250	F	SCD 10

For shielded units, please replace the suffix "C" with a 'K' on the above part numbers. (i.e. DM075KDK)

\*WALL MOUNTING KIT AND/OR DRIP PLATE KIT REQUIRED. REFER TO PAGES 276 TO 277 FOR DETAILS.

480 Delta Primary Volts

480Y Secondary Volts

60 Hz

kVA	Catalog Number	Case Style (Pages 264 - 272)	Dimensions			Approx. Weight (Lbs.)	Mtg Type W - Wall F - Floor	Wiring Diagram (Pages 281 - 293)
			Width	Depth	Height			
7.5	DM007KCCN	NH5	19.40	20.20	21.50	150	F or W *	SCD 8
11	DM011KCCN	NH5	19.40	20.20	21.50	170	F or W *	SCD 8
14	DM014KCCN	NH5	19.40	20.20	21.50	210	F or W *	SCD 8
20	DM020KCCN	NH6	23.90	25.00	28.75	270	F or W *	SCD 7
27	DM027KCCN	NH6	23.90	25.00	28.75	330	F or W *	SCD 7
34	DM034KCCN	NH6	23.90	25.00	28.75	350	F or W *	SCD 7
40	DM040KCC	NH6	23.90	25.00	28.75	380	F or W *	SCD 7
51	DM051KCC	NH6	23.90	25.00	28.75	450	F or W *	SCD 7
63	DM063KCC	NH3	26.00	25.00	38.00	550	F or W *	SCD 7
75	DM075KCC	NH3	26.00	25.00	38.00	600	F or W *	SCD 7
93	DM093KCC	NH3	26.00	25.00	38.00	630	F or W *	SCD 7
118	DM118KCC	NH3	26.00	25.00	38.00	880	F	SCD 7
145	DM145KCC	NH4	32.00	29.50	41.00	930	F	SCD 7
175	DM175KCC	NH4	32.00	29.50	41.00	1100	F	SCD 7
220	DM220KCC	NH4	32.00	29.50	41.00	1450	F	SCD 9
275	DM275KCC	NJ1	39.50	34.00	51.50	1680	F	SCD 9
330	DM330KCC	NJ1	39.50	34.00	51.50	1850	F	SCD 9
440	DM440KCC	NJ2	48.50	38.40	59.00	2350	F	SCD 10
550	DM550KCC	NJ2	48.50	38.40	59.00	2800	F	SCD 10
660	DM660KCC	NJ3	51.50	43.40	66.00	3250	F	SCD 10

For shielded units, please replace the suffix "C" with a 'K' on the above part numbers. (i.e. DM075KCC)

\*WALL MOUNTING KIT AND/OR DRIP PLATE KIT REQUIRED. REFER TO PAGES 276 TO 277 FOR DETAILS.



## Selection Tables

Listed below are our standard voltages. Other primary and secondary voltages available are 240, 380 and 600.



### COPPER WOUND, THREE PHASE

575 Delta Primary Volts

460Y Secondary Volts

60 Hz

kVA	Catalog Number	Case Style (Pages 264 - 272)	Dimensions			Approx. Weight (Lbs.)	Mtg Type W - Wall F - Floor	Wiring Diagram (Pages 281 - 293)
			Width	Depth	Height			
7.5	DM007NJC	NH5	19.40	20.20	21.50	150	F or W *	SCD 8
11	DM011NJC	NH5	19.40	20.20	21.50	170	F or W *	SCD 8
14	DM014NJC	NH5	19.40	20.20	21.50	210	F or W *	SCD 8
20	DM020NJC	NH6	23.90	25.00	28.75	270	F or W *	SCD 7
27	DM027NJC	NH6	23.90	25.00	28.75	330	F or W *	SCD 7
34	DM034NJC	NH6	23.90	25.00	28.75	350	F or W *	SCD 7
40	DM040NJC	NH6	23.90	25.00	28.75	380	F or W *	SCD 7
51	DM051NJC	NH6	23.90	25.00	28.75	450	F or W *	SCD 7
63	DM063NJC	NH3	26.00	25.00	38.00	550	F or W *	SCD 7
75	DM075NJC	NH3	26.00	25.00	38.00	600	F or W *	SCD 7
93	DM093NJC	NH3	26.00	25.00	38.00	630	F or W *	SCD 7
118	DM118NJC	NH3	26.00	25.00	38.00	880	F	SCD 7
145	DM145NJC	NH4	32.00	29.50	41.00	930	F	SCD 7
175	DM175NJC	NH4	32.00	29.50	41.00	1100	F	SCD 7
220	DM220NJC	NH4	32.00	29.50	41.00	1450	F	SCD 9
275	DM275NJC	NJ1	39.50	34.00	51.50	1680	F	SCD 9
330	DM330NJC	NJ1	39.50	34.00	51.50	1850	F	SCD 9
440	DM440NJC	NJ2	48.50	38.40	59.00	2350	F	SCD 10
550	DM550NJC	NJ2	48.50	38.40	59.00	2800	F	SCD 10
660	DM660NJC	NJ3	51.50	43.40	66.00	3250	F	SCD 10

For shielded units, please replace the suffix "C" with a 'K' on the above part numbers. (i.e. DM075NJK)

\*WALL MOUNTING KIT AND/OR DRIP PLATE KIT REQUIRED. REFER TO PAGES 276 TO 277 FOR DETAILS.

575 Delta Primary Volts

575Y Secondary Volts

60 Hz

kVA	Catalog Number	Case Style (Pages 264 - 272)	Dimensions			Approx. Weight (Lbs.)	Mtg Type W - Wall F - Floor	Wiring Diagram (Pages 281 - 293)
			Width	Depth	Height			
7.5	DM007NNCN	NH5	19.40	20.20	21.50	150	F or W *	SCD 8
11	DM011NNCN	NH5	19.40	20.20	21.50	170	F or W *	SCD 8
14	DM014NNCN	NH5	19.40	20.20	21.50	210	F or W *	SCD 8
20	DM020NNCN	NH6	23.90	25.00	28.75	270	F or W *	SCD 7
27	DM027NNCN	NH6	23.90	25.00	28.75	330	F or W *	SCD 7
34	DM034NNCN	NH6	23.90	25.00	28.75	350	F or W *	SCD 7
40	DM040NNCN	NH6	23.90	25.00	28.75	380	F or W *	SCD 7
51	DM051NNC	NH6	23.90	25.00	28.75	450	F or W *	SCD 7
63	DM063NNC	NH3	26.00	25.00	38.00	550	F or W *	SCD 7
75	DM075NNC	NH3	26.00	25.00	38.00	600	F or W *	SCD 7
93	DM093NNC	NH3	26.00	25.00	38.00	630	F or W *	SCD 7
118	DM118NNC	NH3	26.00	25.00	38.00	880	F	SCD 7
145	DM145NNC	NH4	32.00	29.50	41.00	930	F	SCD 7
175	DM175NNC	NH4	32.00	29.50	41.00	1100	F	SCD 7
220	DM220NNC	NH4	32.00	29.50	41.00	1450	F	SCD 9
275	DM275NNC	NJ1	39.50	34.00	51.50	1680	F	SCD 9
330	DM330NNC	NJ1	39.50	34.00	51.50	1850	F	SCD 9
440	DM440NNC	NJ2	48.50	38.40	59.00	2350	F	SCD 10
550	DM550NNC	NJ2	48.50	38.40	59.00	2800	F	SCD 10
660	DM660NNC	NJ3	51.50	43.40	66.00	3250	F	SCD 10

For shielded units, please replace the suffix "C" with a 'K' on the above part numbers. (i.e. DM075NNK)

\*WALL MOUNTING KIT AND/OR DRIP PLATE KIT REQUIRED. REFER TO PAGES 276 TO 277 FOR DETAILS.

Products listed on this page are available as 'CE Mark' products. Please consult our sales office.

FOR TERMINATION DETAILS SEE PAGE 139

FOR ACCESSORIES SEE PAGES 276 TO 278

Data subject to change without notice.



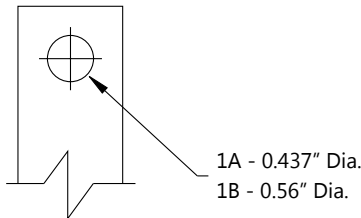
## TERMINATION DETAILS



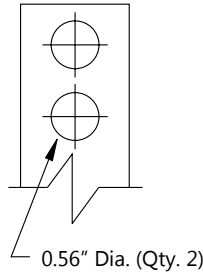
### THREE PHASE, ALUMINUM AND COPPER TERMINATION - LUGS OR PADS

kVA	VOLTAGE							
	208	230	240	380	460	480	575	600
7.5	Lugs	Lugs	Lugs	Lugs	Lugs	Lugs	Lugs	Lugs
11	Lugs	Lugs	Lugs	Lugs	Lugs	Lugs	Lugs	Lugs
14	Lugs	Lugs	Lugs	Lugs	Lugs	Lugs	Lugs	Lugs
20	Lugs	Lugs	Lugs	Lugs	Lugs	Lugs	Lugs	Lugs
27	Lugs	Lugs	Lugs	Lugs	Lugs	Lugs	Lugs	Lugs
34	Lugs	Lugs	Lugs	Lugs	Lugs	Lugs	Lugs	Lugs
40	Lugs	Lugs	Lugs	Lugs	Lugs	Lugs	Lugs	Lugs
51	Lugs	Lugs	Lugs	Lugs	Lugs	Lugs	Lugs	Lugs
63	Lugs	Lugs	Lugs	Lugs	Lugs	Lugs	Lugs	Lugs
75	Lugs	Lugs	Lugs	Lugs	Lugs	Lugs	Lugs	Lugs
93	Lugs	Lugs	Lugs	Lugs	Lugs	Lugs	Lugs	Lugs
118	Diagram 1A	Diagram 1A	Diagram 1A	Lugs	Lugs	Lugs	Lugs	Lugs
145	Diagram 1A	Diagram 1A	Diagram 1A	Lugs	Lugs	Lugs	Lugs	Lugs
175	Diagram 1A	Diagram 1A	Diagram 1A	Lugs	Lugs	Lugs	Lugs	Lugs
220	Diagram 2	Diagram 1A	Diagram 1A	Diagram 1A	Diagram 1A	Lugs	Lugs	Lugs
275	Diagram 2	Diagram 2	Diagram 2	Diagram 1A	Diagram 1A	Diagram 1A	Diagram 1A	Lugs
330	Diagram 2	Diagram 2	Diagram 2	Diagram 1A	Diagram 1A	Diagram 1A	Diagram 1A	Diagram 1A
440	Diagram 3	Diagram 3	Diagram 3	Diagram 2	Diagram 1A	Diagram 1A	Diagram 1A	Diagram 1A
550	Diagram 3	Diagram 3	Diagram 3	Diagram 2	Diagram 2	Diagram 2	Diagram 1A	Diagram 1A
660	Diagram 3	Diagram 3	Diagram 3	Diagram 3	Diagram 2	Diagram 2	Diagram 2	Diagram 2

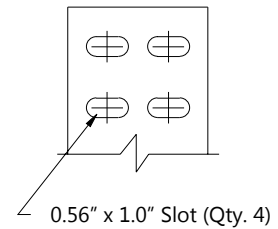
SECTION 4



**DIAGRAM 1**



**DIAGRAM 2**



**DIAGRAM 3**



## HPS Tribune

### Energy Efficient (TP1/C802.2) Drive Isolation Transformers

#### ALUMINUM AND COPPER WOUND FEATURES

#### THREE PHASE SPECIFICATIONS



	7.5 to 175 kVA	220 to 660 kVA
<b>Efficiency</b>	Meets TP1/C802.2 efficiencies at 35% of rated load. Efficiencies are calculated under a linear load profile. Note: Energy efficient drive isolation transformers are not required by law in the U.S. Please refer to the standard drive isolation transformers on pages 121-130.	
<b>UL Listed</b>	File: E112313	File: E112313
<b>CSA Certified</b>	File: LR3902	File: LR3902
<b>Frequency</b>	60 Hz	60 Hz
<b>Insulation System</b>	220°C (150°C rise) 200°C (130°C rise) on some Copper units up to 40kVA	220°C (150°C rise) (Optional 115°C and 80°C rise available)
<b>Enclosure Type</b>	Heavy Duty Ventilated Type 3R Optional Type 4, 4X(stainless steel) and 12	Heavy Duty Ventilated Type 3R Optional Type 4, 4X(stainless steel) and 12
<b>Enclosure Finish</b>	ANSI 61 Grey, UL50	ANSI 61 Grey, UL50
<b>Neutral</b>	Neutral terminal for field connection (on applicable units).	Neutral terminal for field connection (on applicable units).
<b>Standard Primary Taps</b>	Refer to wiring diagrams for details.	Refer to wiring diagrams for details.
<b>Termination</b>	Front accessible separate high and low voltage terminations, suitable for copper and aluminum are provided for easy cable installation.	Front accessible separate high and low voltage terminations, suitable for copper and aluminum are provided for easy cable installation.
<b>Thermostat</b>	Standard on all units.	Standard on all units.
<b>Conduit Knock-Outs</b>	Standard on all units (no knock-outs on Stainless Steel enclosures).	None
<b>Impedance</b>	Typically 3 to 6%	Typically 3 to 6%
<b>Mounting</b>	Floor mounting available on all units. Wall & ceiling mount available on units up to 750 lbs. Refer to selection tables for details.	Floor mounting only.
<b>Short Circuit Withstand</b>	Meets UL and CSA short circuit withstand requirements.	Meets UL and CSA short circuit withstand requirements.

SECTION 4



FOR TERMINATION DETAILS SEE PAGE 150

FOR ACCESSORIES SEE PAGES 276 TO 278



## Selection Tables

Listed below are our standard voltages. Other primary and secondary voltages available are 240, 380 and 600.



### ALUMINUM WOUND, THREE PHASE

208 Delta Primary Volts

480Y Secondary Volts

60 Hz

kVA	Catalog Number	Case Style (Pages 264 - 272)	Dimensions			Approx. Weight (Lbs.)	Mtg Type W - Wall F - Floor	Wiring Diagram (Pages 281 - 293)
			Width	Depth	Height			
7.5	Outside of C802.2/TP1 guidelines, refer to Non-Energy Efficient Drive Isolation Transformers on page 130							
11	Outside of C802.2/TP1 guidelines, refer to Non-Energy Efficient Drive Isolation Transformers on page 130							
14	Outside of C802.2/TP1 guidelines, refer to Non-Energy Efficient Drive Isolation Transformers on page 130							
20	DE020BK	NH6	23.90	25.00	28.75	240	F or W *	SCD 7
27	DE027BK	NH6	23.90	25.00	28.75	300	F or W *	SCD 7
34	DE034BK	NH6	23.90	25.00	28.75	330	F or W *	SCD 7
40	DE040BK	NH6	23.90	25.00	28.75	350	F or W *	SCD 7
51	DE051BK	NH6	23.90	25.00	28.75	430	F or W *	SCD 7
63	DE063BK	NH3	26.00	25.00	38.00	530	F or W *	SCD 7
75	DE075BK	NH3	26.00	25.00	38.00	580	F or W *	SCD 7
93	DE093BK	NH3	26.00	25.00	38.00	630	F or W *	SCD 7
118	DE118BK	NH3	26.00	25.00	38.00	730	F or W *	SCD 7
145	DE145BK	NH4	32.00	29.50	41.00	830	F	SCD 7
175	DE175BK	NH4	32.00	29.50	41.00	930	F	SCD 7
220	DE220BK	NH4	32.00	29.50	41.00	1350	F	SCD 9
275	DE275BK	NJ1	39.50	34.00	51.50	1500	F	SCD 9
330	DE330BK	NJ1	39.50	34.00	51.50	1700	F	SCD 9
440	DE440BK	NJ2	48.50	38.40	59.00	2100	F	SCD 10
550	DE550BK	NJ2	48.50	38.40	59.00	2350	F	SCD 10
660	DE660BK	NJ3	51.50	43.40	66.00	2900	F	SCD 10

For shielded units, please add the suffix "S" to the above part numbers. (i.e. DE075BKS)

\*WALL MOUNTING KIT AND/OR DRIP PLATE KIT REQUIRED. REFER TO PAGES 276 TO 277 FOR DETAILS.

230 Delta Primary Volts

230Y Secondary Volts

60 Hz

kVA	Catalog Number	Case Style (Pages 264 - 272)	Dimensions			Approx. Weight (Lbs.)	Mtg Type W - Wall F - Floor	Wiring Diagram (Pages 281 - 293)
			Width	Depth	Height			
7.5	Outside of C802.2/TP1 guidelines, refer to Non-Energy Efficient Drive Isolation Transformers on page 130							
11	Outside of C802.2/TP1 guidelines, refer to Non-Energy Efficient Drive Isolation Transformers on page 130							
14	Outside of C802.2/TP1 guidelines, refer to Non-Energy Efficient Drive Isolation Transformers on page 130							
20	DE020CC	NH6	23.90	25.00	28.75	240	F or W *	SCD 7
27	DE027CC	NH6	23.90	25.00	28.75	300	F or W *	SCD 7
34	DE034CC	NH6	23.90	25.00	28.75	330	F or W *	SCD 7
40	DE040CC	NH6	23.90	25.00	28.75	350	F or W *	SCD 7
51	DE051CC	NH6	23.90	25.00	28.75	430	F or W *	SCD 7
63	DE063CC	NH3	26.00	25.00	38.00	530	F or W *	SCD 7
75	DE075CC	NH3	26.00	25.00	38.00	580	F or W *	SCD 7
93	DE093CC	NH3	26.00	25.00	38.00	630	F or W *	SCD 7
118	DE118CC	NH3	26.00	25.00	38.00	730	F or W *	SCD 7
145	DE145CC	NH4	32.00	29.50	41.00	830	F	SCD 7
175	DE175CC	NH4	32.00	29.50	41.00	930	F	SCD 7
220	DE220CC	NH4	32.00	29.50	41.00	1350	F	SCD 9
275	DE275CC	NJ1	39.50	34.00	51.50	1500	F	SCD 9
330	DE330CC	NJ1	39.50	34.00	51.50	1700	F	SCD 9
440	DE440CC	NJ2	48.50	38.40	59.00	2100	F	SCD 10
550	DE550CC	NJ2	48.50	38.40	59.00	2350	F	SCD 10
660	DE660CC	NJ3	51.50	43.40	66.00	2900	F	SCD 10

For shielded units, please add the suffix "S" to the above part numbers. (i.e. DE075CCS)

\*WALL MOUNTING KIT AND/OR DRIP PLATE KIT REQUIRED. REFER TO PAGES 276 TO 277 FOR DETAILS.

Products listed on this page are available as 'CE Mark' products. Please consult our sales office.

FOR TERMINATION DETAILS SEE PAGE 150

FOR ACCESSORIES SEE PAGES 276 TO 278

Data subject to change without notice.



## Selection Tables

Listed below are our standard voltages. Other primary and secondary voltages available are 240, 380 and 600.



### ALUMINUM WOUND, THREE PHASE

460 Delta Primary Volts

230Y Secondary Volts

60 Hz

kVA	Catalog Number	Case Style (Pages 264 - 272)	Dimensions			Approx. Weight (Lbs.)	Mtg Type W - Wall F - Floor	Wiring Diagram (Pages 281 - 293)
			Width	Depth	Height			
7.5	Outside of C802.2/TP1 guidelines, refer to Non-Energy Efficient Drive Isolation Transformers on page 131							
11	Outside of C802.2/TP1 guidelines, refer to Non-Energy Efficient Drive Isolation Transformers on page 131							
14	Outside of C802.2/TP1 guidelines, refer to Non-Energy Efficient Drive Isolation Transformers on page 131							
20	DE020JC	NH6	23.90	25.00	28.75	240	F or W *	SCD 7
27	DE027JC	NH6	23.90	25.00	28.75	300	F or W *	SCD 7
34	DE034JC	NH6	23.90	25.00	28.75	330	F or W *	SCD 7
40	DE040JC	NH6	23.90	25.00	28.75	350	F or W *	SCD 7
51	DE051JC	NH6	23.90	25.00	28.75	430	F or W *	SCD 7
63	DE063JC	NH3	26.00	25.00	38.00	530	F or W *	SCD 7
75	DE075JC	NH3	26.00	25.00	38.00	580	F or W *	SCD 7
93	DE093JC	NH3	26.00	25.00	38.00	630	F or W *	SCD 7
118	DE118JC	NH3	26.00	25.00	38.00	730	F or W *	SCD 7
145	DE145JC	NH4	32.00	29.50	41.00	830	F	SCD 7
175	DE175JC	NH4	32.00	29.50	41.00	930	F	SCD 7
220	DE220JC	NH4	32.00	29.50	41.00	1350	F	SCD 9
275	DE275JC	NJ1	39.50	34.00	51.50	1500	F	SCD 9
330	DE330JC	NJ1	39.50	34.00	51.50	1700	F	SCD 9
440	DE440JC	NJ2	48.50	38.40	59.00	2100	F	SCD 10
550	DE550JC	NJ2	48.50	38.40	59.00	2350	F	SCD 10
660	DE660JC	NJ3	51.50	43.40	66.00	2900	F	SCD 10

For shielded units, please add the suffix "S" to the above part numbers. (i.e. DE075JCS)

\*WALL MOUNTING KIT AND/OR DRIP PLATE KIT REQUIRED. REFER TO PAGES 276 TO 277 FOR DETAILS.

460 Delta Primary Volts

400Y Secondary Volts

60 Hz

kVA	Catalog Number	Case Style (Pages 264 - 272)	Dimensions			Approx. Weight (Lbs.)	Mtg Type W - Wall F - Floor	Wiring Diagram (Pages 281 - 293)
			Width	Depth	Height			
7.5	Outside of C802.2/TP1 guidelines, refer to Non-Energy Efficient Drive Isolation Transformers on page 131							
11	Outside of C802.2/TP1 guidelines, refer to Non-Energy Efficient Drive Isolation Transformers on page 131							
14	Outside of C802.2/TP1 guidelines, refer to Non-Energy Efficient Drive Isolation Transformers on page 131							
20	DE020JH	NH6	23.90	25.00	28.75	240	F or W *	SCD 7
27	DE027JH	NH6	23.90	25.00	28.75	300	F or W *	SCD 7
34	DE034JH	NH6	23.90	25.00	28.75	330	F or W *	SCD 7
40	DE040JH	NH6	23.90	25.00	28.75	350	F or W *	SCD 7
51	DE051JH	NH6	23.90	25.00	28.75	430	F or W *	SCD 7
63	DE063JH	NH3	26.00	25.00	38.00	530	F or W *	SCD 7
75	DE075JH	NH3	26.00	25.00	38.00	580	F or W *	SCD 7
93	DE093JH	NH3	26.00	25.00	38.00	630	F or W *	SCD 7
118	DE118JH	NH3	26.00	25.00	38.00	730	F or W *	SCD 7
145	DE145JH	NH4	32.00	29.50	41.00	830	F	SCD 7
175	DE175JH	NH4	32.00	29.50	41.00	930	F	SCD 7
220	DE220JH	NH4	32.00	29.50	41.00	1350	F	SCD 9
275	DE275JH	NJ1	39.50	34.00	51.50	1500	F	SCD 9
330	DE330JH	NJ1	39.50	34.00	51.50	1700	F	SCD 9
440	DE440JH	NJ2	48.50	38.40	59.00	2100	F	SCD 10
550	DE550JH	NJ2	48.50	38.40	59.00	2350	F	SCD 10
660	DE660JH	NJ3	51.50	43.40	66.00	2900	F	SCD 10

For shielded units, please add the suffix "S" to the above part numbers. (i.e. DE075JHS)

\*WALL MOUNTING KIT AND/OR DRIP PLATE KIT REQUIRED. REFER TO PAGES 276 TO 277 FOR DETAILS.

Products listed on this page are available as 'CE Mark' products. Please consult our sales office.

FOR TERMINATION DETAILS SEE PAGE 150

FOR ACCESSORIES SEE PAGES 276 TO 278

Data subject to change without notice.



## Selection Tables

Listed below are our standard voltages. Other primary and secondary voltages available are 240, 380 and 600.



### ALUMINUM WOUND, THREE PHASE

460 Delta Primary Volts

460Y Secondary Volts

60 Hz

kVA	Catalog Number	Case Style (Pages 264 - 272)	Dimensions			Approx. Weight (Lbs.)	Mtg Type W - Wall F - Floor	Wiring Diagram (Pages 281 - 293)
			Width	Depth	Height			
7.5	Outside of C802.2/TP1 guidelines, refer to Non-Energy Efficient Drive Isolation Transformers on page 132							
11	Outside of C802.2/TP1 guidelines, refer to Non-Energy Efficient Drive Isolation Transformers on page 132							
14	Outside of C802.2/TP1 guidelines, refer to Non-Energy Efficient Drive Isolation Transformers on page 132							
20	DE020JJ	NH6	23.90	25.00	28.75	240	F or W *	SCD 7
27	DE027JJ	NH6	23.90	25.00	28.75	300	F or W *	SCD 7
34	DE034JJ	NH6	23.90	25.00	28.75	330	F or W *	SCD 7
40	DE040JJ	NH6	23.90	25.00	28.75	350	F or W *	SCD 7
51	DE051JJ	NH6	23.90	25.00	28.75	430	F or W *	SCD 7
63	DE063JJ	NH3	26.00	25.00	38.00	530	F or W *	SCD 7
75	DE075JJ	NH3	26.00	25.00	38.00	580	F or W *	SCD 7
93	DE093JJ	NH3	26.00	25.00	38.00	630	F or W *	SCD 7
118	DE118JJ	NH3	26.00	25.00	38.00	730	F or W *	SCD 7
145	DE145JJ	NH4	32.00	29.50	41.00	830	F	SCD 7
175	DE175JJ	NH4	32.00	29.50	41.00	930	F	SCD 7
220	DE220JJ	NH4	32.00	29.50	41.00	1350	F	SCD 9
275	DE275JJ	NJ1	39.50	34.00	51.50	1500	F	SCD 9
330	DE330JJ	NJ1	39.50	34.00	51.50	1700	F	SCD 9
440	DE440JJ	NJ2	48.50	38.40	59.00	2100	F	SCD 10
550	DE550JJ	NJ2	48.50	38.40	59.00	2350	F	SCD 10
660	DE660JJ	NJ3	51.50	43.40	66.00	2900	F	SCD 10

For shielded units, please add the suffix "S" to the above part numbers. (i.e. DE075JJS)

\*WALL MOUNTING KIT AND/OR DRIP PLATE KIT REQUIRED. REFER TO PAGES 276 TO 277 FOR DETAILS.

480 Delta Primary Volts

240Y Secondary Volts

60 Hz

kVA	Catalog Number	Case Style (Pages 264 - 272)	Dimensions			Approx. Weight (Lbs.)	Mtg Type W - Wall F - Floor	Wiring Diagram (Pages 281 - 293)
			Width	Depth	Height			
7.5	Outside of C802.2/TP1 guidelines, refer to Non-Energy Efficient Drive Isolation Transformers on page 132							
11	Outside of C802.2/TP1 guidelines, refer to Non-Energy Efficient Drive Isolation Transformers on page 132							
14	Outside of C802.2/TP1 guidelines, refer to Non-Energy Efficient Drive Isolation Transformers on page 132							
20	DE020KD	NH6	23.90	25.00	28.75	240	F or W *	SCD 7
27	DE027KD	NH6	23.90	25.00	28.75	300	F or W *	SCD 7
34	DE034KD	NH6	23.90	25.00	28.75	330	F or W *	SCD 7
40	DE040KD	NH6	23.90	25.00	28.75	350	F or W *	SCD 7
51	DE051KD	NH6	23.90	25.00	28.75	430	F or W *	SCD 7
63	DE063KD	NH3	26.00	25.00	38.00	530	F or W *	SCD 7
75	DE075KD	NH3	26.00	25.00	38.00	580	F or W *	SCD 7
93	DE093KD	NH3	26.00	25.00	38.00	630	F or W *	SCD 7
118	DE118KD	NH3	26.00	25.00	38.00	730	F or W *	SCD 7
145	DE145KD	NH4	32.00	29.50	41.00	830	F	SCD 7
175	DE175KD	NH4	32.00	29.50	41.00	930	F	SCD 7
220	DE220KD	NH4	32.00	29.50	41.00	1350	F	SCD 9
275	DE275KD	NJ1	39.50	34.00	51.50	1500	F	SCD 9
330	DE330KD	NJ1	39.50	34.00	51.50	1700	F	SCD 9
440	DE440KD	NJ2	48.50	38.40	59.00	2100	F	SCD 10
550	DE550KD	NJ2	48.50	38.40	59.00	2350	F	SCD 10
660	DE660KD	NJ3	51.50	43.40	66.00	2900	F	SCD 10

For shielded units, please add the suffix "S" to the above part numbers. (i.e. DE075KDS)

\*WALL MOUNTING KIT AND/OR DRIP PLATE KIT REQUIRED. REFER TO PAGES 276 TO 277 FOR DETAILS.

Products listed on this page are available as 'CE Mark' products. Please consult our sales office.

FOR TERMINATION DETAILS SEE PAGE 150

FOR ACCESSORIES SEE PAGES 276 TO 278



## Selection Tables

Listed below are our standard voltages. Other primary and secondary voltages available are 240, 380 and 600.



### ALUMINUM WOUND, THREE PHASE

480 Delta Primary Volts

480Y Secondary Volts

60 Hz

kVA	Catalog Number	Case Style (Pages 264 - 272)	Dimensions			Approx. Weight (Lbs.)	Mtg Type W - Wall F - Floor	Wiring Diagram (Pages 281 - 293)
			Width	Depth	Height			
7.5	Outside of C802.2/TP1 guidelines, refer to Non-Energy Efficient Drive Isolation Transformers on page 133							
11	Outside of C802.2/TP1 guidelines, refer to Non-Energy Efficient Drive Isolation Transformers on page 133							
14	Outside of C802.2/TP1 guidelines, refer to Non-Energy Efficient Drive Isolation Transformers on page 133							
20	DE020KK	NH6	23.90	25.00	28.75	240	F or W *	SCD 7
27	DE027KK	NH6	23.90	25.00	28.75	300	F or W *	SCD 7
34	DE034KK	NH6	23.90	25.00	28.75	330	F or W *	SCD 7
40	DE040KK	NH6	23.90	25.00	28.75	350	F or W *	SCD 7
51	DE051KK	NH6	23.90	25.00	28.75	430	F or W *	SCD 7
63	DE063KK	NH3	26.00	25.00	38.00	530	F or W *	SCD 7
75	DE075KK	NH3	26.00	25.00	38.00	580	F or W *	SCD 7
93	DE093KK	NH3	26.00	25.00	38.00	630	F or W *	SCD 7
118	DE118KK	NH3	26.00	25.00	38.00	730	F or W *	SCD 7
145	DE145KK	NH4	32.00	29.50	41.00	830	F	SCD 7
175	DE175KK	NH4	32.00	29.50	41.00	930	F	SCD 7
220	DE220KK	NH4	32.00	29.50	41.00	1350	F	SCD 9
275	DE275KK	NJ1	39.50	34.00	51.50	1500	F	SCD 9
330	DE330KK	NJ1	39.50	34.00	51.50	1700	F	SCD 9
440	DE440KK	NJ2	48.50	38.40	59.00	2100	F	SCD 10
550	DE550KK	NJ2	48.50	38.40	59.00	2350	F	SCD 10
660	DE660KK	NJ3	51.50	43.40	66.00	2900	F	SCD 10

For shielded units, please add the suffix "S" to the above part numbers. (i.e. DE075KKS)

\*WALL MOUNTING KIT AND/OR DRIP PLATE KIT REQUIRED. REFER TO PAGES 276 TO 277 FOR DETAILS.

575 Delta Primary Volts

460Y Secondary Volts

60 Hz

kVA	Catalog Number	Case Style (Pages 264 - 272)	Dimensions			Approx. Weight (Lbs.)	Mtg Type W - Wall F - Floor	Wiring Diagram (Pages 281 - 293)
			Width	Depth	Height			
7.5	Outside of C802.2/TP1 guidelines, refer to Non-Energy Efficient Drive Isolation Transformers on page 133							
11	Outside of C802.2/TP1 guidelines, refer to Non-Energy Efficient Drive Isolation Transformers on page 133							
14	Outside of C802.2/TP1 guidelines, refer to Non-Energy Efficient Drive Isolation Transformers on page 133							
20	DE020NJ	NH6	23.90	25.00	28.75	300	F or W *	SCD 7
27	DE027NJ	NH6	23.90	25.00	28.75	300	F or W *	SCD 7
34	DE034NJ	NH6	23.90	25.00	28.75	360	F or W *	SCD 7
40	DE040NJ	NH6	23.90	25.00	28.75	390	F or W *	SCD 7
51	DE051NJ	NH6	23.90	25.00	28.75	410	F or W *	SCD 7
63	DE063NJ	NH3	26.00	25.00	38.00	560	F or W *	SCD 7
75	DE075NJ	NH3	26.00	25.00	38.00	600	F or W *	SCD 7
93	DE093NJ	NH3	26.00	25.00	38.00	780	F or W *	SCD 7
118	DE118NJ	NH3	26.00	25.00	38.00	880	F or W *	SCD 7
145	DE145NJ	NH4	32.00	29.50	41.00	1050	F	SCD 7
175	DE175NJ	NH4	32.00	29.50	41.00	1200	F	SCD 7
220	DE220NJ	NJ1	39.50	34.00	51.50	1650	F	SCD 9
275	DE275NJ	NJ1	39.50	34.00	51.50	1900	F	SCD 9
330	DE330NJ	NJ1	39.50	34.00	51.50	2000	F	SCD 9
440	DE440NJ	NJ2	48.50	38.40	59.00	3000	F	SCD 10
550	DE550NJ	NJ2	48.50	38.40	59.00	3000	F	SCD 10
660	DE660NJ	NJ3	51.50	43.40	66.00	2900	F	SCD 10

For shielded units, please add the suffix "S" to the above part numbers. (i.e. DE075NJS)

\*WALL MOUNTING KIT AND/OR DRIP PLATE KIT REQUIRED. REFER TO PAGES 276 TO 277 FOR DETAILS.

Products listed on this page are available as 'CE Mark' products. Please consult our sales office.

FOR TERMINATION DETAILS SEE PAGE 150

FOR ACCESSORIES SEE PAGES 276 TO 278



## Selection Tables

Listed below are our standard voltages. Other primary and secondary voltages available are 240, 380 and 600.



### ALUMINUM WOUND, THREE PHASE

575 Delta Primary Volts

575Y Secondary Volts

60 Hz

kVA	Catalog Number	Case Style (Pages 264 - 272)	Dimensions			Approx. Weight (Lbs.)	Mtg Type W - Wall F - Floor	Wiring Diagram (Pages 281 - 293)
			Width	Depth	Height			
7.5	Outside of C802.2/TP1 guidelines, refer to Non-Energy Efficient Drive Isolation Transformers on page 134							
11	Outside of C802.2/TP1 guidelines, refer to Non-Energy Efficient Drive Isolation Transformers on page 134							
14	Outside of C802.2/TP1 guidelines, refer to Non-Energy Efficient Drive Isolation Transformers on page 134							
20	DE020NN	NH6	23.90	25.00	28.75	240	F or W *	SCD 7
27	DE027NN	NH6	23.90	25.00	28.75	300	F or W *	SCD 7
34	DE034NN	NH6	23.90	25.00	28.75	330	F or W *	SCD 7
40	DE040NN	NH6	23.90	25.00	28.75	350	F or W *	SCD 7
51	DE051NN	NH6	23.90	25.00	28.75	430	F or W *	SCD 7
63	DE063NN	NH3	26.00	25.00	38.00	530	F or W *	SCD 7
75	DE075NN	NH3	26.00	25.00	38.00	580	F or W *	SCD 7
93	DE093NN	NH3	26.00	25.00	38.00	630	F or W *	SCD 7
118	DE118NN	NH3	26.00	25.00	38.00	730	F or W *	SCD 7
145	DE145NN	NH4	32.00	29.50	41.00	830	F	SCD 7
175	DE175NN	NH4	32.00	29.50	41.00	930	F	SCD 7
220	DE220NN	NH4	32.00	29.50	41.00	1350	F	SCD 9
275	DE275NN	NJ1	39.50	34.00	51.50	1500	F	SCD 9
330	DE330NN	NJ1	39.50	34.00	51.50	1700	F	SCD 9
440	DE440NN	NJ2	48.50	38.40	59.00	2100	F	SCD 10
550	DE550NN	NJ2	48.50	38.40	59.00	2350	F	SCD 10
660	DE660NN	NJ3	51.50	43.40	66.00	2900	F	SCD 10

For shielded units, please add the suffix "S" to the above part numbers. (i.e. DE075NNS)

\*WALL MOUNTING KIT AND/OR DRIP PLATE KIT REQUIRED. REFER TO PAGES 276 TO 277 FOR DETAILS.

### COPPER WOUND, THREE PHASE

208 Delta Primary Volts

480Y Secondary Volts

60 Hz

kVA	Catalog Number	Case Style (Pages 264 - 272)	Dimensions			Approx. Weight (Lbs.)	Mtg Type W - Wall F - Floor	Wiring Diagram (Pages 281 - 293)
			Width	Depth	Height			
7.5	Outside of C802.2/TP1 guidelines, refer to Non-Energy Efficient Drive Isolation Transformers on page 134							
11	Outside of C802.2/TP1 guidelines, refer to Non-Energy Efficient Drive Isolation Transformers on page 134							
14	Outside of C802.2/TP1 guidelines, refer to Non-Energy Efficient Drive Isolation Transformers on page 134							
20	DE020BKC	NH6	23.90	25.00	28.75	270	F or W *	SCD 7
27	DE027BKC	NH6	23.90	25.00	28.75	330	F or W *	SCD 7
34	DE034BKC	NH6	23.90	25.00	28.75	350	F or W *	SCD 7
40	DE040BKC	NH6	23.90	25.00	28.75	380	F or W *	SCD 7
51	DE051BKC	NH6	23.90	25.00	28.75	450	F or W *	SCD 7
63	DE063BKC	NH3	26.00	25.00	38.00	550	F or W *	SCD 7
75	DE075BKC	NH3	26.00	25.00	38.00	600	F or W *	SCD 7
93	DE093BKC	NH3	26.00	25.00	38.00	630	F or W *	SCD 7
118	DE118BKC	NH3	26.00	25.00	38.00	880	F	SCD 7
145	DE145BKC	NH4	32.00	29.50	41.00	930	F	SCD 7
175	DE175BKC	NH4	32.00	29.50	41.00	1100	F	SCD 7
220	DE220BKC	NH4	32.00	29.50	41.00	1450	F	SCD 9
275	DE275BKC	NJ1	39.50	34.00	51.50	1680	F	SCD 9
330	DE330BKC	NJ1	39.50	34.00	51.50	1850	F	SCD 9
440	DE440BKC	NJ2	48.50	38.40	59.00	2350	F	SCD 10
550	DE550BKC	NJ2	48.50	38.40	59.00	2800	F	SCD 10
660	DE660BKC	NJ3	51.50	43.40	66.00	3250	F	SCD 10

For shielded units, please replace the suffix "C" with a 'K' on the above part numbers. (i.e. DE075BKK)

\*WALL MOUNTING KIT AND/OR DRIP PLATE KIT REQUIRED. REFER TO PAGES 276 TO 277 FOR DETAILS.

Products listed on this page are available as 'CE Mark' products. Please consult our sales office.

FOR TERMINATION DETAILS SEE PAGE 150

FOR ACCESSORIES SEE PAGES 276 TO 278

Data subject to change without notice.



## Selection Tables

Listed below are our standard voltages. Other primary and secondary voltages available are 240, 380 and 600.



### COPPER WOUND, THREE PHASE

230 Delta Primary Volts

230Y Secondary Volts

60 Hz

kVA	Catalog Number	Case Style (Pages 264 - 272)	Dimensions			Approx. Weight (Lbs.)	Mtg Type W - Wall F - Floor	Wiring Diagram (Pages 281 - 293)
			Width	Depth	Height			
7.5	Outside of C802.2/TP1 guidelines, refer to Non-Energy Efficient Drive Isolation Transformers on page 135							
11	Outside of C802.2/TP1 guidelines, refer to Non-Energy Efficient Drive Isolation Transformers on page 135							
14	Outside of C802.2/TP1 guidelines, refer to Non-Energy Efficient Drive Isolation Transformers on page 135							
20	DE020CCC	NH6	23.90	25.00	28.75	270	F or W *	SCD 7
27	DE027CCC	NH6	23.90	25.00	28.75	330	F or W *	SCD 7
34	DE034CCC	NH6	23.90	25.00	28.75	350	F or W *	SCD 7
40	DE040CCC	NH6	23.90	25.00	28.75	380	F or W *	SCD 7
51	DE051CCC	NH6	23.90	25.00	28.75	450	F or W *	SCD 7
63	DE063CCC	NH3	26.00	25.00	38.00	550	F or W *	SCD 7
75	DE075CCC	NH3	26.00	25.00	38.00	600	F or W *	SCD 7
93	DE093CCC	NH3	26.00	25.00	38.00	630	F or W *	SCD 7
118	DE118CCC	NH3	26.00	25.00	38.00	880	F	SCD 7
145	DE145CCC	NH4	32.00	29.50	41.00	930	F	SCD 7
175	DE175CCC	NH4	32.00	29.50	41.00	1100	F	SCD 7
220	DE220CCC	NH4	32.00	29.50	41.00	1450	F	SCD 9
275	DE275CCC	NJ1	39.50	34.00	51.50	1680	F	SCD 9
330	DE330CCC	NJ1	39.50	34.00	51.50	1850	F	SCD 9
440	DE440CCC	NJ2	48.50	38.40	59.00	2350	F	SCD 10
550	DE550CCC	NJ2	48.50	38.40	59.00	2800	F	SCD 10
660	DE660CCC	NJ3	51.50	43.40	66.00	3250	F	SCD 10

For shielded units, please replace the suffix "C" with a 'K' on the above part numbers. (i.e. DE075CCK)

\*WALL MOUNTING KIT AND/OR DRIP PLATE KIT REQUIRED. REFER TO PAGES 276 TO 277 FOR DETAILS.

460 Delta Primary Volts

230Y Secondary Volts

60 Hz

kVA	Catalog Number	Case Style (Pages 264 - 272)	Dimensions			Approx. Weight (Lbs.)	Mtg Type W - Wall F - Floor	Wiring Diagram (Pages 281 - 293)
			Width	Depth	Height			
7.5	Outside of C802.2/TP1 guidelines, refer to Non-Energy Efficient Drive Isolation Transformers on page 135							
11	Outside of C802.2/TP1 guidelines, refer to Non-Energy Efficient Drive Isolation Transformers on page 135							
14	Outside of C802.2/TP1 guidelines, refer to Non-Energy Efficient Drive Isolation Transformers on page 135							
20	DE020JCCN	NH6	23.90	25.00	28.75	270	F or W *	SCD 7
27	DE027JCCN	NH6	23.90	25.00	28.75	330	F or W *	SCD 7
34	DE034JCC	NH6	23.90	25.00	28.75	350	F or W *	SCD 7
40	DE040JCC	NH6	23.90	25.00	28.75	380	F or W *	SCD 7
51	DE051JCC	NH6	23.90	25.00	28.75	450	F or W *	SCD 7
63	DE063JCC	NH3	26.00	25.00	38.00	550	F or W *	SCD 7
75	DE075JCC	NH3	26.00	25.00	38.00	600	F or W *	SCD 7
93	DE093JCC	NH3	26.00	25.00	38.00	630	F or W *	SCD 7
118	DE118JCC	NH3	26.00	25.00	38.00	880	F	SCD 7
145	DE145JCC	NH4	32.00	29.50	41.00	930	F	SCD 7
175	DE175JCC	NH4	32.00	29.50	41.00	1100	F	SCD 7
220	DE220JCC	NH4	32.00	29.50	41.00	1450	F	SCD 9
275	DE275JCC	NJ1	39.50	34.00	51.50	1680	F	SCD 9
330	DE330JCC	NJ1	39.50	34.00	51.50	1850	F	SCD 9
440	DE440JCC	NJ2	48.50	38.40	59.00	2350	F	SCD 10
550	DE550JCC	NJ2	48.50	38.40	59.00	2800	F	SCD 10
660	DE660JCC	NJ3	51.50	43.40	66.00	3250	F	SCD 10

For shielded units, please replace the suffix "C" with a 'K' on the above part numbers. (i.e. DE075JCK)

\*WALL MOUNTING KIT AND/OR DRIP PLATE KIT REQUIRED. REFER TO PAGES 276 TO 277 FOR DETAILS.

Products listed on this page are available as 'CE Mark' products. Please consult our sales office.

FOR TERMINATION DETAILS SEE PAGE 150

FOR ACCESSORIES SEE PAGES 276 TO 278



## Selection Tables

Listed below are our standard voltages. Other primary and secondary voltages available are 240, 380 and 600.



### COPPER WOUND, THREE PHASE

460 Delta Primary Volts

400Y Secondary Volts

60 Hz

kVA	Catalog Number	Case Style (Pages 264 - 272)	Dimensions			Approx. Weight (Lbs.)	Mtg Type W - Wall F - Floor	Wiring Diagram (Pages 281 - 293)
			Width	Depth	Height			
7.5	Outside of C802.2/TP1 guidelines, refer to Non-Energy Efficient Drive Isolation Transformers on page 136							
11	Outside of C802.2/TP1 guidelines, refer to Non-Energy Efficient Drive Isolation Transformers on page 136							
14	Outside of C802.2/TP1 guidelines, refer to Non-Energy Efficient Drive Isolation Transformers on page 136							
20	DE020JHCN	NH6	23.90	25.00	28.75	270	F or W *	SCD 7
27	DE027JHCN	NH6	23.90	25.00	28.75	330	F or W *	SCD 7
34	DE034JHC	NH6	23.90	25.00	28.75	350	F or W *	SCD 7
40	DE040JHC	NH6	23.90	25.00	28.75	380	F or W *	SCD 7
51	DE051JHC	NH6	23.90	25.00	28.75	450	F or W *	SCD 7
63	DE063JHC	NH3	26.00	25.00	38.00	550	F or W *	SCD 7
75	DE075JHC	NH3	26.00	25.00	38.00	600	F or W *	SCD 7
93	DE093JHC	NH3	26.00	25.00	38.00	630	F or W *	SCD 7
118	DE118JHC	NH3	26.00	25.00	38.00	880	F	SCD 7
145	DE145JHC	NH4	32.00	29.50	41.00	930	F	SCD 7
175	DE175JHC	NH4	32.00	29.50	41.00	1100	F	SCD 7
220	DE220JHC	NH4	32.00	29.50	41.00	1450	F	SCD 9
275	DE275JHC	NJ1	39.50	34.00	51.50	1680	F	SCD 9
330	DE330JHC	NJ1	39.50	34.00	51.50	1850	F	SCD 9
440	DE440JHC	NJ2	48.50	38.40	59.00	2350	F	SCD 10
550	DE550JHC	NJ2	48.50	38.40	59.00	2800	F	SCD 10
660	DE660JHC	NJ3	51.50	43.40	66.00	3250	F	SCD 10

For shielded units, please replace the suffix "C" with a 'K' on the above part numbers. (i.e. DE075JHK)

\*WALL MOUNTING KIT AND/OR DRIP PLATE KIT REQUIRED. REFER TO PAGES 276 TO 277 FOR DETAILS.

460 Delta Primary Volts

460Y Secondary Volts

60 Hz

kVA	Catalog Number	Case Style (Pages 264 - 272)	Dimensions			Approx. Weight (Lbs.)	Mtg Type W - Wall F - Floor	Wiring Diagram (Pages 281 - 293)
			Width	Depth	Height			
7.5	Outside of C802.2/TP1 guidelines, refer to Non-Energy Efficient Drive Isolation Transformers on page 136							
11	Outside of C802.2/TP1 guidelines, refer to Non-Energy Efficient Drive Isolation Transformers on page 136							
14	Outside of C802.2/TP1 guidelines, refer to Non-Energy Efficient Drive Isolation Transformers on page 136							
20	DE020JJC	NH6	23.90	25.00	28.75	270	F or W *	SCD 7
27	DE027JJC	NH6	23.90	25.00	28.75	330	F or W *	SCD 7
34	DE034JJC	NH6	23.90	25.00	28.75	350	F or W *	SCD 7
40	DE040JJC	NH6	23.90	25.00	28.75	380	F or W *	SCD 7
51	DE051JJC	NH6	23.90	25.00	28.75	450	F or W *	SCD 7
63	DE063JJC	NH3	26.00	25.00	38.00	550	F or W *	SCD 7
75	DE075JJC	NH3	26.00	25.00	38.00	600	F or W *	SCD 7
93	DE093JJC	NH3	26.00	25.00	38.00	630	F or W *	SCD 7
118	DE118JJC	NH3	26.00	25.00	38.00	880	F	SCD 7
145	DE145JJC	NH4	32.00	29.50	41.00	930	F	SCD 7
175	DE175JJC	NH4	32.00	29.50	41.00	1100	F	SCD 7
220	DE220JJC	NH4	32.00	29.50	41.00	1450	F	SCD 9
275	DE275JJC	NJ1	39.50	34.00	51.50	1680	F	SCD 9
330	DE330JJC	NJ1	39.50	34.00	51.50	1850	F	SCD 9
440	DE440JJC	NJ2	48.50	38.40	59.00	2350	F	SCD 10
550	DE550JJC	NJ2	48.50	38.40	59.00	2800	F	SCD 10
660	DE660JJC	NJ3	51.50	43.40	66.00	3250	F	SCD 10

For shielded units, please replace the suffix "C" with a 'K' on the above part numbers. (i.e. DE075JJK)

\*WALL MOUNTING KIT AND/OR DRIP PLATE KIT REQUIRED. REFER TO PAGES 276 TO 277 FOR DETAILS.

Products listed on this page are available as 'CE Mark' products. Please consult our sales office.

FOR TERMINATION DETAILS SEE PAGE 150

FOR ACCESSORIES SEE PAGES 276 TO 278

Data subject to change without notice.





## Selection Tables

Listed below are our standard voltages. Other primary and secondary voltages available are 240, 380 and 600.



### COPPER WOUND, THREE PHASE

480 Delta Primary Volts

240Y Secondary Volts

60 Hz

kVA	Catalog Number	Case Style (Pages 264 - 272)	Dimensions			Approx. Weight (Lbs.)	Mtg Type W - Wall F - Floor	Wiring Diagram (Pages 281 - 293)
			Width	Depth	Height			
7.5	Outside of C802.2/TP1 guidelines, refer to Non-Energy Efficient Drive Isolation Transformers on page 137							
11	Outside of C802.2/TP1 guidelines, refer to Non-Energy Efficient Drive Isolation Transformers on page 137							
14	Outside of C802.2/TP1 guidelines, refer to Non-Energy Efficient Drive Isolation Transformers on page 137							
20	DE020KDCN	NH6	23.90	25.00	28.75	270	F or W *	SCD 7
27	DE027KDCN	NH6	23.90	25.00	28.75	330	F or W *	SCD 7
34	DE034KDCN	NH6	23.90	25.00	28.75	350	F or W *	SCD 7
40	DE040KDC	NH6	23.90	25.00	28.75	380	F or W *	SCD 7
51	DE051KDC	NH6	23.90	25.00	28.75	450	F or W *	SCD 7
63	DE063KDC	NH3	26.00	25.00	38.00	550	F or W *	SCD 7
75	DE075KDC	NH3	26.00	25.00	38.00	600	F or W *	SCD 7
93	DE093KDC	NH3	26.00	25.00	38.00	630	F or W *	SCD 7
118	DE118KDC	NH3	26.00	25.00	38.00	880	F	SCD 7
145	DE145KDC	NH4	32.00	29.50	41.00	930	F	SCD 7
175	DE175KDC	NH4	32.00	29.50	41.00	1100	F	SCD 7
220	DE220KDC	NH4	32.00	29.50	41.00	1450	F	SCD 9
275	DE275KDC	NJ1	39.50	34.00	51.50	1680	F	SCD 9
330	DE330KDC	NJ1	39.50	34.00	51.50	1850	F	SCD 9
440	DE440KDC	NJ2	48.50	38.40	59.00	2350	F	SCD 10
550	DE550KDC	NJ2	48.50	38.40	59.00	2800	F	SCD 10
660	DE660KDC	NJ3	51.50	43.40	66.00	3250	F	SCD 10

For shielded units, please replace the suffix "C" with a 'K' on the above part numbers. (i.e. DE075KDK)

\*WALL MOUNTING KIT AND/OR DRIP PLATE KIT REQUIRED. REFER TO PAGES 276 TO 277 FOR DETAILS.

480 Delta Primary Volts

480Y Secondary Volts

60 Hz

kVA	Catalog Number	Case Style (Pages 264 - 272)	Dimensions			Approx. Weight (Lbs.)	Mtg Type W - Wall F - Floor	Wiring Diagram (Pages 281 - 293)
			Width	Depth	Height			
7.5	Outside of C802.2/TP1 guidelines, refer to Non-Energy Efficient Drive Isolation Transformers on page 137							
11	Outside of C802.2/TP1 guidelines, refer to Non-Energy Efficient Drive Isolation Transformers on page 137							
14	Outside of C802.2/TP1 guidelines, refer to Non-Energy Efficient Drive Isolation Transformers on page 137							
20	DE020KKCN	NH6	23.90	25.00	28.75	270	F or W *	SCD 7
27	DE027KKCN	NH6	23.90	25.00	28.75	330	F or W *	SCD 7
34	DE034KKCN	NH6	23.90	25.00	28.75	350	F or W *	SCD 7
40	DE040KKC	NH6	23.90	25.00	28.75	380	F or W *	SCD 7
51	DE051KKC	NH6	23.90	25.00	28.75	450	F or W *	SCD 7
63	DE063KKC	NH3	26.00	25.00	38.00	550	F or W *	SCD 7
75	DE075KKC	NH3	26.00	25.00	38.00	600	F or W *	SCD 7
93	DE093KKC	NH3	26.00	25.00	38.00	630	F or W *	SCD 7
118	DE118KKC	NH3	26.00	25.00	38.00	880	F	SCD 7
145	DE145KKC	NH4	32.00	29.50	41.00	930	F	SCD 7
175	DE175KKC	NH4	32.00	29.50	41.00	1100	F	SCD 7
220	DE220KKC	NH4	32.00	29.50	41.00	1450	F	SCD 9
275	DE275KKC	NJ1	39.50	34.00	51.50	1680	F	SCD 9
330	DE330KKC	NJ1	39.50	34.00	51.50	1850	F	SCD 9
440	DE440KKC	NJ2	48.50	38.40	59.00	2350	F	SCD 10
550	DE550KKC	NJ2	48.50	38.40	59.00	2800	F	SCD 10
660	DE660KKC	NJ3	51.50	43.40	66.00	3250	F	SCD 10

For shielded units, please replace the suffix "C" with a 'K' on the above part numbers. (i.e. DE075KKK)

\*WALL MOUNTING KIT AND/OR DRIP PLATE KIT REQUIRED. REFER TO PAGES 276 TO 277 FOR DETAILS.

SECTION 4



FOR TERMINATION DETAILS SEE PAGE 150

© Hammond Power Solutions Inc.

FOR ACCESSORIES SEE PAGES 276 TO 278

Data subject to change without notice.



## Selection Tables

Listed below are our standard voltages. Other primary and secondary voltages available are 240, 380 and 600.



### COPPER WOUND, THREE PHASE

575 Delta Primary Volts

460Y Secondary Volts

60 Hz

kVA	Catalog Number	Case Style (Pages 264 - 272)	Dimensions			Approx. Weight (Lbs.)	Mtg Type W - Wall F - Floor	Wiring Diagram (Pages 281 - 293)
			Width	Depth	Height			
7.5	Outside of C802.2/TP1 guidelines, refer to Non-Energy Efficient Drive Isolation Transformers on page 138							
11	Outside of C802.2/TP1 guidelines, refer to Non-Energy Efficient Drive Isolation Transformers on page 138							
14	Outside of C802.2/TP1 guidelines, refer to Non-Energy Efficient Drive Isolation Transformers on page 138							
20	DE020NJCN	NH6	23.90	25.00	28.75	270	F or W *	SCD 7
27	DE027NJCN	NH6	23.90	25.00	28.75	330	F or W *	SCD 7
34	DE034NJCN	NH6	23.90	25.00	28.75	350	F or W *	SCD 7
40	DE040NJCN	NH6	23.90	25.00	28.75	380	F or W *	SCD 7
51	DE051NJC	NH6	23.90	25.00	28.75	450	F or W *	SCD 7
63	DE063NJC	NH3	26.00	25.00	38.00	550	F or W *	SCD 7
75	DE075NJC	NH3	26.00	25.00	38.00	600	F or W *	SCD 7
93	DE093NJC	NH3	26.00	25.00	38.00	630	F or W *	SCD 7
118	DE118NJC	NH3	26.00	25.00	38.00	880	F	SCD 7
145	DE145NJC	NH4	32.00	29.50	41.00	930	F	SCD 7
175	DE175NJC	NH4	32.00	29.50	41.00	1100	F	SCD 7
220	DE220NJC	NH4	32.00	29.50	41.00	1450	F	SCD 9
275	DE275NJC	NJ1	39.50	34.00	51.50	1680	F	SCD 9
330	DE330NJC	NJ1	39.50	34.00	51.50	1850	F	SCD 9
440	DE440NJC	NJ2	48.50	38.40	59.00	2350	F	SCD 10
550	DE550NJC	NJ2	48.50	38.40	59.00	2800	F	SCD 10
660	DE660NJC	NJ3	51.50	43.40	66.00	3250	F	SCD 10

For shielded units, please replace the suffix "C" with a 'K' on the above part numbers. (i.e. DE075NJK)

\*WALL MOUNTING KIT AND/OR DRIP PLATE KIT REQUIRED. REFER TO PAGES 276 TO 277 FOR DETAILS.

575 Delta Primary Volts

575Y Secondary Volts

60 Hz

kVA	Catalog Number	Case Style (Pages 264 - 272)	Dimensions			Approx. Weight (Lbs.)	Mtg Type W - Wall F - Floor	Wiring Diagram (Pages 281 - 293)
			Width	Depth	Height			
7.5	Outside of C802.2/TP1 guidelines, refer to Non-Energy Efficient Drive Isolation Transformers on page 138							
11	Outside of C802.2/TP1 guidelines, refer to Non-Energy Efficient Drive Isolation Transformers on page 138							
14	Outside of C802.2/TP1 guidelines, refer to Non-Energy Efficient Drive Isolation Transformers on page 138							
20	DE020NNCN	NH6	23.90	25.00	28.75	270	F or W *	SCD 7
27	DE027NNCN	NH6	23.90	25.00	28.75	330	F or W *	SCD 7
34	DE034NNCN	NH6	23.90	25.00	28.75	350	F or W *	SCD 7
40	DE040NNCN	NH6	23.90	25.00	28.75	380	F or W *	SCD 7
51	DE051NNC	NH6	23.90	25.00	28.75	450	F or W *	SCD 7
63	DE063NNC	NH3	26.00	25.00	38.00	550	F or W *	SCD 7
75	DE075NNC	NH3	26.00	25.00	38.00	600	F or W *	SCD 7
93	DE093NNC	NH3	26.00	25.00	38.00	630	F or W *	SCD 7
118	DE118NNC	NH3	26.00	25.00	38.00	880	F	SCD 7
145	DE145NNC	NH4	32.00	29.50	41.00	930	F	SCD 7
175	DE175NNC	NH4	32.00	29.50	41.00	1100	F	SCD 7
220	DE220NNC	NH4	32.00	29.50	41.00	1450	F	SCD 9
275	DE275NNC	NJ1	39.50	34.00	51.50	1680	F	SCD 9
330	DE330NNC	NJ1	39.50	34.00	51.50	1850	F	SCD 9
440	DE440NNC	NJ2	48.50	38.40	59.00	2350	F	SCD 10
550	DE550NNC	NJ2	48.50	38.40	59.00	2800	F	SCD 10
660	DE660NNC	NJ3	51.50	43.40	66.00	3250	F	SCD 10

For shielded units, please replace the suffix "C" with a 'K' on the above part numbers. (i.e. DE075NNK)

\*WALL MOUNTING KIT AND/OR DRIP PLATE KIT REQUIRED. REFER TO PAGES 276 TO 277 FOR DETAILS.

Products listed on this page are available as 'CE Mark' products. Please consult our sales office.

FOR TERMINATION DETAILS SEE PAGE 150

FOR ACCESSORIES SEE PAGES 276 TO 278

Data subject to change without notice.

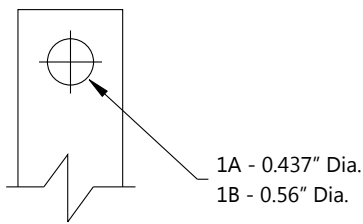




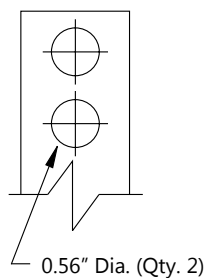
## TERMINATION DETAILS

### THREE PHASE, ALUMINUM AND COPPER TERMINATION - LUGS OR PADS

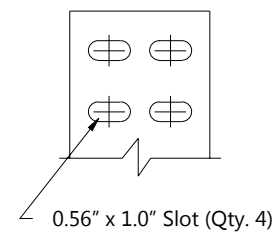
kVA	VOLTAGE							
	208	230	240	380	460	480	575	600
7.5	Lugs	Lugs	Lugs	Lugs	Lugs	Lugs	Lugs	Lugs
11	Lugs	Lugs	Lugs	Lugs	Lugs	Lugs	Lugs	Lugs
14	Lugs	Lugs	Lugs	Lugs	Lugs	Lugs	Lugs	Lugs
20	Lugs	Lugs	Lugs	Lugs	Lugs	Lugs	Lugs	Lugs
27	Lugs	Lugs	Lugs	Lugs	Lugs	Lugs	Lugs	Lugs
34	Lugs	Lugs	Lugs	Lugs	Lugs	Lugs	Lugs	Lugs
40	Lugs	Lugs	Lugs	Lugs	Lugs	Lugs	Lugs	Lugs
51	Lugs	Lugs	Lugs	Lugs	Lugs	Lugs	Lugs	Lugs
63	Lugs	Lugs	Lugs	Lugs	Lugs	Lugs	Lugs	Lugs
75	Lugs	Lugs	Lugs	Lugs	Lugs	Lugs	Lugs	Lugs
93	Lugs	Lugs	Lugs	Lugs	Lugs	Lugs	Lugs	Lugs
118	Diagram 1A	Diagram 1A	Diagram 1A	Lugs	Lugs	Lugs	Lugs	Lugs
145	Diagram 1A	Diagram 1A	Diagram 1A	Lugs	Lugs	Lugs	Lugs	Lugs
175	Diagram 1A	Diagram 1A	Diagram 1A	Lugs	Lugs	Lugs	Lugs	Lugs
220	Diagram 2	Diagram 1A	Diagram 1A	Diagram 1A	Diagram 1A	Lugs	Lugs	Lugs
275	Diagram 2	Diagram 2	Diagram 2	Diagram 1A	Diagram 1A	Diagram 1A	Diagram 1A	Lugs
330	Diagram 2	Diagram 2	Diagram 2	Diagram 1A	Diagram 1A	Diagram 1A	Diagram 1A	Diagram 1A
440	Diagram 3	Diagram 3	Diagram 3	Diagram 2	Diagram 1A	Diagram 1A	Diagram 1A	Diagram 1A
550	Diagram 3	Diagram 3	Diagram 3	Diagram 2	Diagram 2	Diagram 2	Diagram 1A	Diagram 1A
660	Diagram 3	Diagram 3	Diagram 3	Diagram 3	Diagram 2	Diagram 2	Diagram 2	Diagram 2



**DIAGRAM 1**



**DIAGRAM 2**



**DIAGRAM 3**

SECTION 4



FOR TERMINATION DETAILS SEE PAGE 150

FOR ACCESSORIES SEE PAGES 276 TO 278





## SECTION 5

# MOTOR STARTING AUTOTRANSFORMERS

### **Copper Wound Two Coil and Three Coil**

<b>Description and Applications .....</b>	<b>152</b>
<b>Copper Standard Specifications .....</b>	<b>153</b>
<b>Dimensional Drawings .....</b>	<b>153</b>
<b>Copper, Three Phase, 2 Coil Selection Tables .....</b>	<b>154</b>
<b>Copper, Three Phase, 3 Coil Selection Tables .....</b>	<b>155</b>
<b>Optional Thermostats .....</b>	<b>156</b>

## THREE PHASE MOTOR STARTING AUTOTRANSFORMERS

HPS 2A and 3A motor starting autotransformers have been an industry standard for many years. Autotransformers are a significant component of a motor controller. In its simplest form, motor starters start and stop a motor and protect against overvoltage and undervoltage. In most applications, a simple full-voltage magnetic starter places full voltage across the motor's windings on startup and maintains full voltage at the motor during the run mode.

For larger motors, or motors where the load is connected, the effect of motor-starting inrush can stress the electrical system with significantly lower currents in the distribution network. This can cause all manner of disruption to the system with subsequent interruption in the facility. In these cases, reduced-voltage starting must be applied. The addition of a motor starting autotransformer during the startup sequence limits the starting inrush current.

The 2A and 3A product line is designed for Medium Duty service including applications for drive loads such as pumps, compressors, conveyers and fans. Units are manufactured in accordance with NEMA Industrial Controls and Systems, Publication No. ICS-1970.

**2A Motor Starting Autotransformer:** Three phase, 2 coil, suitable for motor starters with 2 contacts, connected in an open 'V' configuration. Phase voltage across the open 'V' tends to be slightly out of balance when compared to the other two phases.  
**3A Motor Starting Autotransformer:** Three phase, 3 coil, suitable for motor starters with 3 contacts, connected in a three phase 'Wye' configuration. This provides balanced voltages across each phase.

**Special Motor Starting Autotransformers.** For applications requiring heavy duty service with frequent starts or jogging, high inertia loads such as paper or steel mill drives, medium voltage or other unusual demands, HPS can offer specially designed units to meet your requirements. Please consult our sales offices.

### TWO COIL

**20 to 1600 HP**



### THREE COIL

**25 to 1600 HP**



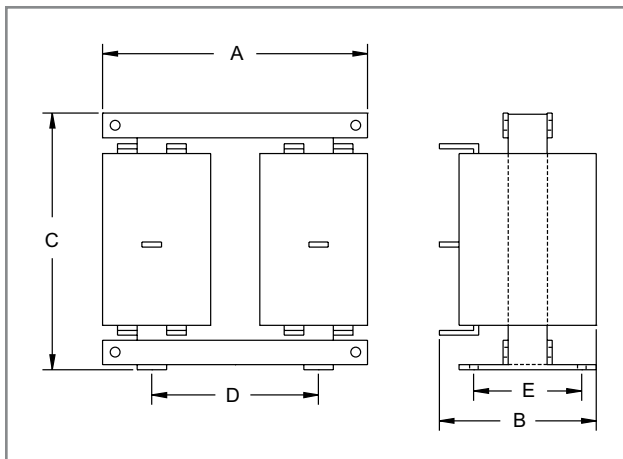
## COPPER WOUND STANDARD SPECIFICATIONS



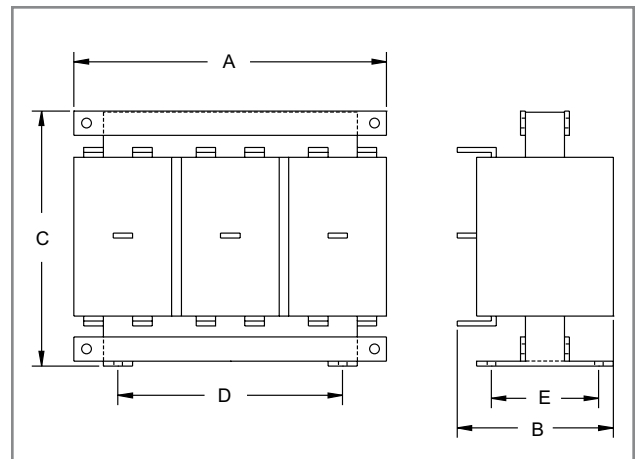
	TWO COIL	THREE COIL
	20 to 1600 HP	25 to 1600 HP
<b>UL Listed</b>	File: E61431	File: E61431
<b>CSA Certified</b>	File: LR3902	File: LR3902
<b>Frequency</b>	60 Hz	60 Hz
<b>Insulation System</b>	220°C	220°C
<b>Standard Design</b>	Three Phase, 2 Coil, using economical open core and coil construction.	Three Phase, 3 Coil, using economical open core and coil construction.
<b>Standard Taps</b>	All units have taps at 50%, 65% and 80%.	All units have taps at 50%, 65%, 80%
<b>Termination</b>	Heavy solid copper lugs with holes, provide reliable termination.	Heavy solid copper lugs with holes, provide reliable termination.
<b>Thermostats</b>	1 or 2 optional thermostats are available. (See page 156 for details.)	1, 2 or 3 optional thermostats are available. (See page 156 for details.)

## DIMENSIONAL DRAWINGS

TWO COIL



THREE COIL



## COPPER WOUND, THREE PHASE, TWO COIL



### Two Coil - 240 Volts

60 Hz

HP	Voltage	Catalog Number	Dimensions			Mtg. Width D	Mtg. Depth E	Approx. Weight (Lbs.)
			A	B	C			
20/25	240	2909B.2	11.50	6.00	10.25	9.00	4.00	45
30/40	240	2909B.4	11.50	6.25	10.75	9.00	4.00	65
50	240	2909B.5	11.50	7.25	11.00	9.00	6.00	75
60/75	240	2909B.75	13.50	8.00	11.50	9.00	6.00	120
100	240	2909B1.	13.50	9.25	11.50	9.00	7.50	150
125/150	240	2909B1.5	14.50	10.00	12.75	9.00	7.50	190
200	240	2909B2.	14.50	10.50	12.75	9.00	7.50	220
250	240	2909B2.5	14.50	11.75	13.25	9.00	9.00	230
300	240	2909B3.	14.50	12.00	14.00	9.00	9.00	260
400	240	2909B4.	17.00	12.50	15.75	9.00	9.00	330
500	240	2909B5.	17.00	13.00	16.25	9.00	9.00	375
600	240	2909B6.	23.00	16.00	18.00	12.00	9.00	550
800	240	2909B8.	25.00	17.00	20.00	12.00	9.00	700
1000	240	2909B10.	26.00	18.00	22.00	12.00	9.00	800
1200	240	2909B12.	29.00	19.00	24.00	12.00	12.00	1050
1600	240	2909B16.	32.00	20.00	26.00	12.00	12.00	1350

### Two Coil - 480 Volts

60 Hz

HP	Voltage	Catalog Number	Dimensions			Mtg. Width D	Mtg. Depth E	Approx. Weight (Lbs.)
			A	B	C			
20/25	480	2909C.2	11.50	6.00	10.25	9.00	4.00	45
30/40	480	2909C.4	11.50	6.25	10.75	9.00	4.00	65
50	480	2909C.5	11.50	7.25	11.00	9.00	6.00	75
60/75	480	2909C.75	13.50	8.00	11.50	9.00	6.00	120
100	480	2909C1.	13.50	9.25	11.50	9.00	7.50	150
125/150	480	2909C1.5	14.50	10.00	12.75	9.00	7.50	190
200	480	2909C2.	14.50	10.50	12.75	9.00	7.50	220
250	480	2909C2.5	14.50	11.75	13.25	9.00	9.00	230
300	480	2909C3.	14.50	12.00	14.00	9.00	9.00	260
400	480	2909C4.	17.00	12.50	15.75	9.00	9.00	330
500	480	2909C5.	17.00	13.00	16.25	9.00	9.00	375
600	480	2909C6.	23.00	16.00	18.00	12.00	9.00	550
800	480	2909C8.	25.00	17.00	20.00	12.00	9.00	700
1000	480	2909C10.	26.00	18.00	22.00	12.00	9.00	800
1200	480	2909C12.	29.00	19.00	24.00	12.00	12.00	1050
1600	480	2909C16.	32.00	20.00	26.00	12.00	12.00	1350

### Two Coil - 600 Volts

60 Hz

HP	Voltage	Catalog Number	Dimensions			Mtg. Width D	Mtg. Depth E	Approx. Weight (Lbs.)
			A	B	C			
20/25	600	2909D.2	11.50	6.00	10.25	9.00	4.00	45
30/40	600	2909D.4	11.50	6.25	10.75	9.00	4.00	65
50	600	2909D.5	11.50	7.25	11.00	9.00	6.00	75
60/75	600	2909D.75	13.50	8.00	11.50	9.00	6.00	120
100	600	2909D1.	13.50	9.25	11.50	9.00	7.50	150
125/150	600	2909D1.5	14.50	10.00	12.75	9.00	7.50	190
200	600	2909D2.	14.50	10.50	12.75	9.00	7.50	220
250	600	2909D2.5	14.50	11.75	13.25	9.00	9.00	230
300	600	2909D3.	14.50	12.00	14.00	9.00	9.00	260
400	600	2909D4.	17.00	12.50	15.75	9.00	9.00	330
500	600	2909D5.	17.00	13.00	16.25	9.00	9.00	375
600	600	2909D6.	23.00	16.00	18.00	12.00	9.00	550
800	600	2909D8.	25.00	17.00	20.00	12.00	9.00	700
1000	600	2909D10.	26.00	18.00	22.00	12.00	9.00	800
1200	600	2909D12.	29.00	19.00	24.00	12.00	12.00	1050
1600	600	2909D16.	32.00	20.00	26.00	12.00	12.00	1350

SECTION 5



## COPPER WOUND, THREE PHASE, THREE COIL



### Three Coil - 240 Volts

60 Hz

HP	Voltage	Catalog Number	Dimensions			Mtg. Width D	Mtg. Depth E	Approx. Weight (Lbs.)
			A	B	C			
25/30	240	3009B.3	11.50	6.50	8.75	9.00	4.00	65
40/50	240	3009B.5	11.50	7.75	9.00	9.00	6.00	80
60/75	240	3009B.75	13.50	8.00	10.25	9.00	6.00	125
100	240	3009B1.	13.50	8.75	10.25	9.00	6.00	140
125/150	240	3009B1.5	14.50	10.00	10.75	9.00	7.00	165
200	240	3009B2.	15.00	10.50	10.75	9.00	7.00	210
250	240	3009B2.5	15.75	12.00	11.50	9.00	8.25	245
300	240	3009B3.	15.75	12.25	12.00	9.00	8.25	275
400	240	3009B4.	17.00	12.50	14.00	9.00	8.25	320
500	240	3009B5.	17.00	12.50	14.50	9.00	8.25	345
600	240	3009B6.	21.00	14.00	16.00	12.00	9.00	450
800	240	3009B8.	23.00	15.00	18.00	12.00	9.00	600
1000	240	3009B10.	24.00	16.00	20.00	12.00	9.00	700
1200	240	3009B12.	27.00	17.00	22.00	12.00	12.00	900
1600	240	3009B16.	30.00	18.00	24.00	12.00	12.00	1200

### Three Coil - 480 Volts

60 Hz

HP	Voltage	Catalog Number	Dimensions			Mtg. Width D	Mtg. Depth E	Approx. Weight (Lbs.)
			A	B	C			
25/30	480	3009C.3	11.50	6.50	8.75	9.00	4.00	65
40/50	480	3009C.5	11.50	7.75	9.00	9.00	6.00	80
60/75	480	3009C.75	13.50	8.00	10.25	9.00	6.00	125
100	480	3009C1.	13.50	8.75	10.25	9.00	6.00	140
125/150	480	3009C1.5	14.50	10.00	10.75	9.00	7.00	165
200	480	3009C2.	15.00	10.50	10.75	9.00	7.00	210
250	480	3009C2.5	15.75	12.00	11.50	9.00	8.25	245
300	480	3009C3.	15.75	12.25	12.00	9.00	8.25	275
400	480	3009C4.	17.00	12.50	14.00	9.00	8.25	320
500	480	3009C5.	17.00	12.50	14.50	9.00	8.25	345
600	480	3009C6.	21.00	14.00	16.00	12.00	9.00	450
800	480	3009C8.	23.00	15.00	18.00	12.00	9.00	600
1000	480	3009C10.	24.00	16.00	20.00	12.00	9.00	700
1200	480	3009C12.	27.00	17.00	22.00	12.00	12.00	900
1600	480	3009C16.	30.00	18.00	24.00	12.00	12.00	1200

### Three Coil - 600 Volts

60 Hz

HP	Voltage	Catalog Number	Dimensions			Mtg. Width D	Mtg. Depth E	Approx. Weight (Lbs.)
			A	B	C			
25/30	600	3009D.3	11.50	6.50	8.75	9.00	4.00	65
40/50	600	3009D.5	11.50	7.75	9.00	9.00	6.00	80
60/75	600	3009D.75	13.50	8.00	10.25	9.00	6.00	125
100	600	3009D1.	13.50	8.75	10.25	9.00	6.00	140
125/150	600	3009D1.5	14.50	10.00	10.75	9.00	7.00	165
200	600	3009D2.	15.00	10.50	10.75	9.00	7.00	210
250	600	3009D2.5	15.75	12.00	11.50	9.00	8.25	245
300	600	3009D3.	15.75	12.25	12.00	9.00	8.25	275
400	600	3009D4.	17.00	12.50	14.00	9.00	8.25	320
500	600	3009D5.	17.00	12.50	14.50	9.00	8.25	345
600	600	3009D6.	21.00	14.00	16.00	12.00	9.00	450
800	600	3009D8.	23.00	15.00	18.00	12.00	9.00	600
1000	600	3009D10.	24.00	16.00	20.00	12.00	9.00	700
1200	600	3009D12.	27.00	17.00	22.00	12.00	12.00	900
1600	600	3009D16.	30.00	18.00	24.00	12.00	12.00	1200





## OPTIONAL THERMOSTATS



All HPS Motor Starting Autotransformers are available with optional thermostats. Thermostats are supplied with normally closed contacts and will provide a corresponding signal when coil temperatures exceed safe operating conditions. Each thermostat installed is supplied with standard leads.

### Two Coil - Thermostat Options

Part Number	Description	Installation
T1	One Thermostat	Single thermostat installed in the left coil.
T2	Two Thermostats	One thermostat installed in both coils.



### Three Coil - Thermostat Options

Part Number	Description	Installation
T1	One Thermostat	Single thermostat installed in the center coil.
T2	Two Thermostats	One thermostat installed in the left hand coil and one installed in the right coil.
T3	Three Thermostats	One thermostat installed in each of the three coils.





## **SECTION 6**

# **HPS UNIVERSAL™ LOW VOLTAGE LIGHTING TRANSFORMERS**

### **Encapsulated Single Phase Enclosed**

<b>Single Phase Applications &amp; Standard Specifications....</b>	<b>158</b>
<b>Group A Selection Table .....</b>	<b>159</b>
<b>Group B Selection Table .....</b>	<b>159</b>
<b>Group C Selection Table .....</b>	<b>159</b>
<b>Enclosure Drawings .....</b>	<b>266</b>

## SINGLE PHASE LOW VOLTAGE TRANSFORMER APPLICATIONS

For a cost effective approach to supply low voltage for recreational, lighting, light duty industrial and pool and spa applications or for a general purpose load including actuating relays, bells, control and low voltage circuits, these type 3R style encapsulated transformers are specifically designed for the following applications;

- General purpose applications used to adjust a supply voltage to match load equipment.
- Supplying machine tool circuits.
- Actuating relays, bells, signal and alarm systems.
- Operating small motors, valves and dampers.
- Industrial lighting and circuit isolation.
- Pool and spa (must be ordered in a type 4X stainless steel enclosure. Only available up to 1000VA as 60 Hz unit.)

HPS single phase encapsulated control transformers, with ratings from 50VA up to 5000VA in three voltage ratings, feature the newest technology and manufacturing processes.



## LOW VOLTAGE LIGHTING TRANSFORMER STANDARD SPECIFICATIONS

	15 to 333 kVA	15 to 1500 kVA
<b>UL Listed</b>	File: E50394	File: E50394
<b>CSA Certified</b>	File: LR3902	File: LR3902
<b>Frequency</b>	50/60 Hz	50/60 Hz
<b>Insulation System</b>	130°C (80°C rise)	180°C (115°C rise)
<b>Standard Design</b>	Single phase, core construction made with high quality, high permeability silicon steel laminations. Computer designed coils are accurately wound from high quality copper magnetic wire.	Single phase, core construction made with high quality, high permeability silicon steel laminations. Computer designed coils are accurately wound from high quality copper magnetic wire.
<b>Encapsulation</b>	All units from 50VA to 5kVA are encapsulated with electrical grade silica sand and resin compounds.	All units from 50VA to 5kVA are encapsulated with electrical grade silica sand and resin compounds.
<b>Enclosure Type</b>	Heavy duty encapsulated type 3R optional type 4, 4X (stainless) & 12 available	Heavy duty encapsulated type 3R optional type 4, 4X (stainless) & 12 available
<b>Termination</b>	ANSI 61 Grey, UL50	ANSI 61 Grey, UL50
<b>Conduit Knock-Outs</b>	Side and rear standard on all units (no knock-outs on Stainless Steel enclosures).	Side and rear standard on all units (no knock-outs on Stainless Steel enclosures).
<b>Mounting</b>	Standard wall mounting.	Standard wall mounting.

## Single Phase Specification Tables



### Group A

Primary Voltage: 120/240

Secondary Voltage: 12/24

50/60 Hertz

VA	Catalog Number	Case Style (Page 266)	Approx. Dimensions (Inches)			Approx. Weight (Lbs.)	Mtg Type W - Wall	Wiring Diagram (Page 281)
			Width	Depth	Height			
50	QC05ERCB	NQ0	3.75	5.25	7.25	6	W	SCD 1
100	QC10ERCB	NQ0	3.75	5.25	7.25	7	W	SCD 1
150	QC15ERCB	NQ0	3.75	5.25	7.25	8	W	SCD 1
200	QC20ERCB	NQ1	4.50	5.75	7.25	11	W	SCD 1
250	QC25ERCB	NQ1	4.50	5.75	7.25	13	W	SCD 1
350	QC35ERCB	NQ1	4.50	5.75	7.25	14	W	SCD 1
500	QC50ERCB	NQ2	5.00	4.75	9.25	15	W	SCD 1
750	QC75ERCB	NQ2	5.00	4.75	9.25	18	W	SCD 1
1000	Q1C0ERCB	NQ3	5.88	5.50	10.50	25	W	SCD 1
1500	Q1C5ERCF	NQ4	7.00	6.50	11.75	36	W	SCD 1
2000	Q002ERCF	NQ4	7.00	6.50	11.75	46	W	SCD 1
3000	Q003ERCF	NQ5	10.00	7.75	17.25	65	W	SCD 1
5000	Q005ERCF	NQ5	10.00	7.75	17.25	105	W	SCD 1

### Group B

Primary Voltage: 120/240

Secondary Voltage: 16/32

50/60 Hertz

VA	Catalog Number	Case Style (Page 266)	Approx. Dimensions (Inches)			Approx. Weight (Lbs.)	Mtg Type W - Wall	Wiring Diagram (Page 281)
			Width	Depth	Height			
50	QC05ESCB	NQ0	3.75	5.25	7.25	6	W	SCD 1
100	QC10ESCB	NQ0	3.75	5.25	7.25	7	W	SCD 1
150	QC15ESCB	NQ0	3.75	5.25	7.25	8	W	SCD 1
200	QC20ESCB	NQ1	4.50	5.75	7.25	11	W	SCD 1
250	QC25ESCB	NQ1	4.50	5.75	7.25	13	W	SCD 1
350	QC35ESCB	NQ1	4.50	5.75	7.25	14	W	SCD 1
500	QC50ESCB	NQ2	5.00	4.75	9.25	15	W	SCD 1
750	QC75ESCB	NQ2	5.00	4.75	9.25	18	W	SCD 1
1000	Q1C0ESCB	NQ3	5.88	5.50	10.50	25	W	SCD 1
1500	Q1C5ESCF	NQ4	7.00	6.50	11.75	36	W	SCD 1
2000	Q002ESCF	NQ4	7.00	6.50	11.75	46	W	SCD 1
3000	Q003ESCF	NQ5	10.00	7.75	17.25	65	W	SCD 1
5000	Q005ESCF	NQ5	10.00	7.75	17.25	105	W	SCD 1

### Group C

Primary Voltage: 240/480

Secondary Voltage: 24/48

50/60 Hertz

VA	Catalog Number	Case Style (Page 266)	Approx. Dimensions (Inches)			Approx. Weight (Lbs.)	Mtg Type W - Wall	Wiring Diagram (Page 281)
			Width	Depth	Height			
50	QC05DTCB	NQ0	3.75	5.25	7.25	6	W	SCD 1
100	QC10DTCB	NQ0	3.75	5.25	7.25	7	W	SCD 1
150	QC15DTCB	NQ0	3.75	5.25	7.25	8	W	SCD 1
200	QC20DTCB	NQ1	4.50	5.75	7.25	11	W	SCD 1
250	QC25DTCB	NQ1	4.50	5.75	7.25	13	W	SCD 1
350	QC35DTCB	NQ1	4.50	5.75	7.25	14	W	SCD 1
500	QC50DTCB	NQ2	5.00	4.75	9.25	15	W	SCD 1
750	QC75DTCB	NQ2	5.00	4.75	9.25	18	W	SCD 1
1000	Q1C0DTCB	NQ3	5.88	5.50	10.50	25	W	SCD 1
1500	Q1C5DTCF	NQ4	7.00	6.50	11.75	36	W	SCD 1
2000	Q002DTCF	NQ4	7.00	6.50	11.75	46	W	SCD 1
3000	Q003DTCF	NQ5	10.00	7.75	17.25	65	W	SCD 1
5000	Q005DTCF	NQ5	10.00	7.75	17.25	105	W	SCD 1







## SECTION 7

# ENERGY EFFICIENT GENERAL PURPOSE LOW VOLTAGE DISTRIBUTION TRANSFORMERS

### **600V Class, Single Phase & Three Phase**

Low Voltage Distribution Transformer Energy Efficiency Guidelines U.S.A.....	162
Low Voltage Distribution Transformer Energy Efficiency Guidelines Canada..	163
NEMA Premium® Efficiency Transformer Program.....	164
Product Features and Applications.....	165
Energy Efficient Distribution Transformer Product Summary .....	165

#### **HPS Sentinel® Series - Energy Efficient General Purpose Transformers**

HPS Sentinel® - copper & aluminum, single & three phase .....	167
HPS SuperSentinel® - copper & aluminum, single & three phase .....	180

#### **HPS Synergy® Series - Energy Efficient K-Factor Transformers**

K-Factor, Harmonics and Non-Linear Loads .....	193
HPS Synergy® - copper & aluminum, three phase .....	196
HPS SuperSynergy® - copper & aluminum, three phase .....	200

#### **HPS Centurion® Series - Energy Efficient Harmonic Mitigating Transformers**

600V Class Harmonic Mitigating Transformer.....	206
HPS Centurion® - copper & aluminum, three phase .....	208
HPS SuperCenturion® - copper & aluminum, three phase .....	217

Enclosure Dimensional Drawings .....	264
Accessories - Enclosure Mounting Kits, Anti-Vibration Pads & Isolators .....	276
Termination Details .....	280

## Low Voltage Distribution Transformer Energy Efficiency Guidelines

In the past several years, there has been an accelerated rate of change to introduce energy efficiency standards for transformers in North America. Many products have preceded the initiatives for transformers in an overall effort to optimize manufactured goods for environmental concerns. Governments are encouraging users to consider energy efficient products like dry-type transformers in an effort to help reduce carbon dioxide emissions.

In addition to the benefits to the environment, energy efficient transformers realize substantial savings in operating costs, thereby having a direct impact on the initial investment evaluated over a period of time.

### United States - Energy Efficiency (DOE 10 CFR Part 431)

The laws in the U.S. state that all low voltage dry-type distribution transformers (as defined below) manufactured after January 1st, 2007, must meet the minimum energy efficiency standards outlined in DOE 10 CFR Part 431 (typically referred to as TP1). The range of product covered by these standards are:

<b>Voltage Rating</b>	<b>Primary Voltage</b>	600 volt and below
	<b>Secondary Voltage</b>	600 volt and below
<b>Dry-Type Rating</b>	<b>Single Phase</b>	15-333 kVA
	<b>Three Phase</b>	15-1000 kVA
<b>Frequency</b>		60 Hz only

For transformers exempted from the DOE efficiency regulations please refer to the following DOE link:  
[http://www.access.gpo.gov/nara/cfr/waisidx\\_09/10cfr431\\_09.html](http://www.access.gpo.gov/nara/cfr/waisidx_09/10cfr431_09.html)

The HPS lines of 600 volt class energy efficient distribution transformers illustrated in this section, meet or exceed the minimum efficiencies required. These efficiencies are evaluated at 35% of the nameplate rated load.

The standards covering 600 volt class energy efficiency in dry-type transformers in North America are outlined in DOE 10 CFR Part 431/TP1, "Energy Conservation Program for Commercial Equipment: Distribution Transformers Energy Conservation Standards; Final Rule". These specifications have carefully considered the total owning cost unique for industrial or commercial installations where the load factor is an integral part of the efficiency rating.

US Department of Energy DOE 10 CFR Part 431/TP1 Efficiency Levels Dry-Type Distribution Transformers - <u>Low Voltage</u>			
Single Phase		Three Phase	
kVA	Efficiency	kVA	Efficiency
15	97.70	15	97.00
25	98.00	30	97.50
37.5	98.20	45	97.70
50	98.30	75	98.00
75	98.50	112.5	98.20
100	98.60	150	98.30
167	98.70	225	98.50
250	98.80	300	98.60
333	98.90	500	98.70
		750	98.80
		1000	98.90

All efficiency values are at 35% of nameplate rated load

## Low Voltage Distribution Transformer Energy Efficiency Guidelines Continued...

### Canada - Energy Efficiency (CSA C802.2)

The laws in Canada state that all low voltage dry-type distribution transformers (as defined below) manufactured after January 1st, 2005, must meet the minimum energy efficiency guidelines outlined by CSA C802.2 and referenced in the Canadian Energy Efficiency Act - Energy Efficiency Regulations (SOR/94-651). The range of product covered by these standards are:

<b>Primary (high) Voltage</b>		Up to 1.2 kV
<b>Secondary (low) Voltage Line Current</b>		Less than 4000 amps
<b>Dry-Type Rating</b>	<b>Single Phase</b>	15-333 kVA
	<b>Three Phase</b>	15-1000 kVA
<b>Frequency</b>		60 Hz only

For transformers exempted from the Canadian Efficiency Regulations please refer to the following link: <http://laws.justice.gc.ca/eng/sor-94-651/page-1.html> or: [http://www.hammondpowersolutions.com/products/locate\\_by\\_product/energy\\_efficient\\_distribution\\_transformers/index.php](http://www.hammondpowersolutions.com/products/locate_by_product/energy_efficient_distribution_transformers/index.php)

The HPS lines of 1.2 kV volt class energy efficient distribution transformers illustrated in this section, meet or exceed the minimum efficiencies required. These efficiencies are evaluated at 35% of the nameplate kVA transformer capacity.

The specifications covering 1.2 kV volt class energy efficiency in transformers in Canada are outlined in the CSA Efficiency Standard Document C802, "Maximum Losses for Distribution, Power and Dry-Type Transformers" as referenced in the Canadian Energy Efficiency Act - Energy Efficiency Regulations (SOR/94-651). These specifications have carefully considered the total owning cost unique for industrial or commercial installations where the load factor is an integral part of the efficiency rating.

CSA Efficiency Standard Document C802.2 Efficiency Levels Dry-Type Distribution Transformers - <u>Low Voltage</u>			
Single Phase		Three Phase	
kVA	Efficiency	kVA	Efficiency
15	97.70	15	97.00
25	98.00	30	97.50
37.5	98.20	45	97.70
50	98.30	75	98.00
75	98.50	112.5	98.20
100	98.60	150	98.30
167	98.70	225	98.50
250	98.80	300	98.60
333	98.90	500	98.70
		750	98.80
		1000	98.90

All efficiency values are at 35% of nameplate rated load





## NEMA Premium® Efficiency Transformer Program

The 1992 Energy Act was a significant evolution in regulating low voltage dry-type transformers for the reduction of national energy use. Market pressures, however, indicated that customers were interested in even higher efficiencies. However with no guidelines in place, many manufacturers started to offer a multitude of higher efficiency transformer products, most of these without a well defined consistent specification.

On June 9th, 2010 the National Electrical Manufacturers Association (NEMA) announced the initiation of the NEMA Premium® Efficiency Transformer Program, which will help utilities, commercial buildings, and industrial plants incorporate super high-efficiency electrical transformers into their operations.

NEMA originally set the standard for the efficiency of various types of distribution transformers with the publication of NEMA TP 1-2002 Guide for Determining Energy Efficiency for Distribution Transformers, which was later adopted by the U.S. Department of Energy (DOE) as the national energy-efficiency rule for low-voltage dry-type distribution transformers. The new NEMA Premium® Efficiency Transformer designation requires 30 percent fewer losses than existing DOE regulations (10 CFR 431) for low-voltage dry-type distribution transformers.

The transformers covered under the new program are typically used in commercial and industrial applications. However, some electric utilities are considering the NEMA program for their commercial and industrial energy-efficiency rebate programs. The adoption of this program will not only reduce energy consumption, but will also significantly reduce carbon dioxide emissions.

Hammond Power Solutions Inc (HPS) has already been offering super high efficiency transformer lines in the market for many years (the HPS SuperSentinel®, HPS SuperSynergy® and HPS SuperCenturion®). HPS has now updated these lines to meet the efficiency levels in the new NEMA Premium® Efficiency Transformer Program.

For more information about the NEMA Premium® Efficiency Transformer Program, visit;

<http://www.nema.org/gov/energy/efficiency/premium/transformersProgram.cfm>

Please Note; not all premium efficiency low voltage dry-type are the same and the user should closely look at the other design parameters that could affect their system performance.

**As a Partner in the NEMA Premium® Efficiency Transformer Program, HPS has determined that the products indicated in this section with the NEMA Premium® logo meet the NEMA Premium® Efficiency guidelines for super high-efficiency.** (NEMA Premium® is a trademark of National Electrical Manufacturers Association.)



## Product Features and Applications:

HPS offers three lines of energy efficient distribution transformers:

### Linear Load General Purpose Transformers (pages 167 to 192)

General purpose distribution transformers are rated for 600 volts and below. They are generally used for supplying appliance, lighting, heating, motorized machine and power loads from electrical distribution systems. They are either ventilated, totally enclosed. For non-linear loads, all standard DOE 10 CFR Part 431/TP1 distribution transformers have to be derated to allow for additional heat due to harmonic losses.

### Non-Linear Load K-Factor Transformers (pages 193 to 205)

The use of k-factor distribution transformers has become a popular means of addressing harmonic related overheating problems where electronic ballasts, drives, personal computers, telecommunications equipment, broadcasting equipment and other similar power electronics are found in high concentrations. These non-linear loads generate harmonic currents which can substantially increase transformer losses. The k-rated transformer has a more rugged design intended to prevent failure due to overheating.

K-factor is defined as a ratio between the additional losses due to harmonics and the eddy current losses at 60Hz. It is used to specify transformers for non-linear loads. Transformers with a rated k-factor of 4, 13, 20 and other are available.

### Harmonic Mitigating Transformers (pages 206 to 226)

Harmonic Mitigating transformers are superior to k-rated and general purpose transformers in that they reduce voltage distortion (flat-topping) and power losses due to current harmonics created by single-phase, non-linear loads such as computer equipment. Secondary windings are arranged to cancel zero sequence fluxes and eliminate primary winding circulating currents. They treat zero sequence harmonics (3rd, 9th and 15th) within the secondary windings and 5th and 7th harmonics upstream with appropriate phase shifting.

Dual output, phase shifting Harmonic Mitigating Transformers provide extremely low output voltage distortion and input current distortion even under severe non-linear load conditions (data centers, internet service providers, telecom sites, call centers, broadcasting studios, etc.). Combining zero sequence flux cancellation with phase shifting treats 3rd, 5th, 7th, 9th, 15th, 17th and 19th harmonics within its secondary windings.

## HPS Energy Efficient Distribution Transformer Product Offering:

### Energy Efficient General Purpose Transformers:

Energy efficient general purpose transformers are designed for linear loads and are most frequently used for applications such as commercial buildings, which will supply a variety of general loads.

#### HPS SENTINEL® (PART NUMBER PREFIX NMK OR NMF)

- Meets DOE 10 CFR Part 431/TP1 and C802.2 efficiencies at 35% of rated load.
- Efficiencies are calculated under a linear load profile.
- Copper and aluminum available.

#### HPS SUPERSENTINEL® (PART NUMBER PREFIX SMK OR SMF)

- Exceeds DOE 10 CFR Part 431/TP1 and (if applicable) CSA C802.2 efficiencies at 35% of rated load.
- Efficiency performance will meet the NEMA Premium® guidelines; 30% lower losses than DOE 10 CFR Part 431/TP1 and (if applicable) CSA C802.2 standards; when measured under a linear load profile.
- Copper and aluminum available.



## HPS Energy Efficient Distribution Transformer Product Offering Continued...

### Energy Efficient K-Factor Transformers:

#### **HPS SYNERGY® (PART NUMBER PREFIX NMT)**

Energy efficient K-Factor transformers are designed to tolerate heating due to harmonics associated with non-linear loads. Harmonics can indicate their presence in a number of ways: overheating, device malfunctions, telephone interference; equipment vibration; and breakers tripping.

- Meets **DOE 10 CFR Part 431/TP1** and **C802.2** efficiencies at **35%** of rated load.
- Efficiencies are calculated under a **linear load profile**.
- Copper and aluminum available.

#### **HPS SUPERSYNERGY® (PART NUMBER PREFIX SMT)**

The HPS SuperSynergy energy efficient k-factor transformer exceeds DOE 10 CFR Part 431/TP1 and (if applicable) CSA C802.2 efficiencies over a range of linear loads. It will not only satisfy the necessity for running at K-Factor modern building load types, but in addition, because of the increasing need for energy conservation, they are much more efficient than that of our standard energy efficient line.

- Efficiency performance will meet the **NEMA Premium®** guidelines; **30% lower losses** than DOE 10 CFR Part 431/TP1 and (if applicable) CSA C802.2 efficiency standards; when measured under a linear load profile at **35%** of rated load.
- Efficiency will meet or exceed DOE 10 CFR Part 431/TP1 and (if applicable) CSA C802.2 efficiency standards for linear load even at **50%** of rated load when measured under a **non-linear** load up to **K13**.
- Copper and aluminum available.



### Energy Efficient Harmonic Mitigating Transformers:

The HPS Centurion energy efficient, harmonic mitigating transformer with zero sequence flux cancellation technology is specifically designed to treat the harmonics generated by computer equipment and other non-linear, power electronic loads.

Combining zero sequence flux cancellation with phase shifting treats 3rd, 5th, 7th, 9th, 15th, 17th and 19th, harmonics within its secondary windings. Typical applications of severe non-linear loading conditions include data centers, internet-service providers, telecom sites, call centers, broadcast centers, etc.

#### **HPS CENTURION® (PART NUMBER PREFIX H1EM OR H2EM)**

- Meets **DOE 10 CFR Part 431/TP1** and **C802.2** efficiencies at an operating range from **35% to 65%** of rated linear load.
- Meets **DOE 10 CFR Part 431/TP1** and **C802.2** efficiency standards when measured under a **non-linear** load profile up to **K20** in an operating range from **35% to 50%**.
- Copper & Aluminum Available.

#### **HPS SUPERCENTURION® (PART NUMBER PREFIX S1EM OR S2EM)**

- **Exceeds DOE 10 CFR Part 431/TP1** and (if applicable) **C802.2** efficiencies at **35%** of rated load.
- Efficiency performance will meet **NEMA Premium®** guidelines; **30% lower losses** than **DOE 10 CFR Part 431/TP1** and (if applicable) CSA C802.2 efficiency standards when measured under a linear load profile.
- Efficiencies will exceed **DOE 10 CFR Part 431/TP1** and (if applicable) CSA C802.2 standards at an operating range from **35% to 65%** of rated load when measured under a **non-linear** load profile up to **K20**.
- Copper & aluminum available.



# HPS Sentinel®

## 600 VOLT CLASS ENERGY EFFICIENT GENERAL PURPOSE DISTRIBUTION TRANSFORMERS

### General Purpose Distribution Transformer Efficiencies:

Energy efficient general purpose transformers are designed for linear loads and are most frequently used for applications such as commercial buildings which will supply a variety of general loads.

**HPS SENTINEL (PART NUMBER PREFIX NMK OR NMF)**

- Meets **DOE 10 CFR Part 431/TP1** and **C802.2** efficiencies at **35%** of rated load.
- Efficiencies are calculated under a **linear load profile**.
- Copper and aluminum available.



# HPS Sentinel®

## 600 VOLT CLASS ENERGY EFFICIENT GENERAL PURPOSE DISTRIBUTION TRANSFORMERS

ALUMINUM & COPPER, SINGLE PHASE STANDARD SPECIFICATIONS

15 to 37.5 kVA

50 to 167 kVA



	15 to 37.5 kVA	50 to 167 kVA
<b>Efficiency</b>	Meets DOE 10 CFR Part 431 & C802.2 efficiencies at 35% of rated load. Efficiencies are calculated under a linear load profile.	
<b>UL Listed</b>	File: E112313	File: E112313
<b>CSA Certified</b>	File: LR3902	File: LR3902
<b>Frequency</b>	60 Hz	60 Hz
<b>Insulation System</b>	220°C (150°C rise) (optional 115°C and 80°C rise available)	220°C (150°C rise) (optional 115°C and 80°C rise available)
<b>Enclosure Type</b>	Heavy duty ventilated type 3R Optional type 4, 4X (stainless steel) and 12.	Heavy duty ventilated type 3R Optional type 4, 4X (stainless steel) and 12.
<b>Enclosure Finish</b>	ANSI 61 Grey, UL50	ANSI 61 Grey, UL50
<b>Standard Primary Taps</b>	Refer to wiring diagrams for details.	Refer to wiring diagrams for details.
<b>Termination</b>	Front accessible separate high and low voltage terminals; connectors suitable for aluminum and copper are provided for easy cable installation.	Front accessible separate high and low voltage terminals; connectors suitable for aluminum and copper are provided for easy cable installation.
<b>Conduit Knock-Outs</b>	Standard on all units (no knock-outs on Stainless Steel enclosures).	Standard on 50 kVA, 75 kVA & 100 kVA units (no knock-outs on Stainless Steel enclosures).
<b>Impedance</b>	Typically 2.5% to 6.5%	Typically 2.5% to 6.5%
<b>Mounting</b>	Floor or wall/ceiling mounting available. Refer to selection tables for details.	Floor or wall/ceiling mounting available. Refer to selection tables for details.
<b>Seismic</b>	Seismically certified in accordance with IBC 2009; Section 1613 Earthquake Loads, for $S_{DS} \leq 2.00g$ , $z/h = 1.0$ , and $I_p = 1.5$	Seismically certified in accordance with IBC 2009; Section 1613 Earthquake Loads, for $S_{DS} \leq 2.00g$ , $z/h = 1.0$ , and $I_p = 1.5$
<b>Sound level</b>	Meets NEMA ST-20 standards. <b>(Optional low noise units available)</b>	Meets NEMA ST-20 standards. <b>(Optional low noise units available)</b>

Other voltages and kVA sizes not listed in this section are available upon request for both aluminum and copper wound units. Standard features as listed above may differ. Please contact customer service for details, price and availability.

SECTION 7





## ALUMINUM WOUND, SINGLE PHASE

208 Primary Volts

120/240 Secondary Volts

60 Hz

kVA	Catalog Number	Case Style (Pages 264 - 272)	Approx. Dimensions (Inches)			Approx. Weight (Lbs.)	Mtg Type W - Wall F - Floor	Wiring Diagram (Pages 281 - 296)
			Width	Depth	Height			
15	<b>NMF015BE</b>	NH5	19.40	20.20	21.50	170	F or W *	SCD 32
25	<b>NMF025BE</b>	NH6	23.90	25.00	28.75	220	F or W *	SCD 31
37.5	<b>NMF037BE</b>	NH6	23.90	25.00	28.75	260	F or W *	SCD 31
50	<b>NMF050BE</b>	NH3	26.00	25.00	38.00	375	F or W *	SCD 2
75	<b>NMF075BE</b>	NH4	32.00	29.50	41.00	500	F	SCD 39
100	<b>NMF100BE</b>	NH4	32.00	29.50	41.00	650	F	SCD 39
150	<b>NMF150BE</b>	NJ4	32.00	32.50	50.00	850	F	SCD 39
167	<b>NMF167BE</b>	NJ4	32.00	32.50	50.00	950	F	SCD 39

For shielded units, please add the suffix "S" to the above part numbers.

\*WALL MOUNTING KIT AND/OR DRIP PLATE KIT REQUIRED.  
REFER TO PAGES 276 TO 277 FOR DETAILS.

240 X 480 Primary Volts

120/240 Secondary Volts

60 Hz

kVA	Catalog Number	Case Style (Pages 264 - 272)	Approx. Dimensions (Inches)			Approx. Weight (Lbs.)	Mtg Type W - Wall F - Floor	Wiring Diagram (Pages 281 - 296)
			Width	Depth	Height			
15	<b>NMF015LE</b>	NH5	19.40	20.20	21.50	170	F or W *	SCD 34
25	<b>NMF025LE</b>	NH6	23.90	25.00	28.75	220	F or W *	SCD 17
37.5	<b>NMF037LE</b>	NH6	23.90	25.00	28.75	260	F or W *	SCD 17
50	<b>NMF050LE</b>	NH3	26.00	25.00	38.00	370	F or W *	SCD 17
75	<b>NMF075LE</b>	NH3	26.00	25.00	38.00	500	F or W *	SCD 17
100	<b>NMF100LE</b>	NH4	32.00	29.50	41.00	650	F	SCD 17
150	<b>NMF150LE</b>	NJ4	32.00	32.50	50.00	850	F	SCD 17
167	<b>NMF167LE</b>	NJ4	32.00	32.50	50.00	900	F	SCD 17

For shielded units, please add the suffix "S" to the above part numbers.

\*WALL MOUNTING KIT AND/OR DRIP PLATE KIT REQUIRED.  
REFER TO PAGES 276 TO 277 FOR DETAILS.

277 Primary Volts

120/240 Secondary Volts

60 Hz

kVA	Catalog Number	Case Style (Pages 264 - 272)	Approx. Dimensions (Inches)			Approx. Weight (Lbs.)	Mtg Type W - Wall F - Floor	Wiring Diagram (Pages 281 - 296)
			Width	Depth	Height			
15	<b>NMF015FE</b>	NH5	19.40	20.20	21.50	170	F or W *	SCD 32
25	<b>NMF025FE</b>	NH6	23.90	25.00	28.75	260	F or W *	SCD 31
37.5	<b>NMF037FE</b>	NH6	23.90	25.00	28.75	400	F or W *	SCD 31
50	<b>NMF050FE</b>	NH3	26.00	25.00	38.00	450	F or W *	SCD 31
75	<b>NMF075FE</b>	NH3	26.00	25.00	38.00	650	F or W *	SCD 31
100	<b>NMF100FE</b>	NH4	32.00	29.50	41.00	700	F	SCD 39
150	<b>NMF150FE</b>	NJ4	32.00	32.50	50.00	830	F	SCD 39
167	<b>NMF167FE</b>	NJ4	32.00	32.50	50.00	880	F	SCD 39

For shielded units, please add the suffix "S" to the above part numbers.

\*WALL MOUNTING KIT AND/OR DRIP PLATE KIT REQUIRED.  
REFER TO PAGES 276 TO 277 FOR DETAILS.

416 Primary Volts

120/240 Secondary Volts

60 Hz

kVA	Catalog Number	Case Style (Pages 264 - 272)	Approx. Dimensions (Inches)			Approx. Weight (Lbs.)	Mtg Type W - Wall F - Floor	Wiring Diagram (Pages 281 - 296)
			Width	Depth	Height			
15	<b>NMF015HE</b>	NH5	19.40	20.20	21.50	220	F or W *	SCD 32
25	<b>NMF025HE</b>	NH6	23.90	25.00	28.75	220	F or W *	SCD 31
37.5	<b>NMF037HE</b>	NH6	23.90	25.00	28.75	260	F or W *	SCD 31
50	<b>NMF050HE</b>	NH3	26.00	25.00	38.00	400	F or W *	SCD 31
75	<b>NMF075HE</b>	NH3	26.00	25.00	38.00	480	F or W *	SCD 31
100	<b>NMF100HE</b>	NH4	32.00	29.50	41.00	650	F	SCD 39
150	<b>NMF150HE</b>	NJ4	32.00	32.50	50.00	850	F	SCD 39
167	<b>NMF167HE</b>	NJ4	32.00	32.50	50.00	900	F	SCD 39

For shielded units, please add the suffix "S" to the above part numbers.

\*WALL MOUNTING KIT AND/OR DRIP PLATE KIT REQUIRED.  
REFER TO PAGES 276 TO 277 FOR DETAILS.

**Note:** For units smaller than 15kVA, please refer to the single phase encapsulated units in Section 8. Products listed on this page are available as 'CE Mark' products. Please consult our sales office.



FOR TERMINATION DETAILS SEE PAGE 280

FOR ACCESSORIES SEE PAGES 276 TO 278





## ALUMINUM WOUND, SINGLE PHASE

600 Primary Volts

120/240 Secondary Volts

60 Hz

kVA	Catalog Number	Case Style (Pages 264 - 272)	Approx. Dimensions (Inches)			Approx. Weight (Lbs.)	Mtg Type W - Wall F - Floor	Wiring Diagram (Pages 281 - 296)
			Width	Depth	Height			
15	NMF015PE	NH5	19.40	20.20	21.50	220	F or W *	SCD 32
25	NMF025PE	NH6	23.90	25.00	28.75	220	F or W *	SCD 31
37.5	NMF037PE	NH6	23.90	25.00	28.75	260	F or W *	SCD 31
50	NMF050PE	NH3	26.00	25.00	38.00	400	F or W *	SCD 31
75	NMF075PE	NH3	26.00	25.00	38.00	480	F or W *	SCD 31
100	NMF100PE	NH4	32.00	29.50	41.00	650	F	SCD 39
150	NMF150PE	NJ4	32.00	32.50	50.00	850	F	SCD 39
167	NMF167PE	NJ4	32.00	32.50	50.00	900	F	SCD 39

For shielded units, please add the suffix "S" to the above part numbers.

\*WALL MOUNTING KIT AND/OR DRIP PLATE KIT REQUIRED. REFER TO PAGES 276 TO 277 FOR DETAILS.

## SINGLE PHASE, EXPORT MODEL

190/200/208/220 X 380/400/416/440 Primary Volts

120/240 Secondary Volts

50/60 Hz\*\*

kVA	Catalog Number	Case Style (Pages 264 - 272)	Approx. Dimensions (Inches)			Approx. Weight (Lbs.)	Mtg Type W - Wall F - Floor	Wiring Diagram (Pages 281 - 296)	
			Width	Depth	Height				
15	NMF015XE	NH6	23.90	25.00	28.75	190	F or W *	SCD 30	
25	NMF025XE	NH6	23.90	25.00	28.75	240	F or W *	SCD 30	
37.5	NMF037XE	NH6	23.90	25.00	28.75	300	F or W *	SCD 30	
50	NMF050XE	NH3	26.00	25.00	38.00	390	F or W *	SCD 30	
75	NMF075XE	NH3	26.00	25.00	38.00	540	F or W *	SCD 30	
100	NMF100XE	NH4	32.00	29.50	41.00	700	F	SCD 30	
150	NMF150XE	<b>CONSULT FACTORY</b>						F	SCD 30
167	NMF167XE	<b>CONSULT FACTORY</b>						F	SCD 30

For shielded units, please add the suffix "S" to the above part numbers.

\*\*Note: Meets DOE 10 CFR Part 431 and C802.2 at 60 Hz.

\*WALL MOUNTING KIT AND/OR DRIP PLATE KIT REQUIRED. REFER TO PAGES 276 TO 277 FOR DETAILS.

## COPPER WOUND, SINGLE PHASE

208 Primary Volts

120/240 Secondary Volts

60 Hz

kVA	Catalog Number	Case Style (Pages 264 - 272)	Approx. Dimensions (Inches)			Approx. Weight (Lbs.)	Mtg Type W - Wall F - Floor	Wiring Diagram (Pages 281 - 296)
			Width	Depth	Height			
15	NMF015BEC	NH5	19.40	20.20	21.50	180	F or W *	SCD 32
25	NMF025BEC	NH6	23.90	25.00	28.75	240	F or W *	SCD 31
37.5	NMF037BEC	NH6	23.90	25.00	28.75	300	F or W *	SCD 31
50	NMF050BEC	NH3	26.00	25.00	38.00	375	F or W *	SCD 2
75	NMF075BEC	NH3	26.00	25.00	38.00	525	F or W *	SCD 31
100	NMF100BEC	NH4	32.00	29.50	41.00	650	F	SCD 39
150	NMF150BEC	NJ4	32.00	32.50	50.00	900	F	SCD 39
167	NMF167BEC	NJ4	32.00	32.50	50.00	1000	F	SCD 39

For shielded units, please replace the suffix "C" with a "K" on the above part numbers.

\*WALL MOUNTING KIT AND/OR DRIP PLATE KIT REQUIRED. REFER TO PAGES 276 TO 277 FOR DETAILS.

240 X 480 Primary Volts

120/240 Secondary Volts

60 Hz

kVA	Catalog Number	Case Style (Pages 264 - 272)	Approx. Dimensions (Inches)			Approx. Weight (Lbs.)	Mtg Type W - Wall F - Floor	Wiring Diagram (Pages 281 - 296)
			Width	Depth	Height			
15	NMF015LEC	NH5	19.40	20.20	21.50	180	F or W *	SCD 34
25	NMF025LEC	NH6	23.90	25.00	28.75	240	F or W *	SCD 17
37.5	NMF037LEC	NH6	23.90	25.00	28.75	300	F or W *	SCD 17
50	NMF050LEC	NH3	26.00	25.00	38.00	375	F or W *	SCD 17
75	NMF075LEC	NH3	26.00	25.00	38.00	525	F or W *	SCD 17
100	NMF100LEC	NH4	32.00	29.50	41.00	650	F	SCD 17
150	NMF150LEC	NJ4	32.00	32.50	50.00	900	F	SCD 17
167	NMF167LEC	NJ4	32.00	32.50	50.00	1000	F	SCD 17

For shielded units, please replace the suffix "C" with a "K" on the above part numbers.

\*WALL MOUNTING KIT AND/OR DRIP PLATE KIT REQUIRED. REFER TO PAGES 276 TO 277 FOR DETAILS.

**Note: For units smaller than 15kVA, please refer to the single phase encapsulated units in Section 8.**

Products listed on this page are available as 'CE Mark' products. Please consult our sales office.

FOR TERMINATION DETAILS SEE PAGE 280

FOR ACCESSORIES SEE PAGES 276 TO 278





60 Hz

## COPPER WOUND, SINGLE PHASE

277 Primary Volts

120/240 Secondary Volts

kVA	Catalog Number	Case Style (Pages 264 - 272)	Approx. Dimensions (Inches)			Approx. Weight (Lbs.)	Mtg Type W - Wall F - Floor	Wiring Diagram (Pages 281 - 296)
			Width	Depth	Height			
15	NMF015FEC	NH5	19.40	20.20	21.50	180	F or W *	SCD 32
25	NMF025FEC	NH6	23.90	25.00	28.75	240	F or W *	SCD 31
37.5	NMF037FEC	NH6	23.90	25.00	28.75	300	F or W *	SCD 31
50	NMF050FEC	NH3	26.00	25.00	38.00	375	F or W *	SCD 31
75	NMF075FEC	NH3	26.00	25.00	38.00	525	F or W *	SCD 31
100	NMF100FEC	NH4	32.00	29.50	41.00	650	F	SCD 39
150	NMF150FEC	NJ4	32.00	32.50	50.00	900	F	SCD 39
167	NMF167FEC	NJ4	32.00	32.50	50.00	1000	F	SCD 39

For shielded units, please replace the suffix "C" with a "K" on the above part numbers.

\*WALL MOUNTING KIT AND/OR DRIP PLATE KIT REQUIRED. REFER TO PAGES 276 TO 277 FOR DETAILS.

416 Primary Volts

120/240 Secondary Volts

60 Hz

kVA	Catalog Number	Case Style (Pages 264 - 272)	Approx. Dimensions (Inches)			Approx. Weight (Lbs.)	Mtg Type W - Wall F - Floor	Wiring Diagram (Pages 281 - 296)
			Width	Depth	Height			
15	NMF015HEC	NH5	19.40	20.20	21.50	180	F or W *	SCD 32
25	NMF025HEC	NH6	23.90	25.00	28.75	240	F or W *	SCD 31
37.5	NMF037HEC	NH6	23.90	25.00	28.75	300	F or W *	SCD 31
50	NMF050HEC	NH3	26.00	25.00	38.00	375	F or W *	SCD 31
75	NMF075HEC	NH3	26.00	25.00	38.00	525	F or W *	SCD 31
100	NMF100HEC	NH4	32.00	29.50	41.00	650	F	SCD 39
150	NMF150HEC	NJ4	32.00	32.50	50.00	900	F	SCD 39
167	NMF167HEC	NJ4	32.00	32.50	50.00	1000	F	SCD 39

For shielded units, please replace the suffix "C" with a "K" on the above part numbers.

\*WALL MOUNTING KIT AND/OR DRIP PLATE KIT REQUIRED. REFER TO PAGES 276 TO 277 FOR DETAILS.

600 Primary Volts

120/240 Secondary Volts

60 Hz

kVA	Catalog Number	Case Style (Pages 264 - 272)	Approx. Dimensions (Inches)			Approx. Weight (Lbs.)	Mtg Type W - Wall F - Floor	Wiring Diagram (Pages 281 - 296)
			Width	Depth	Height			
15	NMF015PEC	NH5	19.40	20.20	21.50	180	F or W *	SCD 32
25	NMF025PEC	NH6	23.90	25.00	28.75	240	F or W *	SCD 31
37.5	NMF037PEC	NH6	23.90	25.00	28.75	300	F or W *	SCD 31
50	NMF050PEC	NH3	26.00	25.00	38.00	375	F or W *	SCD 31
75	NMF075PEC	NH3	26.00	25.00	38.00	525	F or W *	SCD 31
100	NMF100PEC	NH4	32.00	29.50	41.00	650	F	SCD 39
150	NMF150PEC	NJ4	32.00	32.50	50.00	900	F	SCD 39
167	NMF167PEC	NJ4	32.00	32.50	50.00	1000	F	SCD 39

For shielded units, please replace the suffix "C" with a "K" on the above part numbers.

\*WALL MOUNTING KIT AND/OR DRIP PLATE KIT REQUIRED. REFER TO PAGES 276 TO 277 FOR DETAILS.

## SINGLE PHASE, EXPORT MODEL

190/200/208/220 X 380/400/416/440 Primary Volts 120/240 Secondary Volts 50/60 Hz\*\*

kVA	Catalog Number	Case Style (Pages 264 - 272)	Approx. Dimensions (Inches)			Approx. Weight (Lbs.)	Mtg Type W - Wall F - Floor	Wiring Diagram (Pages 281 - 296)
			Width	Depth	Height			
15	NMF015XEC	NH6	23.90	25.00	28.75	190	F or W *	SCD 30
25	NMF025XEC	NH6	23.90	25.00	28.75	240	F or W *	SCD 30
37.5	NMF037XEC	NH6	23.90	25.00	28.75	300	F or W *	SCD 30
50	NMF050XEC	NH3	26.00	25.00	38.00	390	F or W *	SCD 30
75	NMF075XEC	NH3	26.00	25.00	38.00	540	F or W *	SCD 30
100	NMF100XEC	NH4	32.00	29.50	41.00	700	F	SCD 30
150	NMF150XEC		<b>CONSULT FACTORY</b>				F	SCD 30
167	NMF167XEC		<b>CONSULT FACTORY</b>				F	SCD 30

For shielded units, please add the suffix "S" to the above part numbers.

\*\*Note: Meets DOE 10 CFR Part 431 and C802.2 at 60 Hz.

\*WALL MOUNTING KIT AND/OR DRIP PLATE KIT REQUIRED. REFER TO PAGES 276 TO 277 FOR DETAILS.

**Note: For units smaller than 15kVA, please refer to the single phase encapsulated units in Section 8.**

Products listed on this page are available as 'CE Mark' products. Please consult our sales office.

FOR TERMINATION DETAILS SEE PAGE 280

FOR ACCESSORIES SEE PAGES 276 TO 278





# HPS Sentinel®

## 600 VOLT CLASS ENERGY EFFICIENT GENERAL PURPOSE DISTRIBUTION TRANSFORMER

ALUMINUM & COPPER, THREE PHASE STANDARD SPECIFICATIONS

15 to 45 kVA

75 to 750 kVA



	15 to 45 kVA	75 to 750 kVA
<b>Efficiency</b>	Meets DOE 10 CRF Part 431 & C802.2 efficiencies at 35% of rated load. Efficiencies are calculated under a linear load profile.	
<b>UL Listed</b>	File: E112313	File: E112313
<b>CSA Certified</b>	File: LR3902	File: LR3902
<b>Frequency</b>	60 Hz	60 Hz
<b>Insulation System</b>	220°C (150°C rise) 200°C (130°C rise) on 15 & 30kVA copper (optional 115°C and 80°C rise available)	220°C (150°C rise) (optional 115°C and 80°C rise available)
<b>Enclosure Type</b>	Heavy duty ventilated type 3R Optional type 4, 4X (stainless steel) and 12.	Heavy duty ventilated type 3R Optional type 4, 4X (stainless steel) and 12.
<b>Enclosure Finish</b>	ANSI 61 Grey, UL50	ANSI 61 Grey, UL50
<b>Neutral</b>	Neutral terminal for field connection (on applicable units).	Neutral terminal for field connection (on applicable units).
<b>Standard Primary Taps</b>	Refer to wiring diagrams for details.	Refer to wiring diagrams for details.
<b>Termination</b>	Front accessible separate high and low voltage terminals; connectors suitable for aluminum and copper are provided for easy cable installation.	Front accessible separate high and low voltage terminals; connectors suitable for aluminum and copper are provided for easy cable installation.
<b>Conduit Knock-Outs</b>	Standard on all units (no knock-outs on Stainless Steel enclosures).	Standard on 75 kVA & 150 kVA units (no knock-outs on Stainless Steel enclosures).
<b>Impedance</b>	Typically 2.5% to 6.5%	Typically 2.5% to 6.5%
<b>Mounting</b>	Floor or wall/ceiling mounting available. Refer to selection tables for details.	Floor or wall/ceiling mounting available. Refer to selection tables for details.
<b>Seismic</b>	Seismically certified in accordance with IBC 2009; Section 1613 Earthquake Loads, for $S_{DS} \leq 2.00g$ , $z/h = 1.0$ , and $I_p = 1.5$	Seismically certified in accordance with IBC 2009; Section 1613 Earthquake Loads, for $S_{DS} \leq 2.00g$ , $z/h = 1.0$ , and $I_p = 1.5$
<b>Sound level</b>	Meets NEMA ST-20 standards. (Optional low noise units available)	Meets NEMA ST-20 standards. (Optional low noise units available)

Other voltages and kVA sizes not listed in this section are available upon request for both aluminum and copper wound units. Features as listed above may differ. Please contact customer service for details, price and availability.

FOR TERMINATION DETAILS SEE PAGE 280

FOR ACCESSORIES SEE PAGES 276 TO 278



SECTION 7



## ALUMINUM WOUND, THREE PHASE

208 Delta Primary Volts

208Y/120 Secondary Volts

60 Hz

kVA	Catalog Number	Case Style (Pages 264 - 272)	Approx. Dimensions (Inches)			Approx. Weight (Lbs.)	Mtg Type W - Wall F - Floor	Wiring Diagram (Pages 281 - 296)
			Width	Depth	Height			
15	NMK015BB	NH5	19.40	20.20	21.50	200	F or W *	SCD 7
30	NMK030BB	NH6	23.90	25.00	28.75	280	F or W *	SCD 9
45	NMK045BB	NH6	23.90	25.00	28.75	375	F or W *	SCD 9
75	NMK075BB	NH3	26.00	25.00	38.00	540	F or W *	SCD 9
112.5	NMK112BB	NH3	26.00	25.00	38.00	775	F	SCD 9
150	NMK150BB	NH4	32.00	29.50	41.00	850	F	SCD 9
225	NMK225BB	NH4	32.00	29.50	41.00	1400	F	SCD 9
300	NMK300BB	NJ1	39.50	34.00	51.50	1700	F	SCD 9
500	NMK500BB	NJ2	48.50	38.40	59.00	2700	F	SCD 25
750	NMK750BB	NJ3	51.50	43.40	66.00	3250	F	SCD 25

For shielded units, please add the suffix "S" to the above part numbers.

\*WALL MOUNTING KIT AND/OR DRIP PLATE KIT REQUIRED. REFER TO PAGES 276 TO 277 FOR DETAILS.

208 Delta Primary Volts

480Y/277 Secondary Volts

60 Hz

kVA	Catalog Number	Case Style (Pages 264 - 272)	Approx. Dimensions (Inches)			Approx. Weight (Lbs.)	Mtg Type W - Wall F - Floor	Wiring Diagram (Pages 281 - 296)
			Width	Depth	Height			
15	NMK015BK	NH5	19.40	20.20	21.50	200	F or W *	SCD 40
30	NMK030BK	NH6	23.90	25.00	28.75	280	F or W *	SCD 26
45	NMK045BK	NH6	23.90	25.00	28.75	375	F or W *	SCD 26
75	NMK075BK	NH3	26.00	25.00	38.00	540	F or W *	SCD 26
112.5	NMK112BK	NH3	26.00	25.00	38.00	775	F	SCD 26
150	NMK150BK	NH4	32.00	29.50	41.00	850	F	SCD 26
225	NMK225BK	NH4	32.00	29.50	41.00	1400	F	SCD 26
300	NMK300BK	NJ1	39.50	34.00	51.50	1850	F	SCD 26
500	NMK500BK	NJ2	48.50	38.40	59.00	2700	F	SCD 23
750	NMK750BK	NJ3	51.50	43.40	66.00	3250	F	SCD 40

For shielded units, please add the suffix "S" to the above part numbers.

\*WALL MOUNTING KIT AND/OR DRIP PLATE KIT REQUIRED. REFER TO PAGES 276 TO 277 FOR DETAILS.

240 Delta Primary Volts

208Y/120 Secondary Volts

60 Hz

kVA	Catalog Number	Case Style (Pages 264 - 272)	Approx. Dimensions (Inches)			Approx. Weight (Lbs.)	Mtg Type W - Wall F - Floor	Wiring Diagram (Pages 281 - 296)
			Width	Depth	Height			
15	NMK015DB	NH5	19.40	20.20	21.50	200	F or W *	SCD 25
30	NMK030DB	NH6	23.90	25.00	28.75	280	F or W *	SCD 9
45	NMK045DB	NH6	23.90	25.00	28.75	375	F or W *	SCD 9
75	NMK075DB	NH3	26.00	25.00	38.00	540	F or W *	SCD 9
112.5	NMK112DB	NH3	26.00	25.00	38.00	775	F	SCD 9
150	NMK150DB	NH4	32.00	29.50	41.00	850	F	SCD 9
225	NMK225DB	NH4	32.00	29.50	41.00	1400	F	SCD 9
300	NMK300DB	NJ1	39.50	34.00	51.50	1700	F	SCD 9
500	NMK500DB	NJ2	48.50	38.40	59.00	2700	F	NO TAPS
750	NMK750DB	NJ3	51.50	43.40	66.00	3250	F	NO TAPS

For shielded units, please add the suffix "S" to the above part numbers.

\*WALL MOUNTING KIT AND/OR DRIP PLATE KIT REQUIRED. REFER TO PAGES 276 TO 277 FOR DETAILS.

**Note: For units smaller than 15kVA, please refer to the three phase encapsulated units in Section 8. Products listed on this page are available as 'CE Mark' products. Please consult our sales office.**

FOR TERMINATION DETAILS SEE PAGE 280

FOR ACCESSORIES SEE PAGES 276 TO 278



## ALUMINUM WOUND, THREE PHASE



240 Delta Primary Volts

480Y/277 Secondary Volts

60 Hz

kVA	Catalog Number	Case Style (Pages 264 - 272)	Approx. Dimensions (Inches)			Approx. Weight (Lbs.)	Mtg Type W - Wall F - Floor	Wiring Diagram (Pages 281 - 296)
			Width	Depth	Height			
15	NMK015DK	NH5	19.40	20.20	21.50	200	F or W *	SCD 40
30	NMK030DK	NH6	23.90	25.00	28.75	280	F or W *	SCD 26
45	NMK045DK	NH6	23.90	25.00	28.75	375	F or W *	SCD 26
75	NMK075DK	NH3	26.00	25.00	38.00	540	F or W *	SCD 26
112.5	NMK112DK	NH3	26.00	25.00	38.00	775	F	SCD 26
150	NMK150DK	NH4	32.00	29.50	41.00	850	F	SCD 26
225	NMK225DK	NH4	32.00	29.50	41.00	1400	F	SCD 26
300	NMK300DK	NJ1	39.50	34.00	51.50	1700	F	SCD 26
500	NMK500DK	NJ2	48.50	38.40	59.00	2700	F	NO TAPS
750	NMK750DK	NJ3	51.50	43.40	66.00	3250	F	NO TAPS

For shielded units, please add the suffix "S" to the above part numbers.

\*WALL MOUNTING KIT AND/OR DRIP PLATE KIT REQUIRED. REFER TO PAGES 276 TO 277 FOR DETAILS.

480 Delta Primary Volts

208Y/120 Secondary Volts

60 Hz

kVA	Catalog Number	Case Style (Pages 264 - 272)	Approx. Dimensions (Inches)			Approx. Weight (Lbs.)	Mtg Type W - Wall F - Floor	Wiring Diagram (Pages 281 - 296)
			Width	Depth	Height			
15	NMK015KB	NH5	19.40	20.20	21.50	200	F or W *	SCD 7
30	NMK030KB	NH6	23.90	25.00	28.75	280	F or W *	SCD 19
45	NMK045KB	NH6	23.90	25.00	28.75	375	F or W *	SCD 19
75	NMK075KB	NH3	26.00	25.00	38.00	540	F or W *	SCD 19
112.5	NMK112KB	NH3	26.00	25.00	38.00	775	F	SCD 19
150	NMK150KB	NH4	32.00	29.50	41.00	850	F	SCD 19
225	NMK225KB	NH4	32.00	29.50	41.00	1400	F	SCD 19
300	NMK300KB	NJ1	39.50	34.00	51.50	1700	F	SCD 19
500	NMK500KB	NJ2	48.50	38.40	59.00	2150	F	SCD 20
750	NMK750KB	NJ3	51.50	43.40	66.00	3200	F	SCD 20

For shielded units, please add the suffix "S" to the above part numbers.

\*WALL MOUNTING KIT AND/OR DRIP PLATE KIT REQUIRED. REFER TO PAGES 276 TO 277 FOR DETAILS.

480 Delta Primary Volts

240 Delta/120 CT Secondary Volts

60 Hz

kVA	Catalog Number	Case Style (Pages 264 - 272)	Approx. Dimensions (Inches)			Approx. Weight (Lbs.)	Mtg Type W - Wall F - Floor	Wiring Diagram (Pages 281 - 296)
			Width	Depth	Height			
15	NMK015KD	NH5	19.40	20.20	21.50	200	F or W *	SCD 13
30	NMK030KD	NH6	23.90	25.00	28.75	280	F or W *	SCD 21
45	NMK045KD	NH6	23.90	25.00	28.75	375	F or W *	SCD 21
75	NMK075KD	NH3	26.00	25.00	38.00	540	F or W *	SCD 21
112.5	NMK112KD	NH3	26.00	25.00	38.00	775	F	SCD 21
150	NMK150KD	NH4	32.00	29.50	41.00	850	F	SCD 21
225	NMK225KD	NH4	32.00	29.50	41.00	1400	F	SCD 21
300	NMK300KD	NJ1	39.50	34.00	51.50	1700	F	SCD 21
500	NMK500KD	NJ2	48.50	38.40	59.00	2700	F	SCD 22
750	NMK750KD	NJ3	51.50	43.40	66.00	3250	F	SCD 22

For shielded units, please add the suffix "S" to the above part numbers.

\*WALL MOUNTING KIT AND/OR DRIP PLATE KIT REQUIRED. REFER TO PAGES 276 TO 277 FOR DETAILS.

**Note: For units smaller than 15kVA, please refer to the three phase encapsulated units in Section 8.**  
Products listed on this page are available as 'CE Mark' products. Please consult our sales office.

FOR TERMINATION DETAILS SEE PAGE 280

FOR ACCESSORIES SEE PAGES 276 TO 278



SECTION 7



## ALUMINUM WOUND, THREE PHASE

480 Delta Primary Volts

380Y/220, 400Y/231, 416Y/240, 430Y/248 Secondary Volts

60 Hz

kVA	Catalog Number	Case Style (Pages 264 - 272)	Approx. Dimensions (Inches)			Approx. Weight (Lbs.)	Mtg Type W - Wall F - Floor	Wiring Diagram (Pages 281 - 296)
			Width	Depth	Height			
15	<b>NMK015KY</b>	NH6	23.9	25	28.75	170	F or W*	SCD 52
30	<b>NMK030KY</b>	NH6	23.9	25	28.75	290	F or W*	SCD 52
45	<b>NMK045KY</b>	NH6	23.9	25	28.75	435	F or W*	SCD 52
75	<b>NMK075KY</b>	NH3	26	25	38	550	F	SCD 52
112.5	<b>NMK112KY</b>	NH3	26	25	38	755	F	SCD 52

For shielded units, please add the suffix "S" to the above part numbers.

\*WALL MOUNTING KIT AND/OR DRIP PLATE KIT REQUIRED. REFER TO PAGES 276 TO 277 FOR DETAILS.

480 Delta Primary Volts

480Y/277 Secondary Volts

60 Hz

kVA	Catalog Number	Case Style (Pages 264 - 272)	Approx. Dimensions (Inches)			Approx. Weight (Lbs.)	Mtg Type W - Wall F - Floor	Wiring Diagram (Pages 281 - 296)
			Width	Depth	Height			
15	<b>NMK015KK</b>	NH5	19.40	20.20	21.50	200	F or W *	SCD 25
30	<b>NMK030KK</b>	NH6	23.90	25.00	28.75	280	F or W *	SCD 19
45	<b>NMK045KK</b>	NH6	23.90	25.00	28.75	375	F or W *	SCD 19
75	<b>NMK075KK</b>	NH3	26.00	25.00	38.00	540	F or W *	SCD 19
112.5	<b>NMK112KK</b>	NH3	26.00	25.00	38.00	775	F	SCD 19
150	<b>NMK150KK</b>	NH4	32.00	29.50	41.00	850	F	SCD 19
225	<b>NMK225KK</b>	NH4	32.00	29.50	41.00	1400	F	SCD 19
300	<b>NMK300KK</b>	NJ1	39.50	34.00	51.50	1700	F	SCD 19
500	<b>NMK500KK</b>	NJ2	48.50	38.40	59.00	2700	F	SCD 20
750	<b>NMK750KK</b>	NJ3	51.50	43.40	66.00	3250	F	SCD 20

For shielded units, please add the suffix "S" to the above part numbers.

\*WALL MOUNTING KIT AND/OR DRIP PLATE KIT REQUIRED. REFER TO PAGES 276 TO 277 FOR DETAILS.

600 Delta Primary Volts

208Y/120 Secondary Volts

60 Hz

kVA	Catalog Number	Case Style (Pages 264 - 272)	Approx. Dimensions (Inches)			Approx. Weight (Lbs.)	Mtg Type W - Wall F - Floor	Wiring Diagram (Pages 281 - 296)
			Width	Depth	Height			
15	<b>NMK015PB</b>	NH5	19.40	20.20	21.50	200	F or W *	SCD 9
30	<b>NMK030PB</b>	NH6	23.90	25.00	28.75	280	F or W *	SCD 9
45	<b>NMK045PB</b>	NH6	23.90	25.00	28.75	375	F or W *	SCD 9
75	<b>NMK075PB</b>	NH3	26.00	25.00	38.00	540	F or W *	SCD 9
112.5	<b>NMK112PB</b>	NH3	26.00	25.00	38.00	775	F	SCD 9
150	<b>NMK150PB</b>	NH4	32.00	29.50	41.00	850	F	SCD 9
225	<b>NMK225PB</b>	NH4	32.00	29.50	41.00	1400	F	SCD 9
300	<b>NMK300PB</b>	NJ1	39.50	34.00	51.50	1700	F	SCD 9
500	<b>NMK500PB</b>	NJ2	48.50	38.40	59.00	2200	F	SCD 10
750	<b>NMK750PB</b>	NJ3	51.50	43.40	66.00	3250	F	SCD 10

For shielded units, please add the suffix "S" to the above part numbers.

\*WALL MOUNTING KIT AND/OR DRIP PLATE KIT REQUIRED. REFER TO PAGES 276 TO 277 FOR DETAILS.

**Note: For units smaller than 15kVA, please refer to the three phase encapsulated units in Section 8.**  
Products listed on this page are available as 'CE Mark' products. Please consult our sales office.

FOR TERMINATION DETAILS SEE PAGE 280

FOR ACCESSORIES SEE PAGES 276 TO 278

Data subject to change without notice.





## ALUMINUM WOUND, THREE PHASE

600Y Primary Volts

240 Delta Secondary Volts

60 Hz

kVA	Catalog Number	Case Style (Pages 264 - 272)	Approx. Dimensions (Inches)			Approx. Weight (Lbs.)	Mtg Type W - Wall F - Floor	Wiring Diagram (Pages 281 - 296)
			Width	Depth	Height			
15	NMK015PD	NH5	19.40	20.20	21.50	200	F or W *	SCD 16
30	NMK030PD	NH6	23.90	25.00	28.75	280	F or W *	SCD 16
45	NMK045PD	NH6	23.90	25.00	28.75	375	F or W *	SCD 16
75	NMK075PD	NH3	26.00	25.00	38.00	540	F or W *	SCD 16
112.5	NMK112PD	NH3	26.00	25.00	38.00	775	F	SCD 16
150	NMK150PD	NH4	32.00	29.50	41.00	850	F	SCD 16
225	NMK225PD	NH4	32.00	29.50	41.00	1400	F	SCD 16
300	NMK300PD	NJ1	39.50	34.00	51.50	1700	F	SCD 16
500	NMK500PD	NJ2	48.50	38.40	59.00	2700	F	SCD 29
750	NMK750PD	NJ3	51.50	43.40	66.00	3250	F	SCD 29

For shielded units, please add the suffix "S" to the above part numbers.

\*WALL MOUNTING KIT AND/OR DRIP PLATE KIT REQUIRED. REFER TO PAGES 276 TO 277 FOR DETAILS.

600 Delta Primary Volts

480Y/277 Secondary Volts

60 Hz

kVA	Catalog Number	Case Style (Pages 264 - 272)	Approx. Dimensions (Inches)			Approx. Weight (Lbs.)	Mtg Type W - Wall F - Floor	Wiring Diagram (Pages 281 - 296)
			Width	Depth	Height			
15	NMK015PK	NH5	19.40	20.20	21.50	200	F or W *	SCD 9
30	NMK030PK	NH6	23.90	25.00	28.75	280	F or W *	SCD 9
45	NMK045PK	NH6	23.90	25.00	28.75	375	F or W *	SCD 9
75	NMK075PK	NH3	26.00	25.00	38.00	540	F or W *	SCD 9
112.5	NMK112PK	NH3	26.00	25.00	38.00	775	F	SCD 9
150	NMK150PK	NH4	32.00	29.50	41.00	850	F	SCD 9
225	NMK225PK	NH4	32.00	29.50	41.00	1400	F	SCD 9
300	NMK300PK	NJ1	39.50	34.00	51.50	1700	F	SCD 9
500	NMK500PK	NJ2	48.50	38.40	59.00	2700	F	SCD 10
750	NMK750PK	NJ3	51.50	43.40	66.00	3250	F	SCD 10

For shielded units, please add the suffix "S" to the above part numbers.

\*WALL MOUNTING KIT AND/OR DRIP PLATE KIT REQUIRED. REFER TO PAGES 276 TO 277 FOR DETAILS.

## COPPER WOUND, THREE PHASE

208 Delta Primary Volts

208Y/120 Secondary Volts

60 Hz

kVA	Catalog Number	Case Style (Pages 264 - 272)	Approx. Dimensions (Inches)			Approx. Weight (Lbs.)	Mtg Type W - Wall F - Floor	Wiring Diagram (Pages 281 - 296)
			Width	Depth	Height			
15	NMK015BBCN	NH5	19.40	20.20	21.50	200	F or W *	SCD 7
30	NMK030BBC	NH6	23.90	25.00	28.75	300	F or W *	SCD 9
45	NMK045BBC	NH6	23.90	25.00	28.75	400	F or W *	SCD 9
75	NMK075BBC	NH3	26.00	25.00	38.00	600	F or W *	SCD 9
112.5	NMK112BBC	NH3	26.00	25.00	38.00	850	F	SCD 9
150	NMK150BBC	NH4	32.00	29.50	41.00	975	F	SCD 9
225	NMK225BBC	NJ1	39.50	34.00	51.50	1850	F	SCD 9
300	NMK300BBC	NJ1	39.50	34.00	51.50	1850	F	SCD 9
500	NMK500BBC	NJ2	48.50	38.40	59.00	2800	F	SCD 25
750	NMK750BBC	NJ3	51.50	43.40	66.00	3550	F	SCD 25

For shielded units, please replace the suffix "C" with "K" on the above part numbers.

\*WALL MOUNTING KIT AND/OR DRIP PLATE KIT REQUIRED. REFER TO PAGES 276 TO 277 FOR DETAILS.

**Note: For units smaller than 15kVA, please refer to the three phase encapsulated units in Section 8. Products listed on this page are available as 'CE Mark' products. Please consult our sales office.**

FOR TERMINATION DETAILS SEE PAGE 280

FOR ACCESSORIES SEE PAGES 276 TO 278

Data subject to change without notice.





## COPPER WOUND, THREE PHASE

208 Delta Primary Volts

480Y/277 Secondary Volts

60 Hz

kVA	Catalog Number	Case Style (Pages 264 - 272)	Approx. Dimensions (Inches)			Approx. Weight (Lbs.)	Mtg Type W - Wall F - Floor	Wiring Diagram (Pages 281 - 296)
			Width	Depth	Height			
15	NMK015BKC	NH5	19.40	20.20	21.50	200	F or W *	SCD 40
30	NMK030BKC	NH6	23.90	25.00	28.75	300	F or W *	SCD 26
45	NMK045BKC	NH6	23.90	25.00	28.75	400	F or W *	SCD 26
75	NMK075BKC	NH3	26.00	25.00	38.00	600	F or W *	SCD 26
112.5	NMK112BKC	NH3	26.00	25.00	38.00	850	F	SCD 26
150	NMK150BKC	NH4	32.00	29.50	41.00	975	F	SCD 26
225	NMK225BKC	NH4	32.00	29.50	41.00	1500	F	SCD 26
300	NMK300BKC	NJ1	39.50	34.00	51.50	1850	F	SCD 26
500	NMK500BKC	NJ2	48.50	38.40	59.00	2800	F	SCD 23
750	NMK750BKC	NJ3	51.50	43.40	66.00	3550	F	SCD 23

For shielded units, please replace the suffix "C" with "K" on the above part numbers.

\*WALL MOUNTING KIT AND/OR DRIP PLATE KIT REQUIRED. REFER TO PAGES 276 TO 277 FOR DETAILS.

240 Delta Primary Volts

208Y/120 Secondary Volts

60 Hz

kVA	Catalog Number	Case Style (Pages 264 - 272)	Approx. Dimensions (Inches)			Approx. Weight (Lbs.)	Mtg Type W - Wall F - Floor	Wiring Diagram (Pages 281 - 296)
			Width	Depth	Height			
15	NMK015DBC	NH5	19.40	20.20	21.50	200	F or W *	SCD 40
30	NMK030DBC	NH6	23.90	25.00	28.75	300	F or W *	SCD 9
45	NMK045DBC	NH6	23.90	25.00	28.75	400	F or W *	SCD 9
75	NMK075DBC	NH3	26.00	25.00	38.00	600	F or W *	SCD 9
112.5	NMK112DBC	NH3	26.00	25.00	38.00	850	F	SCD 9
150	NMK150DBC	NH4	32.00	29.50	41.00	975	F	SCD 9
225	NMK225DBC	NH4	32.00	29.50	41.00	1500	F	SCD 9
300	NMK300DBC	NJ1	39.50	34.00	51.50	1850	F	SCD 9
500	NMK500DBC	NJ2	48.50	38.40	59.00	2800	F	NO TAPS
750	NMK750DBC	NJ3	51.50	43.40	66.00	3550	F	NO TAPS

For shielded units, please replace the suffix "C" with "K" on the above part numbers.

\*WALL MOUNTING KIT AND/OR DRIP PLATE KIT REQUIRED. REFER TO PAGES 276 TO 277 FOR DETAILS.

240 Delta Primary Volts

480Y/277 Secondary Volts

60 Hz

kVA	Catalog Number	Case Style (Pages 264 - 272)	Approx. Dimensions (Inches)			Approx. Weight (Lbs.)	Mtg Type W - Wall F - Floor	Wiring Diagram (Pages 281 - 296)
			Width	Depth	Height			
15	NMK015DKC	NH5	19.40	20.20	21.50	200	F or W *	SCD 40
30	NMK030DKC	NH6	23.90	25.00	28.75	300	F or W *	SCD 26
45	NMK045DKC	NH6	23.90	25.00	28.75	400	F or W *	SCD 26
75	NMK075DKC	NH3	26.00	25.00	38.00	600	F or W *	SCD 26
112.5	NMK112DKC	NH3	26.00	25.00	38.00	850	F	SCD 26
150	NMK150DKC	NH4	32.00	29.50	41.00	975	F	SCD 26
225	NMK225DKC	NH4	32.00	29.50	41.00	1500	F	SCD 26
300	NMK300DKC	NJ1	39.50	34.00	51.50	1850	F	SCD 26
500	NMK500DKC	NJ2	48.50	38.40	59.00	2800	F	NO TAPS
750	NMK750DKC	NJ3	51.50	43.40	66.00	3550	F	NO TAPS

For shielded units, please replace the suffix "C" with "K" on the above part numbers.

\*WALL MOUNTING KIT AND/OR DRIP PLATE KIT REQUIRED. REFER TO PAGES 276 TO 277 FOR DETAILS.

**Note: For units smaller than 15kVA, please refer to the three phase encapsulated units in Section 8. Products listed on this page are available as 'CE Mark' products. Please consult our sales office.**



FOR TERMINATION DETAILS SEE PAGE 280

FOR ACCESSORIES SEE PAGES 276 TO 278



## COPPER WOUND, THREE PHASE



480 Delta Primary Volts

208Y/120 Secondary Volts

60 Hz

kVA	Catalog Number	Case Style (Pages 264 - 272)	Approx. Dimensions (Inches)			Approx. Weight (Lbs.)	Mtg Type W - Wall F - Floor	Wiring Diagram (Pages 281 - 296)
			Width	Depth	Height			
15	NMK015KBCN	NH5	19.40	20.20	21.50	200	F or W *	SCD 7
30	NMK030KBCN	NH6	23.90	25.00	28.75	300	F or W *	SCD 19
45	NMK045KBC	NH6	23.90	25.00	28.75	400	F or W *	SCD 19
75	NMK075KBC	NH3	26.00	25.00	38.00	600	F or W *	SCD 19
112.5	NMK112KBC	NH3	26.00	25.00	38.00	850	F	SCD 19
150	NMK150KBC	NH4	32.00	29.50	41.00	975	F	SCD 19
225	NMK225KBC	NH4	32.00	29.50	41.00	1500	F	SCD 19
300	NMK300KBC	NJ1	39.50	34.00	51.50	1850	F	SCD 19
500	NMK500KBC	NJ2	48.50	38.40	59.00	2500	F	SCD 19
750	NMK750KBC	NJ3	51.50	43.40	66.00	3300	F	SCD 19

For shielded units, please replace the suffix "C" with "K" on the above part numbers.

\*WALL MOUNTING KIT AND/OR DRIP PLATE KIT REQUIRED. REFER TO PAGES 276 TO 277 FOR DETAILS.

480 Delta Primary Volts

240 Delta/120 CT Secondary Volts

60 Hz

kVA	Catalog Number	Case Style (Pages 264 - 272)	Approx. Dimensions (Inches)			Approx. Weight (Lbs.)	Mtg Type W - Wall F - Floor	Wiring Diagram (Pages 281 - 296)
			Width	Depth	Height			
15	NMK015KDCN	NH5	19.40	20.20	21.50	200	F or W *	SCD 13
30	NMK030KDCN	NH6	23.90	25.00	28.75	300	F or W *	SCD 21
45	NMK045KDC	NH6	23.90	25.00	28.75	400	F or W *	SCD 21
75	NMK075KDC	NH3	26.00	25.00	38.00	600	F or W *	SCD 21
112.5	NMK112KDC	NH3	26.00	25.00	38.00	850	F	SCD 21
150	NMK150KDC	NH4	32.00	29.50	41.00	975	F	SCD 21
225	NMK225KDC	NH4	32.00	29.50	41.00	1500	F	SCD 21
300	NMK300KDC	NJ1	39.50	34.00	51.50	1850	F	SCD 21
500	NMK500KDC	NJ2	48.50	38.40	59.00	2800	F	SCD 22
750	NMK750KDC	NJ3	51.50	43.40	66.00	3550	F	SCD 22

For shielded units, please replace the suffix "C" with "K" on the above part numbers.

\*WALL MOUNTING KIT AND/OR DRIP PLATE KIT REQUIRED. REFER TO PAGES 276 TO 277 FOR DETAILS.

480 Delta Primary Volts

480Y/277 Secondary Volts

60 Hz

kVA	Catalog Number	Case Style (Pages 264 - 272)	Approx. Dimensions (Inches)			Approx. Weight (Lbs.)	Mtg Type W - Wall F - Floor	Wiring Diagram (Pages 281 - 296)
			Width	Depth	Height			
15	NMK015KKCN	NH5	19.40	20.20	21.50	200	F or W *	SCD 25
30	NMK030KKCN	NH6	23.90	25.00	28.75	300	F or W *	SCD 19
45	NMK045KKC	NH6	23.90	25.00	28.75	400	F or W *	SCD 19
75	NMK075KKC	NH3	26.00	25.00	38.00	600	F or W *	SCD 19
112.5	NMK112KKC	NH3	26.00	25.00	38.00	850	F	SCD 19
150	NMK150KKC	NH4	32.00	29.50	41.00	975	F	SCD 19
225	NMK225KKC	NH4	32.00	29.50	41.00	1500	F	SCD 19
300	NMK300KKC	NJ1	39.50	34.00	51.50	1850	F	SCD 19
500	NMK500KKC	NJ2	48.50	38.40	59.00	2800	F	SCD 20
750	NMK750KKC	NJ3	51.50	43.40	66.00	3550	F	SCD 20

For shielded units, please replace the suffix "C" with "K" on the above part numbers.

\*WALL MOUNTING KIT AND/OR DRIP PLATE KIT REQUIRED. REFER TO PAGES 276 TO 277 FOR DETAILS.

**Note: For units smaller than 15kVA, please refer to the three phase encapsulated units in Section 8. Products listed on this page are available as 'CE Mark' products. Please consult our sales office.**

FOR TERMINATION DETAILS SEE PAGE 280

FOR ACCESSORIES SEE PAGES 276 TO 278

Data subject to change without notice.



SECTION 7



## COPPER WOUND, THREE PHASE

600 Delta Primary Volts

208Y/120 Secondary Volts

60 Hz

kVA	Catalog Number	Case Style (Pages 264 - 272)	Approx. Dimensions (Inches)			Approx. Weight (Lbs.)	Mtg Type W - Wall F - Floor	Wiring Diagram (Pages 281 - 296)
			Width	Depth	Height			
15	NMK015PBCN	NH5	19.40	20.20	21.50	200	F or W *	SCD 9
30	NMK030PBCN	NH6	23.90	25.00	28.75	300	F or W *	SCD 9
45	NMK045PBC	NH6	23.90	25.00	28.75	400	F or W *	SCD 9
75	NMK075PBC	NH3	26.00	25.00	38.00	600	F or W *	SCD 9
112.5	NMK112PBC	NH3	26.00	25.00	38.00	850	F	SCD 9
150	NMK150PBC	NH4	32.00	29.50	41.00	975	F	SCD 9
225	NMK225PBC	NH4	32.00	29.50	41.00	1500	F	SCD 9
300	NMK300PBC	NJ1	39.50	34.00	51.50	1850	F	SCD 9
500	NMK500PBC	NJ2	48.50	38.40	59.00	2500	F	SCD 10
750	NMK750PBC	NJ3	51.50	43.40	66.00	3550	F	SCD 10

For shielded units, please replace the suffix "C" with "K" on the above part numbers.

\*WALL MOUNTING KIT AND/OR DRIP PLATE KIT REQUIRED.  
REFER TO PAGES 276 TO 277 FOR DETAILS.

600Y Primary Volts

240 Delta Secondary Volts

60 Hz

kVA	Catalog Number	Case Style (Pages 264 - 272)	Approx. Dimensions (Inches)			Approx. Weight (Lbs.)	Mtg Type W - Wall F - Floor	Wiring Diagram (Pages 281 - 296)
			Width	Depth	Height			
15	NMK015PDCN	NH5	19.40	20.20	21.50	200	F or W *	SCD 16
30	NMK030PDC	NH6	23.90	25.00	28.75	300	F or W *	SCD 16
45	NMK045PDC	NH6	23.90	25.00	28.75	400	F or W *	SCD 16
75	NMK075PDC	NH3	26.00	25.00	38.00	600	F or W *	SCD 16
112.5	NMK112PDC	NH3	26.00	25.00	38.00	850	F	SCD 16
150	NMK150PDC	NH4	32.00	29.50	41.00	975	F	SCD 16
225	NMK225PDC	NH4	32.00	29.50	41.00	1500	F	SCD 16
300	NMK300PDC	NJ1	39.50	34.00	51.50	1850	F	SCD 16
500	NMK500PDC	NJ2	48.50	38.40	59.00	2800	F	SCD 29
750	NMK750PDC	NJ3	51.50	43.40	66.00	3550	F	SCD 29

For shielded units, please replace the suffix "C" with "K" on the above part numbers.

\*WALL MOUNTING KIT AND/OR DRIP PLATE KIT REQUIRED.  
REFER TO PAGES 276 TO 277 FOR DETAILS.

600 Delta Primary Volts

480Y/277 Secondary Volts

60 Hz

kVA	Catalog Number	Case Style (Pages 264 - 272)	Approx. Dimensions (Inches)			Approx. Weight (Lbs.)	Mtg Type W - Wall F - Floor	Wiring Diagram (Pages 281 - 296)
			Width	Depth	Height			
15	NMK015PKCN	NH5	19.40	20.20	21.50	200	F or W *	SCD 9
30	NMK030PKCN	NH6	23.90	25.00	28.75	300	F or W *	SCD 9
45	NMK045PKC	NH6	23.90	25.00	28.75	400	F or W *	SCD 9
75	NMK075PKC	NH3	26.00	25.00	38.00	600	F or W *	SCD 9
112.5	NMK112PKC	NH3	26.00	25.00	38.00	850	F	SCD 9
150	NMK150PKC	NH4	32.00	29.50	41.00	975	F	SCD 9
225	NMK225PKC	NH4	32.00	29.50	41.00	1500	F	SCD 9
300	NMK300PKC	NJ1	39.50	34.00	51.50	1850	F	SCD 9
500	NMK500PKC	NJ2	48.50	38.40	59.00	2800	F	SCD 10
750	NMK750PKC	NJ3	51.50	43.40	66.00	3550	F	SCD 10

For shielded units, please replace the suffix "C" with "K" on the above part numbers.

\*WALL MOUNTING KIT AND/OR DRIP PLATE KIT REQUIRED.  
REFER TO PAGES 276 TO 277 FOR DETAILS.

**Note: For units smaller than 15kVA, please refer to the three phase encapsulated units in Section 8.**  
Products listed on this page are available as 'CE Mark' products. Please consult our sales office.



FOR TERMINATION DETAILS SEE PAGE 280

FOR ACCESSORIES SEE PAGES 276 TO 278







# HPS SuperSentinel®

## 600 VOLT CLASS ENERGY EFFICIENT GENERAL PURPOSE DISTRIBUTION TRANSFORMERS

### General Purpose Distribution Transformer Efficiencies:

Energy efficient general purpose transformers are designed for linear loads and are most frequently used for applications such as commercial buildings which will supply and variety of general loads.

**HPS SUPERSENTINEL (PART NUMBER PREFIX SMK OR SMF)**

- Exceeds DOE 10 CFR Part 431 and (if applicable) C802.2 efficiencies at 35% of rated load.
- Efficiency performance will meet NEMA Premium® guidelines; 30% lower losses than DOE 10 CFR Part 431 and (if applicable) CSA C802.2 efficiency standards; when measured under a linear load profile.
- Copper and aluminum available.



## HPS SuperSentinel® 600 VOLT CLASS SUPER ENERGY EFFICIENT GENERAL PURPOSE DISTRIBUTION TRANSFORMER



ALUMINUM & COPPER, SINGLE PHASE STANDARD SPECIFICATIONS



15 to 37.5 kVA



50 to 167 kVA



	15 to 37.5 kVA	50 to 167 kVA
<b>Efficiency</b>	Exceeds DOE 10 CFR Part 431 and C802.2 efficiencies at 35% of the rated load. Efficiency performance will meet the <b>NEMA Premium®</b> guidelines; <b>30% lower losses</b> than DOE 10 CFR Part 431 and (if applicable) C802.2 efficiency standards; when measured under a linear load profile.	
<b>UL Listed</b>	File: E112313	File: E112313
<b>CSA Certified</b>	File: LR3902	File: LR3902
<b>Frequency</b>	60 Hz	60 Hz
<b>Insulation System</b>	220°C (150°C rise) (optional 115°C and 80°C rise available)	220°C (150°C rise) (optional 115°C and 80°C rise available)
<b>Enclosure Type</b>	Heavy duty ventilated type 3R Optional type 4, 4X (stainless steel) and 12.	Heavy duty ventilated type 3R Optional type 4, 4X (stainless steel) and 12.
<b>Enclosure Finish</b>	ANSI 61 Grey, UL50	ANSI 61 Grey, UL50
<b>Standard Primary Taps</b>	Refer to wiring diagrams for details.	Refer to wiring diagrams for details.
<b>Termination</b>	Front accessible separate high and low voltage terminals; connectors suitable for aluminum and copper are provided for easy cable installation.	Front accessible separate high and low voltage terminals; connectors suitable for aluminum and copper are provided for easy cable installation.
<b>Conduit Knock-Outs</b>	Standard on all units (no knock-outs on Stainless Steel enclosures).	Standard on 50 kVA, 75 kVA & 100 kVA units (no knock-outs on Stainless Steel enclosures).
<b>Impedance</b>	Typically 2.5% to 6.5%	Typically 2.5% to 6.5%
<b>Mounting</b>	Floor or wall/ceiling mounting available. Refer to selection tables for details.	Floor or wall/ceiling mounting available. Refer to selection tables for details.
<b>Sound level</b>	Meets NEMA ST-20 standards. (Optional low noise units available)	Meets NEMA ST-20 standards. (Optional low noise units available)

Other voltages and kVA sizes not listed in this section are available upon request for both aluminum and copper wound units. Features as listed above may differ. Please contact customer service for details, price and availability.



## ALUMINUM WOUND, SINGLE PHASE



208 Primary Volts

120/240 Secondary Volts

60 Hz

kVA	Catalog Number	Case Style (Pages 264 - 272)	Approx. Dimensions (Inches)			Approx. Weight (Lbs.)	Mtg Type W - Wall F - Floor	Wiring Diagram (Pages 281 - 296)
			Width	Depth	Height			
15	SMF015BE	NH5	19.40	20.20	21.50	170	F or W *	SCD 32
25	SMF025BE	NH6	23.90	25.00	28.75	220	F or W *	SCD 31
37.5	SMF037BE	NH6	23.90	25.00	28.75	260	F or W *	SCD 31
50	SMF050BE	NH3	26.00	25.00	38.00	375	F or W *	SCD 2
75	SMF075BE	NH3	26.00	25.00	38.00	500	F or W *	SCD 31
100	SMF100BE	NH4	32.00	29.50	41.00	650	F	SCD 39
150	SMF150BE	NJ4	32.00	32.50	50.00	850	F	SCD 39
167	SMF167BE	NJ4	32.00	32.50	50.00	950	F	SCD 39

For shielded units, please add the suffix "S" to the above part numbers.

\*WALL MOUNTING KIT AND/OR DRIP PLATE KIT REQUIRED. REFER TO PAGES 276 TO 277 FOR DETAILS.

240 X 480 Primary Volts

120/240 Secondary Volts

60 Hz

kVA	Catalog Number	Case Style (Pages 264 - 272)	Approx. Dimensions (Inches)			Approx. Weight (Lbs.)	Mtg Type W - Wall F - Floor	Wiring Diagram (Pages 281 - 296)
			Width	Depth	Height			
15	SMF015LE	NH5	19.40	20.20	21.50	170	F or W *	SCD 34
25	SMF025LE	NH6	23.90	25.00	28.75	220	F or W *	SCD 17
37.5	SMF037LE	NH6	23.90	25.00	28.75	260	F or W *	SCD 17
50	SMF050LE	NH3	26.00	25.00	38.00	370	F or W *	SCD 17
75	SMF075LE	NH3	26.00	25.00	38.00	500	F or W *	SCD 17
100	SMF100LE	NH4	32.00	29.50	41.00	650	F	SCD 17
150	SMF150LE	NJ4	32.00	32.50	50.00	850	F	SCD 17
167	SMF167LE	NJ4	32.00	32.50	50.00	900	F	SCD 17

For shielded units, please add the suffix "S" to the above part numbers.

\*WALL MOUNTING KIT AND/OR DRIP PLATE KIT REQUIRED. REFER TO PAGES 276 TO 277 FOR DETAILS.

277 Primary Volts

120/240 Secondary Volts

60 Hz

kVA	Catalog Number	Case Style (Pages 264 - 272)	Approx. Dimensions (Inches)			Approx. Weight (Lbs.)	Mtg Type W - Wall F - Floor	Wiring Diagram (Pages 281 - 296)
			Width	Depth	Height			
15	SMF015FE	NH5	19.40	20.20	21.50	170	F or W *	SCD 32
25	SMF025FE	NH6	23.90	25.00	28.75	260	F or W *	SCD 31
37.5	SMF037FE	NH6	23.90	25.00	28.75	400	F or W *	SCD 31
50	SMF050FE	NH3	26.00	25.00	38.00	450	F or W *	SCD 31
75	SMF075FE	NH3	26.00	25.00	38.00	650	F or W *	SCD 31
100	SMF100FE	NH4	32.00	29.50	41.00	700	F	SCD 39
150	SMF150FE	NJ4	32.00	32.50	50.00	830	F	SCD 39
167	SMF167FE	NJ4	32.00	32.50	50.00	880	F	SCD 39

For shielded units, please add the suffix "S" to the above part numbers.

\*WALL MOUNTING KIT AND/OR DRIP PLATE KIT REQUIRED. REFER TO PAGES 276 TO 277 FOR DETAILS.

416 Primary Volts

120/240 Secondary Volts

60 Hz

kVA	Catalog Number	Case Style (Pages 264 - 272)	Approx. Dimensions (Inches)			Approx. Weight (Lbs.)	Mtg Type W - Wall F - Floor	Wiring Diagram (Pages 281 - 296)
			Width	Depth	Height			
15	SMF015HE	NH5	19.40	20.20	21.50	220	F or W *	SCD 32
25	SMF025HE	NH6	23.90	25.00	28.75	220	F or W *	SCD 31
37.5	SMF037HE	NH6	23.90	25.00	28.75	260	F or W *	SCD 31
50	SMF050HE	NH3	26.00	25.00	38.00	400	F or W *	SCD 31
75	SMF075HE	NH3	26.00	25.00	38.00	480	F or W *	SCD 31
100	SMF100HE	NH4	32.00	29.50	41.00	650	F	SCD 39
150	SMF150HE	NJ4	32.00	32.50	50.00	850	F	SCD 39
167	SMF167HE	NJ4	32.00	32.50	50.00	900	F	SCD 39

For shielded units, please add the suffix "S" to the above part numbers.

\*WALL MOUNTING KIT AND/OR DRIP PLATE KIT REQUIRED. REFER TO PAGES 276 TO 277 FOR DETAILS.

Products listed on this page are available as 'CE Mark' products. Please consult our sales office.

FOR TERMINATION DETAILS SEE PAGE 280

FOR ACCESSORIES SEE PAGES 276 TO 278



## ALUMINUM WOUND, SINGLE PHASE



600 Primary Volts

120/240 Secondary Volts

60 Hz

kVA	Catalog Number	Case Style (Pages 264 - 272)	Approx. Dimensions (Inches)			Approx. Weight (Lbs.)	Mtg Type W - Wall F - Floor	Wiring Diagram (Pages 281 - 296)
			Width	Depth	Height			
15	SMF015PE	NH5	19.40	20.20	21.50	220	F or W *	SCD 32
25	SMF025PE	NH6	23.90	25.00	28.75	220	F or W *	SCD 31
37.5	SMF037PE	NH6	23.90	25.00	28.75	260	F or W *	SCD 31
50	SMF050PE	NH3	26.00	25.00	38.00	400	F or W *	SCD 31
75	SMF075PE	NH3	26.00	25.00	38.00	480	F or W *	SCD 31
100	SMF100PE	NH4	32.00	29.50	41.00	650	F	SCD 39
150	SMF150PE	NJ4	32.00	32.50	50.00	850	F	SCD 39
167	SMF167PE	NJ4	32.00	32.50	50.00	900	F	SCD 39

For shielded units, please add the suffix "S" to the above part numbers.

\*WALL MOUNTING KIT AND/OR DRIP PLATE KIT REQUIRED.  
REFER TO PAGES 276 TO 277 FOR DETAILS.

## SINGLE PHASE, EXPORT MODEL

190/200/208/220 X 380/400/416/440 Primary Volts 120/240 Secondary Volts

50/60 Hz\*\*

kVA	Catalog Number	Case Style (Pages 264 - 272)	Approx. Dimensions (Inches)			Approx. Weight (Lbs.)	Mtg Type W - Wall F - Floor	Wiring Diagram (Pages 281 - 296)
			Width	Depth	Height			
15	SMF015XE	NH6	23.90	25.00	28.75	190	F or W *	SCD 30
25	SMF025XE	NH6	23.90	25.00	28.75	240	F or W *	SCD 30
37.5	SMF037XE	NH6	23.90	25.00	28.75	300	F or W *	SCD 30
50	SMF050XE	NH3	26.00	25.00	38.00	390	F or W *	SCD 30
75	SMF075XE	NH3	26.00	25.00	38.00	540	F or W *	SCD 30
100	SMF100XE	NH4	32.00	29.50	41.00	700	F	SCD 30
150	SMF150XE	<b>CONSULT FACTORY</b>					F	SCD 30
167	SMF167XE	<b>CONSULT FACTORY</b>					F	SCD 30

For shielded units, please add the suffix "S" to the above part numbers.

\*\*Note: Meets DOE 10 CFR Part 431 and C802.2 at 60 Hz.

\*WALL MOUNTING KIT AND/OR DRIP PLATE KIT REQUIRED.  
REFER TO PAGES 276 TO 277 FOR DETAILS.

## COPPER WOUND, SINGLE PHASE

208 Primary Volts

120/240 Secondary Volts

60 Hz

kVA	Catalog Number	Case Style (Pages 264 - 272)	Approx. Dimensions (Inches)			Approx. Weight (Lbs.)	Mtg Type W - Wall F - Floor	Wiring Diagram (Pages 281 - 296)
			Width	Depth	Height			
15	SMF015BEC	NH5	19.40	20.20	21.50	180	F or W *	SCD 32
25	SMF025BEC	NH6	23.90	25.00	28.75	240	F or W *	SCD 31
37.5	SMF037BEC	NH6	23.90	25.00	28.75	300	F or W *	SCD 31
50	SMF050BEC	NH3	26.00	25.00	38.00	375	F or W *	SCD 31
75	SMF075BEC	NH3	26.00	25.00	38.00	525	F or W *	SCD 6
100	SMF100BEC	NH4	32.00	29.50	41.00	650	F	SCD 6
150	SMF150BEC	NJ4	32.00	32.50	50.00	900	F	SCD 6
167	SMF167BEC	NJ4	32.00	32.50	50.00	1000	F	SCD 6

For shielded units, please replace the suffix "C" with a "K" on the above part numbers.

\*WALL MOUNTING KIT AND/OR DRIP PLATE KIT REQUIRED.  
REFER TO PAGES 276 TO 277 FOR DETAILS.

240 X 480 Primary Volts

120/240 Secondary Volts

60 Hz

kVA	Catalog Number	Case Style (Pages 264 - 272)	Approx. Dimensions (Inches)			Approx. Weight (Lbs.)	Mtg Type W - Wall F - Floor	Wiring Diagram (Pages 281 - 296)
			Width	Depth	Height			
15	SMF015LEC	NH5	19.40	20.20	21.50	180	F or W *	SCD 34
25	SMF025LEC	NH6	23.90	25.00	28.75	240	F or W *	SCD 17
37.5	SMF037LEC	NH6	23.90	25.00	28.75	300	F or W *	SCD 17
50	SMF050LEC	NH3	26.00	25.00	38.00	375	F or W *	SCD 17
75	SMF075LEC	NH3	26.00	25.00	38.00	525	F or W *	SCD 17
100	SMF100LEC	NH4	32.00	29.50	41.00	650	F	SCD 17
150	SMF150LEC	NJ4	32.00	32.50	50.00	900	F	SCD 17
167	SMF167LEC	NJ4	32.00	32.50	50.00	1000	F	SCD 17

For shielded units, please replace the suffix "C" with a "K" on the above part numbers.

\*WALL MOUNTING KIT AND/OR DRIP PLATE KIT REQUIRED.  
REFER TO PAGES 276 TO 277 FOR DETAILS.

Products listed on this page are available as 'CE Mark' products. Please consult our sales office.

FOR TERMINATION DETAILS SEE PAGE 280

FOR ACCESSORIES SEE PAGES 276 TO 278



## COPPER WOUND, SINGLE PHASE



277 Primary Volts

120/240 Secondary Volts

60 Hz

kVA	Catalog Number	Case Style (Pages 264 - 272)	Approx. Dimensions (Inches)			Approx. Weight (Lbs.)	Mtg Type W - Wall F - Floor	Wiring Diagram (Pages 281 - 296)
			Width	Depth	Height			
15	SMF015FEC	NH5	19.40	20.20	21.50	180	F or W *	SCD 32
25	SMF025FEC	NH6	23.90	25.00	28.75	240	F or W *	SCD 31
37.5	SMF037FEC	NH6	23.90	25.00	28.75	300	F or W *	SCD 31
50	SMF050FEC	NH3	26.00	25.00	38.00	375	F or W *	SCD 31
75	SMF075FEC	NH3	26.00	25.00	38.00	525	F or W *	SCD 6
100	SMF100FEC	NH4	32.00	29.50	41.00	650	F	SCD 6
150	SMF150FEC	NJ4	32.00	32.50	50.00	900	F	SCD 6
167	SMF167FEC	NJ4	32.00	32.50	50.00	1000	F	SCD 6

For shielded units, please replace the suffix "C" with a "K" on the above part numbers.

\*WALL MOUNTING KIT AND/OR DRIP PLATE KIT REQUIRED. REFER TO PAGES 276 TO 277 FOR DETAILS.

416 Primary Volts

120/240 Secondary Volts

60 Hz

kVA	Catalog Number	Case Style (Pages 264 - 272)	Approx. Dimensions (Inches)			Approx. Weight (Lbs.)	Mtg Type W - Wall F - Floor	Wiring Diagram (Pages 281 - 296)
			Width	Depth	Height			
15	SMF015HEC	NH5	19.40	20.20	21.50	180	F or W *	SCD 32
25	SMF025HEC	NH6	23.90	25.00	28.75	240	F or W *	SCD 31
37.5	SMF037HEC	NH6	23.90	25.00	28.75	300	F or W *	SCD 31
50	SMF050HEC	NH3	26.00	25.00	38.00	375	F or W *	SCD 31
75	SMF075HEC	NH3	26.00	25.00	38.00	525	F or W *	SCD 6
100	SMF100HEC	NH4	32.00	29.50	41.00	650	F	SCD 6
150	SMF150HEC	NJ4	32.00	32.50	50.00	900	F	SCD 6
167	SMF167HEC	NJ4	32.00	32.50	50.00	1000	F	SCD 6

For shielded units, please replace the suffix "C" with a "K" on the above part numbers.

\*WALL MOUNTING KIT AND/OR DRIP PLATE KIT REQUIRED. REFER TO PAGES 276 TO 277 FOR DETAILS.

600 Primary Volts

120/240 Secondary Volts

60 Hz

kVA	Catalog Number	Case Style (Pages 264 - 272)	Approx. Dimensions (Inches)			Approx. Weight (Lbs.)	Mtg Type W - Wall F - Floor	Wiring Diagram (Pages 281 - 296)
			Width	Depth	Height			
15	SMF015PEC	NH5	19.40	20.20	21.50	180	F or W *	SCD 32
25	SMF025PEC	NH6	23.90	25.00	28.75	240	F or W *	SCD 31
37.5	SMF037PEC	NH6	23.90	25.00	28.75	300	F or W *	SCD 31
50	SMF050PEC	NH3	26.00	25.00	38.00	375	F or W *	SCD 31
75	SMF075PEC	NH3	26.00	25.00	38.00	525	F or W *	SCD 6
100	SMF100PEC	NH4	32.00	29.50	41.00	650	F	SCD 6
150	SMF150PEC	NJ4	32.00	32.50	50.00	900	F	SCD 6
167	SMF167PEC	NJ4	32.00	32.50	50.00	1000	F	SCD 6

For shielded units, please replace the suffix "C" with a "K" on the above part numbers.

\*WALL MOUNTING KIT AND/OR DRIP PLATE KIT REQUIRED. REFER TO PAGES 276 TO 277 FOR DETAILS.

## SINGLE PHASE, EXPORT MODEL

190/200/208/220 X 380/400/416/440 Primary Volts 120/240 Secondary Volts

50/60 Hz\*\*

kVA	Catalog Number	Case Style (Pages 264 - 272)	Approx. Dimensions (Inches)			Approx. Weight (Lbs.)	Mtg Type W - Wall F - Floor	Wiring Diagram (Pages 281 - 296)	
			Width	Depth	Height				
15	SMF015XEC	NH6	23.90	25.00	28.75	190	F or W *	SCD 30	
25	SMF025XEC	NH6	23.90	25.00	28.75	240	F or W *	SCD 30	
37.5	SMF037XEC	NH6	23.90	25.00	28.75	300	F or W *	SCD 30	
50	SMF050XEC	NH3	26.00	25.00	38.00	390	F or W *	SCD 30	
75	SMF075XEC	NH3	26.00	25.00	38.00	540	F or W *	SCD 30	
100	SMF100XEC	NH4	32.00	29.50	41.00	700	F	SCD 30	
150	SMF150XEC	<b>CONSULT FACTORY</b>						F	SCD 30
167	SMF167XEC	<b>CONSULT FACTORY</b>						F	SCD 30

For shielded units, please add the suffix "S" to the above part numbers.

\*\*Note: Meets DOE 10 CFR Part 431 and C802.2 at 60 Hz.

\*WALL MOUNTING KIT AND/OR DRIP PLATE KIT REQUIRED. REFER TO PAGES 276 TO 277 FOR DETAILS.

Products listed on this page are available as 'CE Mark' products. Please consult our sales office.

FOR TERMINATION DETAILS SEE PAGE 280

FOR ACCESSORIES SEE PAGES 276 TO 278



## HPS SuperSentinel® 600 VOLT CLASS SUPER ENERGY EFFICIENT GENERAL PURPOSE DISTRIBUTION TRANSFORMER



ALUMINUM & COPPER, THREE PHASE STANDARD SPECIFICATIONS

15 to 45 kVA

75 to 750 kVA



	15 to 45 kVA	75 to 750 kVA
<b>Efficiency</b>	Exceeds DOE 10 CFR Part 431 and C802.2 efficiencies at 35% of the rated load. Efficiency performance will meet the <b>NEMA Premium®</b> guidelines; <b>30% lower losses</b> than DOE 10 CFR Part 431 and (if applicable) C802.2 efficiency standards; when measured under a linear load profile.	
<b>UL Listed</b>	File: E112313	File: E112313
<b>CSA Certified</b>	File: LR3902	File: LR3902
<b>Frequency</b>	60 Hz	60 Hz
<b>Insulation System</b>	220°C (150°C rise) 200°C (130°C rise) on 15 & 30kVA copper (optional 115°C and 80°C rise available)	220°C (150°C rise) (optional 115°C and 80°C rise available)
<b>Enclosure Type</b>	Heavy duty ventilated type 3R Optional type 4, 4X (stainless steel) and 12.	Heavy duty ventilated type 3R Optional type 4, 4X (stainless steel) and 12.
<b>Enclosure Finish</b>	ANSI 61 Grey, UL50	ANSI 61 Grey, UL50
<b>Neutral</b>	Neutral terminal for field connection (on applicable units).	Neutral terminal for field connection (on applicable units).
<b>Standard Primary Taps</b>	Refer to wiring diagrams for details.	Refer to wiring diagrams for details.
<b>Termination</b>	Front accessible separate high and low voltage terminals; connectors suitable for aluminum and copper are provided for easy cable installation.	Front accessible separate high and low voltage terminals; connectors suitable for aluminum and copper are provided for easy cable installation.
<b>Conduit Knock-Outs</b>	Standard on all units (no knock-outs on Stainless Steel enclosures).	Standard on 75 kVA & 150 kVA units (no knock-outs on Stainless Steel enclosures).
<b>Impedance</b>	Typically 2.5% to 6.5%	Typically 2.5% to 6.5%
<b>Mounting</b>	Floor or wall/ceiling mounting available. Refer to selection tables for details.	Floor or wall/ceiling mounting available. Refer to selection tables for details.
<b>Sound level</b>	Meets NEMA ST-20 standards. (Optional low noise units available)	Meets NEMA ST-20 standards. (Optional low noise units available)

Other voltages and kVA sizes not listed in this section are available upon request for both aluminum and copper wound units. Features as listed above may differ. Please contact customer service for details, price and availability.



## ALUMINUM WOUND, THREE PHASE



208 Delta Primary Volts

208Y/120 Secondary Volts

60 Hz

kVA	Catalog Number	Case Style (Pages 264 - 272)	Approx. Dimensions (Inches)			Approx. Weight (Lbs.)	Mtg Type W - Wall F - Floor	Wiring Diagram (Pages 281 - 296)
			Width	Depth	Height			
15	<b>SMK015BB</b>	NH5	19.40	20.20	21.50	250	F or W *	SCD 7
30	<b>SMK030BB</b>	NH6	23.90	25.00	28.75	350	F or W *	SCD 9
45	<b>SMK045BB</b>	NH3	26.00	25.00	38.00	460	F or W *	SCD 9
75	<b>SMK075BB</b>	NH4	32.00	29.50	41.00	815	F	SCD 9
112.5	<b>SMK112BB</b>	NH4	32.00	29.50	41.00	960	F	SCD 9
150	<b>SMK150BB</b>	NH4	32.00	29.50	41.00	1210	F	SCD 9
225	<b>SMK225BB</b>	NJ1	39.50	34.00	51.50	1970	F	SCD 9
300	<b>SMK300BB</b>	NJ1	39.50	34.00	51.50	2590	F	SCD 9
500	<b>SMK500BB</b>	NJ2	48.50	38.40	59.00	4450	F	SCD 25
750	<b>SMK750BB</b>	NJ3	51.50	43.40	66.00	6250	F	SCD 25

For shielded units, please add the suffix "S" to the above part numbers.

\*WALL MOUNTING KIT AND/OR DRIP PLATE KIT REQUIRED. REFER TO PAGES 276 TO 277 FOR DETAILS.

208 Delta Primary Volts

480Y/277 Secondary Volts

60 Hz

kVA	Catalog Number	Case Style (Pages 264 - 272)	Approx. Dimensions (Inches)			Approx. Weight (Lbs.)	Mtg Type W - Wall F - Floor	Wiring Diagram (Pages 281 - 296)
			Width	Depth	Height			
15	<b>SMK015BK</b>	NH5	19.40	20.20	21.50	250	F or W *	SCD 40
30	<b>SMK030BK</b>	NH6	23.90	25.00	28.75	350	F or W *	SCD 26
45	<b>SMK045BK</b>	NH3	26.00	25.00	38.00	460	F or W *	SCD 26
75	<b>SMK075BK</b>	NH4	32.00	29.50	41.00	815	F	SCD 26
112.5	<b>SMK112BK</b>	NH4	32.00	29.50	41.00	960	F	SCD 26
150	<b>SMK150BK</b>	NH4	32.00	29.50	41.00	1210	F	SCD 26
225	<b>SMK225BK</b>	NJ1	39.50	34.00	51.50	1970	F	SCD 26
300	<b>SMK300BK</b>	NJ1	39.50	34.00	51.50	2590	F	SCD 26
500	<b>SMK500BK</b>	NJ2	48.50	38.40	59.00	4450	F	SCD 23
750	<b>SMK750BK</b>	NJ3	51.50	43.40	66.00	6250	F	SCD 40

For shielded units, please add the suffix "S" to the above part numbers.

\*WALL MOUNTING KIT AND/OR DRIP PLATE KIT REQUIRED. REFER TO PAGES 276 TO 277 FOR DETAILS.

240 Delta Primary Volts

208Y/120 Secondary Volts

60 Hz

kVA	Catalog Number	Case Style (Pages 264 - 272)	Approx. Dimensions (Inches)			Approx. Weight (Lbs.)	Mtg Type W - Wall F - Floor	Wiring Diagram (Pages 281 - 296)
			Width	Depth	Height			
15	<b>SMK015DB</b>	NH5	19.40	20.20	21.50	250	F or W *	SCD 25
30	<b>SMK030DB</b>	NH6	23.90	25.00	28.75	350	F or W *	SCD 9
45	<b>SMK045DB</b>	NH3	26.00	25.00	38.00	460	F or W *	SCD 9
75	<b>SMK075DB</b>	NH4	32.00	29.50	41.00	815	F	SCD 9
112.5	<b>SMK112DB</b>	NH4	32.00	29.50	41.00	960	F	SCD 9
150	<b>SMK150DB</b>	NH4	32.00	29.50	41.00	1210	F	SCD 9
225	<b>SMK225DB</b>	NJ1	39.50	34.00	51.50	1970	F	SCD 9
300	<b>SMK300DB</b>	NJ1	39.50	34.00	51.50	2590	F	SCD 9
500	<b>SMK500DB</b>	NJ2	48.50	38.40	59.00	4450	F	NO TAPS
750	<b>SMK750DB</b>	NJ3	51.50	43.40	66.00	6250	F	NO TAPS

For shielded units, please add the suffix "S" to the above part numbers.

\*WALL MOUNTING KIT AND/OR DRIP PLATE KIT REQUIRED. REFER TO PAGES 276 TO 277 FOR DETAILS.

Products listed on this page are available as 'CE Mark' products. Please consult our sales office.

FOR TERMINATION DETAILS SEE PAGE 280

FOR ACCESSORIES SEE PAGES 276 TO 278



## ALUMINUM WOUND, THREE PHASE



240 Delta Primary Volts

480Y/277 Secondary Volts

60 Hz

kVA	Catalog Number	Case Style (Pages 264 - 272)	Approx. Dimensions (Inches)			Approx. Weight (Lbs.)	Mtg Type W - Wall F - Floor	Wiring Diagram (Pages 281 - 296)
			Width	Depth	Height			
15	<b>SMK015DK</b>	NH5	19.40	20.20	21.50	250	F or W *	SCD 40
30	<b>SMK030DK</b>	NH6	23.90	25.00	28.75	350	F or W *	SCD 26
45	<b>SMK045DK</b>	NH3	26.00	25.00	38.00	460	F or W *	SCD 26
75	<b>SMK075DK</b>	NH4	32.00	29.50	41.00	815	F	SCD 26
112.5	<b>SMK112DK</b>	NH4	32.00	29.50	41.00	960	F	SCD 26
150	<b>SMK150DK</b>	NH4	32.00	29.50	41.00	1210	F	SCD 26
225	<b>SMK225DK</b>	NJ1	39.50	34.00	51.50	1970	F	SCD 26
300	<b>SMK300DK</b>	NJ1	39.50	34.00	51.50	2590	F	SCD 26
500	<b>SMK500DK</b>	NJ2	48.50	38.40	59.00	4450	F	NO TAPS
750	<b>SMK750DK</b>	NJ3	51.50	43.40	66.00	6250	F	NO TAPS

For shielded units, please add the suffix "S" to the above part numbers.

\*WALL MOUNTING KIT AND/OR DRIP PLATE KIT REQUIRED.  
REFER TO PAGES 276 TO 277 FOR DETAILS.

480 Delta Primary Volts

208Y/120 Secondary Volts

60 Hz

kVA	Catalog Number	Case Style (Pages 264 - 272)	Approx. Dimensions (Inches)			Approx. Weight (Lbs.)	Mtg Type W - Wall F - Floor	Wiring Diagram (Pages 281 - 296)
			Width	Depth	Height			
15	<b>SMK015KB</b>	NH5	19.40	20.20	21.50	250	F or W *	SCD 7
30	<b>SMK030KB</b>	NH6	23.90	25.00	28.75	350	F or W *	SCD 19
45	<b>SMK045KB</b>	NH3	26.00	25.00	38.00	460	F or W *	SCD 19
75	<b>SMK075KB</b>	NH4	32.00	29.50	41.00	815	F	SCD 19
112.5	<b>SMK112KB</b>	NH4	32.00	29.50	41.00	960	F	SCD 19
150	<b>SMK150KB</b>	NH4	32.00	29.50	41.00	1210	F	SCD 19
225	<b>SMK225KB</b>	NJ1	39.50	34.00	51.50	1898	F	SCD 19
300	<b>SMK300KB</b>	NJ2	48.50	38.40	59.00	2641	F	SCD 19
500	<b>SMK500KB</b>	NJ3	51.50	43.40	66.00	3877	F	SCD 20
750	<b>SMK750KB</b>	NJ3	51.50	43.40	66.00	6250	F	SCD 20

For shielded units, please add the suffix "S" to the above part numbers.

\*WALL MOUNTING KIT AND/OR DRIP PLATE KIT REQUIRED.  
REFER TO PAGES 276 TO 277 FOR DETAILS.

480 Delta Primary Volts

240 Delta/120 CT Secondary Volts

60 Hz

kVA	Catalog Number	Case Style (Pages 264 - 272)	Approx. Dimensions (Inches)			Approx. Weight (Lbs.)	Mtg Type W - Wall F - Floor	Wiring Diagram (Pages 281 - 296)
			Width	Depth	Height			
15	<b>SMK015KD</b>	NH5	19.40	20.20	21.50	250	F or W *	SCD 13
30	<b>SMK030KD</b>	NH6	23.90	25.00	28.75	350	F or W *	SCD 21
45	<b>SMK045KD</b>	NH3	26.00	25.00	38.00	460	F or W *	SCD 21
75	<b>SMK075KD</b>	NH4	32.00	29.50	41.00	815	F	SCD 21
112.5	<b>SMK112KD</b>	NH4	32.00	29.50	41.00	960	F	SCD 21
150	<b>SMK150KD</b>	NH4	32.00	29.50	41.00	1210	F	SCD 21
225	<b>SMK225KD</b>	NJ1	39.50	34.00	51.50	1970	F	SCD 21
300	<b>SMK300KD</b>	NJ1	39.50	34.00	51.50	2590	F	SCD 21
500	<b>SMK500KD</b>	NJ2	48.50	38.40	59.00	4450	F	SCD 22
750	<b>SMK750KD</b>	NJ3	51.50	43.40	66.00	6250	F	SCD 22

For shielded units, please add the suffix "S" to the above part numbers.

\*WALL MOUNTING KIT AND/OR DRIP PLATE KIT REQUIRED.  
REFER TO PAGES 276 TO 277 FOR DETAILS.

Products listed on this page are available as 'CE Mark' products. Please consult our sales office.

FOR TERMINATION DETAILS SEE PAGE 280

FOR ACCESSORIES SEE PAGES 276 TO 278

Data subject to change without notice.





## ALUMINUM WOUND, THREE PHASE



480 Delta Primary Volts

480Y/277 Secondary Volts

60 Hz

kVA	Catalog Number	Case Style (Pages 264 - 272)	Approx. Dimensions (Inches)			Approx. Weight (Lbs.)	Mtg Type W - Wall F - Floor	Wiring Diagram (Pages 281 - 296)
			Width	Depth	Height			
15	<b>SMK015KK</b>	NH5	19.40	20.20	21.50	250	F or W *	SCD 25
30	<b>SMK030KK</b>	NH6	23.90	25.00	28.75	350	F or W *	SCD 19
45	<b>SMK045KK</b>	NH3	26.00	25.00	38.00	460	F or W *	SCD 19
75	<b>SMK075KK</b>	NH4	32.00	29.50	41.00	815	F	SCD 19
112.5	<b>SMK112KK</b>	NH4	32.00	29.50	41.00	960	F	SCD 19
150	<b>SMK150KK</b>	NH4	32.00	29.50	41.00	1210	F	SCD 19
225	<b>SMK225KK</b>	NJ1	39.50	34.00	51.50	1970	F	SCD 19
300	<b>SMK300KK</b>	NJ1	39.50	34.00	51.50	2590	F	SCD 19
500	<b>SMK500KK</b>	NJ2	48.50	38.40	59.00	4450	F	SCD 20
750	<b>SMK750KK</b>	NJ3	51.50	43.40	66.00	6250	F	SCD 20

For shielded units, please add the suffix "S" to the above part numbers.

\*WALL MOUNTING KIT AND/OR DRIP PLATE KIT REQUIRED. REFER TO PAGES 276 TO 277 FOR DETAILS.

600 Delta Primary Volts

208Y/120 Secondary Volts

60 Hz

kVA	Catalog Number	Case Style (Pages 264 - 272)	Approx. Dimensions (Inches)			Approx. Weight (Lbs.)	Mtg Type W - Wall F - Floor	Wiring Diagram (Pages 281 - 296)
			Width	Depth	Height			
15	<b>SMK015PB</b>	NH5	19.40	20.20	21.50	250	F or W *	SCD 9
30	<b>SMK030PB</b>	NH6	23.90	25.00	28.75	350	F or W *	SCD 9
45	<b>SMK045PB</b>	NH3	26.00	25.00	38.00	460	F or W *	SCD 9
75	<b>SMK075PB</b>	NH4	32.00	29.50	41.00	815	F	SCD 9
112.5	<b>SMK112PB</b>	NH4	32.00	29.50	41.00	960	F	SCD 9
150	<b>SMK150PB</b>	NH4	32.00	29.50	41.00	1210	F	SCD 9
225	<b>SMK225PB</b>	NJ1	39.50	34.00	51.50	1970	F	SCD 9
300	<b>SMK300PB</b>	NJ1	39.50	34.00	51.50	2590	F	SCD 9
500	<b>SMK500PB</b>	NJ2	48.50	38.40	59.00	4450	F	SCD 10
750	<b>SMK750PB</b>	NJ3	51.50	43.40	66.00	6250	F	SCD 10

For shielded units, please add the suffix "S" to the above part numbers.

\*WALL MOUNTING KIT AND/OR DRIP PLATE KIT REQUIRED. REFER TO PAGES 276 TO 277 FOR DETAILS.

600Y Primary Volts

240 Delta Secondary Volts

60 Hz

kVA	Catalog Number	Case Style (Pages 264 - 272)	Approx. Dimensions (Inches)			Approx. Weight (Lbs.)	Mtg Type W - Wall F - Floor	Wiring Diagram (Pages 281 - 296)
			Width	Depth	Height			
15	<b>SMK015PD</b>	NH5	19.40	20.20	21.50	250	F or W *	SCD 16
30	<b>SMK030PD</b>	NH6	23.90	25.00	28.75	350	F or W *	SCD 16
45	<b>SMK045PD</b>	NH3	26.00	25.00	38.00	460	F or W *	SCD 16
75	<b>SMK075PD</b>	NH4	32.00	29.50	41.00	815	F	SCD 16
112.5	<b>SMK112PD</b>	NH4	32.00	29.50	41.00	960	F	SCD 16
150	<b>SMK150PD</b>	NH4	32.00	29.50	41.00	1210	F	SCD 16
225	<b>SMK225PD</b>	NJ1	39.50	34.00	51.50	1970	F	SCD 16
300	<b>SMK300PD</b>	NJ1	39.50	34.00	51.50	2590	F	SCD 16
500	<b>SMK500PD</b>	NJ2	48.50	38.40	59.00	4450	F	SCD 29
750	<b>SMK750PD</b>	NJ3	51.50	43.40	66.00	6250	F	SCD 29

For shielded units, please add the suffix "S" to the above part numbers.

\*WALL MOUNTING KIT AND/OR DRIP PLATE KIT REQUIRED. REFER TO PAGES 276 TO 277 FOR DETAILS.

Products listed on this page are available as 'CE Mark' products. Please consult our sales office.

FOR TERMINATION DETAILS SEE PAGE 280

FOR ACCESSORIES SEE PAGES 276 TO 278

Data subject to change without notice.



SECTION 7

## ALUMINUM WOUND, THREE PHASE



600 Delta Primary Volts

480Y/277 Secondary Volts

60 Hz

kVA	Catalog Number	Case Style (Pages 264 - 272)	Approx. Dimensions (Inches)			Approx. Weight (Lbs.)	Mtg Type W - Wall F - Floor	Wiring Diagram (Pages 281 - 296)
			Width	Depth	Height			
15	SMK015PK	NH5	19.40	20.20	21.50	250	F or W *	SCD 9
30	SMK030PK	NH6	23.90	25.00	28.75	350	F or W *	SCD 9
45	SMK045PK	NH3	26.00	25.00	38.00	460	F or W *	SCD 9
75	SMK075PK	NH4	32.00	29.50	41.00	815	F	SCD 9
112.5	SMK112PK	NH4	32.00	29.50	41.00	960	F	SCD 9
150	SMK150PK	NH4	32.00	29.50	41.00	1210	F	SCD 9
225	SMK225PK	NJ1	39.50	34.00	51.50	1970	F	SCD 9
300	SMK300PK	NJ1	39.50	34.00	51.50	2590	F	SCD 9
500	SMK500PK	NJ2	48.50	38.40	59.00	4450	F	SCD 10
750	SMK750PK	NJ3	51.50	43.40	66.00	6250	F	SCD 10

For shielded units, please add the suffix "S" to the above part numbers.

\*WALL MOUNTING KIT AND/OR DRIP PLATE KIT REQUIRED.  
REFER TO PAGES 276 TO 277 FOR DETAILS.

## COPPER WOUND, THREE PHASE

208 Delta Primary Volts

208Y/120 Secondary Volts

60 Hz

kVA	Catalog Number	Case Style (Pages 264 - 272)	Approx. Dimensions (Inches)			Approx. Weight (Lbs.)	Mtg Type W - Wall F - Floor	Wiring Diagram (Pages 281 - 296)
			Width	Depth	Height			
15	SMK015BBCN	NH5	19.40	20.20	21.50	250	F or W *	SCD 7
30	SMK030BBC	NH6	23.90	25.00	28.75	390	F or W *	SCD 9
45	SMK045BBC	NH6	23.90	25.00	28.75	460	F or W *	SCD 9
75	SMK075BBC	NH3	26.00	25.00	38.00	660	F or W *	SCD 9
112.5	SMK112BBC	NH4	32.00	29.50	41.00	1000	F	SCD 9
150	SMK150BBC	NH4	32.00	29.50	41.00	1250	F	SCD 9
225	SMK225BBC	NJ1	39.50	34.00	51.50	1960	F	SCD 9
300	SMK300BBC	NJ2	48.50	38.40	59.00	2470	F	SCD 9
500	SMK500BBC	NJ3	51.50	43.40	66.00	3930	F	SCD 25
750	SMK750BBC	NJ6	64.00	57.40	71.00	5750	F	SCD 25

For shielded units, please replace the suffix "C" with "K" on the above part numbers.

\*WALL MOUNTING KIT AND/OR DRIP PLATE KIT REQUIRED.  
REFER TO PAGES 276 TO 277 FOR DETAILS.

208 Delta Primary Volts

480Y/277 Secondary Volts

60 Hz

kVA	Catalog Number	Case Style (Pages 264 - 272)	Approx. Dimensions (Inches)			Approx. Weight (Lbs.)	Mtg Type W - Wall F - Floor	Wiring Diagram (Pages 281 - 296)
			Width	Depth	Height			
15	SMK015BKCN	NH5	19.40	20.20	21.50	250	F or W *	SCD 40
30	SMK030BKCN	NH6	23.90	25.00	28.75	390	F or W *	SCD 26
45	SMK045BKCN	NH6	23.90	25.00	28.75	460	F or W *	SCD 26
75	SMK075BKCN	NH3	26.00	25.00	38.00	660	F or W *	SCD 26
112.5	SMK112BKCN	NH4	32.00	29.50	41.00	1000	F	SCD 26
150	SMK150BKCN	NH4	32.00	29.50	41.00	1250	F	SCD 26
225	SMK225BKCN	NJ1	39.50	34.00	51.50	1960	F	SCD 26
300	SMK300BKCN	NJ2	48.50	38.40	59.00	2470	F	SCD 26
500	SMK500BKCN	NJ3	51.50	43.40	66.00	3930	F	SCD 23
750	SMK750BKCN	NJ6	64.00	57.40	71.00	5750	F	SCD 40

For shielded units, please replace the suffix "C" with "K" on the above part numbers.

\*WALL MOUNTING KIT AND/OR DRIP PLATE KIT REQUIRED.  
REFER TO PAGES 276 TO 277 FOR DETAILS.

Products listed on this page are available as 'CE Mark' products. Please consult our sales office.

FOR TERMINATION DETAILS SEE PAGE 280

FOR ACCESSORIES SEE PAGES 276 TO 278

Data subject to change without notice.



## COPPER WOUND, THREE PHASE



240 Delta Primary Volts

208Y/120 Secondary Volts

60 Hz

kVA	Catalog Number	Case Style (Pages 264 - 272)	Approx. Dimensions (Inches)			Approx. Weight (Lbs.)	Mtg Type W - Wall F - Floor	Wiring Diagram (Pages 281 - 296)
			Width	Depth	Height			
15	<b>SMK015DBCN</b>	NH5	19.40	20.20	21.50	250	F or W *	SCD 25
30	<b>SMK030DBC</b>	NH6	23.90	25.00	28.75	390	F or W *	SCD 9
45	<b>SMK045DBC</b>	NH6	23.90	25.00	28.75	460	F or W *	SCD 9
75	<b>SMK075DBC</b>	NH3	26.00	25.00	38.00	660	F or W *	SCD 9
112.5	<b>SMK112DBC</b>	NH4	32.00	29.50	41.00	1000	F	SCD 9
150	<b>SMK150DBC</b>	NH4	32.00	29.50	41.00	1250	F	SCD 9
225	<b>SMK225DBC</b>	NJ1	39.50	34.00	51.50	1960	F	SCD 9
300	<b>SMK300DBC</b>	NJ2	48.50	38.40	59.00	2470	F	SCD 9
500	<b>SMK500DBC</b>	NJ3	51.50	43.40	66.00	3930	F	NO TAPS
750	<b>SMK750DBC</b>	NJ6	64.00	57.40	71.00	5750	F	NO TAPS

For shielded units, please replace the suffix "C" with "K" on the above part numbers.

\*WALL MOUNTING KIT AND/OR DRIP PLATE KIT REQUIRED. REFER TO PAGES 276 TO 277 FOR DETAILS.

240 Delta Primary Volts

480Y/277 Secondary Volts

60 Hz

kVA	Catalog Number	Case Style (Pages 264 - 272)	Approx. Dimensions (Inches)			Approx. Weight (Lbs.)	Mtg Type W - Wall F - Floor	Wiring Diagram (Pages 281 - 296)
			Width	Depth	Height			
15	<b>SMK015DKCN</b>	NH5	19.40	20.20	21.50	250	F or W *	SCD 40
30	<b>SMK030DKC</b>	NH6	23.90	25.00	28.75	390	F or W *	SCD 26
45	<b>SMK045DKC</b>	NH6	23.90	25.00	28.75	460	F or W *	SCD 26
75	<b>SMK075DKC</b>	NH3	26.00	25.00	38.00	660	F or W *	SCD 26
112.5	<b>SMK112DKC</b>	NH4	32.00	29.50	41.00	1000	F	SCD 26
150	<b>SMK150DKC</b>	NH4	32.00	29.50	41.00	1250	F	SCD 26
225	<b>SMK225DKC</b>	NJ1	39.50	34.00	51.50	1960	F	SCD 26
300	<b>SMK300DKC</b>	NJ2	48.50	38.40	59.00	2470	F	SCD 26
500	<b>SMK500DKC</b>	NJ3	51.50	43.40	66.00	3930	F	NO TAPS
750	<b>SMK750DKC</b>	NJ6	64.00	57.40	71.00	5750	F	NO TAPS

For shielded units, please replace the suffix "C" with "K" on the above part numbers.

\*WALL MOUNTING KIT AND/OR DRIP PLATE KIT REQUIRED. REFER TO PAGES 276 TO 277 FOR DETAILS.

480 Delta Primary Volts

208Y/120 Secondary Volts

60 Hz

kVA	Catalog Number	Case Style (Pages 264 - 272)	Approx. Dimensions (Inches)			Approx. Weight (Lbs.)	Mtg Type W - Wall F - Floor	Wiring Diagram (Pages 281 - 296)
			Width	Depth	Height			
15	<b>SMK015KBCN</b>	NH5	19.40	20.20	21.50	252	F or W *	SCD 7
30	<b>SMK030KBCN</b>	NH6	23.90	25.00	28.75	415	F or W *	SCD 19
45	<b>SMK045KBC</b>	NH6	23.90	25.00	28.75	481	F or W *	SCD 19
75	<b>SMK075KBC</b>	NH3	26.00	25.00	38.00	695	F or W *	SCD 19
112.5	<b>SMK112KBC</b>	NH4	32.00	29.50	41.00	1035	F	SCD 19
150	<b>SMK150KBC</b>	NH4	32.00	29.50	41.00	1167	F	SCD 19
225	<b>SMK225KBC</b>	NJ1	39.50	34.00	51.50	2067	F	SCD 19
300	<b>SMK300KBC</b>	NJ1	39.50	34.00	51.50	2685	F	SCD 19
500	<b>SMK500KBC</b>	NJ3	51.50	43.40	66.00	4335	F	SCD 19
750	<b>SMK750KBC</b>	NJ6	64.00	57.40	71.00	5750	F	SCD 19

For shielded units, please replace the suffix "C" with "K" on the above part numbers.

\*WALL MOUNTING KIT AND/OR DRIP PLATE KIT REQUIRED. REFER TO PAGES 276 TO 277 FOR DETAILS.

Products listed on this page are available as 'CE Mark' products. Please consult our sales office.

FOR TERMINATION DETAILS SEE PAGE 280

FOR ACCESSORIES SEE PAGES 276 TO 278

Data subject to change without notice.



SECTION 7

# SECTION 7

# SUPER ENERGY EFFICIENT GENERAL PURPOSE DISTRIBUTION

## COPPER WOUND, THREE PHASE



480 Delta Primary Volts

240 Delta/120 CT Secondary Volts

60 Hz

kVA	Catalog Number	Case Style (Pages 264 - 272)	Approx. Dimensions (Inches)			Approx. Weight (Lbs.)	Mtg Type W - Wall F - Floor	Wiring Diagram (Pages 281 - 296)
			Width	Depth	Height			
15	SMK015KDCN	NH5	19.40	20.20	21.50	250	F or W *	SCD 13
30	SMK030KDCN	NH6	23.90	25.00	28.75	390	F or W *	SCD 21
45	SMK045KDC	NH6	23.90	25.00	28.75	460	F or W *	SCD 21
75	SMK075KDC	NH3	26.00	25.00	38.00	660	F or W *	SCD 21
112.5	SMK112KDC	NH4	32.00	29.50	41.00	1000	F	SCD 21
150	SMK150KDC	NH4	32.00	29.50	41.00	1250	F	SCD 21
225	SMK225KDC	NJ1	39.50	34.00	51.50	1960	F	SCD 21
300	SMK300KDC	NJ2	48.50	38.40	59.00	2470	F	SCD 21
500	SMK500KDC	NJ3	51.50	43.40	66.00	3930	F	SCD 22
750	SMK750KDC	NJ6	64.00	57.40	71.00	5750	F	SCD 22

For shielded units, please replace the suffix "C" with "K" on the above part numbers.

\*WALL MOUNTING KIT AND/OR DRIP PLATE KIT REQUIRED.  
REFER TO PAGES 276 TO 277 FOR DETAILS.

480 Delta Primary Volts

480Y/277 Secondary Volts

60 Hz

kVA	Catalog Number	Case Style (Pages 264 - 272)	Approx. Dimensions (Inches)			Approx. Weight (Lbs.)	Mtg Type W - Wall F - Floor	Wiring Diagram (Pages 281 - 296)
			Width	Depth	Height			
15	SMK015KKCN	NH5	19.40	20.20	21.50	250	F or W *	SCD 25
30	SMK030KKCN	NH6	23.90	25.00	28.75	390	F or W *	SCD 19
45	SMK045KKC	NH6	23.90	25.00	28.75	460	F or W *	SCD 19
75	SMK075KKC	NH3	26.00	25.00	38.00	660	F or W *	SCD 19
112.5	SMK112KKC	NH4	32.00	29.50	41.00	1000	F	SCD 19
150	SMK150KKC	NH4	32.00	29.50	41.00	1250	F	SCD 19
225	SMK225KKC	NJ1	39.50	34.00	51.50	1960	F	SCD 19
300	SMK300KKC	NJ2	48.50	38.40	59.00	2470	F	SCD 19
500	SMK500KKC	NJ3	51.50	43.40	66.00	3930	F	SCD 20
750	SMK750KKC	NJ6	64.00	57.40	71.00	5750	F	SCD 20

For shielded units, please replace the suffix "C" with "K" on the above part numbers.

\*WALL MOUNTING KIT AND/OR DRIP PLATE KIT REQUIRED.  
REFER TO PAGES 276 TO 277 FOR DETAILS.

600 Delta Primary Volts

208Y/120 Secondary Volts

60 Hz

kVA	Catalog Number	Case Style (Pages 264 - 272)	Approx. Dimensions (Inches)			Approx. Weight (Lbs.)	Mtg Type W - Wall F - Floor	Wiring Diagram (Pages 281 - 296)
			Width	Depth	Height			
15	SMK015PBCN	NH5	19.40	20.20	21.50	250	F or W *	SCD 9
30	SMK030PBCN	NH6	23.90	25.00	28.75	390	F or W *	SCD 9
45	SMK045PBC	NH6	23.90	25.00	28.75	460	F or W *	SCD 9
75	SMK075PBC	NH3	26.00	25.00	38.00	660	F or W *	SCD 9
112.5	SMK112PBC	NH4	32.00	29.50	41.00	1000	F	SCD 9
150	SMK150PBC	NH4	32.00	29.50	41.00	1250	F	SCD 9
225	SMK225PBC	NJ1	39.50	34.00	51.50	1960	F	SCD 9
300	SMK300PBC	NJ2	48.50	38.40	59.00	2470	F	SCD 9
500	SMK500PBC	NJ3	51.50	43.40	66.00	3930	F	SCD 10
750	SMK750PBC	NJ6	64.00	57.40	71.00	5750	F	SCD 10

For shielded units, please replace the suffix "C" with "K" on the above part numbers.

\*WALL MOUNTING KIT AND/OR DRIP PLATE KIT REQUIRED.  
REFER TO PAGES 276 TO 277 FOR DETAILS.

Products listed on this page are available as 'CE Mark' products. Please consult our sales office.

FOR TERMINATION DETAILS SEE PAGE 280

FOR ACCESSORIES SEE PAGES 276 TO 278

Data subject to change without notice.



## COPPER WOUND, THREE PHASE



600Y Primary Volts

240 Delta Secondary Volts

60 Hz

kVA	Catalog Number	Case Style (Pages 264 - 272)	Approx. Dimensions (Inches)			Approx. Weight (Lbs.)	Mtg Type W - Wall F - Floor	Wiring Diagram (Pages 281 - 296)
			Width	Depth	Height			
15	<b>SMK015PDCN</b>	NH5	19.40	20.20	21.50	250	F or W *	SCD 16
30	<b>SMK030PDC</b>	NH6	23.90	25.00	28.75	390	F or W *	SCD 16
45	<b>SMK045PDC</b>	NH6	23.90	25.00	28.75	460	F or W *	SCD 16
75	<b>SMK075PDC</b>	NH3	26.00	25.00	38.00	660	F or W *	SCD 16
112.5	<b>SMK112PDC</b>	NH4	32.00	29.50	41.00	1000	F	SCD 16
150	<b>SMK150PDC</b>	NH4	32.00	29.50	41.00	1250	F	SCD 16
225	<b>SMK225PDC</b>	NJ1	39.50	34.00	51.50	1960	F	SCD 16
300	<b>SMK300PDC</b>	NJ2	48.50	38.40	59.00	2470	F	SCD 16
500	<b>SMK500PDC</b>	NJ3	51.50	43.40	66.00	3930	F	SCD 29
750	<b>SMK750PDC</b>	NJ6	64.00	57.40	71.00	5750	F	SCD 29

For shielded units, please replace the suffix "C" with "K" on the above part numbers.

\*WALL MOUNTING KIT AND/OR DRIP PLATE KIT REQUIRED. REFER TO PAGES 276 TO 277 FOR DETAILS.

600 Delta Primary Volts

480Y/277 Secondary Volts

60 Hz

kVA	Catalog Number	Case Style (Pages 264 - 272)	Approx. Dimensions (Inches)			Approx. Weight (Lbs.)	Mtg Type W - Wall F - Floor	Wiring Diagram (Pages 281 - 296)
			Width	Depth	Height			
15	<b>SMK015PKCN</b>	NH5	19.40	20.20	21.50	250	F or W *	SCD 9
30	<b>SMK030PKCN</b>	NH6	23.90	25.00	28.75	390	F or W *	SCD 9
45	<b>SMK045PKC</b>	NH6	23.90	25.00	28.75	460	F or W *	SCD 9
75	<b>SMK075PKC</b>	NH3	26.00	25.00	38.00	660	F or W *	SCD 9
112.5	<b>SMK112PKC</b>	NH4	32.00	29.50	41.00	1000	F	SCD 9
150	<b>SMK150PKC</b>	NH4	32.00	29.50	41.00	1250	F	SCD 9
225	<b>SMK225PKC</b>	NJ1	39.50	34.00	51.50	1960	F	SCD 9
300	<b>SMK300PKC</b>	NJ2	48.50	38.40	59.00	2470	F	SCD 9
500	<b>SMK500PKC</b>	NJ3	51.50	43.40	66.00	3930	F	SCD 10
750	<b>SMK750PKC</b>	NJ6	64.00	57.40	71.00	5750	F	SCD 10

For shielded units, please replace the suffix "C" with "K" on the above part numbers.

\*WALL MOUNTING KIT AND/OR DRIP PLATE KIT REQUIRED. REFER TO PAGES 276 TO 277 FOR DETAILS.

SECTION 7

Products listed on this page are available as 'CE Mark' products. Please consult our sales office.

FOR TERMINATION DETAILS SEE PAGE 280

FOR ACCESSORIES SEE PAGES 276 TO 278



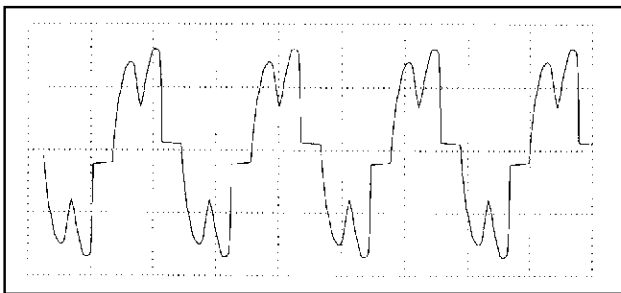
# HPS Synergy® Series

## 600V CLASS ENERGY EFFICIENT K-FACTOR TRANSFORMER

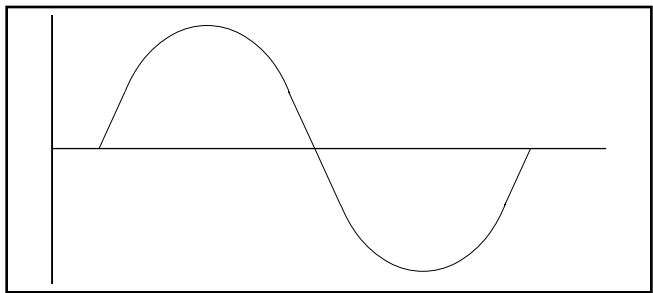
The use of electronic equipment has continued to proliferate in both offices and industrial plants. These electronic devices are powered by either switching power supplies or a rectifier circuit. Examples of these devices include computers, fax machines, copiers, printers, cash registers, UPS's and solid-state ballasts. They all contribute to the distortion of the current waveform and the generation of harmonics.

### HARMONICS AND NON-LINEAR LOADS

Harmonics, in an electrical system, are currents created by non-linear loads that generate non-sinusoidal (non-linear) current waveforms. These current and voltage waveforms operate on frequencies that are in multiples of the fundamental 60 hertz frequency. That is, the fundamental frequency is at 60 hertz, the 2<sup>nd</sup> harmonic is at 120 hertz frequency (60 x 2), the 3<sup>rd</sup> at 180 hertz, and so forth.



An example of harmonics



An example of a perfect waveform

Harmonics are principally the by-product of switch-mode power supply technology where AC is rectified to DC, and back again. In the process, a capacitor is charged in the first half-cycle and then discharged in the next half-cycle in supplying current to the load. This cycle is repeated. This action of recharging causes AC current to flow only during a portion of the AC voltage wave in abrupt pulses. These abrupt pulses distort the fundamental wave shape causing distortion to the various harmonic frequencies.

### Non-Linear Loads

Today, non-linear loads make up the majority of all electrical demand. Rectified input, switching power supplies and electronic lighting ballasts are the most common single phase non-linear loads. Harmonic currents and voltages produced by single phase, non-linear loads which are connected phase-to-neutral in a three phase four wire system, are third order, zero sequence harmonics (the third harmonic and its odd multiples - 3<sup>rd</sup>, 9<sup>th</sup>, 15<sup>th</sup>, 21<sup>st</sup>, etc., phasors displaced by zero degrees). These third order, zero sequence harmonic currents do not cancel, but add up arithmetically on the neutral bus, creating a primary source of excessive neutral current.

# HPS Synergy® Series

## 600V CLASS ENERGY EFFICIENT K-FACTOR TRANSFORMER continued...

Energy efficient general purpose distribution transformers, most frequently used for applications such as commercial or institutional buildings, will supply widely varied single phase loads. Energy Efficient K-Factor transformers are energy efficient general purpose transformers, but are designed to tolerate the harmonic distortion associated with these loads.

Harmonics indicate their presence in a number of ways:

- Overheating
- Device malfunctions
- Telephone interference
- Equipment vibration
- Breakers tripping

### Harmonics For A 60Hz System

In a 60 Hz power system, the fundamental and harmonic frequencies are outlined in the table below.

Fundamental	60 Hz
2nd Harmonic	120 Hz
3rd Harmonic	180 Hz
4th Harmonic	240 Hz
5th Harmonic	300 Hz
6th Harmonic	360 Hz
7th Harmonic	420 Hz
8th Harmonic	480 Hz
9th Harmonic	540 Hz
10th Harmonic	600 Hz
11th Harmonic	660 Hz
12th Harmonic	720 Hz
13th Harmonic	780 Hz

14th Harmonic	840 Hz
15th Harmonic	900 Hz
16th Harmonic	960 Hz
17th Harmonic	1020 Hz
18th Harmonic	1080 Hz
19th Harmonic	1140 Hz
20th Harmonic	1200 Hz
21st Harmonic	1260 Hz
22nd Harmonic	1320 Hz
23rd Harmonic	1380 Hz
24th Harmonic	1440 Hz
25th Harmonic	1500 Hz

### K-Factor

K-factor is defined as a ratio between the additional losses due to harmonics and the eddy current losses at 60Hz. It is used to specify transformers for non-linear loads. Transformers with a rated K-factor of 4, 7, 13, 20 and 30 are available. For balanced loading, a transformer with a K-factor of 4 should be specified when no more than 50% of the total load is non-linear. A transformer with K-factor 13 should be specified when 100% of the load is non-linear.

# HPS Synergy<sup>®</sup>

## 600 VOLT CLASS ENERGY EFFICIENT K-FACTOR TRANSFORMERS

### K-Factor Transformer Efficiencies:

**HPS SYNERGY (PART NUMBER PREFIX NMT)**

Energy efficient k-factor transformers are designed to tolerate heating due to harmonics associated with non-linear loads. Harmonics can indicate their presence in a number of ways: overheating, device malfunctions; telephone interference; equipment vibration; and breakers tripping.

- Meets **DOE 10 CFR Part 431** and **C802.2** efficiencies at **35%** of rated load.
- Efficiencies are calculated under a **linear load profile**.
- Copper and aluminum available.





# HPS Synergy®

## 600V CLASS ENERGY EFFICIENT K-FACTOR TRANSFORMERS

### ALUMINUM & COPPER, THREE PHASE STANDARD SPECIFICATIONS



15 to 45 kVA



75 to 750 kVA



	15 to 45 kVA	75 to 750 kVA
<b>Efficiency</b>	Meets DOE 10 CFR Part 431 & C802.2 efficiencies at 35% of rated load. Efficiencies are calculated under a linear load profile.	
<b>UL Listed</b>	File: E112313	File: E112313
<b>CSA Certified</b>	File: LR3902	File: LR3902
<b>Frequency</b>	60 Hz	60 Hz
<b>Insulation System</b>	220°C (150°C rise) 200°C (130°C rise) on 15 & 30kVA copper (optional 115°C and 80°C rise available)	220°C (150°C rise) (optional 115°C and 80°C rise available)
<b>Electrostatic Shield</b>	60dB Common Mode - typical	60dB Common Mode - typical
<b>Enclosure Type</b>	Heavy duty ventilated type 3R Optional type 4, 4X (stainless steel) and 12.	Heavy duty ventilated type 3R Optional type 4, 4X (stainless steel) and 12.
<b>Enclosure Finish</b>	ANSI 61 Grey, UL50	ANSI 61 Grey, UL50
<b>Neutral</b>	Neutral terminal for field connection (on applicable units).	Neutral terminal for field connection (on applicable units).
<b>Standard Primary Taps</b>	Refer to wiring diagrams for details.	Refer to wiring diagrams for details.
<b>Termination</b>	Front accessible separate high and low voltage terminals; connectors suitable for aluminum and copper are provided for easy cable installation.	Front accessible separate high and low voltage terminals; connectors suitable for aluminum and copper are provided for easy cable installation.
<b>Conduit Knock-Outs</b>	Standard on all units (no knock-outs on Stainless Steel enclosures).	Standard on 75 kVA & 225 kVA units (no knock-outs on Stainless Steel enclosures).
<b>Impedance</b>	Typically 2.5% to 6.5%	Typically 2.5% to 6.5%
<b>Mounting</b>	Floor or wall/ceiling mounting available. Refer to selection tables for details.	Floor or wall/ceiling mounting available. Refer to selection tables for details.
<b>Sound level</b>	Meets NEMA ST-20 standards. <b>(Optional low noise units available)</b>	Meets NEMA ST-20 standards. <b>(Optional low noise units available)</b>

Other voltages and kVA sizes not listed in this section are available upon request for both aluminum and copper wound units. Features as listed above may differ. Please contact customer service for details, price and availability.

SECTION 7





## ALUMINUM WOUND, SHIELDED, THREE PHASE K-FACTOR 4

480 Delta Primary Volts

208Y/120 Secondary Volts

60 Hz

kVA	Catalog Number	Case Style (Pages 264 - 272)	Approx. Dimensions (Inches)			Approx. Weight (Lbs.)	Mtg Type W - Wall F - Floor	Wiring Diagram (Pages 281 - 296)
			Width	Depth	Height			
15	NMT04K015KBS	NH5	19.40	20.20	21.50	190	F or W *	SCD 7
30	NMT04K030KBS	NH6	23.90	25.00	28.75	330	F or W *	SCD 19
45	NMT04K045KBS	NH6	23.90	25.00	28.75	430	F or W *	SCD 19
75	NMT04K075KBS	NH3	26.00	25.00	38.00	640	F or W *	SCD 19
112.5	NMT04K112KBS	NH3	26.00	25.00	38.00	920	F	SCD 19
150	NMT04K150KBS	NH4	32.00	29.50	41.00	1050	F	SCD 19
225	NMT04K225KBS	NH4	32.00	29.50	41.00	1575	F	SCD 19
300	NMT04K300KBS	NJ1	39.50	34.00	51.50	1830	F	SCD 19
500	NMT04K500KBS	NJ2	48.50	38.40	59.00	2150	F	SCD 20
750	NMT04K750KBS	NJ3	51.50	43.40	66.00	3375	F	SCD 20

\*WALL MOUNTING KIT AND/OR DRIP PLATE KIT REQUIRED. REFER TO PAGES 276 TO 277 FOR DETAILS.

600 Delta Primary Volts

208Y/120 Secondary Volts

60 Hz

kVA	Catalog Number	Case Style (Pages 264 - 272)	Approx. Dimensions (Inches)			Approx. Weight (Lbs.)	Mtg Type W - Wall F - Floor	Wiring Diagram (Pages 281 - 296)
			Width	Depth	Height			
15	NMT04K015PBS	NH5	19.40	20.20	21.50	190	F or W *	SCD 9
30	NMT04K030PBS	NH6	23.90	25.00	28.75	330	F or W *	SCD 9
45	NMT04K045PBS	NH6	23.90	25.00	28.75	430	F or W *	SCD 9
75	NMT04K075PBS	NH3	26.00	25.00	38.00	640	F or W *	SCD 9
112.5	NMT04K112PBS	NH3	26.00	25.00	38.00	920	F	SCD 9
150	NMT04K150PBS	NH4	32.00	29.50	41.00	1050	F	SCD 9
225	NMT04K225PBS	NH4	32.00	29.50	41.00	1575	F	SCD 9
300	NMT04K300PBS	NJ1	39.50	34.00	51.50	1830	F	SCD 9
500	NMT04K500PBS	NJ2	48.50	38.40	59.00	3000	F	SCD 10
750	NMT04K750PBS	NJ3	51.50	43.40	66.00	3375	F	SCD 10

\*WALL MOUNTING KIT AND/OR DRIP PLATE KIT REQUIRED. REFER TO PAGES 276 TO 277 FOR DETAILS.

## COPPER WOUND, SHIELDED, THREE PHASE K-FACTOR 4

480 Delta Primary Volts

208Y/120 Secondary Volts

60 Hz

kVA	Catalog Number	Case Style (Pages 264 - 272)	Approx. Dimensions (Inches)			Approx. Weight (Lbs.)	Mtg Type W - Wall F - Floor	Wiring Diagram (Pages 281 - 296)
			Width	Depth	Height			
15	NMT04K015KBKF	NH5	19.40	20.20	21.50	210	F or W *	SCD 7
30	NMT04K030KBKN	NH6	23.90	25.00	28.75	350	F or W *	SCD 19
45	NMT04K045KBK	NH6	23.90	25.00	28.75	460	F or W *	SCD 19
75	NMT04K075KBK	NH3	26.00	25.00	38.00	665	F or W *	SCD 19
112.5	NMT04K112KBK	NH3	26.00	25.00	38.00	945	F	SCD 19
150	NMT04K150KBK	NH4	32.00	29.50	41.00	1070	F	SCD 19
225	NMT04K225KBK	NH4	32.00	29.50	41.00	1725	F	SCD 19
300	NMT04K300KBK	NJ1	39.50	34.00	51.50	1925	F	SCD 19
500	NMT04K500KBK	NJ2	48.50	38.40	59.00	2500	F	SCD 20
750	NMT04K750KBK	NJ3	51.50	43.40	66.00	3300	F	SCD 20

\*WALL MOUNTING KIT AND/OR DRIP PLATE KIT REQUIRED. REFER TO PAGES 276 TO 277 FOR DETAILS.

600 Delta Primary Volts

208Y/120 Secondary Volts

60 Hz

kVA	Catalog Number	Case Style (Pages 264 - 272)	Approx. Dimensions (Inches)			Approx. Weight (Lbs.)	Mtg Type W - Wall F - Floor	Wiring Diagram (Pages 281 - 296)
			Width	Depth	Height			
15	NMT04K015PBKF	NH5	19.40	20.20	21.50	210	F or W *	SCD 9
30	NMT04K030PBKN	NH6	23.90	25.00	28.75	350	F or W *	SCD 9
45	NMT04K045PBK	NH6	23.90	25.00	28.75	460	F or W *	SCD 19
75	NMT04K075PBK	NH3	26.00	25.00	38.00	665	F or W *	SCD 9
112.5	NMT04K112PBK	NH3	26.00	25.00	38.00	945	F	SCD 9
150	NMT04K150PBK	NH4	32.00	29.50	41.00	1070	F	SCD 9
225	NMT04K225PBK	NJ1	39.50	34.00	51.50	1725	F	SCD 9
300	NMT04K300PBK	NJ1	39.50	34.00	51.50	1925	F	SCD 9
500	NMT04K500PBK	NJ2	48.50	38.40	59.00	2925	F	SCD 10
750	NMT04K750PBK	NJ3	51.50	43.40	66.00	3375	F	SCD 10

\*WALL MOUNTING KIT AND/OR DRIP PLATE KIT REQUIRED. REFER TO PAGES 276 TO 277 FOR DETAILS.

Products listed on this page are available as 'CE Mark' products. Please consult our sales office.





## ALUMINUM WOUND, SHIELDED, THREE PHASE K-FACTOR 13

480 Delta Primary Volts

208Y/120 Secondary Volts

60 Hz

kVA	Catalog Number	Case Style (Pages 264 - 272)	Approx. Dimensions (Inches)			Approx. Weight (Lbs.)	Mtg Type W - Wall F - Floor	Wiring Diagram (Pages 281 - 296)
			Width	Depth	Height			
15	NMT13K015KBS	NH6	23.90	25.00	28.75	190	F or W *	SCD 19
30	NMT13K030KBS	NH6	23.90	25.00	28.75	340	F or W *	SCD 19
45	NMT13K045KBS	NH6	23.90	25.00	28.75	410	F or W *	SCD 19
75	NMT13K075KBS	NH3	26.00	25.00	38.00	675	F or W *	SCD 19
112.5	NMT13K112KBS	NH4	32.00	29.50	41.00	920	F	SCD 19
150	NMT13K150KBS	NH4	32.00	29.50	41.00	1050	F	SCD 19
225	NMT13K225KBS	NJ1	39.50	34.00	51.50	1600	F	SCD 19
300	NMT13K300KBS	NJ1	39.50	34.00	51.50	1830	F	SCD 20
500	NMT13K500KBS	NJ3	51.50	43.40	66.00	3000	F	SCD 20
750	NMT13K750KBS	NJ3	51.50	43.40	66.00	4300	F	SCD 10

\*WALL MOUNTING KIT AND/OR DRIP PLATE KIT REQUIRED. REFER TO PAGES 276 TO 277 FOR DETAILS.

600 Delta Primary Volts

208Y/120 Secondary Volts

60 Hz

kVA	Catalog Number	Case Style (Pages 264 - 272)	Approx. Dimensions (Inches)			Approx. Weight (Lbs.)	Mtg Type W - Wall F - Floor	Wiring Diagram (Pages 281 - 296)
			Width	Depth	Height			
15	NMT13K015PBS	NH5	19.40	20.20	21.50	190	F or W *	SCD 9
30	NMT13K030PBS	NH6	23.90	25.00	28.75	340	F or W *	SCD 9
45	NMT13K045PBS	NH6	23.90	25.00	28.75	410	F or W *	SCD 9
75	NMT13K075PBS	NH3	26.00	25.00	38.00	675	F or W *	SCD 9
112.5	NMT13K112PBS	NH4	32.00	29.50	41.00	920	F	SCD 9
150	NMT13K150PBS	NH4	32.00	29.50	41.00	1050	F	SCD 9
225	NMT13K225PBS	NJ1	39.50	34.00	51.50	1600	F	SCD 9
300	NMT13K300PBS	NJ1	39.50	34.00	51.50	1900	F	SCD 9
500	NMT13K500PBS	NJ3	51.50	43.40	66.00	3000	F	SCD 10
750	NMT13K750PBS	NJ3	51.50	43.40	66.00	4300	F	SCD 10

\*WALL MOUNTING KIT AND/OR DRIP PLATE KIT REQUIRED. REFER TO PAGES 276 TO 277 FOR DETAILS.

## COPPER WOUND, SHIELDED, THREE PHASE K-FACTOR 13

480 Delta Primary Volts

208Y/120 Secondary Volts

60 Hz

kVA	Catalog Number	Case Style (Pages 264 - 272)	Approx. Dimensions (Inches)			Approx. Weight (Lbs.)	Mtg Type W - Wall F - Floor	Wiring Diagram (Pages 281 - 296)
			Width	Depth	Height			
15	NMT13K015KBKF	NH6	23.90	25.00	28.75	280	F or W *	SCD 19
30	NMT13K030KBKN	NH6	23.90	25.00	28.75	350	F or W *	SCD 19
45	NMT13K045KBK	NH6	23.90	25.00	28.75	470	F or W *	SCD 19
75	NMT13K075KBK	NH3	26.00	25.00	38.00	680	F or W *	SCD 19
112.5	NMT13K112KBK	NH4	32.00	29.50	41.00	970	F	SCD 19
150	NMT13K150KBK	NH4	32.00	29.50	41.00	1200	F	SCD 19
225	NMT13K225KBK	NJ1	39.50	34.00	51.50	1900	F	SCD 19
300	NMT13K300KBK	NJ1	39.50	34.00	51.50	2150	F	SCD 19
500	NMT13K500KBK	NJ2	51.50	43.40	66.00	3200	F	SCD 20
750	NMT13K750KBK	NJ3	51.50	43.40	66.00	4500	F	SCD 20

\*WALL MOUNTING KIT AND/OR DRIP PLATE KIT REQUIRED. REFER TO PAGES 276 TO 277 FOR DETAILS.

600 Delta Primary Volts

208Y/120 Secondary Volts

60 Hz

kVA	Catalog Number	Case Style (Pages 264 - 272)	Approx. Dimensions (Inches)			Approx. Weight (Lbs.)	Mtg Type W - Wall F - Floor	Wiring Diagram (Pages 281 - 296)
			Width	Depth	Height			
15	NMT13K015PBKF	NH6	23.90	25.00	28.75	295	F or W *	SCD 9
30	NMT13K030PBKN	NH6	23.90	25.00	28.75	350	F or W *	SCD 9
45	NMT13K045PBK	NH6	23.90	25.00	28.75	480	F or W *	SCD 19
75	NMT13K075PBK	NH3	26.00	25.00	38.00	700	F or W *	SCD 9
112.5	NMT13K112PBK	NH4	32.00	29.50	41.00	970	F	SCD 9
150	NMT13K150PBK	NH4	32.00	29.50	41.00	1200	F	SCD 9
225	NMT13K225PBK	NJ1	39.50	34.00	51.50	1900	F	SCD 9
300	NMT13K300PBK	NJ1	39.50	34.00	51.50	2400	F	SCD 9
500	NMT13K500PBK	NJ2	51.50	43.40	66.00	3200	F	SCD 10
750	NMT13K750PBK	NJ3	51.50	43.40	66.00	4500	F	SCD 10

\*WALL MOUNTING KIT AND/OR DRIP PLATE KIT REQUIRED. REFER TO PAGES 276 TO 277 FOR DETAILS.

Products listed on this page are available as 'CE Mark' products. Please consult our sales office.





## ALUMINUM WOUND, SHIELDED, THREE PHASE K-FACTOR 20

480 Delta Primary Volts

208Y/120 Secondary Volts

60 Hz

kVA	Catalog Number	Case Style (Pages 264 - 272)	Approx. Dimensions (Inches)			Approx. Weight (Lbs.)	Mtg Type W - Wall F - Floor	Wiring Diagram (Pages 281 - 296)
			Width	Depth	Height			
15	NMT20K015KBS	NH6	23.90	25.00	28.75	275	F or W *	SCD 19
30	NMT20K030KBS	NH6	23.90	25.00	28.75	365	F or W *	SCD 19
45	NMT20K045KBS	NH3	26.00	25.00	38.00	565	F or W *	SCD 19
75	NMT20K075KBS	NH3	26.00	25.00	38.00	730	F or W *	SCD 19
112.5	NMT20K112KBS	NH4	32.00	29.50	41.00	950	F	SCD 19
150	NMT20K150KBS	NH4	32.00	29.50	41.00	1400	F	SCD 19
225	NMT20K225KBS	NJ1	39.50	34.00	51.50	1900	F	SCD 19
300	NMT20K300KBS	NJ2	48.50	38.40	59.00	2400	F	SCD 20
500	NMT20K500KBS	NJ3	51.50	43.40	66.00	3600	F	SCD 20
750	NMT20K750KBS							CONSULT FACTORY

\*WALL MOUNTING KIT AND/OR DRIP PLATE KIT REQUIRED. REFER TO PAGES 276 TO 277 FOR DETAILS.

600 Delta Primary Volts

208Y/120 Secondary Volts

60 Hz

kVA	Catalog Number	Case Style (Pages 264 - 272)	Approx. Dimensions (Inches)			Approx. Weight (Lbs.)	Mtg Type W - Wall F - Floor	Wiring Diagram (Pages 281 - 296)
			Width	Depth	Height			
15	NMT20K015PBS	NH6	23.90	25.00	28.75	275	F or W *	SCD 9
30	NMT20K030PBS	NH6	23.90	25.00	28.75	365	F or W *	SCD 9
45	NMT20K045PBS	NH3	26.00	25.00	38.00	565	F or W *	SCD 9
75	NMT20K075PBS	NH3	26.00	25.00	38.00	730	F or W *	SCD 9
112.5	NMT20K112PBS	NH4	32.00	29.50	41.00	950	F	SCD 9
150	NMT20K150PBS	NH4	32.00	29.50	41.00	1400	F	SCD 9
225	NMT20K225PBS	NJ1	39.50	34.00	51.50	1900	F	SCD 9
300	NMT20K300PBS	NJ2	48.50	38.40	59.00	2400	F	SCD 10
500	NMT20K500PBS	NJ3	51.50	43.40	66.00	3600	F	SCD 10
750	NMT20K750PBS							CONSULT FACTORY

\*WALL MOUNTING KIT AND/OR DRIP PLATE KIT REQUIRED. REFER TO PAGES 276 TO 277 FOR DETAILS.

## COPPER WOUND, SHIELDED, THREE PHASE K-FACTOR 20

480 Delta Primary Volts

208Y/120 Secondary Volts

60 Hz

kVA	Catalog Number	Case Style (Pages 264 - 272)	Approx. Dimensions (Inches)			Approx. Weight (Lbs.)	Mtg Type W - Wall F - Floor	Wiring Diagram (Pages 281 - 296)
			Width	Depth	Height			
15	NMT20K015KBKF	NH6	23.90	25.00	28.75	275	F or W *	SCD 19
30	NMT20K030KBKN	NH6	23.90	25.00	28.75	440	F or W *	SCD 19
45	NMT20K045KBK	NH3	26.00	25.00	38.00	700	F or W *	SCD 19
75	NMT20K075KBK	NH3	26.00	25.00	38.00	860	F or W *	SCD 19
112.5	NMT20K112KBK	NH4	32.00	29.50	41.00	1150	F	SCD 19
150	NMT20K150KBK	NH4	32.00	29.50	41.00	1600	F	SCD 19
225	NMT20K225KBK	NJ1	39.50	34.00	51.50	2100	F	SCD 19
300	NMT20K300KBK	NJ2	48.50	38.40	59.00	2600	F	SCD 20
500	NMT20K500KBK	NJ3	51.50	43.40	66.00	3800	F	SCD 20
750	NMT20K750KBK							CONSULT FACTORY

\*WALL MOUNTING KIT AND/OR DRIP PLATE KIT REQUIRED. REFER TO PAGES 276 TO 277 FOR DETAILS.

600 Delta Primary Volts

208Y/120 Secondary Volts

60 Hz

kVA	Catalog Number	Case Style (Pages 264 - 272)	Approx. Dimensions (Inches)			Approx. Weight (Lbs.)	Mtg Type W - Wall F - Floor	Wiring Diagram (Pages 281 - 296)
			Width	Depth	Height			
15	NMT20K015PBKF	NH6	23.90	25.00	28.75	275	F or W *	SCD 9
30	NMT20K030PBKN	NH6	23.90	25.00	28.75	440	F or W *	SCD 9
45	NMT20K045PBK	NH3	26.00	25.00	38.00	700	F or W *	SCD 9
75	NMT20K075PBK	NH3	26.00	25.00	38.00	860	F or W *	SCD 9
112.5	NMT20K112PBK	NH4	32.00	29.50	41.00	1150	F	SCD 9
150	NMT20K150PBK	NH4	32.00	29.50	41.00	1600	F	SCD 9
225	NMT20K225PBK	NJ1	39.50	34.00	51.50	2100	F	SCD 9
300	NMT20K300PBK	NJ2	48.50	38.40	59.00	2600	F	SCD 10
500	NMT20K500PBK	NJ3	51.50	43.40	66.00	3800	F	SCD 10
750	NMT20K750PBK							CONSULT FACTORY

\*WALL MOUNTING KIT AND/OR DRIP PLATE KIT REQUIRED. REFER TO PAGES 276 TO 277 FOR DETAILS.

Products listed on this page are available as 'CE Mark' products. Please consult our sales office.





## HPS SUPERSYNERGY® 600 VOLT CLASS ENERGY EFFICIENT K-FACTOR TRANSFORMERS

### K-Factor Transformer Efficiencies:

#### **HPS SUPERSYNERGY (PART NUMBER PREFIX SMT)**

The HPS SuperSynergy energy efficient k-factor transformer exceeds DOE 10 CFR Part 431/C802.2 efficiencies over a range of linear loads. It will not only satisfy the necessity for running at k-factor modern building load types, but in addition, because of the increasing need for energy conservation, they are much more efficient than that of our standard energy efficient line.

- Efficiency performance will meet the **NEMA Premium®** guidelines; **30% lower losses** than DOE 10 CFR Part 431 and (if applicable) C802.2 efficiency standards; when measured under a linear load profile at **35%** of rated load.
- Efficiency will meet or exceed DOE 10 CFR Part 431 and (if applicable) C802.2 standards; for linear load even at **50%** of rated load when measured under a **non-linear** load up to **K13**.
- Copper and aluminum available.



## HPS SUPERSYNERGY® 600V CLASS SUPER ENERGY EFFICIENT K-FACTOR TRANSFORMERS



### THREE PHASE STANDARD SPECIFICATIONS

15 TO 45 KVA

75 TO 750 KVA



	15 to 45 kVA	75 to 750 kVA
<b>Efficiency</b>	Efficiency performance will meet the <b>NEMA Premium®</b> guidelines; <b>30% lower losses</b> than DOE 10 CFR Part 431 and (if applicable) C802.2 efficiency standards; when measured under a linear load profile at 35% of the rated load. Efficiency will meet or exceed DOE 10 CFR Part 431 and (if applicable) C802.2 efficiency standards; for linear loads even at <b>50%</b> of rated load when measured under a <b>non-linear</b> load up to <b>K13</b> .	
<b>UL Listed</b>	File: E112313	File: E112313
<b>CSA Certified</b>	File: LR3902	File: LR3902
<b>Frequency</b>	60 Hz	60 Hz
<b>Insulation System</b>	220°C (150°C rise) 200°C (130°C rise) on 15 & 30kVA copper (optional 115°C and 80°C rise available)	220°C (150°C rise) (optional 115°C and 80°C rise available)
<b>Electrostatic Shield</b>	60dB Common Mode - typical	60dB Common Mode - typical
<b>Enclosure Type</b>	Heavy Duty Ventilated Type 3R Optional Type 4, 4X (stainless steel) and 12.	Heavy Duty Ventilated Type 3R Optional Type 4, 4X (stainless steel) and 12.
<b>Enclosure Finish</b>	ANSI 61 Grey, UL50	ANSI 61 Grey, UL50
<b>Neutral</b>	Neutral terminal for field connection (on applicable units).	Neutral terminal for field connection (on applicable units).
<b>Standard Primary Taps</b>	Refer to wiring diagrams for details.	Refer to wiring diagrams for details.
<b>Termination</b>	Front accessible separate high and low voltage terminals; connectors suitable for aluminum and copper are provided for easy cable installation.	Front accessible separate high and low voltage terminals; connectors suitable for aluminum and copper are provided for easy cable installation.
<b>Conduit Knock-Outs</b>	Standard on all units (no knock-outs on Stainless Steel enclosures).	Standard on 75 kVA & 150 kVA units (no knock-outs on Stainless Steel enclosures).
<b>Impedance</b>	Typically 2.5% to 6.5%	Typically 2.5% to 6.5%
<b>Mounting</b>	Floor or wall/ceiling mounting available. Refer to selection tables for details.	Floor or wall/ceiling mounting available. Refer to selection tables for details.
<b>Sound level</b>	Meets NEMA ST-20 standards. (Optional low noise units available)	Meets NEMA ST-20 standards. (Optional low noise units available)

\* Optional TVSS available. Dual Output option also available. Features as listed above may differ. Contact sales for more details.



## ALUMINUM WOUND, SHIELDED, THREE PHASE K-FACTOR 13



208 Delta Primary Volts

208Y/120 Secondary Volts

60 Hz

kVA	Catalog Number	Case Style (Pages 264 - 272)	Approx. Dimensions (Inches)			Approx. Weight (Lbs.)	Mtg Type W - Wall F - Floor	Wiring Diagram (Pages 281 - 296)
			Width	Depth	Height			
15	<b>Only available in copper. Please see SMT13K015BBKN on page 200 for details.</b>							
30	SMT13K030BBS	NH6	23.90	25.00	28.75	350	F or W *	SCD 19
45	SMT13K045BBS	NH3	26.00	25.00	38.00	460	F or W *	SCD 19
75	SMT13K075BBS	NH4	32.00	29.50	41.00	650	F	SCD 19
112.5	SMT13K112BBS	NH4	32.00	29.50	41.00	960	F	SCD 19
150	SMT13K150BBS	NH4	32.00	29.50	41.00	1210	F	SCD 19
225	SMT13K225BBS	NJ1	39.50	34.00	51.50	1970	F	SCD 19
300	SMT13K300BBS	NJ2	48.50	38.40	59.00	2590	F	SCD 20
500	SMT13K500BBS	NJ3	51.50	43.40	66.00	4460	F	SCD 20
750	SMT13K750BBS	NJ6	64.00	51.40	71.00	6260	F	SCD 20

\*WALL MOUNTING KIT AND/OR DRIP PLATE KIT REQUIRED. REFER TO PAGES 276 TO 277 FOR DETAILS.

208 Delta Primary Volts

480Y/277 Secondary Volts

60 Hz

kVA	Catalog Number	Case Style (Pages 264 - 272)	Approx. Dimensions (Inches)			Approx. Weight (Lbs.)	Mtg Type W - Wall F - Floor	Wiring Diagram (Pages 281 - 296)
			Width	Depth	Height			
15	<b>Only available in copper. Please see SMT13K015BKKN on page 200 for details.</b>							
30	SMT13K030BKS	NH6	23.90	25.00	28.75	350	F or W *	SCD 19
45	SMT13K045BKS	NH3	26.00	25.00	38.00	460	F or W *	SCD 19
75	SMT13K075BKS	NH4	32.00	29.50	41.00	650	F	SCD 19
112.5	SMT13K112BKS	NH4	32.00	29.50	41.00	960	F	SCD 19
150	SMT13K150BKS	NH4	32.00	29.50	41.00	1210	F	SCD 19
225	SMT13K225BKS	NJ1	39.50	34.00	51.50	1970	F	SCD 19
300	SMT13K300BKS	NJ2	48.50	38.40	59.00	2590	F	SCD 20
500	SMT13K500BKS	NJ3	51.50	43.40	66.00	4460	F	SCD 20
750	SMT13K750BKS	NJ6	64.00	51.40	71.00	6260	F	SCD 20

\*WALL MOUNTING KIT AND/OR DRIP PLATE KIT REQUIRED. REFER TO PAGES 276 TO 277 FOR DETAILS.

480 Delta Primary Volts

208Y/120 Secondary Volts

60 Hz

kVA	Catalog Number	Case Style (Pages 264 - 272)	Approx. Dimensions (Inches)			Approx. Weight (Lbs.)	Mtg Type W - Wall F - Floor	Wiring Diagram (Pages 281 - 296)
			Width	Depth	Height			
15	<b>Only available in copper. Please see SMT13K015KBKN on page 200 for details.</b>							
30	SMT13K030KBS	NH6	23.90	25.00	28.75	373	F or W *	SCD 19
45	SMT13K045KBS	NH3	26.00	25.00	38.00	475	F or W *	SCD 19
75	SMT13K075KBS	NH4	32.00	29.50	41.00	751	F	SCD 19
112.5	SMT13K112KBS	NH4	32.00	29.50	41.00	1019	F	SCD 19
150	SMT13K150KBS	NH4	32.00	29.50	41.00	1269	F	SCD 19
225	SMT13K225KBS	NJ1	39.50	34.00	51.50	2046	F	SCD 19
300	SMT13K300KBS	NJ2	48.50	38.40	59.00	2893	F	SCD 20
500	SMT13K500KBS	NJ6	64.00	51.40	71.00	4732	F	SCD 20
750	SMT13K750KBS	NJ6	64.00	51.40	71.00	6260	F	SCD 20

\*WALL MOUNTING KIT AND/OR DRIP PLATE KIT REQUIRED. REFER TO PAGES 276 TO 277 FOR DETAILS.



## ALUMINUM WOUND, SHIELDED, THREE PHASE K-FACTOR 13



480 Delta Primary Volts

480Y/277 Secondary Volts

60 Hz

kVA	Catalog Number	Case Style (Pages 264 - 272)	Approx. Dimensions (Inches)			Approx. Weight (Lbs.)	Mtg Type W - Wall F - Floor	Wiring Diagram (Pages 281 - 296)
			Width	Depth	Height			
15	<b>Only available in copper. Please see SMT13K015KKN on page 201 for details.</b>							
30	<b>SMT13K030KKS</b>	NH6	23.90	25.00	28.75	350	F or W *	SCD 19
45	<b>SMT13K045KKS</b>	NH3	26.00	25.00	38.00	460	F or W *	SCD 19
75	<b>SMT13K075KKS</b>	NH4	32.00	29.50	41.00	650	F	SCD 19
112.5	<b>SMT13K112KKS</b>	NH4	32.00	29.50	41.00	960	F	SCD 19
150	<b>SMT13K150KKS</b>	NH4	32.00	29.50	41.00	1210	F	SCD 19
225	<b>SMT13K225KKS</b>	NJ1	39.50	34.00	51.50	1970	F	SCD 19
300	<b>SMT13K300KKS</b>	NJ2	48.50	38.40	59.00	2590	F	SCD 20
500	<b>SMT13K500KKS</b>	NJ3	51.50	43.40	66.00	4460	F	SCD 20
750	<b>SMT13K750KKS</b>	NJ6	64.00	51.40	71.00	6260	F	SCD 20

\*WALL MOUNTING KIT AND/OR DRIP PLATE KIT REQUIRED. REFER TO PAGES 276 TO 277 FOR DETAILS.

600 Delta Primary Volts

208Y/120 Secondary Volts

60 Hz

kVA	Catalog Number	Case Style (Pages 264 - 272)	Approx. Dimensions (Inches)			Approx. Weight (Lbs.)	Mtg Type W - Wall F - Floor	Wiring Diagram (Pages 281 - 296)
			Width	Depth	Height			
15	<b>Only available in copper. Please see SMT13K015PBKN on page 201 for details.</b>							
30	<b>SMT13K030PBS</b>	NH6	23.90	25.00	28.75	350	F or W *	SCD 9
45	<b>SMT13K045PBS</b>	NH3	26.00	25.00	38.00	460	F or W *	SCD 9
75	<b>SMT13K075PBS</b>	NH4	32.00	29.50	41.00	650	F	SCD 9
112.5	<b>SMT13K112PBS</b>	NH4	32.00	29.50	41.00	960	F	SCD 9
150	<b>SMT13K150PBS</b>	NH4	32.00	29.50	41.00	1210	F	SCD 9
225	<b>SMT13K225PBS</b>	NJ1	39.50	34.00	51.50	1970	F	SCD 9
300	<b>SMT13K300PBS</b>	NJ2	48.50	38.40	59.00	2590	F	SCD 10
500	<b>SMT13K500PBS</b>	NJ3	51.50	43.40	66.00	4460	F	SCD 10
750	<b>SMT13K750PBS</b>	NJ6	64.00	51.40	71.00	6260	F	SCD 10

\*WALL MOUNTING KIT AND/OR DRIP PLATE KIT REQUIRED. REFER TO PAGES 276 TO 277 FOR DETAILS.

600 Delta Primary Volts

480Y/277 Secondary Volts

60 Hz

kVA	Catalog Number	Case Style (Pages 264 - 272)	Approx. Dimensions (Inches)			Approx. Weight (Lbs.)	Mtg Type W - Wall F - Floor	Wiring Diagram (Pages 281 - 296)
			Width	Depth	Height			
15	<b>Only available in copper. Please see SMT13K015PKKN on page 201 for details.</b>							
30	<b>SMT13K030PKS</b>	NH6	23.90	25.00	28.75	350	F or W *	SCD 9
45	<b>SMT13K045PKS</b>	NH3	26.00	25.00	38.00	460	F or W *	SCD 9
75	<b>SMT13K075PKS</b>	NH4	32.00	29.50	41.00	650	F	SCD 9
112.5	<b>SMT13K112PKS</b>	NH4	32.00	29.50	41.00	960	F	SCD 9
150	<b>SMT13K150PKS</b>	NH4	32.00	29.50	41.00	1210	F	SCD 9
225	<b>SMT13K225PKS</b>	NJ1	39.50	34.00	51.50	1970	F	SCD 9
300	<b>SMT13K300PKS</b>	NJ2	48.50	38.40	59.00	2590	F	SCD 10
500	<b>SMT13K500PKS</b>	NJ3	51.50	43.40	66.00	4460	F	SCD 10
750	<b>SMT13K750PKS</b>	NJ6	64.00	51.40	71.00	6260	F	SCD 10

\*WALL MOUNTING KIT AND/OR DRIP PLATE KIT REQUIRED. REFER TO PAGES 276 TO 277 FOR DETAILS.





## COPPER WOUND, SHIELDED, THREE PHASE K-FACTOR 13



208 Delta Primary Volts

208Y/120 Secondary Volts

60 Hz

kVA	Catalog Number	Case Style (Pages 264 - 272)	Approx. Dimensions (Inches)			Approx. Weight (Lbs.)	Mtg Type W - Wall F - Floor	Wiring Diagram (Pages 281 - 296)
			Width	Depth	Height			
15	SMT13K015BBKN	NH5	19.40	20.20	21.50	250	F or W *	SCD 19
30	SMT13K030BBKN	NH6	23.90	25.00	28.75	390	F or W *	SCD 19
45	SMT13K045BBK	NH6	23.90	25.00	28.75	460	F or W *	SCD 19
75	SMT13K075BBK	NH3	26.00	25.00	38.00	660	F or W *	SCD 19
112.5	SMT13K112BBK	NH4	32.00	29.50	41.00	1000	F	SCD 19
150	SMT13K150BBK	NH4	32.00	29.50	41.00	1250	F	SCD 19
225	SMT13K225BBK	NJ1	39.50	34.00	51.50	1960	F	SCD 19
300	SMT13K300BBK	NJ2	48.50	38.40	59.00	2470	F	SCD 20
500	SMT13K500BBK	NJ3	51.50	43.40	66.00	3930	F	SCD 20
750	SMT13K750BBK	NJ6	64.00	57.40	71.00	5750	F	SCD20

\*WALL MOUNTING KIT AND/OR DRIP PLATE KIT REQUIRED. REFER TO PAGES 276 TO 277 FOR DETAILS.

208 Delta Primary Volts

480Y/277 Secondary Volts

60 Hz

kVA	Catalog Number	Case Style (Pages 264 - 272)	Approx. Dimensions (Inches)			Approx. Weight (Lbs.)	Mtg Type W - Wall F - Floor	Wiring Diagram (Pages 281 - 296)
			Width	Depth	Height			
15	SMT13K015BKKN	NH5	19.40	20.20	21.50	250	F or W *	SCD 19
30	SMT13K030BKKN	NH6	23.90	25.00	28.75	390	F or W *	SCD 19
45	SMT13K045BKK	NH6	23.90	25.00	28.75	460	F or W *	SCD 19
75	SMT13K075BKK	NH3	26.00	25.00	38.00	660	F or W *	SCD 19
112.5	SMT13K112BKK	NH4	32.00	29.50	41.00	1000	F	SCD 19
150	SMT13K150BKK	NH4	32.00	29.50	41.00	1250	F	SCD 19
225	SMT13K225BKK	NJ1	39.50	34.00	51.50	1960	F	SCD 19
300	SMT13K300BKK	NJ2	48.50	38.40	59.00	2470	F	SCD 20
500	SMT13K500BKK	NJ3	51.50	43.40	66.00	3930	F	SCD 20
750	SMT13K750BKK	NJ6	64.00	57.40	71.00	5750	F	SCD20

\*WALL MOUNTING KIT AND/OR DRIP PLATE KIT REQUIRED. REFER TO PAGES 276 TO 277 FOR DETAILS.

480 Delta Primary Volts

208Y/120 Secondary Volts

60 Hz

kVA	Catalog Number	Case Style (Pages 264 - 272)	Approx. Dimensions (Inches)			Approx. Weight (Lbs.)	Mtg Type W - Wall F - Floor	Wiring Diagram (Pages 281 - 296)
			Width	Depth	Height			
15	SMT13K015KBKN	NH5	19.40	20.20	21.50	278	F or W *	SCD 19
30	SMT13K030KBKN	NH6	23.90	25.00	28.75	436	F or W *	SCD 19
45	SMT13K045KBK	NH6	23.90	25.00	28.75	498	F or W *	SCD 19
75	SMT13K075KBK	NH3	26.00	25.00	38.00	736	F or W *	SCD 19
112.5	SMT13K112KBK	NH4	32.00	29.50	41.00	1060	F	SCD 19
150	SMT13K150KBK	NH4	32.00	29.50	41.00	1371	F	SCD 19
225	SMT13K225KBK	NJ1	39.50	34.00	51.50	2167	F	SCD 19
300	SMT13K300KBK	NJ2	48.50	38.40	59.00	2848	F	SCD 20
500	SMT13K500KBK	NJ3	51.50	43.40	66.00	4942	F	SCD 20
750	SMT13K750KBK	NJ6	64.00	57.40	71.00	5750	F	SCD20

\*WALL MOUNTING KIT AND/OR DRIP PLATE KIT REQUIRED. REFER TO PAGES 276 TO 277 FOR DETAILS.



## COPPER WOUND, SHIELDED, THREE PHASE K-FACTOR 13



480 Delta Primary Volts

480Y/277 Secondary Volts

60 Hz

kVA	Catalog Number	Case Style (Pages 264 - 272)	Approx. Dimensions (Inches)			Approx. Weight (Lbs.)	Mtg Type W - Wall F - Floor	Wiring Diagram (Pages 281 - 296)
			Width	Depth	Height			
15	SMT13K015KKN	NH5	19.40	20.20	21.50	250	F or W *	SCD 19
30	SMT13K030KKN	NH6	23.90	25.00	28.75	390	F or W *	SCD 19
45	SMT13K045KKN	NH6	23.90	25.00	28.75	460	F or W *	SCD 19
75	SMT13K075KKN	NH3	26.00	25.00	38.00	660	F or W *	SCD 19
112.5	SMT13K112KKN	NH4	32.00	29.50	41.00	1000	F	SCD 19
150	SMT13K150KKN	NH4	32.00	29.50	41.00	1250	F	SCD 19
225	SMT13K225KKN	NJ1	39.50	34.00	51.50	1960	F	SCD 19
300	SMT13K300KKN	NJ2	48.50	38.40	59.00	2470	F	SCD 20
500	SMT13K500KKN	NJ3	51.50	43.40	66.00	3930	F	SCD 20
750	SMT13K750KKN	NJ6	64.00	57.40	71.00	5750	F	SCD20

\*WALL MOUNTING KIT AND/OR DRIP PLATE KIT REQUIRED. REFER TO PAGES 276 TO 277 FOR DETAILS.

600 Delta Primary Volts

208Y/120 Secondary Volts

60 Hz

kVA	Catalog Number	Case Style (Pages 264 - 272)	Approx. Dimensions (Inches)			Approx. Weight (Lbs.)	Mtg Type W - Wall F - Floor	Wiring Diagram (Pages 281 - 296)
			Width	Depth	Height			
15	SMT13K015PBKN	NH5	19.40	20.20	21.50	250	F or W *	SCD 19
30	SMT13K030PBKN	NH6	23.90	25.00	28.75	390	F or W *	SCD 19
45	SMT13K045PBKN	NH6	23.90	25.00	28.75	460	F or W *	SCD 19
75	SMT13K075PBKN	NH3	26.00	25.00	38.00	660	F or W *	SCD 19
112.5	SMT13K112PBKN	NH4	32.00	29.50	41.00	1000	F	SCD 19
150	SMT13K150PBKN	NH4	32.00	29.50	41.00	1250	F	SCD 19
225	SMT13K225PBKN	NJ1	39.50	34.00	51.50	1960	F	SCD 19
300	SMT13K300PBKN	NJ2	48.50	38.40	59.00	2470	F	SCD 20
500	SMT13K500PBKN	NJ3	51.50	43.40	66.00	3930	F	SCD 20
750	SMT13K750PBKN	NJ6	64.00	57.40	71.00	5750	F	SCD20

\*WALL MOUNTING KIT AND/OR DRIP PLATE KIT REQUIRED. REFER TO PAGES 276 TO 277 FOR DETAILS.

600 Delta Primary Volts

480Y/277 Secondary Volts

60 Hz

kVA	Catalog Number	Case Style (Pages 264 - 272)	Approx. Dimensions (Inches)			Approx. Weight (Lbs.)	Mtg Type W - Wall F - Floor	Wiring Diagram (Pages 281 - 296)
			Width	Depth	Height			
15	SMT13K015PKKN	NH5	19.40	20.20	21.50	250	F or W *	SCD 19
30	SMT13K030PKKN	NH6	23.90	25.00	28.75	390	F or W *	SCD 19
45	SMT13K045PKKN	NH6	23.90	25.00	28.75	460	F or W *	SCD 19
75	SMT13K075PKKN	NH3	26.00	25.00	38.00	660	F or W *	SCD 19
112.5	SMT13K112PKKN	NH4	32.00	29.50	41.00	1000	F	SCD 19
150	SMT13K150PKKN	NH4	32.00	29.50	41.00	1250	F	SCD 19
225	SMT13K225PKKN	NJ1	39.50	34.00	51.50	1960	F	SCD 19
300	SMT13K300PKKN	NJ2	48.50	38.40	59.00	2470	F	SCD 20
500	SMT13K500PKKN	NJ3	51.50	43.40	66.00	3930	F	SCD 20
750	SMT13K750PKKN	NJ6	64.00	57.40	71.00	5750	F	SCD20

\*WALL MOUNTING KIT AND/OR DRIP PLATE KIT REQUIRED. REFER TO PAGES 276 TO 277 FOR DETAILS.



# HPS CENTURION® Series

## 600V CLASS HARMONIC MITIGATING TRANSFORMERS

The HPS Centurion Energy Efficient, Harmonic Mitigating Transformers with zero sequence flux cancellation technology is specifically designed to treat the harmonics generated by computer equipment and other non-linear, power electronic loads.

Harmonic mitigating transformers are superior to K-Rated and conventional transformers in reducing voltage distortion (flat-topping) and power losses due to current harmonics created by single-phase, non-linear loads such as computer equipment. Secondary windings are designed to cancel zero sequence fluxes and eliminate primary winding circulating currents. They treat zero sequence harmonics (3rd, 9th and 15th) within the secondary windings and 5th and 7th harmonics upstream with an appropriate phase shift.



### Dual Output Option

Dual output, phase shifting HMT provides extremely low output voltage distortion and input current distortion even under severe non-linear loading conditions (Data Centers, Internet Service Providers, Telecom Sites, Broadcasting Studios, etc). Combining zero sequence flux cancellation with phase shifting treats 3rd, 5th, 7th, 9th, 15th, 17th and 19th harmonics within its secondary windings.

### HPS Centurion Series Harmonic Mitigating Transformer:

- Prevents voltage flat-topping caused by non-linear loads
- Reduces upstream harmonic currents
- Eliminates transformer overheating and high operating temperatures
- Eliminates primary winding circulating current
- Saves energy by reducing harmonic losses
- Maintains high energy efficiency even under non-linear loading conditions
- Electrostatic shielding for high frequency noise attenuation
- Lowers voltage distortion to prevent premature equipment failure
- Restores ride-through capability of computer equipment
- Treats power quality harmonic issues which K-rated transformers do not address
- Suitable for high K-factor loads
- Reduces current distortion at UPS, generator or Utility service
- Improves Upstream Total Power Factor

# HPS CENTURION®

## 600 VOLT CLASS ENERGY EFFICIENT HARMONIC MITIGATING TRANSFORMERS

### Harmonic Mitigating Transformer Efficiencies:

The HPS Centurion energy efficient harmonic mitigating transformer with zero sequence flux cancellation technology is specifically designed to treat the harmonics generated by computer equipment and other non-linear, power electronic loads.

Combining zero sequence flux cancellation with phase shifting treats 3rd, 5th, 7th, 9th, 15th, 17th and 19th, harmonics within its secondary windings. Typical applications of severe non-linear loading conditions include data centers, internet-service providers, telecom sites, call centers, broadcast centers, etc.

#### **HPS CENTURION (PART NUMBER PREFIX H1EM OR H2EM)**

- Meets **DOE 10 CFR Part 431 and C802.2** efficiencies at an operating range from **35% to 65%** of rated linear load.
- Meets **DOE 10 CFR Part 431 and C802.2** efficiency standards when measured under a **non-linear** load profile up to **K20** in an operating range from **35% to 50%**.
- Copper & aluminum Available.



# HPS Centurion®

## 600V CLASS ENERGY EFFICIENT HARMONIC MITIGATING TRANSFORMERS

### THREE PHASE STANDARD SPECIFICATIONS



15 to 45 kVA



75 TO 750 KVA



	15 to 45 kVA	75 to 750 kVA
<b>Efficiency</b>	Meets DOE 10 CFR Part 431 and C802.2 efficiencies at an operating range from 35% to 65% of rated linear load. Meets DOE 10 CFR Part 431 and C802.2 efficiency standards when measured under a non-linear load profile up to K20 in an operating range from 35% to 50%.	
<b>UL Listed</b>	File: E112313	File: E112313
<b>CSA Certified</b>	File: LR3902	File: LR3902
<b>Frequency</b>	60 Hz	60 Hz
<b>Insulation System</b>	220°C (150°C rise) 200°C (130°C rise) on 15 & 30kVA copper (optional 115°C and 80°C rise available)	220°C (150°C rise) (optional 115°C and 80°C rise available)
<b>Electrostatic Shield</b>	60dB Common Mode - typical	60dB Common Mode - typical
<b>Enclosure Type</b>	Heavy duty ventilated type 3R Optional type 4, 4X (stainless steel) and 12	Heavy duty ventilated type 3R Optional type 4, 4X (stainless steel) and 12
<b>Enclosure Finish</b>	ANSI 61 Grey, UL50	ANSI 61 Grey, UL50
<b>Neutral</b>	Neutral terminal for field connection (on applicable units).	Neutral terminal for field connection (on applicable units).
<b>Standard Primary Taps</b>	Refer to wiring diagrams for details.	Refer to wiring diagrams for details.
<b>Termination</b>	Front accessible separate high and low voltage terminals; connectors suitable for aluminum and copper are provided for easy cable installation.	Front accessible separate high and low voltage terminals; connectors suitable for aluminum and copper are provided for easy cable installation.
<b>Conduit Knock-Outs</b>	Standard on all units (no knock-outs on Stainless Steel enclosures).	Standard on 75 kVA & 150 kVA units (no knock-outs on Stainless Steel enclosures).
<b>Impedance</b>	Typically 2.5% to 6.5%	Typically 2.5% to 6.5%
<b>Mounting</b>	Floor or wall/ceiling mounting available. Refer to selection tables for details.	Floor or wall/ceiling mounting available. Refer to selection tables for details.
<b>Sound level</b>	Meets NEMA ST-20 standards. <b>(Optional low noise units available)</b>	Meets NEMA ST-20 standards. <b>(Optional low noise units available)</b>

\* Optional TVSS available. Dual Output option also available. Features as listed above may differ. Contact sales for more details.





## ALUMINUM WOUND, THREE PHASE, SHIELDED 0° PHASE SHIFT

208 Delta Primary Volts

208Y/120 Secondary Volts

60 Hz

kVA	Catalog Number	Case Style (Pages 264 - 272)	Approx. Dimensions (Inches)			Approx. Weight (Lbs.)	Mtg Type W - Wall F - Floor	Wiring Diagram (Pages 281 - 296)
			Width	Depth	Height			
15	H1EM015BB00S	NH5	19.40	20.20	21.50	220	F or W *	SCD 35
30	H1EM030BB00S	NH6	23.90	25.00	28.75	320	F or W *	SCD 35
45	H1EM045BB00S	NH6	23.90	25.00	28.75	430	F or W *	SCD 35
75	H1EM075BB00S	NH3	26.00	25.00	38.00	640	F or W *	SCD 35
112.5	H1EM112BB00S	NH4	32.00	29.50	41.00	920	F	SCD 35
150	H1EM150BB00S	NH4	32.00	29.50	41.00	1100	F	SCD 35
225	H1EM225BB00S	NJ1	39.50	34.00	51.50	1575	F	SCD 35
300	H1EM300BB00S	NJ2	48.50	38.40	59.00	1830	F	SCD 35
500	H1EM500BB00S	NJ3	51.50	43.40	66.00	2700	F	SCD 35
750	H1EM750BB00S	NJ3	51.50	43.40	66.00	3800	F	SCD 35

\*WALL MOUNTING KIT AND/OR DRIP PLATE KIT REQUIRED.  
REFER TO PAGES 276 TO 277 FOR DETAILS.

208 Delta Primary Volts

480Y/277 Secondary Volts

60 Hz

kVA	Catalog Number	Case Style (Pages 264 - 272)	Approx. Dimensions (Inches)			Approx. Weight (Lbs.)	Mtg Type W - Wall F - Floor	Wiring Diagram (Pages 281 - 296)
			Width	Depth	Height			
15	H1EM015BK00S	NH5	19.40	20.20	21.50	220	F or W *	SCD 35
30	H1EM030BK00S	NH6	23.90	25.00	28.75	320	F or W *	SCD 35
45	H1EM045BK00S	NH6	23.90	25.00	28.75	430	F or W *	SCD 35
75	H1EM075BK00S	NH3	26.00	25.00	38.00	640	F or W *	SCD 35
112.5	H1EM112BK00S	NH4	32.00	29.50	41.00	920	F	SCD 35
150	H1EM150BK00S	NH4	32.00	29.50	41.00	1100	F	SCD 35
225	H1EM225BK00S	NJ1	39.50	34.00	51.50	1575	F	SCD 35
300	H1EM300BK00S	NJ2	48.50	38.40	59.00	1830	F	SCD 35
500	H1EM500BK00S	NJ3	51.50	43.40	66.00	2700	F	SCD 35
750	H1EM750BK00S	NJ3	51.50	43.40	66.00	3800	F	SCD 35

\*WALL MOUNTING KIT AND/OR DRIP PLATE KIT REQUIRED.  
REFER TO PAGES 276 TO 277 FOR DETAILS.

480 Delta Primary Volts

208Y/120 Secondary Volts

60 Hz

kVA	Catalog Number	Case Style (Pages 264 - 272)	Approx. Dimensions (Inches)			Approx. Weight (Lbs.)	Mtg Type W - Wall F - Floor	Wiring Diagram (Pages 281 - 296)
			Width	Depth	Height			
15	H1EM015KB00S	NH5	19.40	20.20	21.50	220	F or W *	SCD 35
30	H1EM030KB00S	NH6	23.90	25.00	28.75	320	F or W *	SCD 35
45	H1EM045KB00S	NH6	23.90	25.00	28.75	430	F or W *	SCD 35
75	H1EM075KB00S	NH3	26.00	25.00	38.00	640	F or W *	SCD 35
112.5	H1EM112KB00S	NH4	32.00	29.50	41.00	920	F	SCD 35
150	H1EM150KB00S	NH4	32.00	29.50	41.00	1100	F	SCD 35
225	H1EM225KB00S	NJ1	39.50	34.00	51.50	1575	F	SCD 35
300	H1EM300KB00S	NJ2	48.50	38.40	59.00	1830	F	SCD 35
500	H1EM500KB00S	NJ3	51.50	43.40	66.00	2700	F	SCD 35
750	H1EM750KB00S	NJ3	51.50	43.40	66.00	3800	F	SCD 35

\*WALL MOUNTING KIT AND/OR DRIP PLATE KIT REQUIRED.  
REFER TO PAGES 276 TO 277 FOR DETAILS.





## ALUMINUM WOUND, THREE PHASE, SHIELDED 0° PHASE SHIFT

480 Delta Primary Volts

480Y/277 Secondary Volts

60 Hz

kVA	Catalog Number	Case Style (Pages 264 - 272)	Approx. Dimensions (Inches)			Approx. Weight (Lbs.)	Mtg Type W - Wall F - Floor	Wiring Diagram (Pages 281 - 296)
			Width	Depth	Height			
15	H1EM015KK00S	NH5	19.40	20.20	21.50	220	F or W *	SCD 35
30	H1EM030KK00S	NH6	23.90	25.00	28.75	320	F or W *	SCD 35
45	H1EM045KK00S	NH6	23.90	25.00	28.75	430	F or W *	SCD 35
75	H1EM075KK00S	NH3	26.00	25.00	38.00	640	F or W *	SCD 35
112.5	H1EM112KK00S	NH4	32.00	29.50	41.00	920	F	SCD 35
150	H1EM150KK00S	NH4	32.00	29.50	41.00	1100	F	SCD 35
225	H1EM225KK00S	NJ1	39.50	34.00	51.50	1575	F	SCD 35
300	H1EM300KK00S	NJ2	48.50	38.40	59.00	1830	F	SCD 35
500	H1EM500KK00S	NJ3	51.50	43.40	66.00	2700	F	SCD 35
750	H1EM750KK00S	NJ3	51.50	43.40	66.00	3800	F	SCD 35

\*WALL MOUNTING KIT AND/OR DRIP PLATE KIT REQUIRED.  
REFER TO PAGES 276 TO 277 FOR DETAILS.

600 Delta Primary Volts

208Y/120 Secondary Volts

60 Hz

kVA	Catalog Number	Case Style (Pages 264 - 272)	Approx. Dimensions (Inches)			Approx. Weight (Lbs.)	Mtg Type W - Wall F - Floor	Wiring Diagram (Pages 281 - 296)
			Width	Depth	Height			
15	H1EM015PB00S	NH5	19.40	20.20	21.50	220	F or W *	SCD 35
30	H1EM030PB00S	NH6	23.90	25.00	28.75	320	F or W *	SCD 35
45	H1EM045PB00S	NH6	23.90	25.00	28.75	430	F or W *	SCD 35
75	H1EM075PB00S	NH3	26.00	25.00	38.00	640	F or W *	SCD 35
112.5	H1EM112PB00S	NH4	32.00	29.50	41.00	920	F	SCD 35
150	H1EM150PB00S	NH4	32.00	29.50	41.00	1100	F	SCD 35
225	H1EM225PB00S	NJ1	39.50	34.00	51.50	1575	F	SCD 35
300	H1EM300PB00S	NJ2	48.50	38.40	59.00	1830	F	SCD 35
500	H1EM500PB00S	NJ3	51.50	43.40	66.00	2700	F	SCD 35
750	H1EM750PB00S	NJ3	51.50	43.40	66.00	3800	F	SCD 35

\*WALL MOUNTING KIT AND/OR DRIP PLATE KIT REQUIRED.  
REFER TO PAGES 276 TO 277 FOR DETAILS.

600 Delta Primary Volts

480Y/277 Secondary Volts

60 Hz

kVA	Catalog Number	Case Style (Pages 264 - 272)	Approx. Dimensions (Inches)			Approx. Weight (Lbs.)	Mtg Type W - Wall F - Floor	Wiring Diagram (Pages 281 - 296)
			Width	Depth	Height			
15	H1EM015PK00S	NH5	19.40	20.20	21.50	220	F or W *	SCD 35
30	H1EM030PK00S	NH6	23.90	25.00	28.75	320	F or W *	SCD 35
45	H1EM045PK00S	NH6	23.90	25.00	28.75	430	F or W *	SCD 35
75	H1EM075PK00S	NH3	26.00	25.00	38.00	640	F or W *	SCD 35
112.5	H1EM112PK00S	NH4	32.00	29.50	41.00	920	F	SCD 35
150	H1EM150PK00S	NH4	32.00	29.50	41.00	1100	F	SCD 35
225	H1EM225PK00S	NJ1	39.50	34.00	51.50	1575	F	SCD 35
300	H1EM300PK00S	NJ2	48.50	38.40	59.00	1830	F	SCD 35
500	H1EM500PK00S	NJ3	51.50	43.40	66.00	2700	F	SCD 35
750	H1EM750PK00S	NJ3	51.50	43.40	66.00	3800	F	SCD 35

\*WALL MOUNTING KIT AND/OR DRIP PLATE KIT REQUIRED.  
REFER TO PAGES 276 TO 277 FOR DETAILS.





## ALUMINUM WOUND, THREE PHASE, SHIELDED -30° PHASE SHIFT

208 Wye Primary Volts

208Y/120 Secondary Volts

60 Hz

kVA	Catalog Number	Case Style (Pages 264 - 272)	Approx. Dimensions (Inches)			Approx. Weight (Lbs.)	Mtg Type W - Wall F - Floor	Wiring Diagram (Pages 281 - 296)
			Width	Depth	Height			
15	H1EM015BB30S	NH5	19.40	20.20	21.50	220	F or W *	SCD 35
30	H1EM030BB30S	NH6	23.90	25.00	28.75	320	F or W *	SCD 35
45	H1EM045BB30S	NH6	23.90	25.00	28.75	430	F or W *	SCD 35
75	H1EM075BB30S	NH3	26.00	25.00	38.00	640	F or W *	SCD 35
112.5	H1EM112BB30S	NH4	32.00	29.50	41.00	920	F	SCD 35
150	H1EM150BB30S	NH4	32.00	29.50	41.00	1100	F	SCD 35
225	H1EM225BB30S	NJ1	39.50	34.00	51.50	1575	F	SCD 35
300	H1EM300BB30S	NJ2	48.50	38.40	59.00	1830	F	SCD 35
500	H1EM500BB30S	NJ3	51.50	43.40	66.00	2700	F	SCD 35
750	H1EM750BB30S	NJ3	51.50	43.40	66.00	3800	F	SCD 35

\*WALL MOUNTING KIT AND/OR DRIP PLATE KIT REQUIRED.  
REFER TO PAGES 276 TO 277 FOR DETAILS.

208 Wye Primary Volts

480Y/277 Secondary Volts

60 Hz

kVA	Catalog Number	Case Style (Pages 264 - 272)	Approx. Dimensions (Inches)			Approx. Weight (Lbs.)	Mtg Type W - Wall F - Floor	Wiring Diagram (Pages 281 - 296)
			Width	Depth	Height			
15	H1EM015BK30S	NH5	19.40	20.20	21.50	220	F or W *	SCD 35
30	H1EM030BK30S	NH6	23.90	25.00	28.75	320	F or W *	SCD 35
45	H1EM045BK30S	NH6	23.90	25.00	28.75	430	F or W *	SCD 35
75	H1EM075BK30S	NH3	26.00	25.00	38.00	640	F or W *	SCD 35
112.5	H1EM112BK30S	NH4	32.00	29.50	41.00	920	F	SCD 35
150	H1EM150BK30S	NH4	32.00	29.50	41.00	1100	F	SCD 35
225	H1EM225BK30S	NJ1	39.50	34.00	51.50	1575	F	SCD 35
300	H1EM300BK30S	NJ2	48.50	38.40	59.00	1830	F	SCD 35
500	H1EM500BK30S	NJ3	51.50	43.40	66.00	3200	F	SCD 35
750	H1EM750BK30S	NJ3	51.50	43.40	66.00	3800	F	SCD 35

\*WALL MOUNTING KIT AND/OR DRIP PLATE KIT REQUIRED.  
REFER TO PAGES 276 TO 277 FOR DETAILS.

480 Wye Primary Volts

208Y/120 Secondary Volts

60 Hz

kVA	Catalog Number	Case Style (Pages 264 - 272)	Approx. Dimensions (Inches)			Approx. Weight (Lbs.)	Mtg Type W - Wall F - Floor	Wiring Diagram (Pages 281 - 296)
			Width	Depth	Height			
15	H1EM015KB30S	NH5	19.40	20.20	21.50	220	F or W *	SCD 35
30	H1EM030KB30S	NH6	23.90	25.00	28.75	320	F or W *	SCD 35
45	H1EM045KB30S	NH6	23.90	25.00	28.75	430	F or W *	SCD 35
75	H1EM075KB30S	NH3	26.00	25.00	38.00	640	F or W *	SCD 35
112.5	H1EM112KB30S	NH4	32.00	29.50	41.00	920	F	SCD 35
150	H1EM150KB30S	NH4	32.00	29.50	41.00	1100	F	SCD 35
225	H1EM225KB30S	NJ1	39.50	34.00	51.50	1575	F	SCD 35
300	H1EM300KB30S	NJ2	48.50	38.40	59.00	1830	F	SCD 35
500	H1EM500KB30S	NJ3	51.50	43.40	66.00	2700	F	SCD 35
750	H1EM750KB30S	NJ3	51.50	43.40	66.00	3800	F	SCD 35

\*WALL MOUNTING KIT AND/OR DRIP PLATE KIT REQUIRED.  
REFER TO PAGES 276 TO 277 FOR DETAILS.







## ALUMINUM WOUND, THREE PHASE, SHIELDED -30° PHASE SHIFT

480 Wye Primary Volts

480Y/277 Secondary Volts

60 Hz

kVA	Catalog Number	Case Style (Pages 264 - 272)	Approx. Dimensions (Inches)			Approx. Weight (Lbs.)	Mtg Type W - Wall F - Floor	Wiring Diagram (Pages 281 - 296)
			Width	Depth	Height			
15	H1EM015KK30S	NH5	19.40	20.20	21.50	220	F or W *	SCD 35
30	H1EM030KK30S	NH6	23.90	25.00	28.75	320	F or W *	SCD 35
45	H1EM045KK30S	NH6	23.90	25.00	28.75	430	F or W *	SCD 35
75	H1EM075KK30S	NH3	26.00	25.00	38.00	640	F or W *	SCD 35
112.5	H1EM112KK30S	NH4	32.00	29.50	41.00	920	F	SCD 35
150	H1EM150KK30S	NH4	32.00	29.50	41.00	1100	F	SCD 35
225	H1EM225KK30S	NJ1	39.50	34.00	51.50	1575	F	SCD 35
300	H1EM300KK30S	NJ2	48.50	38.40	59.00	1830	F	SCD 35
500	H1EM500KK30S	NJ3	51.50	43.40	66.00	2700	F	SCD 35
750	H1EM750KK30S	NJ3	51.50	43.40	66.00	3800	F	SCD 35

\*WALL MOUNTING KIT AND/OR DRIP PLATE KIT REQUIRED.  
REFER TO PAGES 276 TO 277 FOR DETAILS.

600 Wye Primary Volts

208Y/120 Secondary Volts

60 Hz

kVA	Catalog Number	Case Style (Pages 264 - 272)	Approx. Dimensions (Inches)			Approx. Weight (Lbs.)	Mtg Type W - Wall F - Floor	Wiring Diagram (Pages 281 - 296)
			Width	Depth	Height			
15	H1EM015PB30S	NH5	19.40	20.20	21.50	220	F or W *	SCD 35
30	H1EM030PB30S	NH6	23.90	25.00	28.75	320	F or W *	SCD 35
45	H1EM045PB30S	NH6	23.90	25.00	28.75	430	F or W *	SCD 35
75	H1EM075PB30S	NH3	26.00	25.00	38.00	640	F or W *	SCD 35
112.5	H1EM112PB30S	NH4	32.00	29.50	41.00	920	F	SCD 35
150	H1EM150PB30S	NH4	32.00	29.50	41.00	1100	F	SCD 35
225	H1EM225PB30S	NJ1	39.50	34.00	51.50	1575	F	SCD 35
300	H1EM300PB30S	NJ2	48.50	38.40	59.00	1830	F	SCD 35
500	H1EM500PB30S	NJ3	51.50	43.40	66.00	2700	F	SCD 35
750	H1EM750PB30S	NJ3	51.50	43.40	66.00	3800	F	SCD 35

\*WALL MOUNTING KIT AND/OR DRIP PLATE KIT REQUIRED.  
REFER TO PAGES 275 TO 277 FOR DETAILS.

600 Wye Primary Volts

480Y/277 Secondary Volts

60 Hz

kVA	Catalog Number	Case Style (Pages 264 - 272)	Approx. Dimensions (Inches)			Approx. Weight (Lbs.)	Mtg Type W - Wall F - Floor	Wiring Diagram (Pages 281 - 296)
			Width	Depth	Height			
15	H1EM015PK30S	NH5	19.40	20.20	21.50	220	F or W *	SCD 35
30	H1EM030PK30S	NH6	23.90	25.00	28.75	320	F or W *	SCD 35
45	H1EM045PK30S	NH6	23.90	25.00	28.75	430	F or W *	SCD 35
75	H1EM075PK30S	NH3	26.00	25.00	38.00	640	F or W *	SCD 35
112.5	H1EM112PK30S	NH4	32.00	29.50	41.00	920	F	SCD 35
150	H1EM150PK30S	NH4	32.00	29.50	41.00	1100	F	SCD 35
225	H1EM225PK30S	NJ1	39.50	34.00	51.50	1575	F	SCD 35
300	H1EM300PK30S	NJ2	48.50	38.40	59.00	1830	F	SCD 35
500	H1EM500PK30S	NJ3	51.50	43.40	66.00	2700	F	SCD 35
750	H1EM500PK30S	NJ3	51.50	43.40	66.00	3800	F	SCD 35

\*WALL MOUNTING KIT AND/OR DRIP PLATE KIT REQUIRED.  
REFER TO PAGES 276 TO 277 FOR DETAILS.





## COPPER WOUND, THREE PHASE, SHIELDED 0° PHASE SHIFT

208 Delta Primary Volts

208Y/120 Secondary Volts

60 Hz

kVA	Catalog Number	Case Style (Pages 264 - 272)	Approx. Dimensions (Inches)			Approx. Weight (Lbs.)	Mtg Type W - Wall F - Floor	Wiring Diagram (Pages 281 - 296)
			Width	Depth	Height			
15	H1EM015BB00	NH5	19.40	20.20	21.50	240	F or W *	SCD 35
30	H1EM030BB00	NH6	23.90	25.00	28.75	360	F or W *	SCD 35
45	H1EM045BB00	NH6	23.90	25.00	28.75	465	F or W *	SCD 35
75	H1EM075BB00	NH3	26.00	25.00	38.00	740	F or W *	SCD 35
112.5	H1EM112BB00	NH4	32.00	29.50	41.00	1100	F	SCD 35
150	H1EM150BB00	NH4	32.00	29.50	41.00	1350	F	SCD 35
225	H1EM225BB00	NJ1	39.50	34.00	51.50	1800	F	SCD 35
300	H1EM300BB00	NJ2	48.50	38.40	59.00	2250	F	SCD 35
500	H1EM500BB00	NJ3	51.50	43.40	66.00	3000	F	SCD 35
750	H1EM750BB00	NJ3	51.50	43.40	66.00	4200	F	SCD 35

\*WALL MOUNTING KIT AND/OR DRIP PLATE KIT REQUIRED.  
REFER TO PAGES 276 TO 277 FOR DETAILS.

208 Delta Primary Volts

480Y/277 Secondary Volts

60 Hz

kVA	Catalog Number	Case Style (Pages 264 - 272)	Approx. Dimensions (Inches)			Approx. Weight (Lbs.)	Mtg Type W - Wall F - Floor	Wiring Diagram (Pages 281 - 296)
			Width	Depth	Height			
15	H1EM015BK00	NH5	19.40	20.20	21.50	240	F or W *	SCD 35
30	H1EM030BK00	NH6	23.90	25.00	28.75	360	F or W *	SCD 35
45	H1EM045BK00	NH6	23.90	25.00	28.75	465	F or W *	SCD 35
75	H1EM075BK00	NH3	26.00	25.00	38.00	740	F or W *	SCD 35
112.5	H1EM112BK00	NH4	32.00	29.50	41.00	1100	F	SCD 35
150	H1EM150BK00	NH4	32.00	29.50	41.00	1350	F	SCD 35
225	H1EM225BK00	NJ1	39.50	34.00	51.50	1800	F	SCD 35
300	H1EM300BK00	NJ2	48.50	38.40	59.00	2250	F	SCD 35
500	H1EM500BK00	NJ3	51.50	43.40	66.00	3000	F	SCD 35
750	H1EM750BK00	NJ3	51.50	43.40	66.00	4200	F	SCD 35

\*WALL MOUNTING KIT AND/OR DRIP PLATE KIT REQUIRED.  
REFER TO PAGES 276 TO 277 FOR DETAILS.

480 Delta Primary Volts

208Y/120 Secondary Volts

60 Hz

kVA	Catalog Number	Case Style (Pages 264 - 272)	Approx. Dimensions (Inches)			Approx. Weight (Lbs.)	Mtg Type W - Wall F - Floor	Wiring Diagram (Pages 281 - 296)
			Width	Depth	Height			
15	H1EM015KB00	NH5	19.40	20.20	21.50	240	F or W *	SCD 35
30	H1EM030KB00	NH6	23.90	25.00	28.75	360	F or W *	SCD 35
45	H1EM045KB00	NH6	23.90	25.00	28.75	465	F or W *	SCD 35
75	H1EM075KB00	NH3	26.00	25.00	38.00	740	F or W *	SCD 35
112.5	H1EM112KB00	NH4	32.00	29.50	41.00	1100	F	SCD 35
150	H1EM150KB00	NH4	32.00	29.50	41.00	1350	F	SCD 35
225	H1EM225KB00	NJ1	39.50	34.00	51.50	1800	F	SCD 35
300	H1EM300KB00	NJ2	48.50	38.40	59.00	2250	F	SCD 35
500	H1EM500KB00	NJ3	51.50	43.40	66.00	3000	F	SCD 35
750	H1EM750KB00	NJ3	51.50	43.40	66.00	4200	F	SCD 35

\*WALL MOUNTING KIT AND/OR DRIP PLATE KIT REQUIRED.  
REFER TO PAGES 276 TO 277 FOR DETAILS.



## COPPER WOUND, THREE PHASE, SHIELDED 0° PHASE SHIFT



480 Delta Primary Volts

480Y/277 Secondary Volts

60 Hz

kVA	Catalog Number	Case Style (Pages 264 - 272)	Approx. Dimensions (Inches)			Approx. Weight (Lbs.)	Mtg Type W - Wall F - Floor	Wiring Diagram (Pages 281 - 296)
			Width	Depth	Height			
15	H1EM015KK00	NH5	19.40	20.20	21.50	240	F or W *	SCD 35
30	H1EM030KK00	NH6	23.90	25.00	28.75	360	F or W *	SCD 35
45	H1EM045KK00	NH6	23.90	25.00	28.75	465	F or W *	SCD 35
75	H1EM075KK00	NH3	26.00	25.00	38.00	740	F or W *	SCD 35
112.5	H1EM112KK00	NH4	32.00	29.50	41.00	1100	F	SCD 35
150	H1EM150KK00	NH4	32.00	29.50	41.00	1350	F	SCD 35
225	H1EM225KK00	NJ1	39.50	34.00	51.50	1800	F	SCD 35
300	H1EM300KK00	NJ2	48.50	38.40	59.00	2250	F	SCD 35
500	H1EM500KK00	NJ3	51.50	43.40	66.00	3000	F	SCD 35
750	H1EM750KK00	NJ3	51.50	43.40	66.00	4200	F	SCD 35

\*WALL MOUNTING KIT AND/OR DRIP PLATE KIT REQUIRED. REFER TO PAGES 276 TO 277 FOR DETAILS.

600 Delta Primary Volts

208Y/120 Secondary Volts

60 Hz

kVA	Catalog Number	Case Style (Pages 264 - 272)	Approx. Dimensions (Inches)			Approx. Weight (Lbs.)	Mtg Type W - Wall F - Floor	Wiring Diagram (Pages 281 - 296)
			Width	Depth	Height			
15	H1EM015PB00	NH5	19.40	20.20	21.50	240	F or W *	SCD 35
30	H1EM030PB00	NH6	23.90	25.00	28.75	360	F or W *	SCD 35
45	H1EM045PB00	NH6	23.90	25.00	28.75	465	F or W *	SCD 35
75	H1EM075PB00	NH3	26.00	25.00	38.00	740	F or W *	SCD 35
112.5	H1EM112PB00	NH4	32.00	29.50	41.00	1100	F	SCD 35
150	H1EM150PB00	NH4	32.00	29.50	41.00	1350	F	SCD 35
225	H1EM225PB00	NJ1	39.50	34.00	51.50	1800	F	SCD 35
300	H1EM300PB00	NJ2	48.50	38.40	59.00	2250	F	SCD 35
500	H1EM500PB00	NJ3	51.50	43.40	66.00	3000	F	SCD 35
750	H1EM750PB00	NJ3	51.50	43.40	66.00	4200	F	SCD 35

\*WALL MOUNTING KIT AND/OR DRIP PLATE KIT REQUIRED. REFER TO PAGES 276 TO 277 FOR DETAILS.

600 Delta Primary Volts

480Y/277 Secondary Volts

60 Hz

kVA	Catalog Number	Case Style (Pages 264 - 272)	Approx. Dimensions (Inches)			Approx. Weight (Lbs.)	Mtg Type W - Wall F - Floor	Wiring Diagram (Pages 281 - 296)
			Width	Depth	Height			
15	H1EM015PK00	NH5	19.40	20.20	21.50	240	F or W *	SCD 35
30	H1EM030PK00	NH6	23.90	25.00	28.75	360	F or W *	SCD 35
45	H1EM045PK00	NH6	23.90	25.00	28.75	465	F or W *	SCD 35
75	H1EM075PK00	NH3	26.00	25.00	38.00	740	F or W *	SCD 35
112.5	H1EM112PK00	NH4	32.00	29.50	41.00	1100	F	SCD 35
150	H1EM150PK00	NH4	32.00	29.50	41.00	1350	F	SCD 35
225	H1EM225PK00	NJ1	39.50	34.00	51.50	1800	F	SCD 35
300	H1EM300PK00	NJ2	48.50	38.40	59.00	2250	F	SCD 35
500	H1EM500PK00	NJ3	51.50	43.40	66.00	3000	F	SCD 35
750	H1EM750PK00	NJ3	51.50	43.40	66.00	4200	F	SCD 35

\*WALL MOUNTING KIT AND/OR DRIP PLATE KIT REQUIRED. REFER TO PAGES 276 TO 277 FOR DETAILS.





## COPPER WOUND, THREE PHASE, SHIELDED -30° PHASE SHIFT

208 Wye Primary Volts

208Y/120 Secondary Volts

60 Hz

kVA	Catalog Number	Case Style (Pages 264 - 272)	Approx. Dimensions (Inches)			Approx. Weight (Lbs.)	Mtg Type W - Wall F - Floor	Wiring Diagram (Pages 281 - 296)
			Width	Depth	Height			
15	H1EM015BB30	NH5	19.40	20.20	21.50	240	F or W *	SCD 35
30	H1EM030BB30	NH6	23.90	25.00	28.75	360	F or W *	SCD 35
45	H1EM045BB30	NH6	23.90	25.00	28.75	465	F or W *	SCD 35
75	H1EM075BB30	NH3	26.00	25.00	38.00	740	F or W *	SCD 35
112.5	H1EM112BB30	NH4	32.00	29.50	41.00	1100	F	SCD 35
150	H1EM150BB30	NH4	32.00	29.50	41.00	1350	F	SCD 35
225	H1EM225BB30	NJ1	39.50	34.00	51.50	1800	F	SCD 35
300	H1EM300BB30	NJ2	48.50	38.40	59.00	2250	F	SCD 35
500	H1EM500BB30	NJ3	51.50	43.40	66.00	3000	F	SCD 35
750	H1EM750BB30	NJ3	51.50	43.40	66.00	4200	F	SCD 35

\*WALL MOUNTING KIT AND/OR DRIP PLATE KIT REQUIRED.  
REFER TO PAGES 276 TO 277 FOR DETAILS.

208 Wye Primary Volts

480Y/277 Secondary Volts

60 Hz

kVA	Catalog Number	Case Style (Pages 264 - 272)	Approx. Dimensions (Inches)			Approx. Weight (Lbs.)	Mtg Type W - Wall F - Floor	Wiring Diagram (Pages 281 - 296)
			Width	Depth	Height			
15	H1EM015BK30	NH5	19.40	20.20	21.50	240	F or W *	SCD 35
30	H1EM030BK30	NH6	23.90	25.00	28.75	360	F or W *	SCD 35
45	H1EM045BK30	NH6	23.90	25.00	28.75	465	F or W *	SCD 35
75	H1EM075BK30	NH3	26.00	25.00	38.00	740	F or W *	SCD 35
112.5	H1EM112BK30	NH4	32.00	29.50	41.00	1100	F	SCD 35
150	H1EM150BK30	NH4	32.00	29.50	41.00	1350	F	SCD 35
225	H1EM225BK30	NJ1	39.50	34.00	51.50	1800	F	SCD 35
300	H1EM300BK30	NJ2	48.50	38.40	59.00	2250	F	SCD 35
500	H1EM500BK30	NJ3	51.50	43.40	66.00	3000	F	SCD 35
750	H1EM750BK30	NJ3	51.50	43.40	66.00	4200	F	SCD 35

\*WALL MOUNTING KIT AND/OR DRIP PLATE KIT REQUIRED.  
REFER TO PAGES 276 TO 277 FOR DETAILS.

480 Wye Primary Volts

208Y/120 Secondary Volts

60 Hz

kVA	Catalog Number	Case Style (Pages 264 - 272)	Approx. Dimensions (Inches)			Approx. Weight (Lbs.)	Mtg Type W - Wall F - Floor	Wiring Diagram (Pages 281 - 296)
			Width	Depth	Height			
15	H1EM015KB30	NH5	19.40	20.20	21.50	240	F or W *	SCD 35
30	H1EM030KB30	NH6	23.90	25.00	28.75	360	F or W *	SCD 35
45	H1EM045KB30	NH6	23.90	25.00	28.75	465	F or W *	SCD 35
75	H1EM075KB30	NH3	26.00	25.00	38.00	740	F or W *	SCD 35
112.5	H1EM112KB30	NH4	32.00	29.50	41.00	1100	F	SCD 35
150	H1EM150KB30	NH4	32.00	29.50	41.00	1350	F	SCD 35
225	H1EM225KB30	NJ1	39.50	34.00	51.50	1800	F	SCD 35
300	H1EM300KB30	NJ2	48.50	38.40	59.00	2250	F	SCD 35
500	H1EM500KB30	NJ3	51.50	43.40	66.00	3000	F	SCD 35
750	H1EM750KB30	NJ3	51.50	43.40	66.00	4200	F	SCD 35

\*WALL MOUNTING KIT AND/OR DRIP PLATE KIT REQUIRED.  
REFER TO PAGES 276 TO 277 FOR DETAILS.





## COPPER WOUND, THREE PHASE, SHIELDED -30° PHASE SHIFT

480 Wye Primary Volts

480Y/277 Secondary Volts

60 Hz

kVA	Catalog Number	Case Style (Pages 264 - 272)	Approx. Dimensions (Inches)			Approx. Weight (Lbs.)	Mtg Type W - Wall F - Floor	Wiring Diagram (Pages 281 - 296)
			Width	Depth	Height			
15	H1EM015KK30	NH5	19.40	20.20	21.50	240	F or W *	SCD 35
30	H1EM030KK30	NH6	23.90	25.00	28.75	360	F or W *	SCD 35
45	H1EM045KK30	NH6	23.90	25.00	28.75	465	F or W *	SCD 35
75	H1EM075KK30	NH3	26.00	25.00	38.00	740	F or W *	SCD 35
112.5	H1EM112KK30	NH4	32.00	29.50	41.00	1100	F	SCD 35
150	H1EM150KK30	NH4	32.00	29.50	41.00	1350	F	SCD 35
225	H1EM225KK30	NJ1	39.50	34.00	51.50	1800	F	SCD 35
300	H1EM300KK30	NJ2	48.50	38.40	59.00	2250	F	SCD 35
500	H1EM500KK30	NJ3	51.50	43.40	66.00	3000	F	SCD 35
750	H1EM750KK30	NJ3	51.50	43.40	66.00	4200	F	SCD 35

\*WALL MOUNTING KIT AND/OR DRIP PLATE KIT REQUIRED.  
REFER TO PAGES 276 TO 277 FOR DETAILS.

600 Wye Primary Volts

208Y/120 Secondary Volts

60 Hz

kVA	Catalog Number	Case Style (Pages 264 - 272)	Approx. Dimensions (Inches)			Approx. Weight (Lbs.)	Mtg Type W - Wall F - Floor	Wiring Diagram (Pages 281 - 296)
			Width	Depth	Height			
15	H1EM015PB30	NH5	19.40	20.20	21.50	240	F or W *	SCD 35
30	H1EM030PB30	NH6	23.90	25.00	28.75	360	F or W *	SCD 35
45	H1EM045PB30	NH6	23.90	25.00	28.75	465	F or W *	SCD 35
75	H1EM075PB30	NH3	26.00	25.00	38.00	740	F or W *	SCD 35
112.5	H1EM112PB30	NH4	32.00	29.50	41.00	1100	F	SCD 35
150	H1EM150PB30	NH4	32.00	29.50	41.00	1350	F	SCD 35
225	H1EM225PB30	NJ1	39.50	34.00	51.50	1800	F	SCD 35
300	H1EM300PB30	NJ2	48.50	38.40	59.00	2250	F	SCD 35
500	H1EM500PB30	NJ3	51.50	43.40	66.00	3000	F	SCD 35
750	H1EM750PB30	NJ3	51.50	43.40	66.00	4200	F	SCD 35

\*WALL MOUNTING KIT AND/OR DRIP PLATE KIT REQUIRED.  
REFER TO PAGES 276 TO 277 FOR DETAILS.

600 Wye Primary Volts

480Y/277 Secondary Volts

60 Hz

kVA	Catalog Number	Case Style (Pages 264 - 272)	Approx. Dimensions (Inches)			Approx. Weight (Lbs.)	Mtg Type W - Wall F - Floor	Wiring Diagram (Pages 281 - 296)
			Width	Depth	Height			
15	H1EM015PK30	NH5	19.40	20.20	21.50	240	F or W *	SCD 35
30	H1EM030PK30	NH6	23.90	25.00	28.75	360	F or W *	SCD 35
45	H1EM045PK30	NH6	23.90	25.00	28.75	465	F or W *	SCD 35
75	H1EM075PK30	NH3	26.00	25.00	38.00	740	F or W *	SCD 35
112.5	H1EM112PK30	NH4	32.00	29.50	41.00	1100	F	SCD 35
150	H1EM150PK30	NH4	32.00	29.50	41.00	1350	F	SCD 35
225	H1EM225PK30	NJ1	39.50	34.00	51.50	1800	F	SCD 35
300	H1EM300PK30	NJ2	48.50	38.40	59.00	2250	F	SCD 35
500	H1EM500PK30	NJ3	51.50	43.40	66.00	3000	F	SCD 35
750	H1EM750PK30	NJ3	51.50	43.40	66.00	4200	F	SCD 35

\*WALL MOUNTING KIT AND/OR DRIP PLATE KIT REQUIRED.  
REFER TO PAGES 276 TO 277 FOR DETAILS.





## HPS SUPERCENTURION®

### 600 VOLT CLASS ENERGY EFFICIENT HARMONIC MITIGATING TRANSFORMERS

#### Harmonic Mitigating Transformer Efficiencies:

The HPS Centurion energy efficient harmonic mitigating transformer with zero sequence flux cancellation technology is specifically designed to treat the harmonics generated by computer equipment and other non-linear, power electronic loads. Combining zero sequence flux cancellation with phase shifting treats 3rd, 5th, 7th, 9th, 15th, 17th and 19th, harmonics within its secondary windings. Typical applications of severe non-linear loading conditions include data centers, internet-service providers, telecom sites, call centers, broadcast centers, etc.

#### **HPS SuperCENTURION (PART NUMBER PREFIX S1EM OR S2EM)**

- Exceeds DOE 10 CFR Part 431 and C802.2 efficiencies at 35% of rated load.
- Efficiency performance will meet the NEMA Premium® guidelines; 30% lower losses than DOE 10 CFR Part 431 and (if applicable) C802.2 efficiency standards; when measured under a linear load profile.
- Efficiencies will exceed DOE 10 CFR Part 431 and (if applicable) C802.2 efficiency standards; at an operating range from 35% to 65% of rated load when measured under a non-linear load profile up to K20.
- Copper & aluminum available.



**HPS SUPERCENTURION®**  
**600 VOLT CLASS ENERGY EFFICIENT**  
**HARMONIC MITIGATING TRANSFORMERS**



THREE PHASE STANDARD SPECIFICATIONS

15 to 45 kVA

75 TO 750 KVA



	15 to 45 kVA	75 to 750 kVA
<b>Efficiency</b>	Efficiency performance will meet the <b>NEMA Premium®</b> guidelines; <b>30% lower losses</b> than DOE 10 CFR Part 431 and (if applicable) C802.2 efficiency standards; when measured under a linear load profile. Efficiencies will exceed DOE 10 CFR Part 431 and (if applicable) C802.2 efficiency standards; at an operating range from <b>35% to 65%</b> of rated load when measured under a <b>non-linear</b> load profile up to <b>K20</b> .	
<b>UL Listed</b>	File: E112313	File: E112313
<b>CSA Certified</b>	File: LR3902	File: LR3902
<b>Frequency</b>	60 Hz	60 Hz
<b>Insulation System</b>	220°C (150°C rise) 200°C (130°C rise) on 15 & 30kVA copper (optional 115°C and 80°C rise available)	220°C (150°C rise) (optional 115°C and 80°C rise available)
<b>Electrostatic Shield</b>	60dB Common Mode - typical	60dB Common Mode - typical
<b>Enclosure Type</b>	Heavy duty ventilated type 3R Optional type 4, 4X (stainless steel) and 12.	Heavy duty ventilated type 3R Optional type 4, 4X (stainless steel) and 12.
<b>Enclosure Finish</b>	ANSI 61 Grey, UL50	ANSI 61 Grey, UL50
<b>Neutral</b>	Neutral terminal for field connection (on applicable units).	Neutral terminal for field connection (on applicable units).
<b>Standard Primary Taps</b>	Refer to wiring diagrams for details.	Refer to wiring diagrams for details.
<b>Termination</b>	Front accessible separate high and low voltage terminals; connectors suitable for aluminum and copper are provided for easy cable installation.	Front accessible separate high and low voltage terminals; connectors suitable for aluminum and copper are provided for easy cable installation.
<b>Conduit Knock-Outs</b>	Standard on all units (no knock-outs on Stainless Steel enclosures).	Standard on 75 kVA & 150 kVA units (no knock-outs on Stainless Steel enclosures).
<b>Impedance</b>	Typically 2.5% to 6.5%	Typically 2.5% to 6.5%
<b>Mounting</b>	Floor or wall/ceiling mounting available. Refer to selection tables for details.	Floor or wall/ceiling mounting available. Refer to selection tables for details.
<b>Sound level</b>	Meets NEMA ST-20 standards. (Optional low noise units available)	Meets NEMA ST-20 standards. (Optional low noise units available)

\* Optional TVSS available. Dual Output option also available. Features as listed above may differ. Contact sales for more details.



## ALUMINUM WOUND, THREE PHASE, SHIELDED, 0° PHASE SHIFT



208 Delta Primary Volts

208Y/120 Secondary Volts

60 Hz

kVA	Catalog Number	Case Style (Pages 264 - 272)	Approx. Dimensions (Inches)			Approx. Weight (Lbs.)	Mtg Type W - Wall F - Floor	Wiring Diagram (Pages 281 - 296)
			Width	Depth	Height			
15	<b>S1EM015BB00S</b>	NH5	19.40	20.20	21.50	250	F or W *	SCD 35
30	<b>S1EM030BB00S</b>	NH6	23.90	25.00	28.75	350	F or W *	SCD 35
45	<b>S1EM045BB00S</b>	NH3	26.00	25.00	38.00	460	F or W *	SCD 35
75	<b>S1EM075BB00S</b>	NH4	32.00	29.50	41.00	650	F	SCD 35
112.5	<b>S1EM112BB00S</b>	NH4	32.00	29.50	41.00	960	F	SCD 35
150	<b>S1EM150BB00S</b>	NH4	32.00	29.50	41.00	1210	F	SCD 35
225	<b>S1EM225BB00S</b>	NJ2	48.50	38.40	59.00	1970	F	SCD 35
300	<b>S1EM300BB00S</b>	NJ2	48.50	38.40	59.00	2590	F	SCD 35
500	<b>S1EM500BB00S</b>	NJ3	51.50	43.40	66.00	4460	F	SCD 35
750	<b>S1EM750BB00S</b>	NJ6	64.00	57.40	71.00	6260	F	SCD 35

\*WALL MOUNTING KIT AND/OR DRIP PLATE KIT REQUIRED.  
REFER TO PAGES 276 TO 277 FOR DETAILS.

208 Delta Primary Volts

480Y/277 Secondary Volts

60 Hz

kVA	Catalog Number	Case Style (Pages 264 - 272)	Approx. Dimensions (Inches)			Approx. Weight (Lbs.)	Mtg Type W - Wall F - Floor	Wiring Diagram (Pages 281 - 296)
			Width	Depth	Height			
15	<b>S1EM015BK00S</b>	NH5	19.40	20.20	21.50	250	F or W *	SCD 35
30	<b>S1EM030BK00S</b>	NH6	23.90	25.00	28.75	350	F or W *	SCD 35
45	<b>S1EM045BK00S</b>	NH3	26.00	25.00	38.00	460	F or W *	SCD 35
75	<b>S1EM075BK00S</b>	NH4	32.00	29.50	41.00	650	F	SCD 35
112.5	<b>S1EM112BK00S</b>	NH4	32.00	29.50	41.00	960	F	SCD 35
150	<b>S1EM150BK00S</b>	NH4	32.00	29.50	41.00	1210	F	SCD 35
225	<b>S1EM225BK00S</b>	NJ2	48.50	38.40	59.00	1970	F	SCD 35
300	<b>S1EM300BK00S</b>	NJ2	48.50	38.40	59.00	2590	F	SCD 35
500	<b>S1EM500BK00S</b>	NJ3	51.50	43.40	66.00	4460	F	SCD 35
750	<b>S1EM750BK00S</b>	NJ6	64.00	57.40	71.00	6260	F	SCD 35

\*WALL MOUNTING KIT AND/OR DRIP PLATE KIT REQUIRED.  
REFER TO PAGES 276 TO 277 FOR DETAILS.

480 Delta Primary Volts

208Y/120 Secondary Volts

60 Hz

kVA	Catalog Number	Case Style (Pages 264 - 272)	Approx. Dimensions (Inches)			Approx. Weight (Lbs.)	Mtg Type W - Wall F - Floor	Wiring Diagram (Pages 281 - 296)
			Width	Depth	Height			
15	<b>S1EM015KB00S</b>	NH5	19.40	20.20	21.50	250	F or W *	SCD 35
30	<b>S1EM030KB00S</b>	NH6	23.90	25.00	28.75	350	F or W *	SCD 35
45	<b>S1EM045KB00S</b>	NH3	26.00	25.00	38.00	460	F or W *	SCD 35
75	<b>S1EM075KB00S</b>	NH4	32.00	29.50	41.00	650	F	SCD 35
112.5	<b>S1EM112KB00S</b>	NH4	32.00	29.50	41.00	960	F	SCD 35
150	<b>S1EM150KB00S</b>	NH4	32.00	29.50	41.00	1210	F	SCD 35
225	<b>S1EM225KB00S</b>	NJ2	48.50	38.40	59.00	1970	F	SCD 35
300	<b>S1EM300KB00S</b>	NJ2	48.50	38.40	59.00	2590	F	SCD 35
500	<b>S1EM500KB00S</b>	NJ3	51.50	43.40	66.00	4460	F	SCD 35
750	<b>S1EM750KB00S</b>	NJ6	64.00	57.40	71.00	6260	F	SCD 35

\*WALL MOUNTING KIT AND/OR DRIP PLATE KIT REQUIRED.  
REFER TO PAGES 276 TO 277 FOR DETAILS.





## ALUMINUM WOUND, THREE PHASE, SHIELDED, 0° PHASE SHIFT



480 Delta Primary Volts

480Y/277 Secondary Volts

60 Hz

kVA	Catalog Number	Case Style (Pages 264 - 272)	Approx. Dimensions (Inches)			Approx. Weight (Lbs.)	Mtg Type W - Wall F - Floor	Wiring Diagram (Pages 281 - 296)
			Width	Depth	Height			
15	<b>S1EM015KK00S</b>	NH5	19.40	20.20	21.50	250	F or W *	SCD 35
30	<b>S1EM030KK00S</b>	NH6	23.90	25.00	28.75	350	F or W *	SCD 35
45	<b>S1EM045KK00S</b>	NH3	26.00	25.00	38.00	460	F or W *	SCD 35
75	<b>S1EM075KK00S</b>	NH4	32.00	29.50	41.00	650	F	SCD 35
112.5	<b>S1EM112KK00S</b>	NH4	32.00	29.50	41.00	960	F	SCD 35
150	<b>S1EM150KK00S</b>	NH4	32.00	29.50	41.00	1210	F	SCD 35
225	<b>S1EM225KK00S</b>	NJ2	48.50	38.40	59.00	1970	F	SCD 35
300	<b>S1EM300KK00S</b>	NJ2	48.50	38.40	59.00	2590	F	SCD 35
500	<b>S1EM500KK00S</b>	NJ3	51.50	43.40	66.00	4460	F	SCD 35
750	<b>S1EM750KK00S</b>	NJ6	64.00	57.40	71.00	6260	F	SCD 35

\*WALL MOUNTING KIT AND/OR DRIP PLATE KIT REQUIRED.  
REFER TO PAGES 276 TO 277 FOR DETAILS.

600 Delta Primary Volts

208Y/120 Secondary Volts

60 Hz

kVA	Catalog Number	Case Style (Pages 264 - 272)	Approx. Dimensions (Inches)			Approx. Weight (Lbs.)	Mtg Type W - Wall F - Floor	Wiring Diagram (Pages 281 - 296)
			Width	Depth	Height			
15	<b>S1EM015PB00S</b>	NH5	19.40	20.20	21.50	250	F or W *	SCD 35
30	<b>S1EM030PB00S</b>	NH6	23.90	25.00	28.75	350	F or W *	SCD 35
45	<b>S1EM045PB00S</b>	NH3	26.00	25.00	38.00	460	F or W *	SCD 35
75	<b>S1EM075PB00S</b>	NH4	32.00	29.50	41.00	650	F	SCD 35
112.5	<b>S1EM112PB00S</b>	NH4	32.00	29.50	41.00	960	F	SCD 35
150	<b>S1EM150PB00S</b>	NH4	32.00	29.50	41.00	1210	F	SCD 35
225	<b>S1EM225PB00S</b>	NJ2	48.50	38.40	59.00	1970	F	SCD 35
300	<b>S1EM300PB00S</b>	NJ2	48.50	38.40	59.00	2590	F	SCD 35
500	<b>S1EM500PB00S</b>	NJ3	51.50	43.40	66.00	4460	F	SCD 35
750	<b>S1EM750PB00S</b>	NJ6	64.00	57.40	71.00	6260	F	SCD 35

\*WALL MOUNTING KIT AND/OR DRIP PLATE KIT REQUIRED.  
REFER TO PAGES 276 TO 277 FOR DETAILS.

600 Delta Primary Volts

480Y/277 Secondary Volts

60 Hz

kVA	Catalog Number	Case Style (Pages 264 - 272)	Approx. Dimensions (Inches)			Approx. Weight (Lbs.)	Mtg Type W - Wall F - Floor	Wiring Diagram (Pages 281 - 296)
			Width	Depth	Height			
15	<b>S1EM015PK00S</b>	NH5	19.40	20.20	21.50	250	F or W *	SCD 35
30	<b>S1EM030PK00S</b>	NH6	23.90	25.00	28.75	350	F or W *	SCD 35
45	<b>S1EM045PK00S</b>	NH3	26.00	25.00	38.00	460	F or W *	SCD 35
75	<b>S1EM075PK00S</b>	NH4	32.00	29.50	41.00	650	F	SCD 35
112.5	<b>S1EM112PK00S</b>	NH4	32.00	29.50	41.00	960	F	SCD 35
150	<b>S1EM150PK00S</b>	NH4	32.00	29.50	41.00	1210	F	SCD 35
225	<b>S1EM225PK00S</b>	NJ2	48.50	38.40	59.00	1970	F	SCD 35
300	<b>S1EM300PK00S</b>	NJ2	48.50	38.40	59.00	2590	F	SCD 35
500	<b>S1EM500PK00S</b>	NJ3	51.50	43.40	66.00	4460	F	SCD 35
750	<b>S1EM750PK00S</b>	NJ6	64.00	57.40	71.00	6260	F	SCD 35

\*WALL MOUNTING KIT AND/OR DRIP PLATE KIT REQUIRED.  
REFER TO PAGES 276 TO 277 FOR DETAILS.



## ALUMINUM WOUND, THREE PHASE, SHIELDED, -30° PHASE SHIFT



208 Wye Primary Volts

208Y/120 Secondary Volts

60 Hz

kVA	Catalog Number	Case Style (Pages 264 - 272)	Approx. Dimensions (Inches)			Approx. Weight (Lbs.)	Mtg Type W - Wall F - Floor	Wiring Diagram (Pages 281 - 296)
			Width	Depth	Height			
15	<b>S1EM015BB30S</b>	NH5	19.40	20.20	21.50	250	F or W *	SCD 35
30	<b>S1EM030BB30S</b>	NH6	23.90	25.00	28.75	350	F or W *	SCD 35
45	<b>S1EM045BB30S</b>	NH3	26.00	25.00	38.00	460	F or W *	SCD 35
75	<b>S1EM075BB30S</b>	NH4	32.00	29.50	41.00	650	F	SCD 35
112.5	<b>S1EM112BB30S</b>	NH4	32.00	29.50	41.00	960	F	SCD 35
150	<b>S1EM150BB30S</b>	NH4	32.00	29.50	41.00	1210	F	SCD 35
225	<b>S1EM225BB30S</b>	NJ2	48.50	38.40	59.00	1970	F	SCD 35
300	<b>S1EM300BB30S</b>	NJ2	48.50	38.40	59.00	2590	F	SCD 35
500	<b>S1EM500BB30S</b>	NJ3	51.50	43.40	66.00	4460	F	SCD 35
750	<b>S1EM750BB30S</b>	NJ6	64.00	57.40	71.00	6260	F	SCD 35

\*WALL MOUNTING KIT AND/OR DRIP PLATE KIT REQUIRED.  
REFER TO PAGES 276 TO 277 FOR DETAILS.

208 Wye Primary Volts

480Y/277 Secondary Volts

60 Hz

kVA	Catalog Number	Case Style (Pages 264 - 272)	Approx. Dimensions (Inches)			Approx. Weight (Lbs.)	Mtg Type W - Wall F - Floor	Wiring Diagram (Pages 281 - 296)
			Width	Depth	Height			
15	<b>S1EM015BK30S</b>	NH5	19.40	20.20	21.50	250	F or W *	SCD 35
30	<b>S1EM030BK30S</b>	NH6	23.90	25.00	28.75	350	F or W *	SCD 35
45	<b>S1EM045BK30S</b>	NH3	26.00	25.00	38.00	460	F or W *	SCD 35
75	<b>S1EM075BK30S</b>	NH4	32.00	29.50	41.00	650	F	SCD 35
112.5	<b>S1EM112BK30S</b>	NH4	32.00	29.50	41.00	960	F	SCD 35
150	<b>S1EM150BK30S</b>	NH4	32.00	29.50	41.00	1210	F	SCD 35
225	<b>S1EM225BK30S</b>	NJ2	48.50	38.40	59.00	1970	F	SCD 35
300	<b>S1EM300BK30S</b>	NJ2	48.50	38.40	59.00	2590	F	SCD 35
500	<b>S1EM500BK30S</b>	NJ3	51.50	43.40	66.00	4460	F	SCD 35
750	<b>S1EM750BK30S</b>	NJ6	64.00	57.40	71.00	6260	F	SCD 35

\*WALL MOUNTING KIT AND/OR DRIP PLATE KIT REQUIRED.  
REFER TO PAGES 276 TO 277 FOR DETAILS.

480 Wye Primary Volts

208Y/120 Secondary Volts

60 Hz

kVA	Catalog Number	Case Style (Pages 264 - 272)	Approx. Dimensions (Inches)			Approx. Weight (Lbs.)	Mtg Type W - Wall F - Floor	Wiring Diagram (Pages 281 - 296)
			Width	Depth	Height			
15	<b>S1EM015KB30S</b>	NH5	19.40	20.20	21.50	250	F or W *	SCD 35
30	<b>S1EM030KB30S</b>	NH6	23.90	25.00	28.75	350	F or W *	SCD 35
45	<b>S1EM045KB30S</b>	NH3	26.00	25.00	38.00	460	F or W *	SCD 35
75	<b>S1EM075KB30S</b>	NH4	32.00	29.50	41.00	650	F	SCD 35
112.5	<b>S1EM112KB30S</b>	NH4	32.00	29.50	41.00	960	F	SCD 35
150	<b>S1EM150KB30S</b>	NH4	32.00	29.50	41.00	1210	F	SCD 35
225	<b>S1EM225KB30S</b>	NJ2	48.50	38.40	59.00	1970	F	SCD 35
300	<b>S1EM300KB30S</b>	NJ2	48.50	38.40	59.00	2590	F	SCD 35
500	<b>S1EM500KB30S</b>	NJ3	51.50	43.40	66.00	4460	F	SCD 35
750	<b>S1EM750KB30S</b>	NJ6	64.00	57.40	71.00	6260	F	SCD 35

\*WALL MOUNTING KIT AND/OR DRIP PLATE KIT REQUIRED.  
REFER TO PAGES 276 TO 277 FOR DETAILS.



## ALUMINUM WOUND, THREE PHASE, SHIELDED, -30° PHASE SHIFT



480 Wye Primary Volts

480Y/277 Secondary Volts

60 Hz

kVA	Catalog Number	Case Style (Pages 264 - 272)	Approx. Dimensions (Inches)			Approx. Weight (Lbs.)	Mtg Type W - Wall F - Floor	Wiring Diagram (Pages 281 - 296)
			Width	Depth	Height			
15	<b>S1EM015KK30S</b>	NH5	19.40	20.20	21.50	250	F or W *	SCD 35
30	<b>S1EM030KK30S</b>	NH6	23.90	25.00	28.75	350	F or W *	SCD 35
45	<b>S1EM045KK30S</b>	NH3	26.00	25.00	38.00	460	F or W *	SCD 35
75	<b>S1EM075KK30S</b>	NH4	32.00	29.50	41.00	650	F	SCD 35
112.5	<b>S1EM112KK30S</b>	NH4	32.00	29.50	41.00	960	F	SCD 35
150	<b>S1EM150KK30S</b>	NH4	32.00	29.50	41.00	1210	F	SCD 35
225	<b>S1EM225KK30S</b>	NJ2	48.50	38.40	59.00	1970	F	SCD 35
300	<b>S1EM300KK30S</b>	NJ2	48.50	38.40	59.00	2590	F	SCD 35
500	<b>S1EM500KK30S</b>	NJ3	51.50	43.40	66.00	4460	F	SCD 35
750	<b>S1EM750KK30S</b>	NJ6	64.00	57.40	71.00	6260	F	SCD 35

\*WALL MOUNTING KIT AND/OR DRIP PLATE KIT REQUIRED.  
REFER TO PAGES 276 TO 277 FOR DETAILS.

600 Wye Primary Volts

208Y/120 Secondary Volts

60 Hz

kVA	Catalog Number	Case Style (Pages 264 - 272)	Approx. Dimensions (Inches)			Approx. Weight (Lbs.)	Mtg Type W - Wall F - Floor	Wiring Diagram (Pages 281 - 296)
			Width	Depth	Height			
15	<b>S1EM015PB30S</b>	NH5	19.40	20.20	21.50	250	F or W *	SCD 35
30	<b>S1EM030PB30S</b>	NH6	23.90	25.00	28.75	350	F or W *	SCD 35
45	<b>S1EM045PB30S</b>	NH3	26.00	25.00	38.00	460	F or W *	SCD 35
75	<b>S1EM075PB30S</b>	NH4	32.00	29.50	41.00	650	F	SCD 35
112.5	<b>S1EM112PB30S</b>	NH4	32.00	29.50	41.00	960	F	SCD 35
150	<b>S1EM150PB30S</b>	NH4	32.00	29.50	41.00	1210	F	SCD 35
225	<b>S1EM225PB30S</b>	NJ2	48.50	38.40	59.00	1970	F	SCD 35
300	<b>S1EM300PB30S</b>	NJ2	48.50	38.40	59.00	2590	F	SCD 35
500	<b>S1EM500PB30S</b>	NJ3	51.50	43.40	66.00	4460	F	SCD 35
750	<b>S1EM750PB30S</b>	NJ6	64.00	57.40	71.00	6260	F	SCD 35

\*WALL MOUNTING KIT AND/OR DRIP PLATE KIT REQUIRED.  
REFER TO PAGES 276 TO 277 FOR DETAILS.

600 Wye Primary Volts

480Y/277 Secondary Volts

60 Hz

kVA	Catalog Number	Case Style (Pages 264 - 272)	Approx. Dimensions (Inches)			Approx. Weight (Lbs.)	Mtg Type W - Wall F - Floor	Wiring Diagram (Pages 281 - 296)
			Width	Depth	Height			
15	<b>S1EM015PK30S</b>	NH5	19.40	20.20	21.50	250	F or W *	SCD 35
30	<b>S1EM030PK30S</b>	NH6	23.90	25.00	28.75	350	F or W *	SCD 35
45	<b>S1EM045PK30S</b>	NH3	26.00	25.00	38.00	460	F or W *	SCD 35
75	<b>S1EM075PK30S</b>	NH4	32.00	29.50	41.00	650	F	SCD 35
112.5	<b>S1EM112PK30S</b>	NH4	32.00	29.50	41.00	960	F	SCD 35
150	<b>S1EM150PK30S</b>	NH4	32.00	29.50	41.00	1210	F	SCD 35
225	<b>S1EM225PK30S</b>	NJ2	48.50	38.40	59.00	1970	F	SCD 35
300	<b>S1EM300PK30S</b>	NJ2	48.50	38.40	59.00	2590	F	SCD 35
500	<b>S1EM500PK30S</b>	NJ3	51.50	43.40	66.00	4460	F	SCD 35
750	<b>S1EM750PK30S</b>	NJ6	64.00	57.40	71.00	6260	F	SCD 35

\*WALL MOUNTING KIT AND/OR DRIP PLATE KIT REQUIRED.  
REFER TO PAGES 276 TO 277 FOR DETAILS.



## COPPER WOUND, THREE PHASE, SHIELDED, 0° PHASE SHIFT



208 Delta Primary Volts

208Y/120 Secondary Volts

60 Hz

kVA	Catalog Number	Case Style (Pages 264 - 272)	Approx. Dimensions (Inches)			Approx. Weight (Lbs.)	Mtg Type W - Wall F - Floor	Wiring Diagram (Pages 281 - 296)
			Width	Depth	Height			
15	<b>S1EM015BB00</b>	NH5	19.40	20.20	21.50	250	F or W *	SCD 35
30	<b>S1EM030BB00</b>	NH6	23.90	25.00	28.75	390	F or W *	SCD 35
45	<b>S1EM045BB00</b>	NH6	23.90	25.00	28.75	460	F or W *	SCD 35
75	<b>S1EM075BB00</b>	NH3	26.00	25.00	38.00	660	F or W *	SCD 35
112.5	<b>S1EM112BB00</b>	NH4	32.00	29.50	41.00	1000	F	SCD 35
150	<b>S1EM150BB00</b>	NH4	32.00	29.50	41.00	1250	F	SCD 35
225	<b>S1EM225BB00</b>	NJ1	39.50	34.00	51.50	1960	F	SCD 35
300	<b>S1EM300BB00</b>	NJ2	48.50	38.40	59.00	2470	F	SCD 35
500	<b>S1EM500BB00</b>	NJ3	51.50	43.40	66.00	3930	F	SCD 35
750	<b>S1EM750BB00</b>	NJ6	64.00	57.40	71.00	5760	F	SCD 35

\*WALL MOUNTING KIT AND/OR DRIP PLATE KIT REQUIRED.  
REFER TO PAGES 276 TO 277 FOR DETAILS.

208 Delta Primary Volts

480Y/277 Secondary Volts

60 Hz

kVA	Catalog Number	Case Style (Pages 264 - 272)	Approx. Dimensions (Inches)			Approx. Weight (Lbs.)	Mtg Type W - Wall F - Floor	Wiring Diagram (Pages 281 - 296)
			Width	Depth	Height			
15	<b>S1EM015BK00</b>	NH5	19.40	20.20	21.50	250	F or W *	SCD 35
30	<b>S1EM030BK00</b>	NH6	23.90	25.00	28.75	390	F or W *	SCD 35
45	<b>S1EM045BK00</b>	NH6	23.90	25.00	28.75	460	F or W *	SCD 35
75	<b>S1EM075BK00</b>	NH3	26.00	25.00	38.00	660	F or W *	SCD 35
112.5	<b>S1EM112BK00</b>	NH4	32.00	29.50	41.00	1000	F	SCD 35
150	<b>S1EM150BK00</b>	NH4	32.00	29.50	41.00	1250	F	SCD 35
225	<b>S1EM225BK00</b>	NJ1	39.50	34.00	51.50	1960	F	SCD 35
300	<b>S1EM300BK00</b>	NJ2	48.50	38.40	59.00	2470	F	SCD 35
500	<b>S1EM500BK00</b>	NJ3	51.50	43.40	66.00	3930	F	SCD 35
750	<b>S1EM750BK00</b>	NJ6	64.00	57.40	71.00	5760	F	SCD 35

\*WALL MOUNTING KIT AND/OR DRIP PLATE KIT REQUIRED.  
REFER TO PAGES 276 TO 277 FOR DETAILS.

480 Delta Primary Volts

208Y/120 Secondary Volts

60 Hz

kVA	Catalog Number	Case Style (Pages 264 - 272)	Approx. Dimensions (Inches)			Approx. Weight (Lbs.)	Mtg Type W - Wall F - Floor	Wiring Diagram (Pages 281 - 296)
			Width	Depth	Height			
15	<b>S1EM015KB00</b>	NH5	19.40	20.20	21.50	250	F or W *	SCD 35
30	<b>S1EM030KB00</b>	NH6	23.90	25.00	28.75	390	F or W *	SCD 35
45	<b>S1EM045KB00</b>	NH6	23.90	25.00	28.75	460	F or W *	SCD 35
75	<b>S1EM075KB00</b>	NH3	26.00	25.00	38.00	660	F or W *	SCD 35
112.5	<b>S1EM112KB00</b>	NH4	32.00	29.50	41.00	1000	F	SCD 35
150	<b>S1EM150KB00</b>	NH4	32.00	29.50	41.00	1250	F	SCD 35
225	<b>S1EM225KB00</b>	NJ1	39.50	34.00	51.50	1960	F	SCD 35
300	<b>S1EM300KB00</b>	NJ2	48.50	38.40	59.00	2470	F	SCD 35
500	<b>S1EM500KB00</b>	NJ3	51.50	43.40	66.00	3930	F	SCD 35
750	<b>S1EM750KB00</b>	NJ6	64.00	57.40	71.00	5760	F	SCD 35

\*WALL MOUNTING KIT AND/OR DRIP PLATE KIT REQUIRED.  
REFER TO PAGES 276 TO 277 FOR DETAILS.



## COPPER WOUND, THREE PHASE, SHIELDED, 0° PHASE SHIFT



480 Delta Primary Volts

480Y/277 Secondary Volts

60 Hz

kVA	Catalog Number	Case Style (Pages 264 - 272)	Approx. Dimensions (Inches)			Approx. Weight (Lbs.)	Mtg Type W - Wall F - Floor	Wiring Diagram (Pages 281 - 296)
			Width	Depth	Height			
15	<b>S1EM015KK00</b>	NH5	19.40	20.20	21.50	250	F or W *	SCD 35
30	<b>S1EM030KK00</b>	NH6	23.90	25.00	28.75	390	F or W *	SCD 35
45	<b>S1EM045KK00</b>	NH6	23.90	25.00	28.75	460	F or W *	SCD 35
75	<b>S1EM075KK00</b>	NH3	26.00	25.00	38.00	660	F or W *	SCD 35
112.5	<b>S1EM112KK00</b>	NH4	32.00	29.50	41.00	1000	F	SCD 35
150	<b>S1EM150KK00</b>	NH4	32.00	29.50	41.00	1250	F	SCD 35
225	<b>S1EM225KK00</b>	NJ1	39.50	34.00	51.50	1960	F	SCD 35
300	<b>S1EM300KK00</b>	NJ2	48.50	38.40	59.00	2470	F	SCD 35
500	<b>S1EM500KK00</b>	NJ3	51.50	43.40	66.00	3930	F	SCD 35
750	<b>S1EM750KK00</b>	NJ6	64.00	57.40	71.00	5760	F	SCD 35

\*WALL MOUNTING KIT AND/OR DRIP PLATE KIT REQUIRED. REFER TO PAGES 276 TO 277 FOR DETAILS.

600 Delta Primary Volts

208Y/120 Secondary Volts

60 Hz

kVA	Catalog Number	Case Style (Pages 264 - 272)	Approx. Dimensions (Inches)			Approx. Weight (Lbs.)	Mtg Type W - Wall F - Floor	Wiring Diagram (Pages 281 - 296)
			Width	Depth	Height			
15	<b>S1EM015PB00</b>	NH5	19.40	20.20	21.50	250	F or W *	SCD 35
30	<b>S1EM030PB00</b>	NH6	23.90	25.00	28.75	390	F or W *	SCD 35
45	<b>S1EM045PB00</b>	NH6	23.90	25.00	28.75	460	F or W *	SCD 35
75	<b>S1EM075PB00</b>	NH3	26.00	25.00	38.00	660	F or W *	SCD 35
112.5	<b>S1EM112PB00</b>	NH4	32.00	29.50	41.00	1000	F	SCD 35
150	<b>S1EM150PB00</b>	NH4	32.00	29.50	41.00	1250	F	SCD 35
225	<b>S1EM225PB00</b>	NJ1	39.50	34.00	51.50	1960	F	SCD 35
300	<b>S1EM300PB00</b>	NJ2	48.50	38.40	59.00	2470	F	SCD 35
500	<b>S1EM500PB00</b>	NJ3	51.50	43.40	66.00	3930	F	SCD 35
750	<b>S1EM750PB00</b>	NJ6	64.00	57.40	71.00	5760	F	SCD 35

\*WALL MOUNTING KIT AND/OR DRIP PLATE KIT REQUIRED. REFER TO PAGES 276 TO 277 FOR DETAILS.

600 Delta Primary Volts

480Y/277 Secondary Volts

60 Hz

kVA	Catalog Number	Case Style (Pages 264 - 272)	Approx. Dimensions (Inches)			Approx. Weight (Lbs.)	Mtg Type W - Wall F - Floor	Wiring Diagram (Pages 281 - 296)
			Width	Depth	Height			
15	<b>S1EM015PK00</b>	NH5	19.40	20.20	21.50	250	F or W *	SCD 35
30	<b>S1EM030PK00</b>	NH6	23.90	25.00	28.75	390	F or W *	SCD 35
45	<b>S1EM045PK00</b>	NH6	23.90	25.00	28.75	460	F or W *	SCD 35
75	<b>S1EM075PK00</b>	NH3	26.00	25.00	38.00	660	F or W *	SCD 35
112.5	<b>S1EM112PK00</b>	NH4	32.00	29.50	41.00	1000	F	SCD 35
150	<b>S1EM150PK00</b>	NH4	32.00	29.50	41.00	1250	F	SCD 35
225	<b>S1EM225PK00</b>	NJ1	39.50	34.00	51.50	1960	F	SCD 35
300	<b>S1EM300PK00</b>	NJ2	48.50	38.40	59.00	2470	F	SCD 35
500	<b>S1EM500PK00</b>	NJ3	51.50	43.40	66.00	3930	F	SCD 35
750	<b>S1EM750PK00</b>	NJ6	64.00	57.40	71.00	5760	F	SCD 35

\*WALL MOUNTING KIT AND/OR DRIP PLATE KIT REQUIRED. REFER TO PAGES 276 TO 277 FOR DETAILS.



## COPPER WOUND, THREE PHASE, SHIELDED, -30° PHASE SHIFT



208 Wye Primary Volts

208Y/120 Secondary Volts

60 Hz

kVA	Catalog Number	Case Style (Pages 264 - 272)	Approx. Dimensions (Inches)			Approx. Weight (Lbs.)	Mtg Type W - Wall F - Floor	Wiring Diagram (Pages 281 - 296)
			Width	Depth	Height			
15	<b>S1EM015BB30</b>	NH5	19.40	20.20	21.50	250	F or W *	SCD 35
30	<b>S1EM030BB30</b>	NH6	23.90	25.00	28.75	390	F or W *	SCD 35
45	<b>S1EM045BB30</b>	NH6	23.90	25.00	28.75	460	F or W *	SCD 35
75	<b>S1EM075BB30</b>	NH3	26.00	25.00	38.00	660	F or W *	SCD 35
112.5	<b>S1EM112BB30</b>	NH4	32.00	29.50	41.00	1000	F	SCD 35
150	<b>S1EM150BB30</b>	NH4	32.00	29.50	41.00	1250	F	SCD 35
225	<b>S1EM225BB30</b>	NJ1	39.50	34.00	51.50	1960	F	SCD 35
300	<b>S1EM300BB30</b>	NJ2	48.50	38.40	59.00	2470	F	SCD 35
500	<b>S1EM500BB30</b>	NJ3	51.50	43.40	66.00	3930	F	SCD 35
750	<b>S1EM750BB30</b>	NJ6	64.00	57.40	71.00	5760	F	SCD 35

\*WALL MOUNTING KIT AND/OR DRIP PLATE KIT REQUIRED.  
REFER TO PAGES 276 TO 277 FOR DETAILS.

208 Wye Primary Volts

480Y/277 Secondary Volts

60 Hz

kVA	Catalog Number	Case Style (Pages 264 - 272)	Approx. Dimensions (Inches)			Approx. Weight (Lbs.)	Mtg Type W - Wall F - Floor	Wiring Diagram (Pages 281 - 296)
			Width	Depth	Height			
15	<b>S1EM015BK30</b>	NH5	19.40	20.20	21.50	250	F or W *	SCD 35
30	<b>S1EM030BK30</b>	NH6	23.90	25.00	28.75	390	F or W *	SCD 35
45	<b>S1EM045BK30</b>	NH6	23.90	25.00	28.75	460	F or W *	SCD 35
75	<b>S1EM075BK30</b>	NH3	26.00	25.00	38.00	660	F or W *	SCD 35
112.5	<b>S1EM112BK30</b>	NH4	32.00	29.50	41.00	1000	F	SCD 35
150	<b>S1EM150BK30</b>	NH4	32.00	29.50	41.00	1250	F	SCD 35
225	<b>S1EM225BK30</b>	NJ1	39.50	34.00	51.50	1960	F	SCD 35
300	<b>S1EM300BK30</b>	NJ2	48.50	38.40	59.00	2470	F	SCD 35
500	<b>S1EM500BK30</b>	NJ3	51.50	43.40	66.00	3930	F	SCD 35
750	<b>S1EM750BK30</b>	NJ6	64.00	57.40	71.00	5760	F	SCD 35

\*WALL MOUNTING KIT AND/OR DRIP PLATE KIT REQUIRED.  
REFER TO PAGES 276 TO 277 FOR DETAILS.

480 Wye Primary Volts

208Y/120 Secondary Volts

60 Hz

kVA	Catalog Number	Case Style (Pages 264 - 272)	Approx. Dimensions (Inches)			Approx. Weight (Lbs.)	Mtg Type W - Wall F - Floor	Wiring Diagram (Pages 281 - 296)
			Width	Depth	Height			
15	<b>S1EM015KB30</b>	NH5	19.40	20.20	21.50	250	F or W *	SCD 35
30	<b>S1EM030KB30</b>	NH6	23.90	25.00	28.75	390	F or W *	SCD 35
45	<b>S1EM045KB30</b>	NH6	23.90	25.00	28.75	460	F or W *	SCD 35
75	<b>S1EM075KB30</b>	NH3	26.00	25.00	38.00	660	F or W *	SCD 35
112.5	<b>S1EM112KB30</b>	NH4	32.00	29.50	41.00	1000	F	SCD 35
150	<b>S1EM150KB30</b>	NH4	32.00	29.50	41.00	1250	F	SCD 35
225	<b>S1EM225KB30</b>	NJ1	39.50	34.00	51.50	1960	F	SCD 35
300	<b>S1EM300KB30</b>	NJ2	48.50	38.40	59.00	2470	F	SCD 35
500	<b>S1EM500KB30</b>	NJ3	51.50	43.40	66.00	3930	F	SCD 35
750	<b>S1EM750KB30</b>	NJ6	64.00	57.40	71.00	5760	F	SCD 35

\*WALL MOUNTING KIT AND/OR DRIP PLATE KIT REQUIRED.  
REFER TO PAGES 276 TO 277 FOR DETAILS.



## COPPER WOUND, THREE PHASE, SHIELDED, -30° PHASE SHIFT



480 Wye Primary Volts

480Y/277 Secondary Volts

60 Hz

kVA	Catalog Number	Case Style (Pages 264 - 272)	Approx. Dimensions (Inches)			Approx. Weight (Lbs.)	Mtg Type W - Wall F - Floor	Wiring Diagram (Pages 281 - 296)
			Width	Depth	Height			
15	<b>S1EM015KK30</b>	NH5	19.40	20.20	21.50	250	F or W *	SCD 35
30	<b>S1EM030KK30</b>	NH6	23.90	25.00	28.75	390	F or W *	SCD 35
45	<b>S1EM045KK30</b>	NH6	23.90	25.00	28.75	460	F or W *	SCD 35
75	<b>S1EM075KK30</b>	NH3	26.00	25.00	38.00	660	F or W *	SCD 35
112.5	<b>S1EM112KK30</b>	NH4	32.00	29.50	41.00	1000	F	SCD 35
150	<b>S1EM150KK30</b>	NH4	32.00	29.50	41.00	1250	F	SCD 35
225	<b>S1EM225KK30</b>	NJ1	39.50	34.00	51.50	1960	F	SCD 35
300	<b>S1EM300KK30</b>	NJ2	48.50	38.40	59.00	2470	F	SCD 35
500	<b>S1EM500KK30</b>	NJ3	51.50	43.40	66.00	3930	F	SCD 35
750	<b>S1EM750KK30</b>	NJ6	64.00	57.40	71.00	5760	F	SCD 35

\*WALL MOUNTING KIT AND/OR DRIP PLATE KIT REQUIRED.  
REFER TO PAGES 276 TO 277 FOR DETAILS.

600 Wye Primary Volts

208Y/120 Secondary Volts

60 Hz

kVA	Catalog Number	Case Style (Pages 264 - 272)	Approx. Dimensions (Inches)			Approx. Weight (Lbs.)	Mtg Type W - Wall F - Floor	Wiring Diagram (Pages 281 - 296)
			Width	Depth	Height			
15	<b>S1EM015PB30</b>	NH5	19.40	20.20	21.50	250	F or W *	SCD 35
30	<b>S1EM030PB30</b>	NH6	23.90	25.00	28.75	390	F or W *	SCD 35
45	<b>S1EM045PB30</b>	NH6	23.90	25.00	28.75	460	F or W *	SCD 35
75	<b>S1EM075PB30</b>	NH3	26.00	25.00	38.00	660	F or W *	SCD 35
112.5	<b>S1EM112PB30</b>	NH4	32.00	29.50	41.00	1000	F	SCD 35
150	<b>S1EM150PB30</b>	NH4	32.00	29.50	41.00	1250	F	SCD 35
225	<b>S1EM225PB30</b>	NJ1	39.50	34.00	51.50	1960	F	SCD 35
300	<b>S1EM300PB30</b>	NJ2	48.50	38.40	59.00	2470	F	SCD 35
500	<b>S1EM500PB30</b>	NJ3	51.50	43.40	66.00	3930	F	SCD 35
750	<b>S1EM750PB30</b>	NJ6	64.00	57.40	71.00	5760	F	SCD 35

\*WALL MOUNTING KIT AND/OR DRIP PLATE KIT REQUIRED.  
REFER TO PAGES 276 TO 277 FOR DETAILS.

600 Wye Primary Volts

480Y/277 Secondary Volts

60 Hz

kVA	Catalog Number	Case Style (Pages 264 - 272)	Approx. Dimensions (Inches)			Approx. Weight (Lbs.)	Mtg Type W - Wall F - Floor	Wiring Diagram (Pages 281 - 296)
			Width	Depth	Height			
15	<b>S1EM015PK30</b>	NH5	19.40	20.20	21.50	250	F or W *	SCD 35
30	<b>S1EM030PK30</b>	NH6	23.90	25.00	28.75	390	F or W *	SCD 35
45	<b>S1EM045PK30</b>	NH6	23.90	25.00	28.75	460	F or W *	SCD 35
75	<b>S1EM075PK30</b>	NH3	26.00	25.00	38.00	660	F or W *	SCD 35
112.5	<b>S1EM112PK30</b>	NH4	32.00	29.50	41.00	1000	F	SCD 35
150	<b>S1EM150PK30</b>	NH4	32.00	29.50	41.00	1250	F	SCD 35
225	<b>S1EM225PK30</b>	NJ1	39.50	34.00	51.50	1960	F	SCD 35
300	<b>S1EM300PK30</b>	NJ2	48.50	38.40	59.00	2470	F	SCD 35
500	<b>S1EM500PK30</b>	NJ3	51.50	43.40	66.00	3930	F	SCD 35
750	<b>S1EM750PK30</b>	NJ6	64.00	57.40	71.00	5760	F	SCD 35

\*WALL MOUNTING KIT AND/OR DRIP PLATE KIT REQUIRED.  
REFER TO PAGES 276 TO 277 FOR DETAILS.





## **SECTION 8**

# **ENCAPSULATED DISTRIBUTION TRANSFORMERS**

### **Commercial & Industrial Single Phase and Three Phase**

#### **HPS Fortress™ Commercial Encapsulated Transformers**

Applications & Features .....	228
Single Phase Standard Specification .....	230
Single Phase Selection Tables .....	231
Three Phase Standard Specifications .....	234
Three Phase Selection Tables .....	235

#### **HPS TITAN® Industrial Encapsulated Transformers**

Applications .....	237
Features & Benefits .....	237
Single Phase Standard Specifications .....	238
Single Phase Selection Tables .....	239
Three Phase Standard Specifications .....	241
Three Phase Selection Tables .....	242
Enclosure Dimensional Drawings .....	266
Accessories - Enclosure Mounting Kits, Anti-Vibration Pads & Isolators .....	278
Wiring Schematic Drawings .....	281



## HPS Fortress Features

HPS Fortress is an innovative design that provides the ideal solution for commercial applications where **quality, ease of installation, and low cost** are key.

All units are encapsulated with electrical grade silica sand and resin compounds, which completely enclose the core and coil to seal out moisture, airborne contaminants and eliminates corrosion and deterioration.

### Standard Features

Features	Single Phase	Three Phase
<b>Voltage Groups</b>	9 standard voltage groups	8 standard voltage groups
<b>Ratings</b>	From 50VA to 37.5kVA	From 2kVA to 75kVA
<b>Shield</b>	Standard shield from 750VA and up	Standard shield on all units
<b>Frequency</b>	60 Hz (50Hz standard on four voltage groups)	60Hz standard on all voltage groups
<b>Connection</b>	Standard via copper leads	
<b>Enclosure</b>	Type 3R	Type 3R (type 4/12 with optional gasket kit installed)
<b>Quality Design</b>	All units are encapsulated with electrical grade silica sand and resin compounds, which completely enclose the core and coil to seal out moisture, airborne contaminants and eliminates corrosion and deterioration.	
<b>Conduit Knockouts</b>	For rear and side entry into an easily accessible and roomy wiring compartment (no knock-outs on Stainless Steel enclosures).	
<b>Installation</b>	Wall mounting up to 25kVA, optional wall mounting bracket available on 37.5kVA. Wall mounting template supplied.	Wall mounting up to 9kVA, optional wall mounting bracket available on 15kVA, 30kVA and 45kVA. Wall mounting template supplied.
<b>Warranty</b>	All HPS standard catalog encapsulated transformers come with a 10 year limited* warranty	

\*(Please refer to the HPS Warranty on page 26 for full details.)

SECTION 8

Inexpensive  
& easy

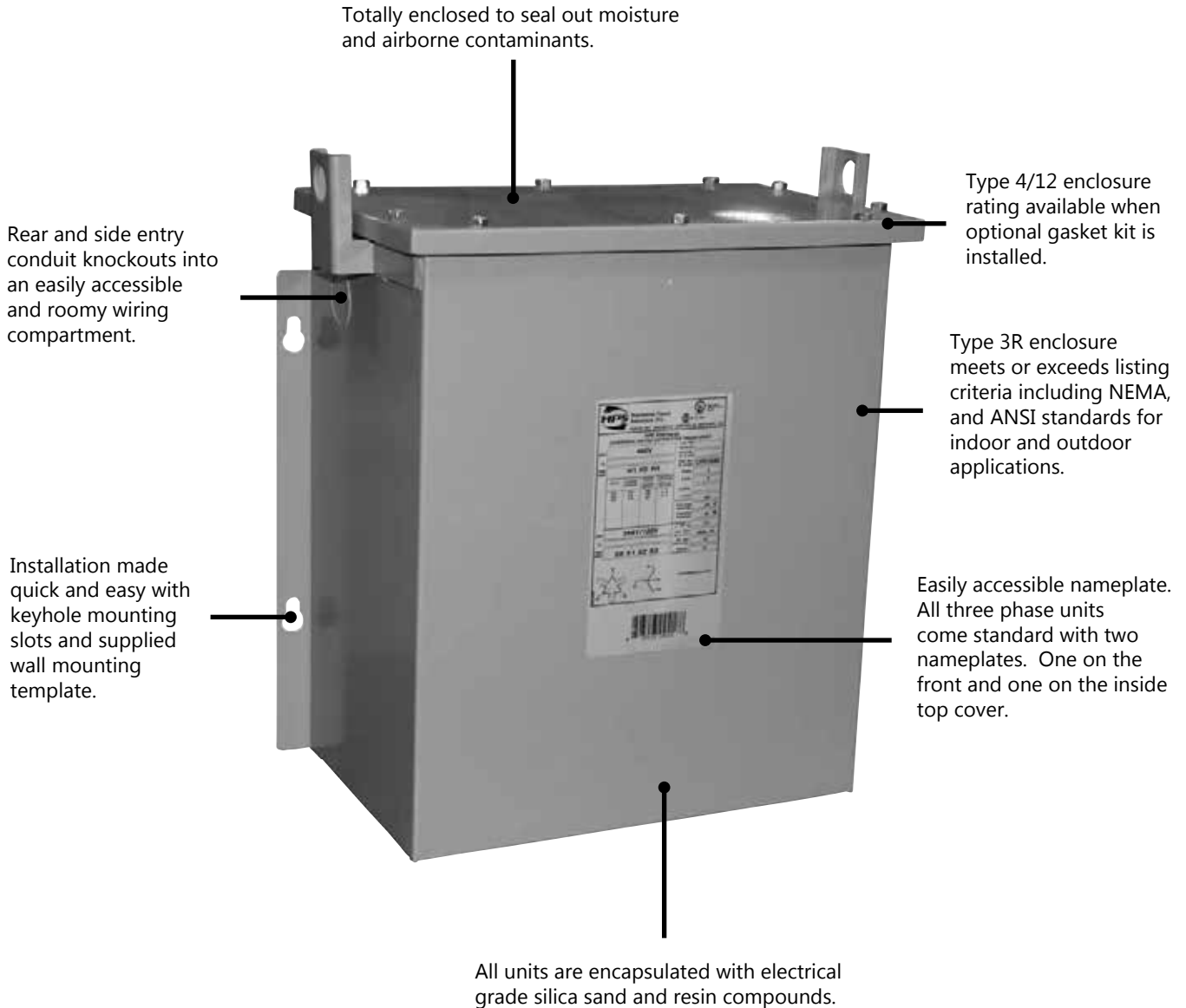


### Applications

- Shopping Centers
- Schools
- Sports Complexes
- Office Buildings
- Lighting



## HPS Fortress Features continued...



**Note:** Picture displayed above is a standard three phase HPS Fortress units.

## HPS FORTRESS™

### COMMERCIAL ENCAPSULATED DISTRIBUTION TRANSFORMERS

#### SINGLE PHASE STANDARD SPECIFICATIONS



**0.50 TO 1 KVA**



**1.5 TO 37.5 KVA**



	<b>.05 kVA to 1 kVA</b>	<b>1.5 kVA to 37.5 kVA</b>
UL Listed	File: E50394	File: E50394
CSA Certified	File: LR3902	File: LR3902
Frequency	60 Hz (50/60 Hz)	60 Hz (50/60 Hz)
Insulation System	130°C standard on all units	180°C standard on all units.
Electrostatic Shield	Standard on 0.75 kVA and up.	Standard on all units.
Encapsulation	All units are encapsulated with electrical grade silica sand and resin compounds.	All units are encapsulated with electrical grade silica sand and resin compounds.
Enclosure Type	Type 3R	Type 3R
Enclosure Finish	ANSI 61 Grey, UL50	ANSI 61 Grey, UL50
Termination	Front accessible separate high and low voltage lead wires or copper tabs.	Front accessible separate high and low voltage lead wires or copper tabs.
Conduit Knock-Outs	Standard side and rear knock-outs on all units (no knock-outs on Stainless Steel enclosures).	Standard side and rear knock-outs on all units (no knock-outs on Stainless Steel enclosures).
Impedance	Typically 5 to 10%.	Typically 1 to 5%.
Mounting	Standard Wall Mounting.	Standard Wall Mounting up to 25kVA. Optional wall mounting kit for 37.5kVA units. Lifting provisions standard on units 5 kVA and up.
Sound Level	Meets NEMA ST-20 standards.	Meets NEMA ST-20 standards

**Other voltages and kVA ratings not listed in this section are available upon request. Please contact customer service for details, price and availability.**

## SINGLE PHASE, NEMA 3R STYLE ENCLOSURE



120 X 240 Primary Volts

120/240 Secondary Volts

60 Hz

kVA	Catalog Number	Case Style (Pages 266 - 268)	Approx. Dimensions (Inches)			Approx. Weight (Lbs.)	Mtg Type W - Wall F - Floor	Wiring Diagram (Pages 281 - 293)
			Width	Depth	Height			
0.05	C1FC05EE	NQ0	3.75	5.25	7.25	7	W	SCD1
0.10	C1FC10EE	NQ0	3.75	5.25	7.25	7	W	SCD1
0.15	C1FC15EE	NQ0	3.75	5.25	7.25	8	W	SCD1
0.25	C1FC25EE	NQ0	3.75	5.25	7.25	9	W	SCD1
0.35	C1FC35EE	NQ1	4.50	5.75	7.25	15	W	SCD1
0.50	C1FC50EE	NQ1	4.50	5.75	7.25	16	W	SCD1
0.75	C1FC75EES	NQ2	5.00	4.75	9.25	23	W	SCD1
1	C1F1C0EES	NQ3	5.88	5.50	10.50	24	W	SCD1
1.5	C1F1C5EES	NQ3	5.88	5.50	10.50	33	W	SCD1
2	C1F002EES	NQ4	7.00	6.50	11.75	42	W	SCD1
3	C1F003EES	NQ4	7.00	6.50	11.75	55	W	SCD1
5	C1F005EES	NQ5	10.00	7.75	17.25	96	W	SCD1
7.5	C1F007EES	NQ6A	12.25	9.25	17.63	148	W	SCD2
10	C1F010EES	NQ6	12.25	9.25	20.88	178	W	SCD2

208 X 416 Primary Volts

120/240 Secondary Volts

60 Hz

kVA	Catalog Number	Case Style (Pages 266 - 268)	Approx. Dimensions (Inches)			Approx. Weight (Lbs.)	Mtg Type W - Wall F - Floor	Wiring Diagram (Pages 281 - 293)
			Width	Depth	Height			
0.05	C1FC05GE	NQ0	3.75	5.25	7.25	7	W	SCD1
0.10	C1FC10GE	NQ0	3.75	5.25	7.25	7	W	SCD1
0.15	C1FC15GE	NQ0	3.75	5.25	7.25	8	W	SCD1
0.25	C1FC25GE	NQ0	3.75	5.25	7.25	9	W	SCD1
0.35	C1FC35GE	NQ1	4.50	5.75	7.25	15	W	SCD1
0.50	C1FC50GE	NQ1	4.50	5.75	7.25	16	W	SCD1
0.75	C1FC75GES	NQ2	5.00	4.75	9.25	23	W	SCD1
1	C1F1C0GES	NQ3	5.88	5.50	10.50	24	W	SCD1
1.5	C1F1C5GES	NQ3	5.88	5.50	10.50	33	W	SCD1
2	C1F002GES	NQ4	7.00	6.50	11.75	42	W	SCD1
3	C1F003GES	NQ4	7.00	6.50	11.75	55	W	SCD1
5	C1F005GES	NQ5	10.00	7.75	17.25	96	W	SCD1
7.5	C1F007GES	NQ6A	12.25	9.25	17.63	148	W	SCD2
10	C1F010GES	NQ6	12.25	9.25	20.88	178	W	SCD2

120/208/240/277 Primary Volts

120/240 Secondary Volts

60 Hz

kVA	Catalog Number	Case Style (Pages 266 - 268)	Approx. Dimensions (Inches)			Approx. Weight (Lbs.)	Mtg Type W - Wall F - Floor	Wiring Diagram (Pages 281 - 293)
			Width	Depth	Height			
0.05	C1FC05WE	NQ0	3.75	5.25	7.25	7	W	SCD41
0.10	C1FC10WE	NQ0	3.75	5.25	7.25	7	W	SCD41
0.15	C1FC15WE	NQ0	3.75	5.25	7.25	8	W	SCD41
0.25	C1FC25WE	NQ1	4.50	5.75	7.25	10	W	SCD41
0.35	C1FC35WE	NQ2	5.00	4.75	9.25	17	W	SCD41
0.50	C1FC50WE	NQ2	5.00	4.75	9.25	25	W	SCD41
0.75	C1FC75WES	NQ2	5.00	4.75	9.25	23	W	SCD41
1	C1F1C0WES	NQ3	5.88	5.50	10.50	24	W	SCD41
1.5	C1F1C5WES	NQ3	5.88	5.50	10.50	37	W	SCD41
2	C1F002WES	NQ4	7.00	6.50	11.75	52	W	SCD41
3	C1F003WES	NQ5	10.00	7.75	17.25	65	W	SCD2
5	C1F005WES	NQ5	10.00	7.75	17.25	108	W	SCD2
7.5	C1F007WES	NQ6	12.25	9.25	20.88	171	W	SCD2
10	C1F010WES	NQ6	12.25	9.25	20.88	183	W	SCD2



## SINGLE PHASE, NEMA 3R STYLE ENCLOSURE



240 X 480 Primary Volts

120/240 Secondary Volts

60 Hz

kVA	Catalog Number	Case Style (Pages 266 - 268)	Approx. Dimensions (Inches)			Approx. Weight (Lbs.)	Mtg Type W - Wall F - Floor	Wiring Diagram (Pages 281 - 293)
			Width	Depth	Height			
0.05	C1FC05LE	NQ0	3.75	5.25	7.25	7	W	SCD1
0.10	C1FC10LE	NQ0	3.75	5.25	7.25	7	W	SCD1
0.15	C1FC15LE	NQ0	3.75	5.25	7.25	8	W	SCD1
0.25	C1FC25LE	NQ1	4.50	5.75	7.25	9	W	SCD1
0.35	C1FC35LE	NQ1	4.50	5.75	7.25	15	W	SCD1
0.50	C1FC50LE	NQ1	4.50	5.75	7.25	16	W	SCD1
0.75	C1FC75LES	NQ2	5.00	4.75	9.25	23	W	SCD1
1	C1F1C0LES	NQ3	5.88	5.50	10.50	24	W	SCD1
1.5	C1F1C5LES	NQ3	5.88	5.50	10.50	33	W	SCD1
2	C1F002LES	NQ4	7.00	6.50	11.75	42	W	SCD1
3	C1F003LES	NQ4	7.00	6.50	11.75	55	W	SCD1
5	C1F005LES	NQ5	10.00	7.75	17.25	115	W	SCD1
7.5	C1F007LES	NQ6A	12.25	9.25	17.63	148	W	SCD2
10	C1F010LES	NQ6	12.25	9.25	20.88	179	W	SCD2
15	C1F015LES	NQ7	14.50	10.75	21.38	265	W	SCD2
25	C1F025LES	NQ8	14.50	10.75	27.38	385	W	SCD2
37.5	C1F037LES	NQS10	21.88	18.50	31.00	598	F or W*	SCD2

\*OPTIONAL WALL MOUNTING KIT REQUIRED.  
REFER TO PAGE 278 FOR DETAILS.

277 Primary Volts

120/240 Secondary Volts

50/60 Hz

kVA	Catalog Number	Case Style (Pages 266 - 268)	Approx. Dimensions (Inches)			Approx. Weight (Lbs.)	Mtg Type W - Wall F - Floor	Wiring Diagram (Pages 281 - 293)
			Width	Depth	Height			
0.05	C1FC05CE	NQ0	3.75	5.25	7.25	7	W	SCD4
0.10	C1FC10CE	NQ0	3.75	5.25	7.25	7	W	SCD4
0.15	C1FC15CE	NQ0	3.75	5.25	7.25	8	W	SCD4
0.25	C1FC25CE	NQ0	3.75	5.25	7.25	9	W	SCD4
0.35	C1FC35CE	NQ2	5.00	4.75	8.25	15	W	SCD4
0.50	C1FC50CE	NQ2	5.00	4.75	8.25	15	W	SCD4
0.75	C1FC75CES	NQ2	5.00	4.75	8.25	23	W	SCD4
1	C1F1C0CES	NQ3	5.88	5.50	10.50	24	W	SCD4
1.5	C1F1C5CES	NQ3	5.88	5.50	10.50	33	W	SCD4
2	C1F002CES	NQ4	7.00	6.50	11.75	42	W	SCD4
3	C1F003CES	NQ4	7.00	6.50	11.75	55	W	SCD4
5	C1F005CES	NQ5	10.00	7.75	17.25	115	W	SCD4
7.5	C1F007CES	NQ6A	12.25	9.25	17.63	148	W	SCD2
10	C1F010CES	NQ6	12.25	9.25	20.88	178	W	SCD2

277/480 Primary Volts

208/277 Secondary Volts

50/60 Hz

kVA	Catalog Number	Case Style (Pages 266 - 268)	Approx. Dimensions (Inches)			Approx. Weight (Lbs.)	Mtg Type W - Wall F - Floor	Wiring Diagram (Pages 281 - 293)
			Width	Depth	Height			
0.05	C1FC05HR	NQ0	3.75	5.25	7.25	7	W	SCD42
0.10	C1FC10HR	NQ0	3.75	5.25	7.25	8	W	SCD42
0.15	C1FC15HR	NQ0	3.75	5.25	7.25	11	W	SCD42
0.25	C1FC25HR	NQ1	4.50	5.75	7.25	12	W	SCD42
0.35	C1FC35HR	NQ2	5.00	4.75	9.25	15	W	SCD42
0.50	C1FC50HR	NQ2	5.00	4.75	9.25	18	W	SCD42
0.75	C1FC75HRS	NQ3	5.88	5.50	10.50	25	W	SCD42
1	C1F1C0HRS	NQ3	5.88	5.50	10.50	31	W	SCD42
1.5	C1F1C5HRS	NQ4	7.00	6.50	11.75	39	W	SCD42
2	C1F002HRS	NQ4	7.00	6.50	11.75	54	W	SCD42
3	C1F003HRS	NQ5	10.00	7.75	17.25	80	W	SCD43
5	C1F005HRS	NQ5	10.00	7.75	17.25	156	W	SCD43
7.5	C1F007HRS	NQ6	12.25	9.25	20.88	188	W	SCD43
10	C1F010HRS	NQ6	12.25	9.25	20.88	179	W	SCD43



SECTION 8

## SINGLE PHASE, NEMA 3R STYLE ENCLOSURE



347/380 Primary Volts **CE** 120/240 Secondary Volts

50/60 Hz

kVA	Catalog Number	Case Style (Pages 266 - 268)	Approx. Dimensions (Inches)			Approx. Weight (Lbs.)	Mtg Type W - Wall F - Floor	Wiring Diagram (Pages 281 - 293)
			Width	Depth	Height			
0.05	C1FC05JE	NQ0	3.75	5.25	7.25	7	W	SCD33
0.10	C1FC10JE	NQ0	3.75	5.25	7.25	7	W	SCD33
0.15	C1FC15JE	NQ0	3.75	5.25	7.25	8	W	SCD33
0.25	C1FC25JE	NQ0	3.75	5.25	7.25	9	W	SCD33
0.35	C1FC35JE	NQ1	4.50	5.75	7.25	14	W	SCD33
0.50	C1FC50JE	NQ1	4.50	5.75	7.25	14	W	SCD33
0.75	C1FC75JES	NQ2	5.00	4.75	9.25	23	W	SCD33
1	C1F1C0JES	NQ3	5.88	5.50	10.50	32	W	SCD33
1.5	C1F1C5JES	NQ3	5.88	5.50	10.50	35	W	SCD33
2	C1F002JES	NQ4	7.00	6.50	11.75	51	W	SCD33
3	C1F003JES	NQ5	10.00	7.75	17.25	98	W	SCD33
5	C1F005JES	NQ5	10.00	7.75	17.25	120	W	SCD44
7.5	C1F007JES	NQ6A	12.25	9.25	17.63	162	W	SCD44
10	C1F010JES	NQ6	12.25	9.25	20.88	194	W	SCD44

600 Primary Volts 120/240 Secondary Volts

60 Hz

kVA	Catalog Number	Case Style (Pages 266 - 268)	Approx. Dimensions (Inches)			Approx. Weight (Lbs.)	Mtg Type W - Wall F - Floor	Wiring Diagram (Pages 281 - 293)
			Width	Depth	Height			
0.05	C1FC05PE	NQ0	3.75	5.25	7.25	7	W	SCD4
0.10	C1FC10PE	NQ0	3.75	5.25	7.25	7	W	SCD4
0.15	C1FC15PE	NQ0	3.75	5.25	7.25	8	W	SCD4
0.25	C1FC25PE	NQ0	3.75	5.25	7.25	9	W	SCD4
0.35	C1FC35PE	NQ1	4.50	5.75	7.25	15	W	SCD4
0.50	C1FC50PE	NQ1	4.50	5.75	7.25	16	W	SCD4
0.75	C1FC75PES	NQ2	5.00	4.75	9.25	23	W	SCD4
1	C1F1C0PES	NQ3	5.88	5.50	10.50	24	W	SCD4
1.5	C1F1C5PES	NQ3	5.88	5.50	10.50	33	W	SCD4
2	C1F002PES	NQ4	7.00	6.50	11.75	42	W	SCD4
3	C1F003PES	NQ4	7.00	6.50	11.75	55	W	SCD4
5	C1F005PES	NQ5	10.00	7.75	17.25	120	W	SCD4
7.5	C1F007PES	NQ6A	12.25	9.25	17.63	148	W	SCD5
10	C1F010PES	NQ6	12.25	9.25	20.88	179	W	SCD5
15	C1F015PES	NQ7	14.50	10.75	21.38	265	W	SCD5
25	C1F025PES	NQ8	14.50	10.75	27.38	385	W	SCD5
37.5	C1F037PES	NQS10	21.88	18.50	31.00	598	F or W*	SCD5

\*OPTIONAL WALL MOUNTING KIT REQUIRED. REFER TO PAGE 278 FOR DETAILS.

## Export Model



190/200/208/220/240<sup>1</sup> X 380/400/416/440/480<sup>1</sup> Primary Volts 120/240 Secondary Volts 50/60 Hz

kVA	Catalog Number	Case Style (Pages 266 - 268)	Approx. Dimensions (Inches)			Approx. Weight (Lbs.)	Mtg Type W - Wall F - Floor	Wiring Diagram (Pages 281 - 293)
			Width	Depth	Height			
0.05	C1FC05XE	NQ0	3.75	5.25	7.25	7	W	SCD28
0.10	C1FC10XE	NQ0	3.75	5.25	7.25	7	W	SCD28
0.15	C1FC15XE	NQ0	3.75	5.25	7.25	9	W	SCD28
0.25	C1FC25XE	NQ0	3.75	5.25	7.25	10	W	SCD28
0.35	C1FC35XE	NQ1	4.50	5.75	7.25	15	W	SCD28
0.50	C1FC50XE	NQ1	4.50	5.75	7.25	16	W	SCD28
0.75	C1FC75XES	NQ2	5.00	4.75	9.25	24	W	SCD28
1	C1F1C0XES	NQ3	5.88	5.50	10.50	32	W	SCD28
1.5	C1F1C5XES	NQ4	7.00	6.50	11.75	37	W	SCD28
2	C1F002XES	NQ4	7.00	6.50	11.75	52	W	SCD28
3	C1F003XES	NQ5	10.00	7.75	17.25	97	W	SCD2
5	C1F005XES	NQ5	10.00	7.75	17.25	120	W	SCD2
7.5	C1F007XES	NQ6A	12.25	9.25	17.63	148	W	SCD2
10	C1F010XES	NQ6	12.25	9.25	20.88	179	W	SCD2

Note <sup>1</sup>: The primary voltage ratio of 240 or 480 is available at 60Hz only with a secondary voltage of approximately 130/262V.



## HPS FORTRESS™

### COMMERCIAL ENCAPSULATED DISTRIBUTION TRANSFORMERS THREE PHASE STANDARD SPECIFICATIONS

2 TO 3 KVA



6 TO 75 KVA



	2 kVA to 3 kVA	6 kVA to 75 kVA
<b>UL Listed</b>	File: E50394	File: E50394
<b>CSA Certified</b>	File: LR3902	File: LR3902
<b>Frequency</b>	60 Hz (50/60 Hz)	60 Hz (50/60 Hz)
<b>Insulation System</b>	130°C standard on all units.	180°C standard on all units.
<b>Electrostatic Shield</b>	Standard on all units.	Standard on all units.
<b>Encapsulation</b>	All units are encapsulated with electrical grade silica sand and resin compounds.	All units are encapsulated with electrical grade silica sand and resin compounds.
<b>Enclosure Type</b>	Type 3R	Type 3R
<b>Enclosure Finish</b>	ANSI 61 Grey, UL50	ANSI 61 Grey, UL50
<b>Termination</b>	Top accessible separate high and low voltage lead wires or copper tabs.	Top accessible separate high and low voltage lead wires or copper tabs.
<b>Conduit Knock-Outs</b>	Standard side and rear knock-outs on all units (no knock-outs on Stainless Steel enclosures).	Standard side and rear knock-outs on all units (no knock-outs on Stainless Steel enclosures).
<b>Impedance</b>	Typically 4 to 8%	Typically 1 to 5%.
<b>Mounting</b>	Standard Wall Mounting Lifting provisions standard on all units.	Standard Wall Mounting up to (but not including) 15 kVA (optional wall mounting kit available for 15 kVA, 30 kVA and 45 kVA). Floor mount only over 45 kVA. Lifting provisions standard 6 kVA to 75 kVA.
<b>Sound Level</b>	Meets NEMA ST-20 standards.	Meets NEMA ST-20 standards.

Other voltages and kVA ratings not listed in this section are available upon request. Please contact customer service for details, price and availability.

# SECTION 8

# COMMERCIAL ENCAPSULATED

## THREE PHASE, NEMA 3R STYLE ENCLOSURE



208 Primary Volts

208Y/120 Secondary Volts

60 Hz

kVA	Catalog Number	Case Style (Pages 266 - 268)	Approx. Dimensions (Inches)			Approx. Weight (Lbs.)	Mtg Type W - Wall F - Floor	Wiring Diagram (Pages 281 - 293)
			Width	Depth	Height			
2	C3F002BBS	NQT3	12.38	5.44	11.13	50	W	SCD8
3	C3F003BBS	NQT3	12.38	5.44	11.13	70	W	SCD8
6	C3F006BBS	NQT5	16.63	10.25	16.63	140	W	SCD8
9	C3F009BBS	NQT6	19.25	10.44	16.63	210	W	SCD8
15	C3F015BBS	NQT7	20.25	13.00	23.38	350	F or W*	SCD8
30	C3F030BBS	NQT8	22.25	13.00	28.38	525	F or W*	SCD9
45	C3F045BBS	NQT9	31.50	16.00	29.88	700	F or W*	SCD9
75	C3F075BBS	NQT9A	34.63	18.50	36.75	1420	F	SCD9

\*OPTIONAL WALL MOUNTING KIT REQUIRED.  
REFER TO PAGE 278 FOR DETAILS.

208 Primary Volts

480Y/277 Secondary Volts

60 Hz

kVA	Catalog Number	Case Style (Pages 266 - 268)	Approx. Dimensions (Inches)			Approx. Weight (Lbs.)	Mtg Type W - Wall F - Floor	Wiring Diagram (Pages 281 - 293)
			Width	Depth	Height			
2	C3F002BKS	NQT3	12.38	5.44	11.13	50	W	SCD23
3	C3F003BKS	NQT3	12.38	5.44	11.13	70	W	SCD23
6	C3F006BKS	NQT5	16.63	10.25	16.63	140	W	SCD23
9	C3F009BKS	NQT6	19.25	10.44	16.63	210	W	SCD23
15	C3F015BKS	NQT7	20.25	13.00	23.38	350	F or W*	SCD23
30	C3F030BKS	NQT8	22.25	13.00	28.38	525	F or W*	SCD26
45	C3F045BKS	NQT9	31.50	16.00	29.88	700	F or W*	SCD26
75	C3F075BKS	NQT9A	34.63	18.50	36.75	1420	F	SCD26

\*OPTIONAL WALL MOUNTING KIT REQUIRED.  
REFER TO PAGE 278 FOR DETAILS.

240 Primary Volts

208Y/120 Secondary Volts

60 Hz

kVA	Catalog Number	Case Style (Pages 266 - 268)	Approx. Dimensions (Inches)			Approx. Weight (Lbs.)	Mtg Type W - Wall F - Floor	Wiring Diagram (Pages 281 - 293)
			Width	Depth	Height			
2	C3F002DBS	NQT3	12.38	5.44	11.13	50	W	SCD8
3	C3F003DBS	NQT3	12.38	5.44	11.13	70	W	SCD8
6	C3F006DBS	NQT5	16.63	10.25	16.63	140	W	SCD8
9	C3F009DBS	NQT6	19.25	10.44	16.63	210	W	SCD8
15	C3F015DBS	NQT7	20.25	13.00	23.38	350	F or W*	SCD8
30	C3F030DBS	NQT8	22.25	13.00	28.38	525	F or W*	SCD9
45	C3F045DBS	NQT9	31.50	16.00	29.88	700	F or W*	SCD9
75	C3F075DBS	NQT9A	34.63	18.50	36.75	1420	F	SCD9

\*OPTIONAL WALL MOUNTING KIT REQUIRED.  
REFER TO PAGE 278 FOR DETAILS.

240 Primary Volts

480Y/277 Secondary Volts

60 Hz

kVA	Catalog Number	Case Style (Pages 266 - 268)	Approx. Dimensions (Inches)			Approx. Weight (Lbs.)	Mtg Type W - Wall F - Floor	Wiring Diagram (Pages 281 - 293)
			Width	Depth	Height			
2	C3F002DKS	NQT3	12.38	5.44	11.13	50	W	SCD23
3	C3F003DKS	NQT3	12.38	5.44	11.13	70	W	SCD23
6	C3F006DKS	NQT5	16.63	10.25	16.63	140	W	SCD23
9	C3F009DKS	NQT6	19.25	10.44	16.63	210	W	SCD23
15	C3F015DKS	NQT7	20.25	13.00	23.38	350	F or W*	SCD23
30	C3F030DKS	NQT8	22.25	13.00	28.38	525	F or W*	SCD26
45	C3F045DKS	NQT9	31.50	16.00	29.88	700	F or W*	SCD26
75	C3F075DKS	NQT9A	34.63	18.50	36.75	1420	F	SCD26

\*OPTIONAL WALL MOUNTING KIT REQUIRED.  
REFER TO PAGE 278 FOR DETAILS.





## THREE PHASE, NEMA 3R STYLE ENCLOSURE



480 Primary Volts

208Y/120 Secondary Volts

60 Hz

kVA	Catalog Number	Case Style (Pages 266 - 268)	Approx. Dimensions (Inches)			Approx. Weight (Lbs.)	Mtg Type W - Wall F - Floor	Wiring Diagram (Pages 281 - 293)
			Width	Depth	Height			
2	C3F002KBS	NQT3	12.38	5.44	11.13	50	W	SCD8
3	C3F003KBS	NQT3	12.38	5.44	11.13	70	W	SCD8
6	C3F006KBS	NQT5	16.63	10.25	16.63	140	W	SCD8
9	C3F009KBS	NQT6	19.25	10.44	16.63	210	W	SCD8
15	C3F015KBS	NQT7	20.25	13.00	23.38	350	F or W*	SCD8
30	C3F030KBS	NQT8	22.25	13.00	28.38	525	F or W*	SCD9
45	C3F045KBS	NQT9	31.50	16.00	29.88	700	F or W*	SCD9
75	C3F075KBS	NQT9A	34.63	18.50	36.75	1420	F	SCD9

\*OPTIONAL WALL MOUNTING KIT REQUIRED.  
REFER TO PAGE 278 FOR DETAILS.

480 Primary Volts

240D Secondary Volts

60 Hz

kVA	Catalog Number	Case Style (Pages 266 - 268)	Approx. Dimensions (Inches)			Approx. Weight (Lbs.)	Mtg Type W - Wall F - Floor	Wiring Diagram (Pages 281 - 293)
			Width	Depth	Height			
2	C3F002KDS	NQT3	12.38	5.44	11.13	50	W	SCD12
3	C3F003KDS	NQT3	12.38	5.44	11.13	70	W	SCD12
6	C3F006KDS	NQT5	16.63	10.25	16.63	140	W	SCD12
9	C3F009KDS	NQT6	19.25	10.44	16.63	210	W	SCD12
15	C3F015KDS	NQT7	20.25	13.00	23.38	350	F or W*	SCD12
30	C3F030KDS	NQT8	22.25	13.00	28.38	525	F or W*	SCD38
45	C3F045KDS	NQT9	31.50	16.00	29.88	700	F or W*	SCD38
75	C3F075KDS	NQT9A	34.63	18.50	36.75	1420	F	SCD38

\*OPTIONAL WALL MOUNTING KIT REQUIRED.  
REFER TO PAGE 278 FOR DETAILS.

600 Primary Volts

208Y/120 Secondary Volts

60 Hz

kVA	Catalog Number	Case Style (Pages 266 - 268)	Approx. Dimensions (Inches)			Approx. Weight (Lbs.)	Mtg Type W - Wall F - Floor	Wiring Diagram (Pages 281 - 293)
			Width	Depth	Height			
2	C3F002PBS	NQT3	12.38	5.44	11.13	50	W	SCD8
3	C3F003PBS	NQT3	12.38	5.44	11.13	70	W	SCD8
6	C3F006PBS	NQT5	16.63	10.25	16.63	140	W	SCD8
9	C3F009PBS	NQT6	19.25	10.44	16.63	210	W	SCD8
15	C3F015PBS	NQT7	20.25	13.00	23.38	350	F or W*	SCD8
30	C3F030PBS	NQT8	22.25	13.00	28.38	525	F or W*	SCD9
45	C3F045PBS	NQT9	31.50	16.00	29.88	700	F or W*	SCD9
75	C3F075PBS	NQT9A	34.63	18.50	36.75	1420	F	SCD9

\*OPTIONAL WALL MOUNTING KIT REQUIRED.  
REFER TO PAGE 278 FOR DETAILS.

600 Primary Volts

240D Secondary Volts

60 Hz

kVA	Catalog Number	Case Style (Pages 266 - 268)	Approx. Dimensions (Inches)			Approx. Weight (Lbs.)	Mtg Type W - Wall F - Floor	Wiring Diagram (Pages 281 - 295)
			Width	Depth	Height			
2	C3F002PDS	NQT3	12.38	5.44	11.13	50	W	SCD12
3	C3F003PDS	NQT3	12.38	5.44	11.13	70	W	SCD12
6	C3F006PDS	NQT5	16.63	10.25	16.63	140	W	SCD12
9	C3F009PDS	NQT6	19.25	10.44	16.63	210	W	SCD12
15	C3F015PDS	NQT7	20.25	13.00	23.38	350	F or W*	SCD12
30	C3F030PDS	NQT8	22.25	13.00	28.38	525	F or W*	SCD45
45	C3F045PDS	NQT9	31.50	16.00	29.88	700	F or W*	SCD45
75	C3F075PDS	NQT9A	34.63	18.50	36.75	1420	F	SCD45

\*OPTIONAL WALL MOUNTING KIT REQUIRED.  
REFER TO PAGE 278 FOR DETAILS.



## HPS Titan® Applications

The HPS Titan® line of transformers have been designed for installation in harsh environments where efficiency and performance are key. Typical applications include institutional, commercial, industrial, petrochemical, marine, mining, etc. HPS Titan® designs provide:

- **Superior Performance**
- **Compact Efficient Design**
- **Easy Installation and Hook-up**

HHPS Titan® Series transformers are UL Listed for “Class 1, Division 2, Groups A, B, C, and D Hazardous Locations” and also meet ABS Type Approval for “Marine Duty Service and Offshore Applications - Electrical Distribution and Propulsion”. With a North American Temperature Classification of T3C, the HPS Titan Series will remain cool under load.



## HPS Titan® Features and Benefits

Features	Single Phase	Three Phase
<b>Voltage Groups</b>	5 standard voltage groups	5 standard voltage groups
<b>Ratings</b>	0.5 kVA to 37.5 kVA	2 kVA to 150 kVA
<b>Frequency</b>	60 Hz (50/60 Hz on units with 380V primary)	60 Hz (50/60 Hz on units with 380V primary)
<b>Electrostatic Shield</b>	Optional on 0.50 kVA Standard on 0.75 kVA to 37.5 kVA	Standard on all units
<b>Encapsulated</b>	All units are encapsulated with electrical grade silica sand and resin compounds	
<b>Enclosure</b>	Heavy duty type 3R Optional type 4, 4X (stainless steel) and 12	Heavy duty type 3R Optional type 4, 4X (stainless steel) and 12 Optional gasket kit
<b>Terminations</b>	Front accessible separated high and low voltage lead wires or copper tabs	Top accessible separate high and low voltage lead wires or copper tabs
<b>Insulation System</b>	130°C (80°C rise) up to 1 kVA 180°C (115°C rise) 1.5 kVA to 37.5 kVA	130°C (80°C rise) up to 5 kVA (Optional on 6 kVA to 150 kVA) 180°C (115°C rise) 6 kVA to 150 kVA
<b>Mounting</b>	Standard wall mounting with keyhole mounting slots. Lifting provisions standard from 5 kVA to 37.5 kVA.	Standard wall mounting with keyhole mounting slots 2 kVA to 15 kVA (Optional wall mounting kit available for 30 kVA and 45 kVA). Floor Mounted 25 kVA to 150 kVA. Lifting provisions standard on 6 kVA to 150 kVA.
<b>Conduit Knockouts</b>	For rear and side entry into an easily accessible and spacious wiring compartment (no knock-outs on Stainless Steel enclosures).	
<b>Approvals</b>	ANSI/ISA 12.12.10 - File No. E258346 (Class 1, Division 2, Groups A, B, C, and D Hazardous Locations) - T3C Temperature Classification UL 508 Listed - File No. E258346 UL Certificate No. 04-HS435190/1-PDA (Marine Duty Service and Offshore Applications) ABS Type Approval	
<b>Warranty</b>	All HPS standard catalog encapsulated transformers come with a 10 year limited warranty (please refer to the HPS standard Catalog Transformer Products Warranty for full details)	



## HPS TITAN® TRANSFORMERS FOR HARSH ENVIRONMENTS AND HAZARDOUS LOCATIONS

### SINGLE PHASE STANDARD SPECIFICATIONS

#### 0.50 TO 1 KVA



#### 1.5 TO 37.5 KVA



	0.50 kVA to 1 kVA	1.5 kVA to 37.5 kVA
<b>ANSI/ISA 12.12.10</b>	File No. E258346 (Class 1, Division 2, Groups A, B, C, and D Hazardous Locations) - T3C Temperature Classification	File No. E258346 (Class 1, Division 2, Groups A, B, C, and D Hazardous Locations) - T3C Temperature Classification
<b>ABS Type Approval (RQS)</b>	Certificate No.: 04-HS435190/1-PDA	Certificate No.: 04-HS435190/1-PDA
<b>North American Temperature Classification</b>	T3C Approval	T3C Approval
<b>Frequency</b>	60 Hz (50/60 Hz on units with 380V primary)	60 Hz (50/60 Hz on units with 380V primary)
<b>Insulation System</b>	130°C (80°C rise) standard on all units.	180°C (115°C rise) standard on all units. Optional 130°C (80°C rise) available.
<b>Electrostatic Shield</b>	Optional on 0.50 kVA. Standard on 0.75 kVA and 1 kVA.	Standard on all units.
<b>Encapsulation</b>	All units are encapsulated with electrical grade silica sand and resin compounds.	All units are encapsulated with electrical grade silica sand and resin compounds.
<b>Enclosure Type</b>	Heavy duty type 3R Optional type 4, 4X (stainless steel) and 12	Heavy duty type 3R Optional type 4, 4X (stainless steel) and 12
<b>Enclosure Finish</b>	ANSI 61 Grey, UL50	ANSI 61 Grey, UL50
<b>Termination</b>	Front accessible separate high and low voltage lead wires or copper tabs.	Front accessible separate high and low voltage lead wires or copper tabs.
<b>Conduit Knock-Outs</b>	Standard side and rear knock-outs on all units (no knock-outs on Stainless Steel enclosures).	Standard side and rear knock-outs on all units (no knock-outs on Stainless Steel enclosures).
<b>Impedance</b>	Typically 5 to 10% on 0.50 kVA. Typically 1 to 5% on 0.75 kVA and 1 kVA	Typically 1 to 5%.
<b>Mounting</b>	Standard Wall Mounting Lifting provisions standard on all units.	Standard Wall Mounting Lifting provisions standard on units.
<b>Seismic</b>	Seismically certified in accordance with IBC 2009; Section 1613 Earthquake Loads, for $S_{DS} \leq 2.00g$ , $z/h = 1.0$ , and $I_p = 1.5$	Seismically certified in accordance with IBC 2009; Section 1613 Earthquake Loads, for $S_{DS} \leq 2.00g$ , $z/h = 1.0$ , and $I_p = 1.5$
<b>Sound Level</b>	Meets NEMA ST-20 standards. (Optional low noise units available on request)	Meets NEMA ST-20 standards. (Optional low noise units available on request)

Other voltages and kVA ratings not listed in this section are available upon request. Please contact customer service for details, price and availability.

All HPS TITAN single phase transformers are UL Listed for "Class 1, Division 2, Groups A, B, C and D Hazardous Locations" and are ABS Type Approved for "Marine Duty Service and Offshore Applications - Electrical Distribution and Propulsion".



SECTION 8

## SINGLE PHASE, NEMA 3R STYLE ENCLOSURE



208/240/277 Primary Volts

120/240 Secondary Volts

60 Hz

kVA	Catalog Number	Case Style (Pages 266 - 268)	Approx. Dimensions (Inches)			Approx. Weight (Lbs.)	Mtg Type W - Wall F - Floor	Wiring Diagram (Pages 281 - 293)
			Width	Depth	Height			
0.50	QC50YECB	NQ2	5.00	4.75	9.25	19	W	SCD 18
0.75	QC75YEKB	NQ2	5.00	4.75	9.25	21	W	SCD 18
1	Q1C0YEKB	NQ3	5.88	5.50	10.50	28	W	SCD 18
1.5	Q1C5YEKF	NQ3	5.88	5.50	10.50	36	W	SCD 18
2	Q002YEKF	NQ4	7.00	6.50	11.75	44	W	SCD 18
3	Q003YEKF	NQ4	7.00	6.50	11.75	56	W	SCD 18
5	Q005YEKF	NQ5	10.00	7.75	17.25	134	W	SCD 6
7.5	Q007YEKF	NQ5	10.00	7.75	17.25	160	W	SCD 6
10	Q010YEKF	NQ6	12.25	9.25	20.88	204	W	SCD 6
15	Q015YEKF	NQ6	12.25	9.25	20.88	248	W	SCD 6
25	Q025YEKF	NQ7	14.50	10.75	21.38	345	W	SCD 6
37.5	Q037YEKF	NQ8	14.50	10.75	27.38	476	W	SCD 6

For shielded 0.50 kVA units, replace the suffix "CB" with a "KB".

347/380 Primary Volts



120/240 Secondary Volts

50/60 Hz

kVA	Catalog Number	Case Style (Pages 266 - 268)	Approx. Dimensions (Inches)			Approx. Weight (Lbs.)	Mtg Type W - Wall F - Floor	Wiring Diagram (Pages 281 - 293)
			Width	Depth	Height			
0.50	QC50FECB	NQ2	5.00	4.75	9.25	18	W	SCD 33
0.75	QC75FEKB	NQ2	5.00	4.75	9.25	20	W	SCD 33
1	Q1C0FEKB	NQ3	5.88	5.50	10.50	26	W	SCD 33
1.5	Q1C5FEKF	NQ3	5.88	5.50	10.50	36	W	SCD 33
2	Q002FEKF	NQ4	7.00	6.50	11.75	55	W	SCD 33
3	Q003FEKF	NQ5	10.00	7.75	17.25	98	W	SCD 44
5	Q005FEKF	NQ5	10.00	7.75	17.25	130	W	SCD 44
7.5	Q007FEKF	NQ6	12.25	9.25	20.88	145	W	SCD 44
10	Q010FEKF	NQ6	12.25	9.25	20.88	155	W	SCD 44
15	Q015FEKF	NQ6	12.25	9.25	20.88	248	W	SCD 44
25	Q025FEKF	NQ7	14.50	10.75	21.38	345	W	SCD 44
37.5	Q037FEKF	NQ8	14.50	10.75	27.38	476	W	SCD 48

For shielded 0.50 kVA units, replace the suffix "CB" with a "KB".

240 X 480 Primary Volts

120/240 Secondary Volts

60 Hz

kVA	Catalog Number	Case Style (Pages 266 - 268)	Approx. Dimensions (Inches)			Approx. Weight (Lbs.)	Mtg Type W - Wall F - Floor	Wiring Diagram (Pages 281 - 293)
			Width	Depth	Height			
0.50	QC50LECB	NQ2	5.00	4.75	9.25	23	W	SCD 1
0.75	QC75LEKB	NQ2	5.00	4.75	9.25	24	W	SCD 1
1	Q1C0LEKB	NQ3	5.88	5.50	10.50	28	W	SCD 1
1.5	Q1C5LEKF	NQ3	5.88	5.50	10.50	35	W	SCD 1
2	Q002LEKF	NQ4	7.00	6.50	11.75	47	W	SCD 1
3	Q003LEKF	NQ4	7.00	6.50	11.75	62	W	SCD 1
5	Q005LEKF	NQ5	10.00	7.75	17.25	131	W	SCD 1
7.5	Q007LEKF	NQ5	10.00	7.75	17.25	155	W	SCD 2
10	Q010LEKF	NQ6	12.25	9.25	20.88	220	W	SCD 2
15	Q015LEKF	NQ6	12.25	9.25	20.88	248	W	SCD 2
25	Q025LEKF	NQ7	14.50	10.75	21.38	345	W	SCD 2
37.5	Q037LEKF	NQ8	14.50	10.75	27.38	476	W	SCD 2

For shielded 0.50 kVA units, replace the suffix "CB" with a "KB".





600 Primary Volts

120/240 Secondary Volts

60 Hz

kVA	Catalog Number	Case Style (Pages 266 - 268)	Approx. Dimensions (Inches)			Approx. Weight (Lbs.)	Mtg Type W - Wall F - Floor	Wiring Diagram (Pages 281 - 293)
			Width	Depth	Height			
0.50	QC50PECB	NQ2	5.00	4.75	9.25	15	W	SCD 4
0.75	QC75PEKB	NQ2	5.00	4.75	9.25	18	W	SCD 4
1	Q1C0PEKB	NQ3	5.88	5.50	10.50	27	W	SCD 4
1.5	Q1C5PEKF	NQ3	5.88	5.50	10.50	31	W	SCD 4
2	Q002PEKF	NQ4	7.00	6.50	11.75	40	W	SCD 4
3	Q003PEKF	NQ4	7.00	6.50	11.75	52	W	SCD 4
5	Q005PEKF	NQ5	10.00	7.75	17.25	114	W	SCD 4
7.5	Q007PEKF	NQ5	10.00	7.75	17.25	129	W	SCD 5
10	Q010PEKF	NQ6	12.25	9.25	20.88	197	W	SCD 5
15	Q015PEKF	NQ6	12.25	9.25	20.88	234	W	SCD 5
25	Q025PEKF	NQ7	14.50	10.75	21.38	285	W	SCD 6
37.5	Q037PEKF	NQ8	14.50	10.75	27.38	454	W	SCD 6

For shielded 0.50 kVA units, replace the suffix "CB" with a "KB".

Export Model

190/200/208/220/240<sup>1</sup> X 380/400/415/440/480<sup>1</sup> Primary Volts 120/240 Secondary Volts 50/60 Hz

kVA	Catalog Number	Case Style (Pages 266 - 268)	Approx. Dimensions (Inches)			Approx. Weight (Lbs.)	Mtg Type W - Wall F - Floor	Wiring Diagram (Pages 281 - 293)
			Width	Depth	Height			
0.50	QC50XECB	NQ2	5.00	4.75	9.25	15	W	SCD 28
0.75	QC75XEKB	NQ2	5.00	4.75	9.25	20	W	SCD 28
1	Q1C0XEKB	NQ3	5.88	5.50	10.50	32	W	SCD 28
1.5	Q1C5XEKF	NQ3	5.88	5.50	10.50	35	W	SCD 28
2	Q002XEKF	NQ4	7.00	6.50	11.75	54	W	SCD 28
3	Q003XEKF	NQ5	10.00	7.75	17.25	105	W	SCD 2
5	Q005XEKF	NQ5	10.00	7.75	17.25	138	W	SCD 2
7.5	Q007XEKF	NQ6	12.25	9.25	20.88	189	W	SCD 2
10	Q010XEKF	NQ6	12.25	9.25	20.88	222	W	SCD 2
15	Q015XEKF	NQ7	14.5	10.75	21.38	300	W	SCD 2
25	Q025XEKF							
37.5	Q037XEKF							

For shielded 0.50 kVA units, replace the suffix "CB" with a "KB".

The above export model units carry the CE Mark.

Note <sup>1</sup>The primary voltage ratio of 240 or 480 is available at 60Hz only with a secondary voltage of approximately 130/262V.



## HPS TITAN TRANSFORMERS FOR HARSH ENVIRONMENTS AND HAZARDOUS LOCATIONS

### THREE PHASE STANDARD SPECIFICATIONS



**2 TO 15 KVA**



**30 TO 150 KVA**



	<b>2 kVA to 5 kVA</b>	<b>6 kVA to 150 kVA</b>
<b>ANSI/ISA 12.12.10</b>	File No. E258346 (Class 1, Division 2, Groups A, B, C, and D Hazardous Locations) - T3C Temperature Classification	File No. E258346 (Class 1, Division 2, Groups A, B, C, and D Hazardous Locations) - T3C Temperature Classification
<b>ABS Type Approval (RQS)</b>	Certificate No.: 04-HS435190/1-PDA	Certificate No.: 04-HS435190/1-PDA
<b>North American Temperature Classification</b>	T3C Approval	T3C Approval
<b>Frequency</b>	60 Hz (50/60 Hz on units with 380V primary)	60 Hz (50/60 Hz on units with 380V primary)
<b>Insulation System</b>	130°C (80°C rise) standard on all units.	180°C (115°C rise) standard on all units. Optional 130°C (80°C rise) available.
<b>Electrostatic Shield</b>	Standard on all units.	Standard on all units.
<b>Encapsulation</b>	All units are encapsulated with electrical grade silica sand and resin compounds.	All units are encapsulated with electrical grade silica sand and resin compounds.
<b>Enclosure Type</b>	Heavy duty type 3R Optional type 4, 4X (stainless steel) and 12	Heavy duty type 3R Optional type 4, 4X (stainless steel) and 12
<b>Enclosure Finish</b>	ANSI 61 Grey, UL50	ANSI 61 Grey, UL50
<b>Termination</b>	Top accessible separate high and low voltage lead wires or copper tabs.	Top accessible separate high and low voltage lead wires or copper tabs.
<b>Conduit Knock-Outs</b>	Standard side and rear knock-outs on all units (no knock-outs on Stainless Steel enclosures).	Standard side and rear knock-outs on all units (no knock-outs on Stainless Steel enclosures).
<b>Impedance</b>	Typically 1 to 5%.	Typically 1 to 5%.
<b>Mounting</b>	Standard Wall Mounting.	Standard Wall Mounting up to 15 kVA (Optional wall mounting kit available for 30 kVA and 45 kVA). Floor Mount only over 45 kVA. Lifting provisions standard 6 kVA to 150 kVA.
<b>Seismic</b>	Seismically certified in accordance with IBC 2009; Section 1613 Earthquake Loads, for $S_{DS} \leq 2.00g$ , $z/h = 1.0$ , and $I_p = 1.5$	Seismically certified in accordance with IBC 2009; Section 1613 Earthquake Loads, for $S_{DS} \leq 2.00g$ , $z/h = 1.0$ , and $I_p = 1.5$
<b>Sound Level</b>	Meets NEMA ST-20 standards. (Optional low noise units available on request)	Meets NEMA ST-20 standards. (Optional low noise units available on request)

Other voltages and kVA ratings not listed in this section are available upon request. Please contact customer service for details, price and availability.

All HPS TITAN three phase transformers are UL Listed for "Class 1, Division 2, Groups A, B, C and D Hazardous Locations" and are ABS Type Approved for "Marine Duty Service and Offshore Applications - Electrical Distribution and Propulsion".



## THREE PHASE, NEMA 3R STYLE ENCLOSURE



480 Delta Primary Volts

208Y/120 Secondary Volts

60 Hz

kVA	Catalog Number	Case Style (Pages 266 - 268)	Approx. Dimensions (Inches)			Approx. Weight (Lbs.)	Mtg Type W - Wall F - Floor	Wiring Diagram (Pages 281 - 293)
			Width	Depth	Height			
2	P002KBKB	NQT3	12.38	5.44	12.39	49	W	SCD 8
3	P003KBKB	NQT3	12.38	5.44	12.39	86	W	SCD 8
6	P006KBKF	NQT4	15.19	6.94	16.39	160	W	SCD 8
9	P009KBKF	NQT5	16.63	10.25	17.89	262	W	SCD 8
15	P015KBKF	NQT6	19.25	10.44	17.89	304	W	SCD 7
30	P030KBKF	NQT7	20.25	13.00	23.38	478	F or W*	SCD 19
45	P045KBKF	NQT8	22.25	13.00	28.38	642	F or W*	SCD 19
75	P075KBKF	NQT9	31.25	16.00	29.88	1450	F	SCD 19
112.5	P112KBKF	NQT10	38.44	26.00	39.13	2100	F	SCD 19
150	P150KBKF	NQT11	37.38	30.00	45.63	2650	F	SCD 19

\*OPTIONAL WALL MOUNTING KIT REQUIRED.  
REFER TO PAGE 278 FOR DETAILS.

480 Delta Primary Volts

240 Delta Secondary Volts

60 Hz

kVA	Catalog Number	Case Style (Pages 266 - 268)	Approx. Dimensions (Inches)			Approx. Weight (Lbs.)	Mtg Type W - Wall F - Floor	Wiring Diagram (Pages 281 - 293)
			Width	Depth	Height			
2	P002KDKB	NQT3	12.38	5.44	12.39	52	W	SCD 12
3	P003KDKB	NQT3	12.38	5.44	12.39	68	W	SCD 12
6	P006KDKF	NQT4	15.19	6.94	16.39	182	W	SCD 12
9	P009KDKF	NQT5	16.63	10.25	17.89	250	W	SCD 37
15	P015KDKF	NQT6	19.25	10.44	17.89	312	W	SCD 37
30	P030KDKF	NQT7	20.25	13.00	23.38	540	F or W*	SCD 38
45	P045KDKF	NQT8	22.25	13.00	28.38	650	F or W*	SCD 38
75	P075KDKF	NQT9	31.25	16.00	29.88	1230	F	SCD 38
112.5	P112KDKF	NQT10	38.44	26.00	39.13	2100	F	SCD 38
150	P150KDKF	NQT11	37.38	30.00	45.63	2650	F	SCD 38

\*OPTIONAL WALL MOUNTING KIT REQUIRED.  
REFER TO PAGE 278 FOR DETAILS.

600 Delta Primary Volts

208Y/120 Secondary Volts

60 Hz

kVA	Catalog Number	Case Style (Pages 266 - 268)	Approx. Dimensions (Inches)			Approx. Weight (Lbs.)	Mtg Type W - Wall F - Floor	Wiring Diagram (Pages 281 - 293)
			Width	Depth	Height			
2	P002PBKB	NQT3	12.38	5.44	12.39	85	W	SCD 8
3	P003PBKB	NQT3	12.38	5.44	12.39	94	W	SCD 8
6	P006PBKF	NQT4	15.19	6.94	16.39	146	W	SCD 8
9	P009PBKF	NQT5	16.63	10.25	17.89	211	W	SCD 9
15	P015PBKF	NQT6	19.25	10.44	17.89	340	W	SCD 9
30	P030PBKF	NQT7	20.25	13.00	23.38	605	F or W*	SCD 9
45	P045PBKF	NQT8	22.25	13.00	28.38	770	F or W*	SCD 9
75	P075PBKF	NQT9	31.25	16.00	29.88	1350	F	SCD 9
112.5	P112PBKF	NQT10	38.44	26.00	39.13	3150	F	SCD 9
150	P150PBKF	NQT11	37.38	30.00	45.63	3200	F	SCD 9

\*OPTIONAL WALL MOUNTING KIT REQUIRED.  
REFER TO PAGE 278 FOR DETAILS.



## THREE PHASE, NEMA 3R STYLE ENCLOSURE



600 Wye Primary Volts

240 Delta Secondary Volts

60 Hz

kVA	Catalog Number	Case Style (Pages 266 - 268)	Approx. Dimensions (Inches)			Approx. Weight (Lbs.)	Mtg Type W - Wall F - Floor	Wiring Diagram (Pages 281 - 293)
			Width	Depth	Height			
2	P002PDKB	NQT3	12.38	5.44	12.39	51	W	SCD 27
3	P003PDKB	NQT3	12.38	5.44	12.39	68	W	SCD 27
6	P006PDKF	NQT4	15.19	6.94	16.39	146	W	SCD 27
9	P009PDKF	NQT5	16.63	10.25	17.89	211	W	SCD 29
15	P015PDKF	NQT6	19.25	10.44	17.89	270	W	SCD 29
30	P030PDKF	NQT7	20.25	13.00	23.38	515	F or W*	SCD 16
45	P045PDKF	NQT8	22.25	13.00	28.38	740	F or W*	SCD 16
75	P075PDKF	NQT9	31.25	16.00	29.88	CF	F	SCD 16
112.5	P112PDKF	NQT10	38.44	26.00	39.13	CF	F	SCD 16
150	P150PDKF	NQT11	37.38	30.00	45.63	CF	F	SCD 16

\*OPTIONAL WALL MOUNTING KIT REQUIRED.  
REFER TO PAGE 278 FOR DETAILS.

600, 480 Delta Primary Volts

480Y/277 Secondary Volts

60 Hz

kVA	Catalog Number	Case Style (Pages 266 - 268)	Approx. Dimensions (Inches)			Approx. Weight (Lbs.)	Mtg Type W - Wall F - Floor	Wiring Diagram (Pages 281 - 293)
			Width	Depth	Height			
2	P002QKKB	NQT3	12.38	5.44	12.39	65	W	SCD 20
3	P003QKKB	NQT3	12.38	5.44	12.39	69	W	SCD 20
6	P006QKKF	NQT4	15.19	6.94	16.39	190	W	SCD 20
9	P009QKKF	NQT5	16.63	10.25	17.89	270	W	SCD 47
15	P015QKKF	NQT7	20.25	13.00	23.38	380	F or W*	SCD 47
30	P030QKKF	NQT7	20.25	13.00	23.38	472	F or W*	SCD 11
45	P045QKKF	NQT8	22.25	13.00	28.38	680	F or W*	SCD 11
75	P075QKKF	NQT9	31.25	16.00	29.88	1650	F	SCD 11
112.5	P112QKKF	NQT10	38.44	26.00	39.13	CF	F	Consult Factory
150	P150QKKF	NQT11	37.38	30.00	45.63	CF	F	Consult Factory

\*OPTIONAL WALL MOUNTING KIT REQUIRED.  
REFER TO PAGE 278 FOR DETAILS.









## SECTION 9

# HPS POWERPLUS™ MINI POWER CENTERS

### **Aluminum, Single Phase Mini Power Centers**

Applications & Features .....	246
Features and Benefits .....	247
Single Phase Selection Tables .....	248
Enclosure Dimensional Drawings .....	273
Wiring Schematic Drawings .....	294

## HPS PowerPlus™ Mini Power Center



### The Compact Economical Solution

The HPS PowerPlus™ is a convenient pre-wired power center that saves you time, money, and space. HPS PowerPlus combines a pre-wired primary and secondary main breaker, secondary power panel, and dry-type shielded transformer in a Type 3R enclosure.

It is ideal for applications such as in industrial locations, temporary power at construction sites, commercial buildings, test equipment, and plant assembly lines.



SECTION 9



## Features and Benefits

- Type 3R indoor/outdoor enclosure (optional 316 Stainless Steel enclosure available)
- 480 Primary, 120/240 Secondary
- Single Phase
- 60 Hz Frequency
- 5, 7.5, 10, 15, 25 kVA available
- Shielded transformer
- 180° insulation class
- 115° temperature rise
- Primary taps: 2 - 5% FCBN
- Meet NEMA, ANSI, & OSHA standards
- 15 year limited warranty on transformer
- 1 year limited warranty on Mini Power Center


**Transformer:** HPS shielded transformers are encapsulated for general purpose indoor or outdoor use within a variety of environments. An electrostatic shield is placed between the primary and secondary winding and grounded to reduce electrical interference and to provide additional protection.

**Panel Assembly:** The HPS PowerPlus assembly comes fully equipped with a primary & secondary main circuit breaker. It will hold up to 20 1-pole or 10 2-pole, one inch, common trip, duplex secondary branch circuit breakers (snap-in) and ground fault circuit breakers. Once you have established your branch circuit requirements, contact your local distributor to obtain your branch circuit breakers.

**Connections:** HPS PowerPlus accepts Aluminum or Copper conductors.

**Protection:** The transformer is protected by the primary main breaker, which handles high interrupting fault conditions. The N.E.C. requires a secondary breaker to be between the transformer and the panel.

**Approvals:**

HPS PowerPlus™:  US LISTED



## ALUMINUM WOUND, SINGLE PHASE NEMA 3R STYLE ENCLOSURE



480 Primary Volts

120/240 Secondary Volts

60 Hz

kVA	Catalog Number	Case Style (Pages 273 - 275)	Max. Secondary Circuits*		Approx. Dimensions (Inches)			Approx. Weight (Lbs.)	Mtg Type W - Wall F - Floor	Wiring Diagram (Pages 294 - 295)
			120 V (1 Pole)	240 V (2 Pole)	Width	Depth	Height			
5	<b>M1PC005LESF</b>	PPE1	8	4	11.250	7.750	31.938	127	W	SCD 49
7.5	<b>M1PC007LESF</b>	PPE2	8	4	13.875	11.125	31.938	201	W	SCD 49
10	<b>M1PC010LESF</b>	PPE3	8	4	13.875	11.125	34.188	210	W	SCD 49
15	<b>M1PC015LESF</b>	PPE4	12	6	15.125	12.500	34.188	291	W	SCD 50
25	<b>M1PC025LESF</b>	PPE5	20	10	16.250	13.625	41.563	423	W	SCD 51

\*Please contact factory for exact number of secondary circuits available

\*\*Contact factory for copper information

## ALUMINUM WOUND, SINGLE PHASE 316 STAINLESS STEEL ENCLOSURE

480 Primary Volts

120/240 Secondary Volts

60 Hz

kVA	Catalog Number	Case Style (Pages 273 - 275)	Max. Secondary Circuits*		Approx. Dimensions (Inches)			Approx. Weight (Lbs.)	Mtg Type W - Wall F - Floor	Wiring Diagram (Pages 294 - 295)
			120 V (1 Pole)	240 V (2 Pole)	Width	Depth	Height			
5	<b>M1PC005LESF7</b>	PPE1	8	4	11.250	7.750	31.938	127	W	SCD 49
7.5	<b>M1PC007LESF7</b>	PPE2	8	4	13.875	11.125	31.938	201	W	SCD 49
10	<b>M1PC010LESF7</b>	PPE3	8	4	13.875	11.125	34.188	210	W	SCD 49
15	<b>M1PC015LESF7</b>	PPE4	12	6	15.125	12.500	34.188	291	W	SCD 50
25	<b>M1PC025LESF7</b>	PPE5	20	10	16.250	13.625	41.563	423	W	SCD 51

\*Please contact factory for exact number of secondary circuits available

\*\*Contact factory for copper information

SECTION 9





## **SECTION 10**

# **AUTOTRANSFORMERS**

### **600 Volt Class, Three Phase**

<b>Description and Applications .....</b>	<b>250</b>
<b>Three Phase Standard Specifications .....</b>	<b>250</b>
<b>Three Phase Selection Tables .....</b>	<b>251</b>
<b>Enclosure Dimensional Drawings .....</b>	<b>264</b>
<b>Accessories - Enclosure Mounting Kits, Anti-Vibration Pads &amp; Isolators .....</b>	<b>276</b>

## GENERAL PURPOSE AUTOTRANSFORMERS

HPS three phase autotransformers are available for applications where small voltage corrections are necessary in a distribution system. They are frequently used as an economical alternative to general purpose distribution isolation transformers to adjust the supply voltage to match specific load requirements when load isolation from the supply line is not required. Autotransformers can be used as either a step-up or step-down transformer.

### THREE PHASE STANDARD SPECIFICATIONS

#### 3 TO (15)(30)(45) KVA

#### (30)(45)(75) TO 500 KVA



	3 kVA to (15)(30)(45) kVA	(30)(45)(75) to 500 kVA
<b>UL Listed</b>	File: E258346 (UL1604, Class I, Division 2)	File: E112313
<b>CSA Certified</b>	File: LR3902	File: LR3902
<b>ABS Type Approval</b>	Certificate No.: 04-HS435190/1-PDA	Optional
<b>Frequency</b>	60 Hz	60 Hz
<b>Insulation System</b>	130°C (80°C rise) standard on all units 180°C (115°C rise) standard on all encapsulated units	200°C (130°C rise) or 220°C (150°C rise) available.
<b>Encapsulation</b>	Select units are encapsulated with electrical grade silica sand and resin compounds.	Not Applicable (ventilated core and coil)
<b>Enclosure Type</b>	Heavy duty type 3R Optional type 4, 4X (Stainless steel) and 12.	Heavy duty type 3R Optional type 4, 4X (Stainless steel) and 12.
<b>Termination</b>	Top accessible separate high and low voltage lead wires or copper tabs.	Front accessible compartment with high and low voltage terminals; connectors suitable for copper provided where indicated.
<b>Conduit Knock-Outs</b>	Standard side and rear knock-outs on all units (no knock-outs on Stainless Steel enclosures).	Standard side knock-outs on all units (no knock-outs on Stainless Steel enclosures).
<b>Impedance</b>	Less than 3%.	Less than 3%.
<b>Mounting</b>	Refer to tables on the next page.	Refer to tables on next page.
<b>Sound Level</b>	Meets NEMA ST-20 standards. (Optional low noise available on request)	Meets NEMA ST-20 standards. (Optional low noise available on request)

**Other voltages not listed in this section are available upon request. Please contact customer service for details, price and availability.**

**Note: Autotransformers incorporate a single winding design without isolation in a Wye configuration.**

## THREE PHASE, NEMA 3R STYLE ENCLOSURE



600Y - 480Y Volts  
 480Y - 380Y Volts\*\* (Alternate Rating)

60 Hz  
 50/60 Hz\*\*

kVA		Catalog Number	Case Style (Pages 264 - 272)	Approx. Dimensions (Inches)			Approx. Weight (Lbs.)	Mtg Type W - Wall F - Floor	Wiring Diagram (Pages 281 - 293)
60 Hz	50/60 Hz			Width	Depth	Height			
3	2.4	Y003PKCB	NQT2	9.38	4.94	8.63	19	W	SCD 24
6	4.8	Y006PKCB	NQT2	9.38	4.94	8.63	26	W	SCD 24
9	7.2	Y009PKCB	NQT3	12.38	5.44	11.13	50	W	SCD 24
15	12	Y015PKCB	NQT3	12.38	5.44	11.13	60	W	SCD 24
30	24	Y030PKCF	NQT4	15.19	6.94	16.39	135	W	SCD 24
45	36	Y045PKCN	NH5	19.40	20.20	21.50	130	F or W*	SCD 24
75	60	Y075PKCN	NH5	19.40	20.20	21.50	170	F or W*	SCD 24
112.5	90	Y112PKC	NH6	23.90	25.00	28.75	245	F or W*	SCD 24
150	120	Y150PKC	NH6	23.90	25.00	28.75	285	F or W*	SCD 24
225	180	Y225PKC	NH6	23.90	25.00	28.75	360	F or W*	SCD 24
300	240	Y300PKC	NH3	26.00	21.00	38.00	500	F or W*	SCD 24
500	400	Y500PKC	NH3	26.00	21.00	38.00	650	F or W*	SCD 24

\*\*Note: The kVA rating must be reduced for operation at the Alternative Rating 480Y, 380Y (50/60 Hz).  
 Please refer to the 50/60 Hz column under kVA in the above table.  
 Above units from 3 kVA to 30 kVA are encapsulated.  
 OPTIONAL NEUTRAL AVAILABLE UPON REQUEST.

\*WALL MOUNTING KIT AND/OR DRIP PLATE KIT REQUIRED.  
 REFER TO PAGES 276 TO 277 FOR DETAILS.

600Y, 480Y - 400Y, 240Y 208Y Volts

60 Hz

kVA		Catalog Number	Case Style (Pages 264 - 272)	Approx. Dimensions (Inches)			Approx. Weight (Lbs.)	Mtg Type W - Wall F - Floor	Wiring Diagram (Pages 281 - 293)
60 Hz	50/60 Hz			Width	Depth	Height			
3		Y003QTCB	NQT3	12.38	5.44	11.13	49	W	SCD 14
6		Y006QTCB	NQT3	12.38	5.44	11.13	69	W	SCD 14
9		Y009QTCF	NQT4	15.19	6.94	16.39	138	W	SCD 14
15		Y015QTCF	NQT4	15.19	6.94	16.39	170	W	SCD 14
30		Y030QTCN	NH5	19.40	20.20	21.50	210	F or W*	SCD 14
45		Y045QTC	NH6	23.90	25.00	28.75	305	F or W*	SCD 14
75		Y075QTC	NH6	23.90	25.00	28.75	400	F or W*	SCD 14
112.5		Y112QTC	NH3	26.00	21.00	38.00	585	F or W*	SCD 14
150		Y150QTC	NH3	26.00	21.00	38.00	685	F or W*	SCD 14
225		Y225QTC	NH4	32.00	29.50	41.00	980	F	SCD 14

Above units from 3 kVA to 15 kVA are encapsulated.  
 OPTIONAL NEUTRAL AVAILABLE UPON REQUEST.

\*WALL MOUNTING KIT AND/OR DRIP PLATE KIT REQUIRED.  
 REFER TO PAGES 276 TO 277 FOR DETAILS.

240Y, 216Y - 208Y

60 Hz

kVA		Catalog Number	Case Style (Pages 264 - 272)	Approx. Dimensions (Inches)			Approx. Weight (Lbs.)	Mtg Type W - Wall F - Floor	Wiring Diagram (Pages 281 - 293)
60 Hz	50/60 Hz			Width	Depth	Height			
3		Y003CECB	NQT2	9.38	4.94	8.63	19	W	SCD 15
6		Y006CECB	NQT2	9.38	4.94	8.63	28	W	SCD 15
9		Y009CECB	NQT3	12.38	5.44	11.13	49	W	SCD 15
15		Y015CECB	NQT3	12.38	5.44	11.13	58	W	SCD 15
30		Y030CECF	NQT4	15.19	6.94	16.39	115	W	SCD 15
45		Y045CECF	NQT4	15.19	6.94	16.39	130	W	SCD 15
75		Y075CECN	NH5	19.40	20.20	21.50	170	F or W*	SCD 15

Above units from 3 kVA to 45 kVA are encapsulated.  
 OPTIONAL NEUTRAL AVAILABLE UPON REQUEST.

\*WALL MOUNTING KIT AND/OR DRIP PLATE KIT REQUIRED.  
 REFER TO PAGES 276 TO 277 FOR DETAILS.

Products listed on this page are available as 'CE Mark' products. Please consult our sales office.





If the application needs a neutral (including 3 phase 4 wire systems), the autotransformer must be ordered with the optional neutral terminals.

This option will provide the customer with a common (H0/X0) neutral connection point that is connected by the factory to the middle point of the Y winding configuration.

When selecting this option, both the Line and Load side neutral cables must be connected to the respective neutral terminals in order to ensure the proper operation of the autotransformer.

Please refer to the local electrical code requirements for grounding and the short circuit protection of a three phase autotransformer.





## SECTION 11

# HPS MILLENNIUM™ GENERAL PURPOSE MEDIUM VOLTAGE DIS- TRIBUTION TRANSFORMERS

### **2.5 KV to 5KV Class Dry Type Single Phase and Three Phase**

<b>Medium Voltage Energy Efficient Guidelines .....</b>	<b>254</b>
<b>Energy Efficient Guidelines for U.S. ....</b>	<b>254</b>
<b>Energy Efficient Guidelines for Canada .....</b>	<b>255</b>
<b>Aluminum and Copper Standard Specifications.....</b>	<b>256</b>
<b>Single Phase Aluminum Selection Tables .....</b>	<b>257</b>
<b>Single Phase Copper Selection Tables .....</b>	<b>258</b>
<b>Three Phase Aluminum Selection Tables .....</b>	<b>259</b>
<b>Three Phase Copper Selection Tables .....</b>	<b>261</b>
<b>Enclosure Dimensional Drawings .....</b>	<b>264</b>
<b>Accessories - Enclosure Mounting Kits, Anti-Vibration Pads &amp; Isolators .....</b>	<b>276</b>
<b>Termination Details .....</b>	<b>280</b>

## MEDIUM VOLTAGE DISTRIBUTION TRANSFORMER ENERGY EFFICIENCY GUIDELINES

In the past several years, there has been an accelerated rate of change to introduce energy efficiency standards for transformers in North America. In addition to the benefits to the environment, energy efficient transformers realize substantial savings in operating costs, thereby having a direct impact on the initial investment evaluated over a period of time.

### United States - Energy Efficiency Regulations

In the U.S. all medium voltage dry-type distribution transformers (as defined below) manufactured after January 1st, 2010, must meet the minimum energy efficiency standards outlined in DOE 10 CFR Part 431. The range of product covered by these standards are:

<b>Primary (high) Voltage</b>		601V to 34.5 kV
<b>Secondary (low) Voltage</b>		600V and below
<b>Dry-Type Rating</b>	<b>Single Phase</b>	15-833 kVA
	<b>Three Phase</b>	15-2500 kVA
<b>Frequency</b>		60 Hz only

For transformers exempted from the DOE efficiency regulations please refer to the following DOE link:  
[http://www.access.gpo.gov/nara/cfr/waisidx\\_09/10cfr431\\_09.html](http://www.access.gpo.gov/nara/cfr/waisidx_09/10cfr431_09.html)

US Department of Energy DOE 10 CFR Part 431 Efficiency Levels Dry-Type Distribution Transformers - <u>Medium Voltage</u>							
Single Phase				Three Phase			
kVA	20 - 45 kV BIL Efficiency (%)	46 - 95 kV BIL Efficiency (%)	≥ 96 kV BIL Efficiency (%)	kVA	20 - 45 kV BIL Efficiency (%)	46 - 95 kV BIL Efficiency (%)	≥ 96 kV BIL Efficiency (%)
15	98.10	97.86	-	15	97.50	97.18	-
25	98.33	98.12	-	30	97.90	97.63	-
37.5	98.49	98.30	-	45	98.10	97.86	-
50	98.60	98.42	-	75	98.33	98.12	-
75	98.73	98.57	98.53	112.5	98.49	98.30	-
100	98.82	98.67	98.63	150	98.60	98.42	-
167	98.96	98.83	98.80	225	98.73	98.57	98.53
250	99.07	98.95	98.91	300	98.82	98.67	98.63
333	99.14	99.03	98.99	500	98.96	98.83	98.80
500	99.22	99.12	99.09	750	99.07	98.95	98.91
667	99.27	99.18	99.15	1000	99.14	99.03	98.99
833	99.31	99.23	99.20	1500	99.22	99.12	99.09
				2000	99.27	99.18	99.15
				2500	99.31	99.23	99.20

All efficiency values are at 50% of nameplate-rated load at 75°C reference temperature.

SECTION 11



## MEDIUM VOLTAGE DISTRIBUTION TRANSFORMER ENERGY EFFICIENCY GUIDELINES

### Canada - Energy Efficiency Regulations

In Canada, all medium voltage dry-type distribution transformers (as defined below) manufactured after January 1st, 2005, must meet the minimum energy efficiency guidelines as per CSA C802.2. NRCAN has recently evaluated the U.S. DOE 10 CFR Part 431 efficiency levels and determined they are more cost effective and thus, suitable for use in Canada. As a result, in 2010 the Canadian Energy Efficiency Act - Energy Efficiency Regulations (SOR/94-651) will be updated and the regulation will harmonize the minimum efficiency levels with those established in the U.S. DOE 10 CFR Part 431. At the time of printing of this catalog, these harmonized efficiency levels were proposed only; but HPS believes these efficiency standards will be added to the Canadian Efficiency Regulations in the near future.

The range of product covered by these standards are:

<b>Primary Voltage BIL Rating</b>		> 1.2 kV class ( $\geq$ 20 kV BIL)
<b>Secondary (low) Voltage Line Current</b>		Less than 4000 Amps
<b>Dry-Type Rating</b>	<b>Single Phase</b>	15-833 kVA
	<b>Three Phase</b>	15-7500 kVA
<b>Frequency</b>		60 Hz only

For transformers exempted from the Canadian Efficiency Regulations please refer to the following NRCAN link:  
<http://laws.justice.gc.ca/eng/sor-94-651/page-1.html>

Canadian Energy Efficiency Act - Energy Efficiency Regulations							
Efficiency Levels*							
Dry-Type Distribution Transformers - <u>Medium Voltage</u>							
Single Phase				Three Phase			
kVA	20 - 45 kV BIL Efficiency (%)	46 - 95 kV BIL Efficiency (%)	$\geq$ 96 kV BIL Efficiency (%)	kVA	20 - 45 kV BIL Efficiency (%)	46 - 95 kV BIL Efficiency (%)	$\geq$ 96 kV BIL Efficiency (%)
15	98.10	97.86	97.80	15	97.50	97.18	97.11
25	98.33	98.12	98.07	30	97.90	97.63	97.57
37.5	98.49	98.30	98.25	45	98.10	97.86	97.80
50	98.60	98.42	98.37	75	98.33	98.12	98.07
75	98.73	98.57	98.53	112.5	98.49	98.30	98.25
100	98.82	98.67	98.63	150	98.60	98.42	98.37
167	98.96	98.83	98.80	225	98.73	98.57	98.53
250	99.07	98.95	98.91	300	98.82	98.67	98.63
333	99.14	99.03	98.99	500	98.96	98.83	98.80
500	99.22	99.12	99.09	750	99.07	98.95	98.91
667	99.27	99.18	99.15	1000	99.14	99.03	98.99
833	99.31	99.23	99.20	1500	99.22	99.12	99.09
				2000	99.27	99.18	99.15
				2500	99.31	99.23	99.20
				3000	99.34	99.26	99.24
				3750	99.38	99.30	99.28
				5000	99.42	99.35	99.33
				7500	99.48	99.41	99.39

All efficiency values are at 50% of nameplate-rated load at 75°C reference temperature.



## 2.5KV to 5KV CLASS DISTRIBUTION TRANSFORMERS

HPS Millennium™ energy efficient medium voltage distribution transformers are designed for stepping down incoming higher voltage power to utilize voltages for commercial, institutional or industrial applications. The standard NEMA 3R ventilated construction is suitable for indoor or outdoor applications.

### ALUMINUM & COPPER WOUND STANDARD SPECIFICATIONS



**SINGLE PHASE**



**THREE PHASE**

	15 to 333 kVA	15 to 1500 kVA
<b>Efficiency (where applicable)</b>	Meets U.S. DOE CFR Part 431 and the Canadian Efficiency Regulations efficiency levels at 50% of rated load. Efficiencies are calculated under a linear load profile.	
<b>UL Listed</b>	File: E147879	File: E147879
<b>CSA Certified</b>	File: LR3902	File: LR3902
<b>Frequency</b>	60 Hz	60 Hz
<b>Insulation System</b>	220°C (150°C rise) 180°C (115°C rise) on some units (Optional 115°C and 80°C rise available)	220°C (150°C rise) 180°C (115°C rise) on some units (Optional 115°C and 80°C rise available)
<b>Enclosure Type</b>	Heavy duty ventilated type 3R (Optional type 4, 4X and 12 available)	Heavy duty ventilated type 3R (Optional type 4, 4X and 12 available)
<b>Enclosure Finish</b>	ANSI 61 Grey, UL50	ANSI 61 Grey, UL50
<b>Standard Primary Taps</b>	Refer to wiring diagrams for details.	Refer to wiring diagrams for details.
<b>Termination</b>	Front accessible separate high and low voltage terminals; connectors suitable for aluminum and copper are provided for easy cable installation.	Front accessible separate high and low voltage terminals; connectors suitable for aluminum and copper are provided for easy cable installation.
<b>Conduit Knock-Outs</b>	Standard on most units up to 100 kVA (no knock-outs on Stainless Steel enclosures).	Standard on units up to 150 kVA (no knock-outs on Stainless Steel enclosures).
<b>Impedance</b>	Typically 2 to 5%	Typically 3 to 6%
<b>Mounting</b>	Floor or wall/ceiling mounting available. Refer to selection tables for details.	Floor or wall/ceiling mounting available. Refer to selection tables for details.
<b>Seismic</b>	Seismically certified in accordance with IBC 2009; Section 1613 Earthquake Loads, for $S_{DS} \leq 2.00g$ , $z/h = 1.0$ , and $I_p = 1.5$	Seismically certified in accordance with IBC 2009; Section 1613 Earthquake Loads, for $S_{DS} \leq 2.00g$ , $z/h = 1.0$ , and $I_p = 1.5$

**Other voltages not listed in this section are available upon request for both aluminum and copper wound units. Please contact customer service for details, price and availability.**

SECTION 11



## ALUMINUM WOUND, SINGLE PHASE, TYPE 3R STYLE ENCLOSURE



2400 Primary Volts

120/240 Secondary Volts

60 Hz

kVA	Catalog Number	Case Style (Pages 264 - 272)	Approx. Dimensions (Inches)			Approx. Weight (Lbs.)	Mtg Type W - Wall F - Floor	Wiring Diagram (Pages 281 - 293)
			Width	Depth	Height			
15	<b>MV1S015REAF</b>	NH6	23.90	25.00	28.75	290	F or W *	SCD 6
25	<b>MV1S025RE</b>	NH6	23.90	25.00	28.75	350	F or W *	SCD 6
37.5	<b>MV1S037RE</b>	NH6	23.90	25.00	28.75	420	F or W *	SCD 6
50	<b>MV1S050RE</b>	NH3	26.00	25.00	38.00	570	F or W *	SCD 6
75	<b>MV1S075RE</b>	NH3	26.00	25.00	38.00	660	F or W *	SCD 6
100	<b>MV1S100RE</b>	NH4	32.00	29.50	41.00	810	F	SCD 6
150	<b>MV1S150RE</b>	NJ4	32.00	32.50	50.00	1280	F	SCD 6
167	<b>MV1S167RE</b>	NJ4	32.00	32.50	50.00	1320	F	SCD 6
250	<b>MV1S250RE</b>	NJ4	32.00	32.50	50.00	1560	F	SCD 6
333	<b>MV1S333RE</b>	NJ2	48.50	38.40	59.00	1980	F	SCD 6

For shielded units, please add the suffix "S" to the above part numbers.

\*WALL MOUNTING KIT AND/OR DRIP PLATE KIT REQUIRED.  
REFER TO PAGES 276 TO 277 FOR DETAILS.

4160 Primary Volts

120/240 Secondary Volts

60 Hz

kVA	Catalog Number	Case Style (Pages 264 - 272)	Approx. Dimensions (Inches)			Approx. Weight (Lbs.)	Mtg Type W - Wall F - Floor	Wiring Diagram (Pages 281 - 293)
			Width	Depth	Height			
15	<b>MV1S015SEAF</b>	NH6	23.90	25.00	28.75	290	F or W *	SCD 6
25	<b>MV1S025SEAF</b>	NH6	23.90	25.00	28.75	350	F or W *	SCD 6
37.5	<b>MV1S037SE</b>	NH6	23.90	25.00	28.75	420	F or W *	SCD 6
50	<b>MV1S050SE</b>	NH3	26.00	25.00	38.00	570	F or W *	SCD 6
75	<b>MV1S075SE</b>	NH3	26.00	25.00	38.00	660	F or W *	SCD 6
100	<b>MV1S100SE</b>	NH4	32.00	29.50	41.00	810	F	SCD 6
150	<b>MV1S150SE</b>	NJ4	32.00	32.50	50.00	1280	F	SCD 6
167	<b>MV1S167SE</b>	NJ4	32.00	32.50	50.00	1320	F	SCD 6
250	<b>MV1S250SE</b>	NJ4	32.00	32.50	50.00	1560	F	SCD 6
333	<b>MV1S333SE</b>	NJ2	48.50	38.40	59.00	1980	F	SCD 6

For shielded units, please add the suffix "S" to the above part numbers.

\*WALL MOUNTING KIT AND/OR DRIP PLATE KIT REQUIRED.  
REFER TO PAGES 276 TO 277 FOR DETAILS.

SECTION 11



FOR TERMINATION DETAILS SEE PAGE 280

FOR ACCESSORIES SEE PAGES 276 TO 278



## COPPER WOUND, SINGLE PHASE, TYPE 3R STYLE ENCLOSURE



2400 Primary Volts

120/240 Secondary Volts

60 Hz

kVA	Catalog Number	Case Style (Pages 264 - 272)	Approx. Dimensions (Inches)			Approx. Weight (Lbs)	Mtg Type W - Wall F - Floor	Wiring Diagram (Pages 281 - 293)
			Width	Depth	Height			
15	<b>MV1S015RECF</b>	NH6	23.90	25.00	28.75	320	F or W *	SCD 6
25	<b>MV1S025RECF</b>	NH6	23.90	25.00	28.75	390	F or W *	SCD 6
37.5	<b>MV1S037RECF</b>	NH6	23.90	25.00	28.75	480	F or W *	SCD 6
50	<b>MV1S050RECF</b>	NH3	26.00	25.00	38.00	660	F or W *	SCD 6
75	<b>MV1S075REC</b>	NH3	26.00	25.00	38.00	770	F	SCD 6
100	<b>MV1S100REC</b>	NH4	32.00	29.50	41.00	970	F	SCD 6
150	<b>MV1S150REC</b>	NJ4	32.00	32.50	50.00	1300	F	SCD 6
167	<b>MV1S167REC</b>	NJ4	32.00	32.50	50.00	1440	F	SCD 6
250	<b>MV1S250REC</b>	NJ4	32.00	32.50	50.00	1800	F	SCD 6
333	<b>MV1S333REC</b>	NJ2	48.50	38.40	59.00	2280	F	SCD 6

For shielded units, please replace the letter "C" with a "K" in the above part numbers.

\*WALL MOUNTING KIT AND/OR DRIP PLATE KIT REQUIRED.  
REFER TO PAGES 276 TO 277 FOR DETAILS.

4160 Primary Volts

120/240 Secondary Volts

60 Hz

kVA	Catalog Number	Case Style (Pages 264 - 272)	Approx. Dimensions (Inches)			Approx. Weight (Lbs)	Mtg Type W - Wall F - Floor	Wiring Diagram (Pages 281 - 293)
			Width	Depth	Height			
15	<b>MV1S015SECF</b>	NH6	23.90	25.00	28.75	320	F or W *	SCD 6
25	<b>MV1S025SECF</b>	NH6	23.90	25.00	28.75	390	F or W *	SCD 6
37.5	<b>MV1S037SECF</b>	NH6	23.90	25.00	28.75	480	F or W *	SCD 6
50	<b>MV1S050SECF</b>	NH3	26.00	25.00	38.00	660	F or W *	SCD 6
75	<b>MV1S075SEC</b>	NH3	26.00	25.00	38.00	770	F	SCD 6
100	<b>MV1S100SEC</b>	NH4	32.00	29.50	41.00	970	F	SCD 6
150	<b>MV1S150SEC</b>	NJ4	32.00	32.50	50.00	1300	F	SCD 6
167	<b>MV1S167SEC</b>	NJ4	32.00	32.50	50.00	1440	F	SCD 6
250	<b>MV1S250SEC</b>	NJ4	32.00	32.50	50.00	1800	F	SCD 6
333	<b>MV1S333SEC</b>	NJ2	48.50	38.40	59.00	2280	F	SCD 6

For shielded units, please replace the letter "C" with a "K" in the above part numbers.

\*WALL MOUNTING KIT AND/OR DRIP PLATE KIT REQUIRED.  
REFER TO PAGES 276 TO 277 FOR DETAILS.



## ALUMINUM WOUND, THREE PHASE, TYPE 3R STYLE ENCLOSURE



2400 Delta Primary Volts

208Y/120 Secondary Volts

60 Hz

kVA	Catalog Number	Case Style (Pages 264 - 272)	Approx. Dimensions (Inches)			Approx. Weight (Lbs)	Mtg Type W - Wall F - Floor	Wiring Diagram (Pages 281 - 293)
			Width	Depth	Height			
*15	MV3S015RBAF	NH6	23.90	25.00	28.75	350	F or W *	SCD 8
*30	MV3S030RBAF	NH6	23.90	25.00	28.75	425	F or W *	SCD 10
45	MV3S045RBAF	NH3	26.00	25.00	38.00	600	F or W *	SCD 10
75	MV3S075RB	NH4	32.00	29.50	41.00	800	F	SCD 10
112.5	MV3S112RB	NH4	32.00	29.50	41.00	1200	F	SCD 10
150	MV3S150RB	NJ1	39.50	34.00	51.50	1400	F	SCD 10
225	MV3S225RB	NJ1	39.50	34.00	51.50	1600	F	SCD 10
300	MV3S300RB	NJ1	39.50	34.00	51.50	1800	F	SCD 10
500	MV3S500RB	NJ2	48.50	38.40	59.00	2600	F	SCD 10
750	MV3S750RB	NJ6	64.00	44.40	71.00	4200	F	SCD 10
1000	MV3S1000RB	NJ6	64.00	44.40	71.00	4500	F	SCD 10
1250	MV3S1250RB	NJ6	64.00	44.40	71.00	5300	F	SCD 10
1500	MV3S1500RB	NJ7	64.00	51.40	75.00	6300	F	SCD 10

\* Aluminum/Copper units have 115°C temperature rise.  
For shielded units, please add the suffix "S" to the above part numbers.

\*WALL MOUNTING KIT AND/OR DRIP PLATE KIT REQUIRED.  
REFER TO PAGES 276 TO 277 FOR DETAILS.

2400 Delta Primary Volts

480Y/277 Secondary Volts

60 Hz

kVA	Catalog Number	Case Style (Pages 264 - 272)	Approx. Dimensions (Inches)			Approx. Weight (Lbs)	Mtg Type W - Wall F - Floor	Wiring Diagram (Pages 281 - 293)
			Width	Depth	Height			
*15	MV3S015RKAF	NH6	23.90	25.00	28.75	350	F or W *	SCD 8
*30	MV3S030RKAF	NH6	23.90	25.00	28.75	425	F or W *	SCD 10
45	MV3S045RKAF	NH3	26.00	25.00	38.00	600	F or W *	SCD 10
75	MV3S075RK	NH4	32.00	29.50	41.00	800	F	SCD 10
112.5	MV3S112RK	NH4	32.00	29.50	41.00	1200	F	SCD 10
150	MV3S150RK	NJ1	39.50	34.00	51.50	1400	F	SCD 10
225	MV3S225RK	NJ1	39.50	34.00	51.50	1600	F	SCD 10
300	MV3S300RK	NJ1	39.50	34.00	51.50	1800	F	SCD 10
500	MV3S500RK	NJ2	48.50	38.40	59.00	2600	F	SCD 10
750	MV3S750RK	NJ6	64.00	44.40	71.00	4200	F	SCD 10
1000	MV3S1000RK	NJ6	64.00	44.40	71.00	4500	F	SCD 10
1250	MV3S1250RK	NJ6	64.00	44.40	71.00	5300	F	SCD 10
1500	MV3S1500RK	NJ7	64.00	51.40	75.00	6300	F	SCD 10

\* Aluminum/Copper units have 115°C temperature rise.  
For shielded units, please add the suffix "S" to the above part numbers.

\*WALL MOUNTING KIT AND/OR DRIP PLATE KIT REQUIRED.  
REFER TO PAGES 276 TO 277 FOR DETAILS.

2400 Delta Primary Volts

600Y/347 Secondary Volts

60 Hz

kVA	Catalog Number	Case Style (Pages 264 - 272)	Approx. Dimensions (Inches)			Approx. Weight (Lbs)	Mtg Type W - Wall F - Floor	Wiring Diagram (Pages 281 - 293)
			Width	Depth	Height			
*15	MV3S015RPAF	NH6	23.90	25.00	28.75	350	F or W *	SCD 8
*30	MV3S030RPAF	NH6	23.90	25.00	28.75	425	F or W *	SCD 10
45	MV3S045RPAF	NH3	26.00	25.00	38.00	600	F or W *	SCD 10
75	MV3S075RP	NH4	32.00	29.50	41.00	800	F	SCD 10
112.5	MV3S112RP	NH4	32.00	29.50	41.00	1200	F	SCD 10
150	MV3S150RP	NJ1	39.50	34.00	51.50	1400	F	SCD 10
225	MV3S225RP	NJ1	39.50	34.00	51.50	1600	F	SCD 10
300	MV3S300RP	NJ1	39.50	34.00	51.50	1800	F	SCD 10
500	MV3S500RP	NJ2	48.50	38.40	59.00	2600	F	SCD 10
750	MV3S750RP	NJ6	64.00	44.40	71.00	4200	F	SCD 10
1000	MV3S1000RP	NJ6	64.00	44.40	71.00	4600	F	SCD 10
1250	MV3S1250RP	NJ6	64.00	44.40	71.00	5200	F	SCD 10
1500	MV3S1500RP	NJ7	64.00	51.40	75.00	6300	F	SCD 10

\* Aluminum/Copper units have 115°C temperature rise.  
For shielded units, please add the suffix "S" to the above part numbers.

\*WALL MOUNTING KIT AND/OR DRIP PLATE KIT REQUIRED.  
REFER TO PAGES 276 TO 277 FOR DETAILS.

FOR TERMINATION DETAILS SEE PAGE 280

FOR ACCESSORIES SEE PAGES 276 TO 278





## ALUMINUM WOUND, THREE PHASE, TYPE 3R STYLE ENCLOSURE



4160 Delta Primary Volts

208Y/120 Secondary Volts

60 Hz

kVA	Catalog Number	Case Style (Pages 264 - 272)	Approx. Dimensions (Inches)			Approx. Weight (Lbs)	Mtg Type W - Wall F - Floor	Wiring Diagram (Pages 281 - 293)
			Width	Depth	Height			
*15	MV3S015SBAF	NH6	23.90	25.00	28.75	350	F or W *	SCD 8
*30	MV3S030SBAF	NH6	23.90	25.00	28.75	425	F or W *	SCD 10
45	MV3S045SBAF	NH3	26.00	25.00	38.00	600	F or W *	SCD 10
75	MV3S075SBAF	NH4	32.00	29.50	41.00	800	F	SCD 10
112.5	MV3S112SBAF	NH4	32.00	29.50	41.00	1200	F	SCD 10
150	MV3S150SB	NJ1	39.50	34.00	51.50	1400	F	SCD 10
225	MV3S225SB	NJ1	39.50	34.00	51.50	1600	F	SCD 10
300	MV3S300SB	NJ1	39.50	34.00	51.50	1800	F	SCD 10
500	MV3S500SB	NJ2	48.50	38.40	59.00	2600	F	SCD 10
750	MV3S750SB	NJ6	64.00	44.40	71.00	4200	F	SCD 10
1000	MV3S1000SB	NJ6	64.00	44.40	71.00	4600	F	SCD 10
1250	MV3S1250SB	NJ6	64.00	44.40	71.00	5300	F	SCD 10
1500	MV3S1500SB	NJ7	64.00	51.40	75.00	6300	F	SCD 10

\* Aluminum/Copper units have 115°C temperature rise.  
For shielded units, please add the suffix "S" to the above part numbers.

\*WALL MOUNTING KIT AND/OR DRIP PLATE KIT REQUIRED.  
REFER TO PAGES 276 TO 277 FOR DETAILS.

4160 Delta Primary Volts

480Y/277 Secondary Volts

60 Hz

kVA	Catalog Number	Case Style (Pages 264 - 272)	Approx. Dimensions (Inches)			Approx. Weight (Lbs)	Mtg Type W - Wall F - Floor	Wiring Diagram (Pages 281 - 293)
			Width	Depth	Height			
*15	MV3S015SKAF	NH6	23.90	25.00	28.75	350	F or W *	SCD 8
*30	MV3S030SKAF	NH6	23.90	25.00	28.75	425	F or W *	SCD 10
45	MV3S045SKAF	NH3	26.00	25.00	38.00	600	F or W *	SCD 10
75	MV3S075SKAF	NH4	32.00	29.50	41.00	800	F	SCD 10
112.5	MV3S112SKAF	NH4	32.00	29.50	41.00	1200	F	SCD 10
150	MV3S150SK	NJ1	39.50	34.00	51.50	1400	F	SCD 10
225	MV3S225SK	NJ1	39.50	34.00	51.50	1600	F	SCD 10
300	MV3S300SK	NJ1	39.50	34.00	51.50	1800	F	SCD 10
500	MV3S500SK	NJ2	48.50	38.40	59.00	2600	F	SCD 10
750	MV3S750SK	NJ6	64.00	44.40	71.00	4200	F	SCD 10
1000	MV3S1000SK	NJ6	64.00	44.40	71.00	4500	F	SCD 10
1250	MV3S1250SK	NJ6	64.00	44.40	71.00	5300	F	SCD 10
1500	MV3S1500SK	NJ7	64.00	51.40	75.00	6300	F	SCD 10

\* Aluminum/Copper units have 115°C temperature rise.  
For shielded units, please add the suffix "S" to the above part numbers.

\*WALL MOUNTING KIT AND/OR DRIP PLATE KIT REQUIRED.  
REFER TO PAGES 276 TO 277 FOR DETAILS.

4160 Delta Primary Volts

600Y/347 Secondary Volts

60 Hz

kVA	Catalog Number	Case Style (Pages 264 - 272)	Approx. Dimensions (Inches)			Approx. Weight (Lbs)	Mtg Type W - Wall F - Floor	Wiring Diagram (Pages 281 - 293)
			Width	Depth	Height			
*15	MV3S015SPAF	NH6	23.90	25.00	28.75	350	F or W *	SCD 8
*30	MV3S030SPAF	NH6	23.90	25.00	28.75	425	F or W *	SCD 10
45	MV3S045SPAF	NH3	26.00	25.00	38.00	600	F or W *	SCD 10
75	MV3S075SPAF	NH4	32.00	29.50	41.00	800	F	SCD 10
112.5	MV3S112SPAF	NH4	32.00	29.50	41.00	1200	F	SCD 10
150	MV3S150SP	NJ1	39.50	34.00	51.50	1400	F	SCD 10
225	MV3S225SP	NJ1	39.50	34.00	51.50	1600	F	SCD 10
300	MV3S300SP	NJ1	39.50	34.00	51.50	1800	F	SCD 10
500	MV3S500SP	NJ2	48.50	38.40	59.00	2600	F	SCD 10
750	MV3S750SP	NJ6	64.00	44.40	71.00	4200	F	SCD 10
1000	MV3S1000SP	NJ6	64.00	44.40	71.00	4600	F	SCD 10
1250	MV3S1250SP	NJ6	64.00	44.40	71.00	5200	F	SCD 10
1500	MV3S1500SP	NJ7	64.00	51.40	75.00	6300	F	SCD 10

\* Aluminum/Copper units have 115°C temperature rise.  
For shielded units, please add the suffix "S" to the above part numbers.

\*WALL MOUNTING KIT AND/OR DRIP PLATE KIT REQUIRED.  
REFER TO PAGES 276 TO 277 FOR DETAILS.

FOR TERMINATION DETAILS SEE PAGE 280

FOR ACCESSORIES SEE PAGES 276 TO 278



## COPPER WOUND, THREE PHASE, TYPE 3R STYLE ENCLOSURE



2400 Delta Primary Volts

208Y/120 Secondary Volts

60 Hz

kVA	Catalog Number	Case Style (Pages 264 - 272)	Approx. Dimensions (Inches)			Approx. Weight (Lbs)	Mtg Type W - Wall F - Floor	Wiring Diagram (Pages 281 - 293)
			Width	Depth	Height			
15	MV3S015RBCF	NH6	23.90	25.00	28.75	400	F or W *	SCD 8
30	MV3S030RBCF	NH6	23.90	25.00	28.75	500	F or W *	SCD 10
45	MV3S045RBCF	NH3	26.00	25.00	38.00	600	F or W *	SCD 10
75	MV3S075RBCF	NH4	32.00	29.50	41.00	900	F	SCD 10
112.5	MV3S112RBCF	NH4	32.00	29.50	41.00	1100	F	SCD 10
150	MV3S150RBC	NJ1	39.50	34.00	51.50	1500	F	SCD 10
225	MV3S225RBC	NJ1	39.50	34.00	51.50	1700	F	SCD 10
300	MV3S300RBC	NJ1	39.50	34.00	51.50	1900	F	SCD 10
500	MV3S500RBC	NJ2	48.50	38.40	59.00	3000	F	SCD 10
750	MV3S750RBC	NJ6	64.00	44.40	71.00	4200	F	SCD 10
1000	MV3S1000RBC	NJ6	64.00	44.40	71.00	4800	F	SCD 10
1250	MV3S1250RBC	NJ6	64.00	44.40	71.00	6200	F	SCD 10
1500	MV3S1500RBC	NJ7	64.00	51.40	75.00	6600	F	SCD 10

For shielded units, please replace the letter "C" with a "K" in the above part numbers.

\*WALL MOUNTING KIT AND/OR DRIP PLATE KIT REQUIRED.  
REFER TO PAGES 276 TO 277 FOR DETAILS.

2400 Delta Primary Volts

480Y/277 Secondary Volts

60 Hz

kVA	Catalog Number	Case Style (Pages 264 - 272)	Approx. Dimensions (Inches)			Approx. Weight (Lbs)	Mtg Type W - Wall F - Floor	Wiring Diagram (Pages 281 - 293)
			Width	Depth	Height			
15	MV3S015RKCF	NH6	23.90	25.00	28.75	400	F or W *	SCD 8
30	MV3S030RKCF	NH6	23.90	25.00	28.75	500	F or W *	SCD 10
45	MV3S045RKCF	NH3	26.00	25.00	38.00	600	F or W *	SCD 10
75	MV3S075RKCF	NH4	32.00	29.50	41.00	900	F	SCD 10
112.5	MV3S112RKCF	NH4	32.00	29.50	41.00	1100	F	SCD 10
150	MV3S150RKC	NJ1	39.50	34.00	51.50	1500	F	SCD 10
225	MV3S225RKC	NJ1	39.50	34.00	51.50	1600	F	SCD 10
300	MV3S300RKC	NJ1	39.50	34.00	51.50	1900	F	SCD 10
500	MV3S500RKC	NJ2	48.50	38.40	59.00	3000	F	SCD 10
750	MV3S750RKC	NJ6	64.00	44.40	71.00	4200	F	SCD 10
1000	MV3S1000RKC	NJ6	64.00	44.40	71.00	4800	F	SCD 10
1250	MV3S1250RKC	NJ6	64.00	44.40	71.00	6200	F	SCD 10
1500	MV3S1500RKC	NJ7	64.00	51.40	75.00	6600	F	SCD 10

For shielded units, please replace the letter "C" with a "K" in the above part numbers.

\*WALL MOUNTING KIT AND/OR DRIP PLATE KIT REQUIRED.  
REFER TO PAGES 276 TO 277 FOR DETAILS.

2400 Delta Primary Volts

600Y/347 Secondary Volts

60 Hz

kVA	Catalog Number	Case Style (Pages 264 - 272)	Approx. Dimensions (Inches)			Approx. Weight (Lbs)	Mtg Type W - Wall F - Floor	Wiring Diagram (Pages 281 - 293)
			Width	Depth	Height			
15	MV3S015RPCF	NH6	23.90	25.00	28.75	400	F or W *	SCD 8
30	MV3S030RPCF	NH6	23.90	25.00	28.75	500	F or W *	SCD 10
45	MV3S045RPCF	NH3	26.00	25.00	38.00	600	F or W *	SCD 10
75	MV3S075RPCF	NH4	32.00	29.50	41.00	900	F	SCD 10
112.5	MV3S112RPCF	NH4	32.00	29.50	41.00	1100	F	SCD 10
150	MV3S150RPC	NJ1	39.50	34.00	51.50	1500	F	SCD 10
225	MV3S225RPC	NJ1	39.50	34.00	51.50	1600	F	SCD 10
300	MV3S300RPC	NJ1	39.50	34.00	51.50	1900	F	SCD 10
500	MV3S500RPC	NJ2	48.50	38.40	59.00	2900	F	SCD 10
750	MV3S750RPC	NJ6	64.00	44.40	71.00	4200	F	SCD 10
1000	MV3S1000RPC	NJ6	64.00	44.40	71.00	4800	F	SCD 10
1250	MV3S1250RPC	NJ6	64.00	44.40	71.00	6200	F	SCD 10
1500	MV3S1500RPC	NJ7	64.00	51.40	75.00	6600	F	SCD 10

For shielded units, please replace the letter "C" with a "K" in the above part numbers.

\*WALL MOUNTING KIT AND/OR DRIP PLATE KIT REQUIRED.  
REFER TO PAGES 276 TO 277 FOR DETAILS.

FOR TERMINATION DETAILS SEE PAGE 280

FOR ACCESSORIES SEE PAGES 276 TO 278



## COPPER WOUND, THREE PHASE, TYPE 3R STYLE ENCLOSURE



4160 Delta Primary Volts

208Y/120 Secondary Volts

60 Hz

kVA	Catalog Number	Case Style (Pages 264 - 272)	Approx. Dimensions (Inches)			Approx. Weight (Lbs)	Mtg Type W - Wall F - Floor	Wiring Diagram (Pages 281 - 293)
			Width	Depth	Height			
15	MV3S015SBCF	NH6	23.90	25.00	28.75	400	F or W *	SCD 8
30	MV3S030SBCF	NH6	23.90	25.00	28.75	500	F or W *	SCD 10
45	MV3S045SBCF	NH3	26.00	25.00	38.00	600	F or W *	SCD 10
75	MV3S075SBCF	NH4	32.00	29.50	41.00	900	F	SCD 10
112.5	MV3S112SBCF	NH4	32.00	29.50	41.00	1100	F	SCD 10
150	MV3S150SBCF	NJ1	39.50	34.00	51.50	1500	F	SCD 10
225	MV3S225SBC	NJ1	39.50	34.00	51.50	1700	F	SCD 10
300	MV3S300SBC	NJ1	39.50	34.00	51.50	1900	F	SCD 10
500	MV3S500SBC	NJ2	48.50	38.40	59.00	3000	F	SCD 10
750	MV3S750SBC	NJ6	64.00	44.40	71.00	4200	F	SCD 10
1000	MV3S1000SBC	NJ6	64.00	44.40	71.00	4800	F	SCD 10
1250	MV3S1250SBC	NJ6	64.00	44.40	71.00	6200	F	SCD 10
1500	MV3S1500SBC	NJ7	64.00	51.40	75.00	6600	F	SCD 10

For shielded units, please replace the letter "C" with a "K" in the above part numbers.

\*WALL MOUNTING KIT AND/OR DRIP PLATE KIT REQUIRED. REFER TO PAGES 276 TO 277 FOR DETAILS.

4160 Delta Primary Volts

480Y/277 Secondary Volts

60 Hz

kVA	Catalog Number	Case Style (Pages 264 - 272)	Approx. Dimensions (Inches)			Approx. Weight (Lbs)	Mtg Type W - Wall F - Floor	Wiring Diagram (Pages 281 - 293)
			Width	Depth	Height			
15	MV3S015SKCF	NH6	23.90	25.00	28.75	400	F or W *	SCD 8
30	MV3S030SKCF	NH6	23.90	25.00	28.75	500	F or W *	SCD 10
45	MV3S045SKCF	NH3	26.00	25.00	38.00	600	F or W *	SCD 10
75	MV3S075SKCF	NH4	32.00	29.50	41.00	900	F	SCD 10
112.5	MV3S112SKCF	NH4	32.00	29.50	41.00	1100	F	SCD 10
150	MV3S150SKCF	NJ1	39.50	34.00	51.50	1500	F	SCD 10
225	MV3S225SKCF	NJ1	39.50	34.00	51.50	1600	F	SCD 10
300	MV3S300SKC	NJ1	39.50	34.00	51.50	1900	F	SCD 10
500	MV3S500SKC	NJ2	48.50	38.40	59.00	3000	F	SCD 10
750	MV3S750SKC	NJ6	64.00	44.40	71.00	4200	F	SCD 10
1000	MV3S1000SKC	NJ6	64.00	44.40	71.00	4800	F	SCD 10
1250	MV3S1250SKC	NJ6	64.00	44.40	71.00	6200	F	SCD 10
1500	MV3S1500SKC	NJ7	64.00	51.40	75.00	6600	F	SCD 10

For shielded units, please replace the letter "C" with a "K" in the above part numbers.

\*WALL MOUNTING KIT AND/OR DRIP PLATE KIT REQUIRED. REFER TO PAGES 276 TO 277 FOR DETAILS.

4160 Delta Primary Volts

600Y/347 Secondary Volts

60 Hz

kVA	Catalog Number	Case Style (Pages 264 - 272)	Approx. Dimensions (Inches)			Approx. Weight (Lbs)	Mtg Type W - Wall F - Floor	Wiring Diagram (Pages 281 - 293)
			Width	Depth	Height			
15	MV3S015SPCF	NH6	23.90	25.00	28.75	400	F or W *	SCD 8
30	MV3S030SPCF	NH6	23.90	25.00	28.75	500	F or W *	SCD 10
45	MV3S045SPCF	NH3	26.00	25.00	38.00	600	F or W *	SCD 10
75	MV3S075SPCF	NH4	32.00	29.50	41.00	900	F	SCD 10
112.5	MV3S112SPCF	NH4	32.00	29.50	41.00	1100	F	SCD 10
150	MV3S150SPCF	NJ1	39.50	34.00	51.50	1500	F	SCD 10
225	MV3S225SPCF	NJ1	39.50	34.00	51.50	1600	F	SCD 10
300	MV3S300SPC	NJ1	39.50	34.00	51.50	1900	F	SCD 10
500	MV3S500SPC	NJ2	48.50	38.40	59.00	2900	F	SCD 10
750	MV3S750SPC	NJ6	64.00	44.40	71.00	4200	F	SCD 10
1000	MV3S1000SPC	NJ6	64.00	44.40	71.00	4800	F	SCD 10
1250	MV3S1250SPC	NJ6	64.00	44.40	71.00	6200	F	SCD 10
1500	MV3S1500SPC	NJ7	64.00	51.40	75.00	6600	F	SCD 10

For shielded units, please replace the letter "C" with a "K" in the above part numbers.

\*WALL MOUNTING KIT AND/OR DRIP PLATE KIT REQUIRED. REFER TO PAGES 276 TO 277 FOR DETAILS.

FOR TERMINATION DETAILS SEE PAGE 280

FOR ACCESSORIES SEE PAGES 276 TO 278



SECTION 11



## **GENERAL INFORMATION**

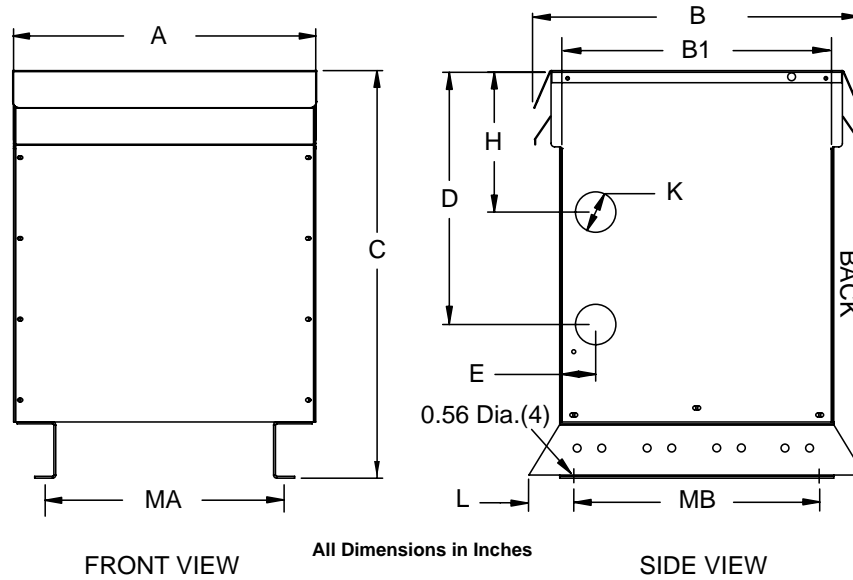
### **Enclosure Drawings, Connection Diagrams, Termination Details, Alpha-Numeric Part Number Index**

<b>Enclosure Dimensional Drawings .....</b>	<b>264</b>
<b>Conduit Size vs. Knockout Size Reference Table .....</b>	<b>268</b>
<b>Accessories - for General Purpose Transformers .....</b>	<b>276</b>
<b>Termination Details .....</b>	<b>280</b>
<b>Electrical Connection Diagrams .....</b>	<b>281</b>
<b>Alpha-Numeric Part Number Index .....</b>	<b>297</b>
<b>HPS Transformer Literature Request Form .....</b>	<b>320</b>

# GENERAL INFORMATION

## TYPE 3R ENCLOSURE DIMENSIONAL DRAWINGS

### 'NH' SERIES ENCLOSURES



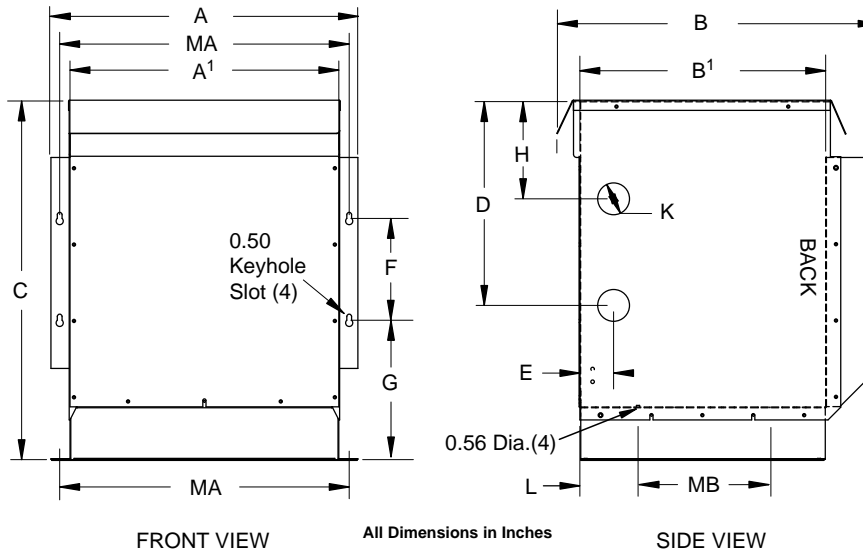
Case Style	Dimensions in Inches										
	A	B	B <sup>1</sup>	C	D	E	H	K <sup>1</sup>	L	MA	MB
NH3	26.00	25.00	24.00	38.00	24.00	2.50	14.00	2.00 X 3.00	2.50	21.50	19.00
NH4	32.00	29.50	28.50	41.00	24.00	2.50	12.00	2.00 X 3.00	2.50	23.50	23.50

Note: Mounting hole dimension is 0.56" diameter.

OPTIONAL NEMA 4, 12 AND STAINLESS STEEL ENCLOSURES ARE AVAILABLE.

<sup>1</sup> Knockout (K) sizes are actual diameters of knockout, not conduit sizes. Refer to table on page 268 for conduit sizes.

SEE PAGE 271 & 272 FOR DETAILS.



Case Style	Dimensions in Inches													
	A	A <sup>1</sup>	B	B <sup>1</sup>	C	D	E	F	G	H	K <sup>1</sup>	L	MA	MB
NH5	19.40	16.75	20.20	15.00	21.50	12.00	2.00	7.00	7.81	6.00	1.38 X 1.75	2.80	18.00	9.00
NH6	23.90	21.50	25.00	19.50	28.75	17.00	2.00	8.00	10.29	8.50	1.38 X 2.50	5.20	22.75	9.00

Note: Mounting hole dimension is 0.56" diameter.

OPTIONAL NEMA 4, 12 AND STAINLESS STEEL ENCLOSURES ARE AVAILABLE.

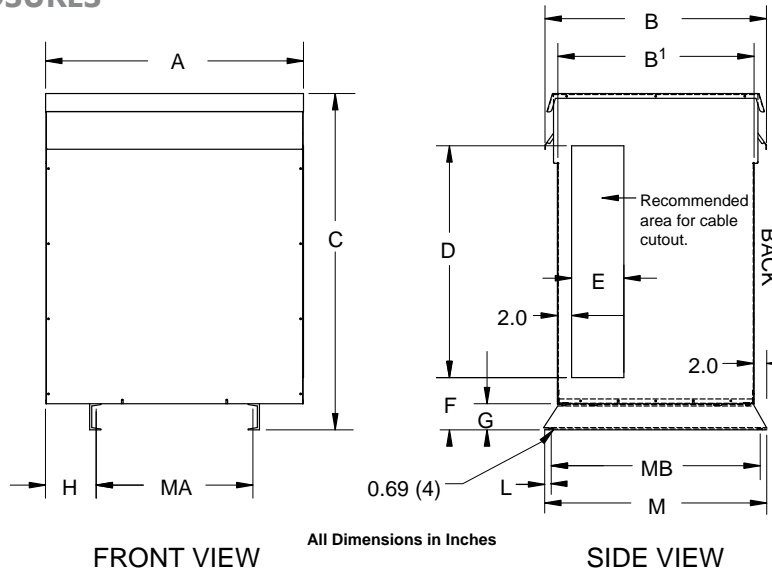
<sup>1</sup> Knockout (K) sizes are actual diameters of knockout, not conduit sizes. Refer to table on page 268 for conduit sizes.

SEE PAGE 271 & 272 FOR DETAILS.

# GENERAL INFORMATION

## TYPE 3R ENCLOSURE DIMENSIONAL DRAWINGS

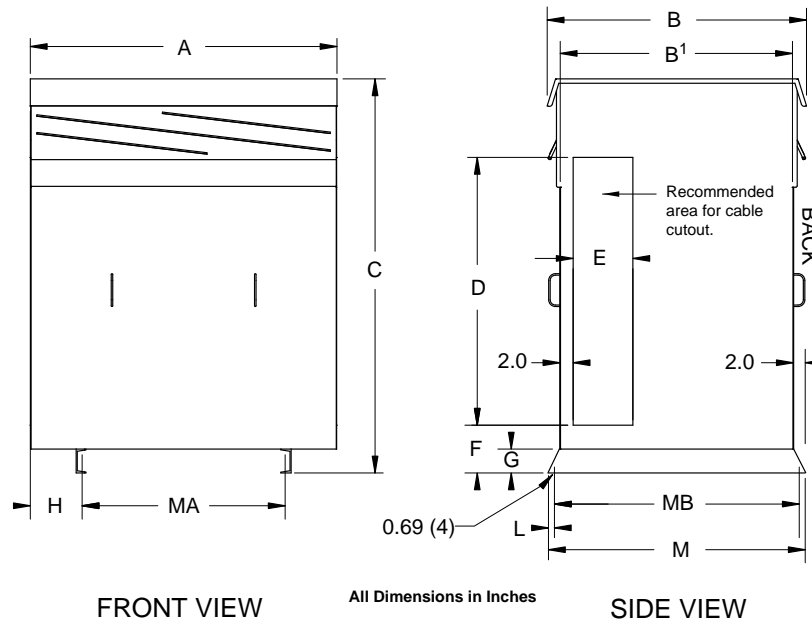
### 'NJ' SERIES ENCLOSURES



Case Style	Dimensions in Inches												
	A	B	B <sup>1</sup>	C	D	E	F	G	H	L	M	MA	MB
NJ1	39.50	34.00	30.00	51.50	35.50	6.00	8.00	4.00	7.75	1.00	34.00	24.00	32.00
NJ2	48.50	38.40	34.00	59.00	40.00	8.00	8.00	4.00	10.50	1.00	38.00	27.50	36.00
NJ4	32.00	32.50	28.50	50.00	34.00	8.00	8.00	4.00	5.00	1.00	32.50	22.00	30.50

Note: Mounting hole dimension is 0.69" diameter.

OPTIONAL NEMA 4, 12 AND STAINLESS STEEL ENCLOSURES ARE AVAILABLE. SEE PAGE 271 & 272 FOR DETAILS.



Case Style	Dimensions in Inches												
	A	B	B <sup>1</sup>	C	D	E	F	G	H	L	M	MA	MB
NJ3	51.50	43.40	39.00	66.00	47.00	10.00	8.00	4.00	8.75	1.00	43.00	34.00	41.00
NJ6	64.00	44.40	40.00	71.00	50.00	11.50	9.00	5.00	12.00	1.00	44.00	40.00	42.00
NJ7	64.00	51.40	47.00	75.00	54.00	11.50	9.00	5.00	12.00	1.00	51.00	40.00	49.00

Note: Mounting hole dimension is 0.69" diameter.

OPTIONAL NEMA 4, 12 AND STAINLESS STEEL ENCLOSURES ARE AVAILABLE. SEE PAGE 271 & 272 FOR DETAILS.

GENERAL INFORMATION

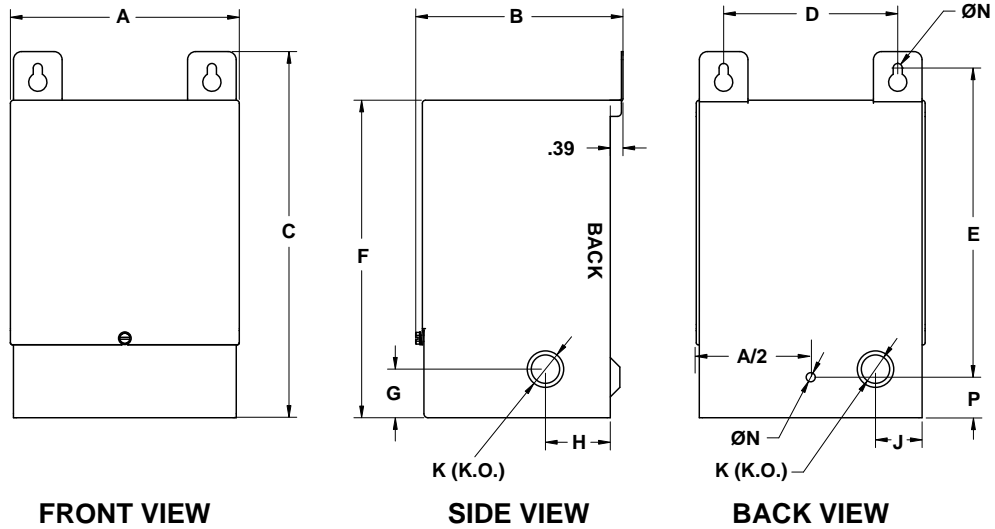


# GENERAL INFORMATION

## TYPE 3R ENCLOSURE DIMENSIONAL DRAWINGS

### 'NQ' SERIES ENCLOSURES

**Figure 1**



**FRONT VIEW**

**SIDE VIEW**

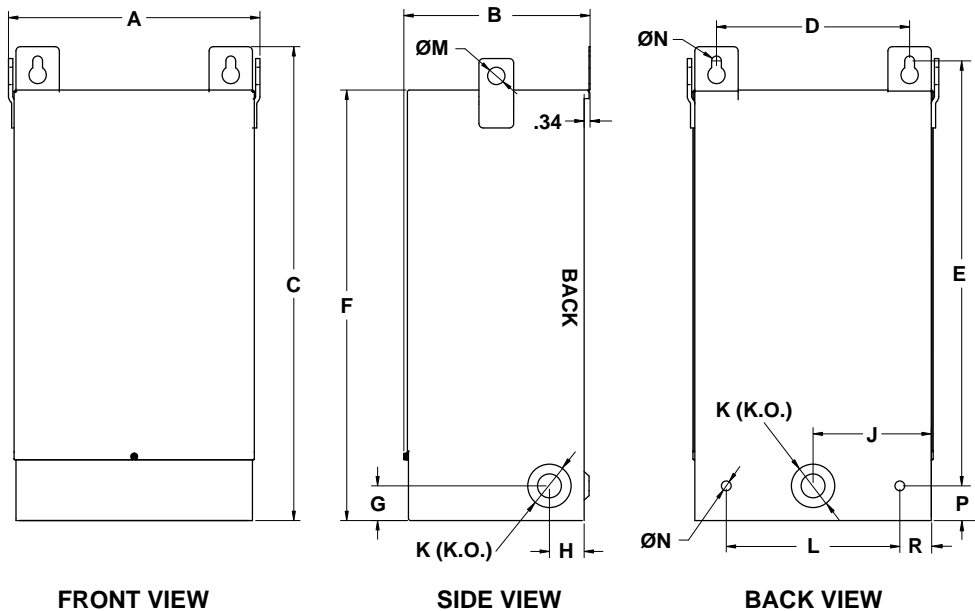
**BACK VIEW**

Case Style	Fig #	Dimensions in Inches														
		A	B	C	D	E	F	G	H	J	K <sup>1</sup>	L	M	N	P	R
NQ0	1	3.75	5.25	7.25	2.50	5.63	6.25	1.50	2.00	--	0.88	--	--	0.22	1.25	--
NQ1	1	4.50	5.75	7.25	3.13	5.63	6.25	1.50	2.00	0.81	0.88	--	--	0.22	1.25	--
NQ2	1	5.00	4.75	9.25	3.88	7.75	8.25	1.50	2.00	1.00	0.88 X 1.13 X 1.38	--	--	0.22	1.25	--
NQ3	1	5.88	5.50	10.50	4.13	8.25	9.00	1.50	2.00	1.25	0.88 X 1.13 X 1.38	--	--	0.28	1.25	--
NQ4	1	7.00	6.50	11.75	5.38	9.50	10.25	1.75	2.00	1.50	0.88 X 1.13 X 1.38	--	--	0.28	1.25	--
NQ5	2	10.00	7.75	17.25	7.38	15.38	15.25	2.375	2.00	4.00	1.13 X 1.38	6.00	0.75	0.44	1.25	1.68
NQ6A	2	12.25	9.25	17.63	9.38	14.88	15.56	2.00	2.00	5.00	1.38 X 2.50	8.00	0.75	0.44	2.00	1.68
NQ6	2	12.25	9.25	20.88	9.38	18.13	18.88	2.00	2.00	5.00	1.38 X 2.50	8.00	0.75	0.44	2.00	1.68
NQ7	2	14.50	10.75	21.38	11.63	18.63	19.38	2.00	2.00	6.00	1.38 X 2.50	10.00	0.75	0.44	2.00	1.81
NQ8	2	14.50	10.75	27.38	11.13	24.50	24.88	2.00	2.00	6.00	1.38 X 2.50	10.00	0.75	0.56	2.00	1.81

<sup>1</sup> Knockout (K) sizes are actual diameters of knockout, not conduit sizes. Refer to table on page 268 for conduit sizes.

OPTIONAL STAINLESS STEEL ENCLOSURES ARE AVAILABLE.

**Figure 2**



**FRONT VIEW**

**SIDE VIEW**

**BACK VIEW**

GENERAL  
INFORMATION

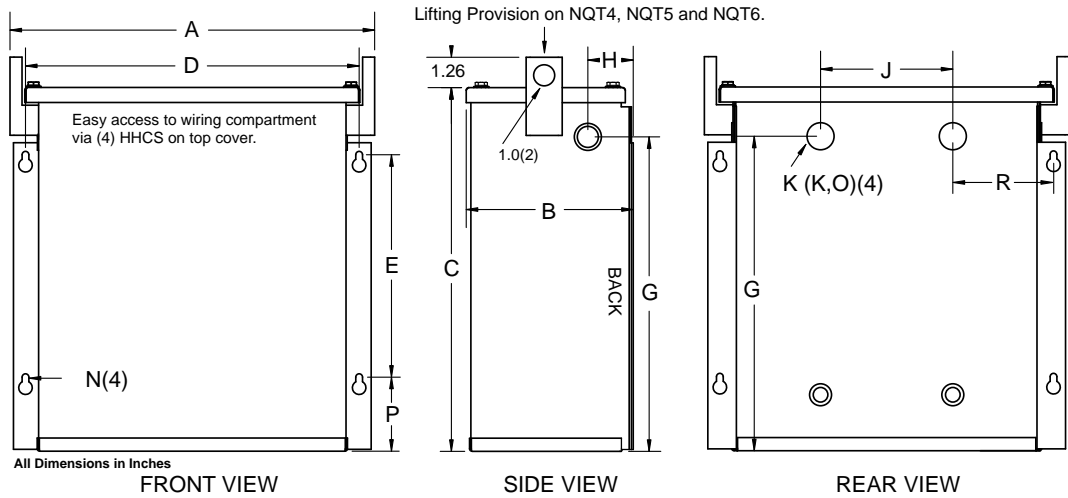


# GENERAL INFORMATION

## TYPE 3R ENCLOSURE DIMENSIONAL DRAWINGS

### 'NQT & NQS' SERIES ENCLOSURES

**Figure 1**

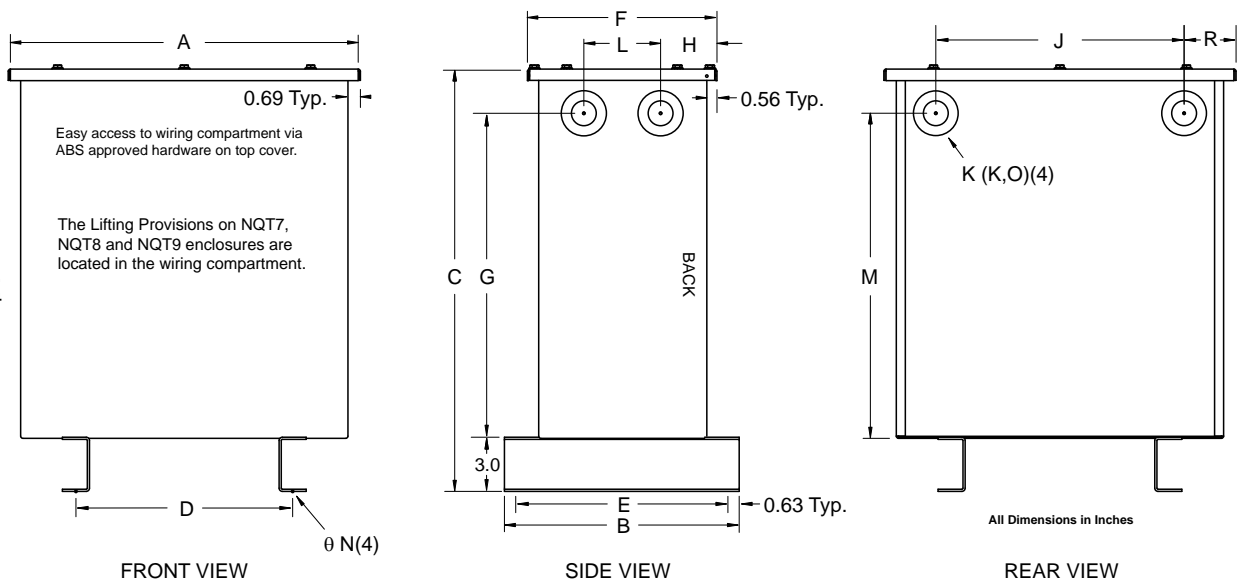


Case Style	Fig #	Dimensions in Inches															
		A	B	C	D	E	F	G	H	J	K <sup>1</sup>	L	M	N	P	R	
NQT2	1	9.38	4.94	8.63	8.38	4.00	-	7.06	2.38	4.50	0.88 X 1.13	-	-	0.28	1.81	2.44	
NQT3	1	12.38	5.44	11.13	11.38	6.50	-	9.50	2.38	5.50	0.88 X 1.13	-	-	0.28	1.81	3.44	
NQT4	1	15.19	6.94	15.13	13.88	9.25	-	13.56	1.88	5.50	0.88 X 1.13	-	-	0.28	3.06	4.19	
NQT5	1	16.63	10.25	16.63	14.50	8.25	-	13.88	2.69	10.00	1.38 X 1.75	-	-	0.41	4.50	2.25	
NQT6	1	19.25	10.44	16.63	17.50	8.25	-	13.56	2.69	12.50	1.38 X 2.50	-	-	0.41	4.50	2.50	
NQT7	2	20.25	13.00	23.38	12.00	11.75	11.38	17.94	2.50	13.75	1.38 X 2.50	4.25	17.94	0.56	-	2.13	
NQT8	2	22.25	13.00	28.38	14.00	11.75	11.38	21.94	2.50	15.75	1.38 X 2.50	4.25	21.94	0.56	-	2.13	
NQT9	2	31.25	16.00	29.88	18.00	14.75	14.13	23.94	2.75	22.75	2.00 X 3.00	6.50	23.94	0.56	-	3.13	
NQT9A	2	34.63	18.50	36.75	22.50	17.25	16.50	30.38	4.69	27.25	2.00 X 3.00	6.50	30.38	0.56	-	3.31	
NQS10	2	21.88	18.50	31.00	13.50	17.25	16.50	24.63	4.91	13.13	1.75 X 2.50	6.50	24.63	0.56	-	4.00	
NQT10	3	38.44	26.00	39.13	23.50	24.00	20.80	32.50	6.40	24.75	2.50 X 3.63	8.00	32.50	0.69	-	6.84	
NQT11	3	37.38	30.00	45.63	23.50	28.00	22.00	39.00	6.95	24.75	2.50 X 3.63	8.00	39.00	0.69	-	6.31	

<sup>1</sup> Knockout (K) sizes are actual diameters of knockout, not conduit sizes. Refer to table on page 268 for conduit sizes.

OPTIONAL STAINLESS STEEL ENCLOSURES ARE AVAILABLE.

**Figure 2**



GENERAL INFORMATION

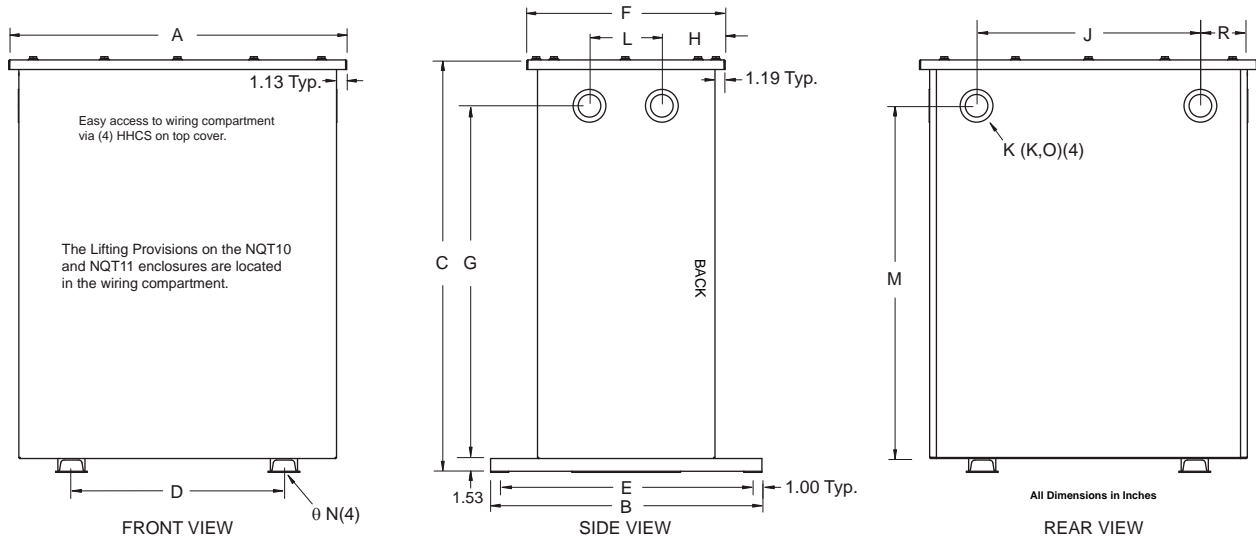




# GENERAL INFORMATION

## TYPE 3R ENCLOSURE DIMENSIONAL DRAWINGS CONTINUED

### 'NQT & NQS' SERIES ENCLOSURES

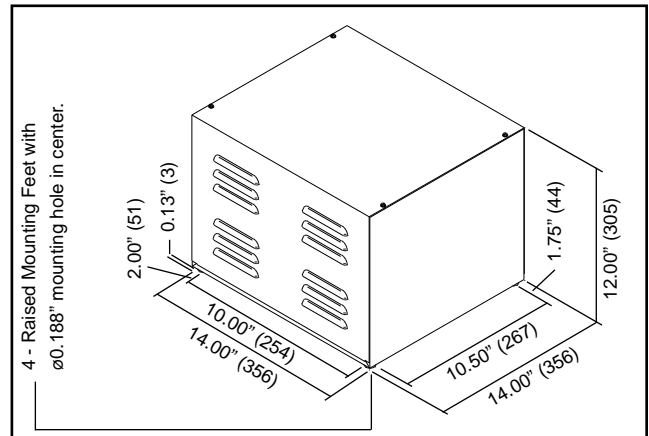
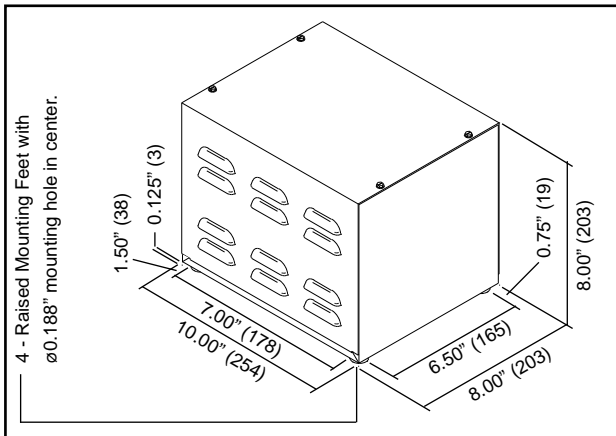


**Figure 3**

## TYPE 2 ENCLOSURE DIMENSIONAL DRAWINGS

### 'N1' SERIES ENCLOSURE

### 'N2' SERIES ENCLOSURE



## Conduit Size vs. Actual Knockout Size Reference Table

Standard Conduit Size	Actual Kockout Diameter
1/2"	7/8"
3/4"	1 1/8"
1"	1 3/8"
1 1/4"	1 3/4"
1 1/2"	2"
2"	2 1/2"
2 1/2"	3"
3"	3 5/8"
3 1/2"	4 1/8"

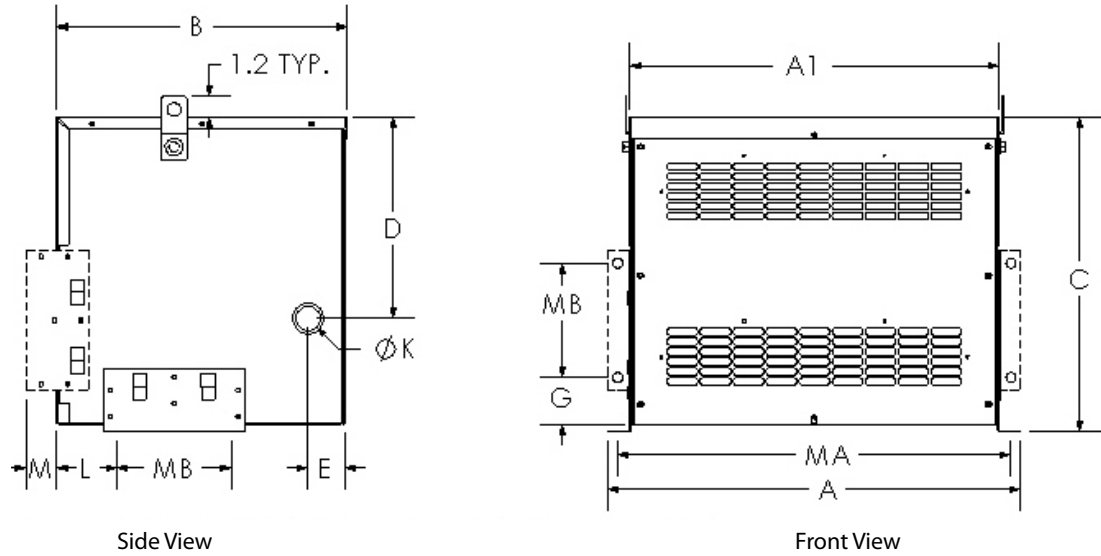
Please note the above table is not applicable for Stainless Steel enclosures.

# GENERAL INFORMATION

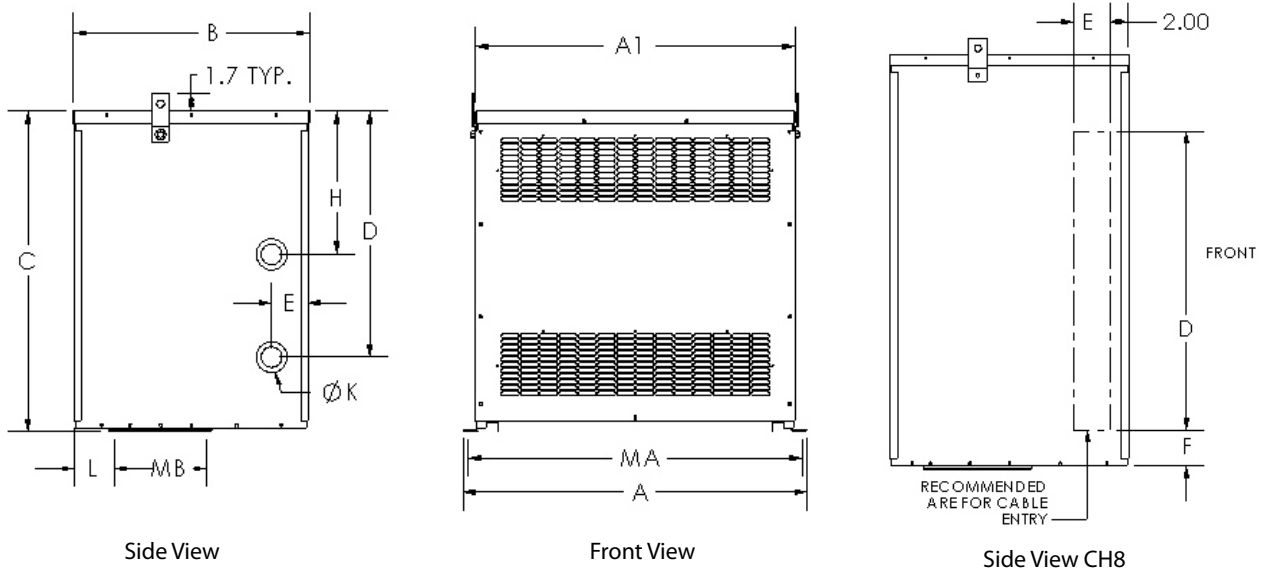
## TYPE 1 ENCLOSURE DIMENSIONAL DRAWINGS

### CH SERIES ENCLOSURES

**Figure 1**



**Figure 2**



Style	Fig #	A	B	A1	C	D	E	F	G	H	K	L	M	MA	MB	Opt. Sprinkler Hood Kit Part Number
CH1	1	21.4	12.5	19.0	16.5	10.0	2.1	-	2.7	-	1.38 X 1.75	1.5	0.3	20.2	6.5	SHCH1
CH2	1	23.5	16.5	21.0	17.9	11.4	2.1	-	3.4	-	1.38 X 1.75	3.4	1.8	22.4	6.5	SHCH2-3
CH3	1	24.1	17.0	21.6	23.9	17.4	2.1	-	6.3	-	1.75 X 2.50	3.6	1.8	23.0	6.5	SHCH2-3
CH4	1	26.1	20.5	23.6	25.9	19.4	2.3	-	6.3	-	2.00 X 3.00	4.0	1.8	25.0	6.5	SHCH4
CH5	1	28.1	21.3	25.6	28.9	22.4	2.3	-	-	12.4	2.00 X 3.00	5.0	-	27.0	6.5	SHCH5
CH6	2	33.5	23.0	31.1	31.2	24.0	3.7	-	-	14.0	2.00 X 3.00	4.0	-	32.5	9.0	SHCH6
CH7	2	33.5	24.0	31.1	40.8	24.0	3.7	-	-	14.0	2.00 X 3.00	4.4	-	32.5	9.0	SHCH7
CH8	2	35.5	26.5	33.1	45.8	33.0	4.0	4.0	-	-	-	5.0	-	34.5	9.5	SHCH8

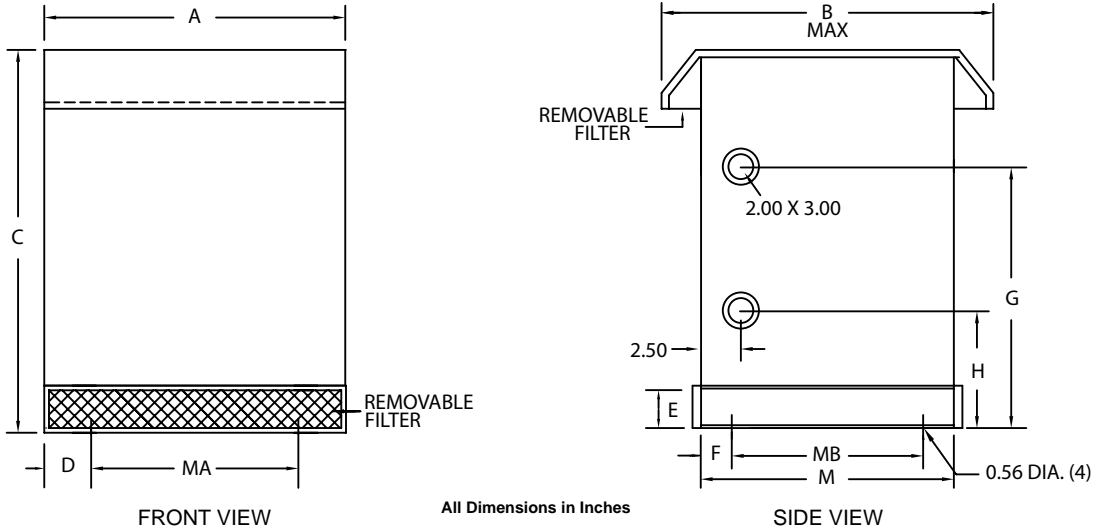
\*CH1 through CH4 include provision for wall mounting

Dimensions in inches



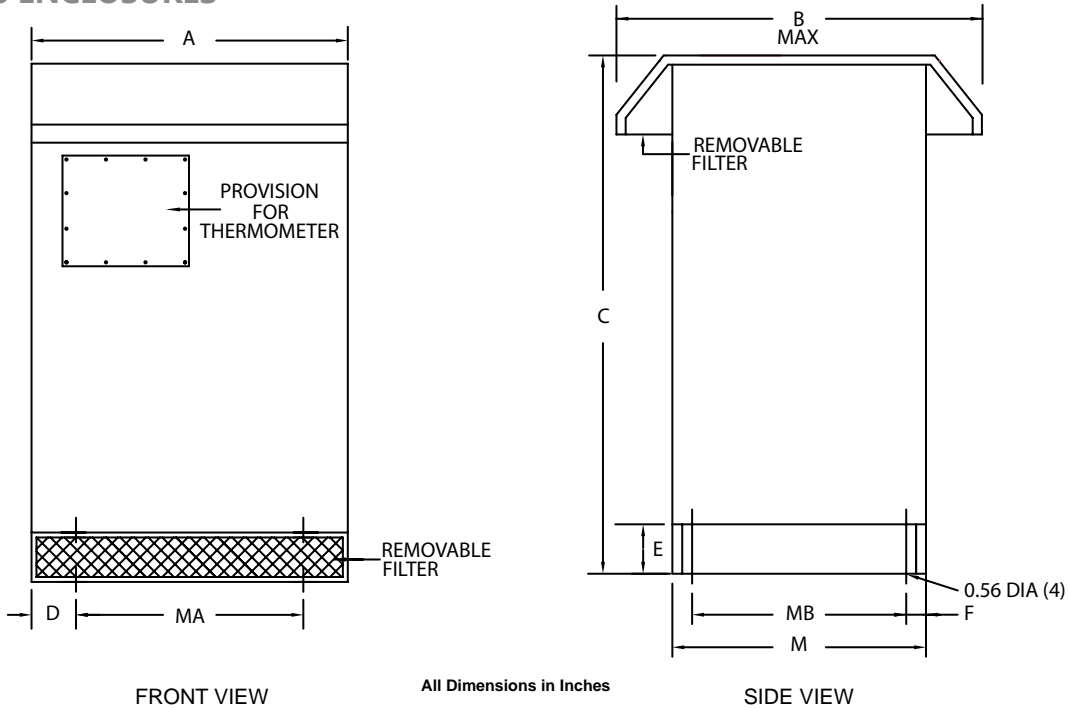
# GENERAL INFORMATION

## TYPE 3RE ENHANCED ENCLOSURE DIMENSIONAL DRAWINGS 'NH' SERIES ENCLOSURES



Case Style	Dimensions in Inches										
	A	B	C	D	E	F	G	H	MA	MB	M
NH3-N3RE	26.00	38.00	42.00	2.25	8.00	0.75	26.00	18.00	21.50	19.00	20.63
NH4-N3RE	32.00	42.00	45.00	4.25	8.00	0.75	29.00	18.00	23.50	23.50	25.13

## 'NJ' SERIES ENCLOSURES

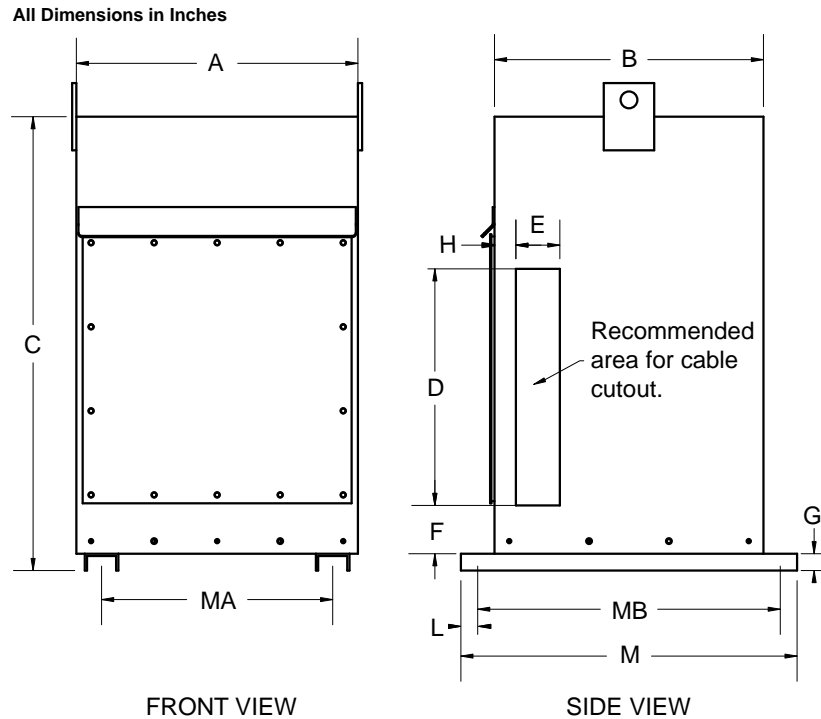


Case Style	Dimensions in Inches									
	A	B	C	D	E	F	MA	MB	M	
NJ1-N3RE	39.50	55.00	57.50	7.63	10.00	1.00	24.00	32.00	34.00	
NJ2-N3RE	48.50	60.00	65.00	10.38	10.00	1.00	27.50	36.00	38.00	
NJ3-N3RE	51.50	65.00	72.00	8.52	10.00	1.00	34.00	41.00	43.00	
NJ4-N3RE	32.00	54.00	56.00	4.88	10.00	1.00	22.00	30.50	32.50	
NJ6-N3RE	64.00	70.00	83.00	12.00	12.00	1.00	40.00	42.00	44.00	
NJ7-N3RE	64.00	77.00	83.00	12.00	12.00	1.00	40.00	49.00	51.00	

# GENERAL INFORMATION

## OPTIONAL TYPE 4 & 12 ENCLOSURE DIMENSIONAL DRAWINGS

'NH-N4 & NH-N12' SERIES ENCLOSURES



Case Style	Dimensions in Inches											
	A	B	C	D	E	F	G	H	L	M	MA	MB
NH5-N4, NH5-N12	16.75	16.00	27.00	16.00	4.00	4.00	1.00	2.00	1.00	20.00	13.75	18.00
NH6-N4, NH6-N12	21.50	21.00	41.00	24.00	5.00	4.00	1.00	2.00	1.00	25.00	17.00	23.00
NH3-N4, NH3-N12	28.00	23.00	55.50	32.00	6.00	4.00	1.50	2.00	1.00	27.00	21.50	25.00
NH4-N4, NH4-N12	34.00	27.00	61.50	36.00	7.00	4.00	1.50	2.00	1.00	31.00	23.50	29.00

Note: Mounting hole dimension is 0.69" diameter.

### Optional Type 4 & 12 Stainless Steel Enclosures

Optional type 4 and 12 rated stainless steel enclosures are available and are designed using either type 304 or 316 stainless steel in accordance with ANSI, NEMA, UL and ABS requirements for indoor, outdoor and marine duty applications.

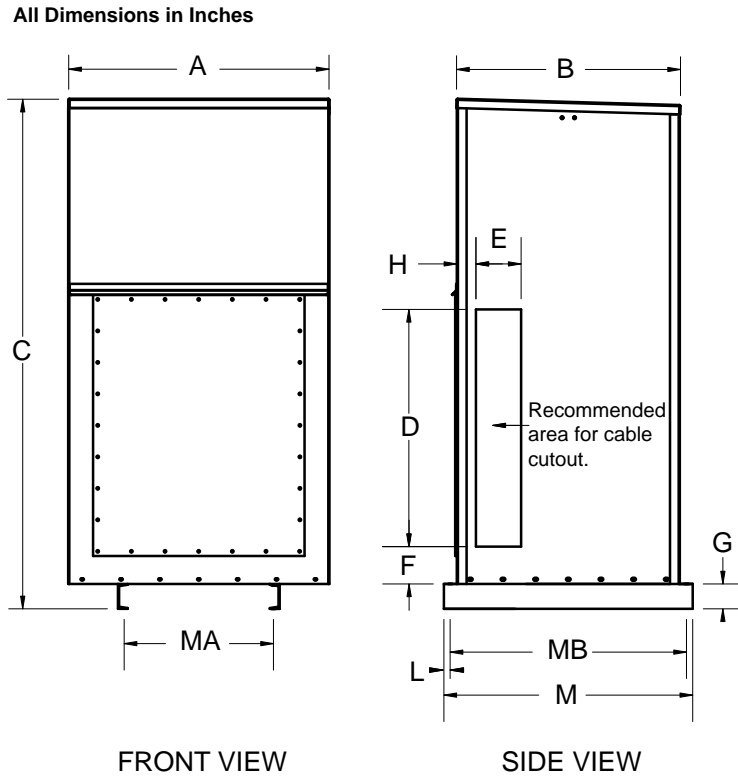
GENERAL  
INFORMATION



# GENERAL INFORMATION

## OPTIONAL TYPE 4 & 12 ENCLOSURE DIMENSIONAL DRAWINGS

'NJ-N4 & NJ-N12' SERIES ENCLOSURES



Case Style	Dimensions in Inches											
	A	B	C	D	E	F	G	H	L	M	MA	MB
NJ1-N4, NJ1-N12	42.00	36.00	82.00	40.00	8.00	6.00	4.00	3.00	1.00	40.00	24.00	38.00

Note: Mounting hole dimension is 0.69" diameter.

GENERAL  
INFORMATION

## Optional Type 4 & 12 Stainless Steel Enclosures

Optional type 4 and 12 rated stainless steel enclosures are available and are designed using either type 304 or 316 stainless steel in accordance with ANSI, NEMA, UL and ABS requirements for indoor, outdoor and marine duty applications.

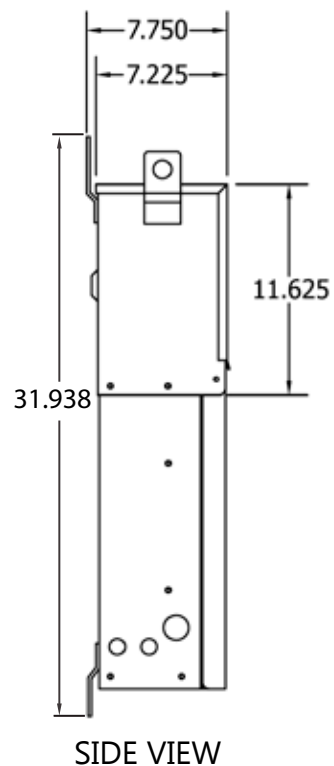
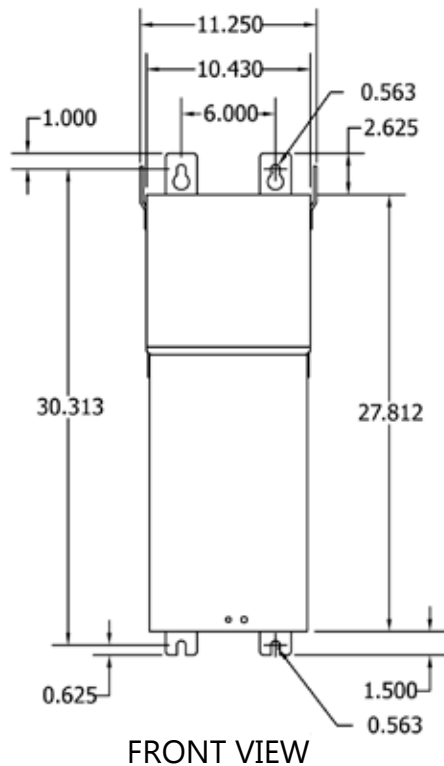


# GENERAL INFORMATION

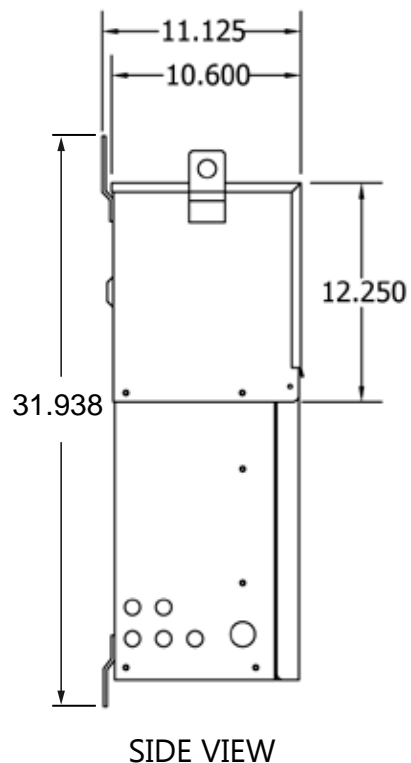
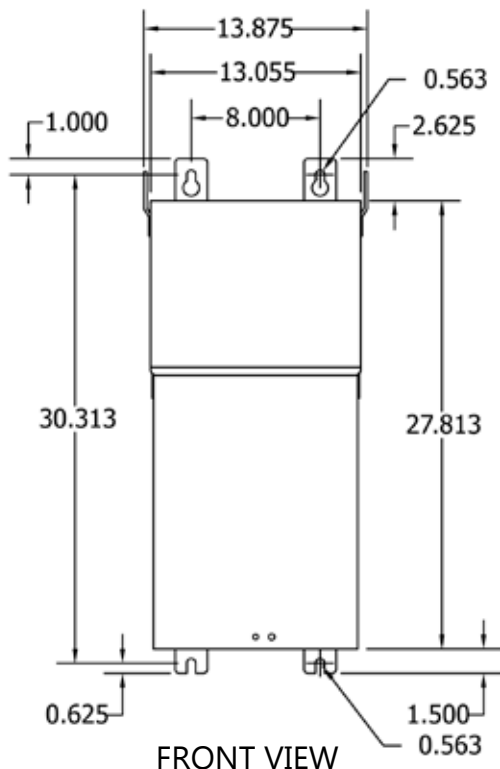
## TYPE 3R ENCLOSURE DIMENSIONAL DRAWINGS

'PPE1 - PPE5' SERIES ENCLOSURES

**PPE1**



**PPE2**



GENERAL  
INFORMATION

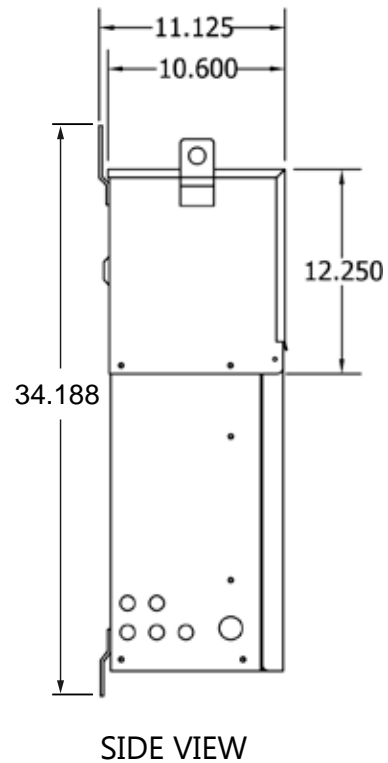
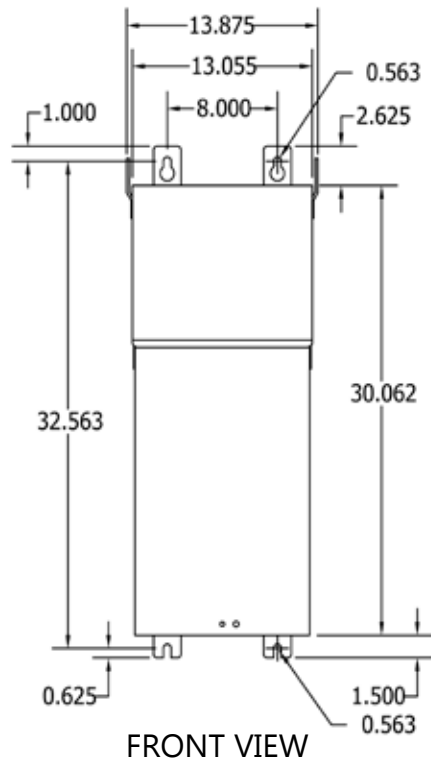


# GENERAL INFORMATION

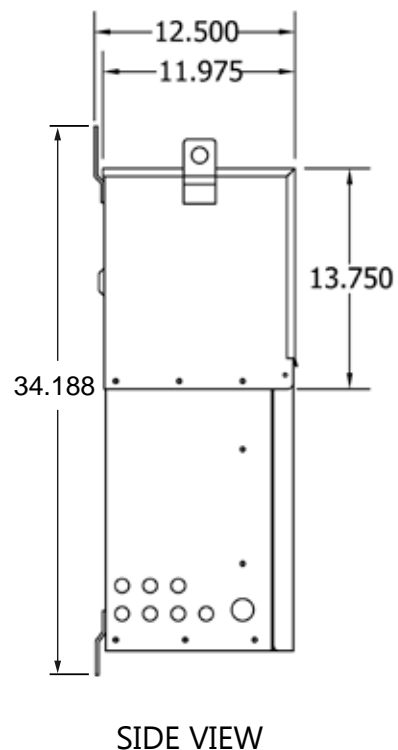
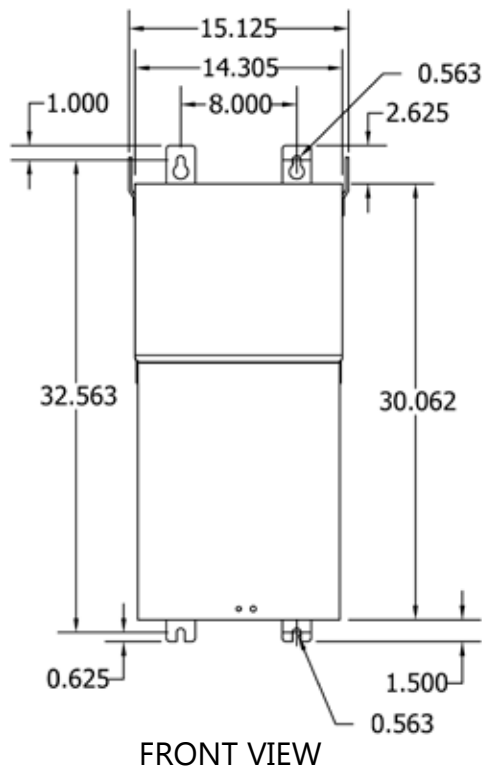
## TYPE 3R ENCLOSURE DIMENSIONAL DRAWINGS

'PPE1 - PPE5' SERIES ENCLOSURES CONTINUED

**PPE3**



**PPE4**



GENERAL  
INFORMATION

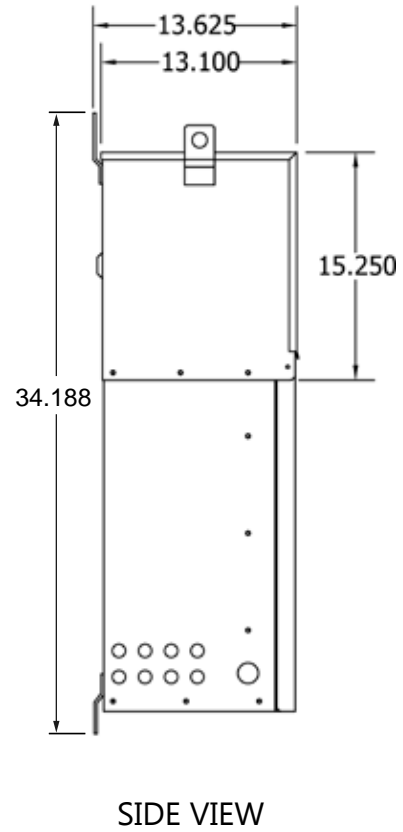
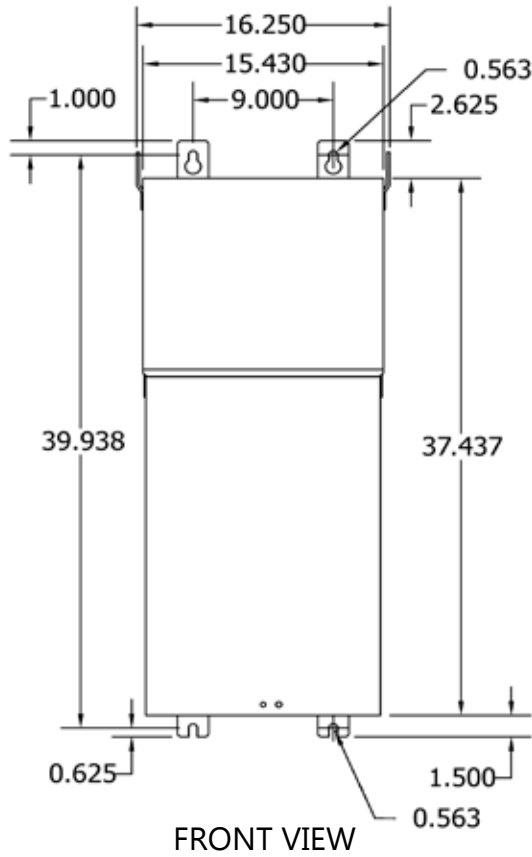


# GENERAL INFORMATION

## TYPE 3R ENCLOSURE DIMENSIONAL DRAWINGS

'PPE1 - PPE5' SERIES ENCLOSURES CONTINUED

PPE5



GENERAL  
INFORMATION





# GENERAL INFORMATION

## ACCESSORIES (for transformers listed in sections 3, 4, 7, 10 and 11)

### ENCLOSURE MOUNTING KITS

If wall and/or ceiling mounting is desired for a transformer, optional mounting kits can be ordered separately. These mounting kits are NOT available for all enclosure case styles. Therefore, it is important that you confirm your enclosure case style, then use the selection table to the right to determine if A) a mounting kit is available and B) determine the correct HPS "Mounting Kit" part number that you must order. One kit is required for each transformer.

**Note:** Some of the mounting kits can be used for both wall and ceiling mount, while others are for wall mounting only. The table indicates which mounting methods are available for each kit. The NW2 wall/ceiling mounting kit also includes a drip plate.

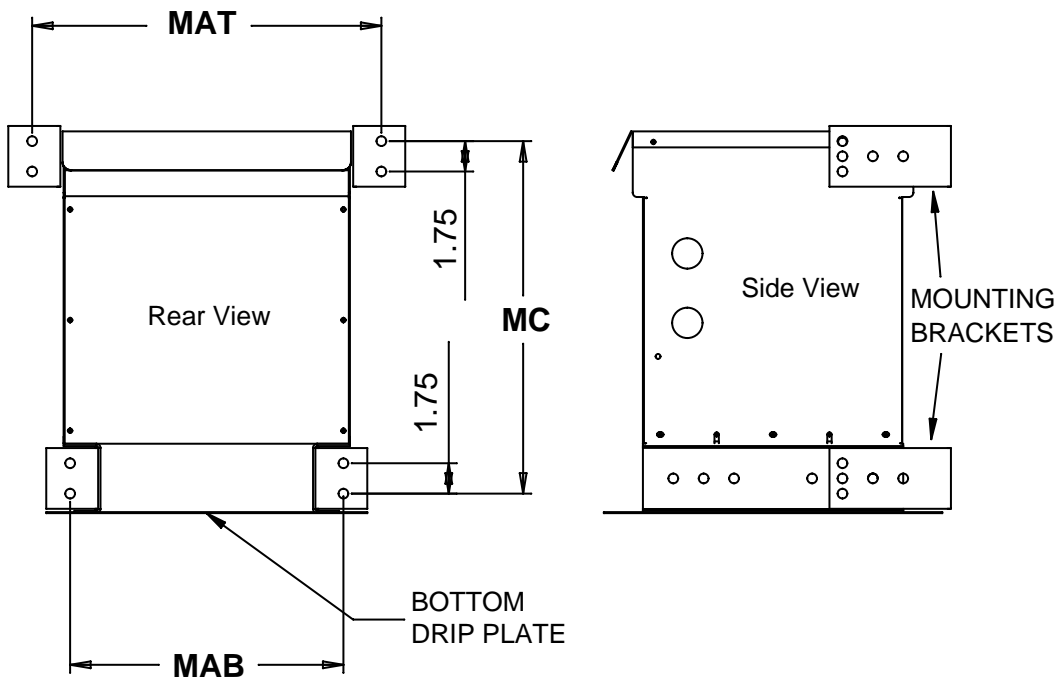
**The NW2 wall/ceiling mounting kit is only designed for units up to 800 pounds (341 kg) maximum.**

Enclosure Case Style	Wall Mount Available	Ceiling Mount Available	HPS Mounting Kit P/N
N1	No	No	N/A
N2	No	No	N/A
NH3	Yes	Yes	NW2
NH4	No	No	N/A
NH5	Yes	Yes	NH5DP
NH6	Yes	Yes	NH6DP
NJ Series	No	No	N/A

### NW2 WALL/CEILING MOUNTING KITS

The following drawings detail the wall and ceiling mounting dimensions required and method by which the NW2 kits are installed on the NH3 enclosures.

### NW2 WALL MOUNT - MOUNTING DIMENSIONS



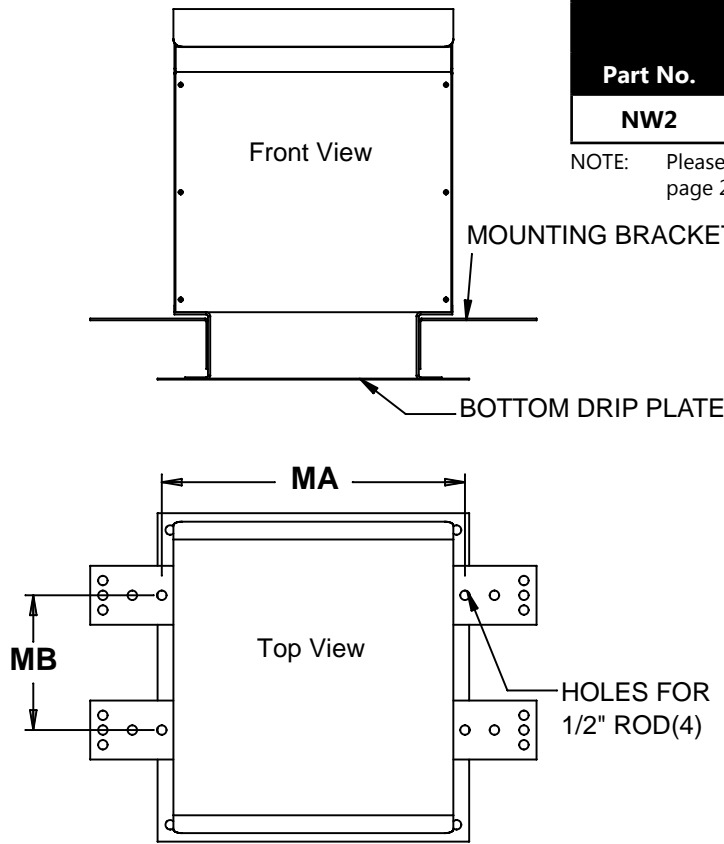
Wall Mounting Dimensions				
Part No.	Enclosure	MAT	MAB	MC
NW2	NH3	29.375	23.50	36.50

NOTE: Please refer to enclosure dimensional drawings on page 264 for more detailed dimensional information.

# GENERAL INFORMATION

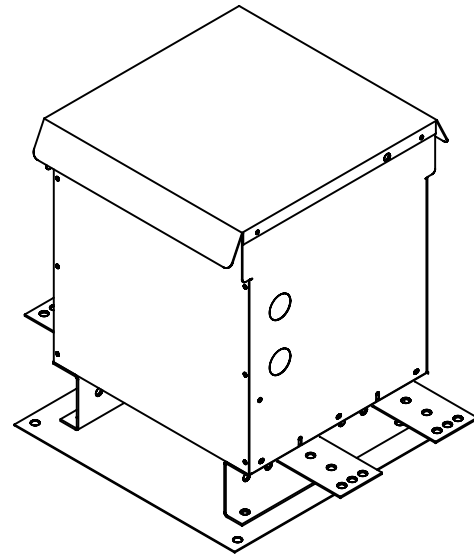
## ACCESSORIES (for transformers listed in sections 3, 4, 7, 10 and 11)

### NW2 CEILING MOUNT - MOUNTING DIMENSIONS



Ceiling Mounting Dimensions			
Part No.	Enclosure	MA	MB
NW2	NH3	26.50	11.75

NOTE: Please refer to enclosure dimensional drawings on page 264 for more detailed dimensional information.

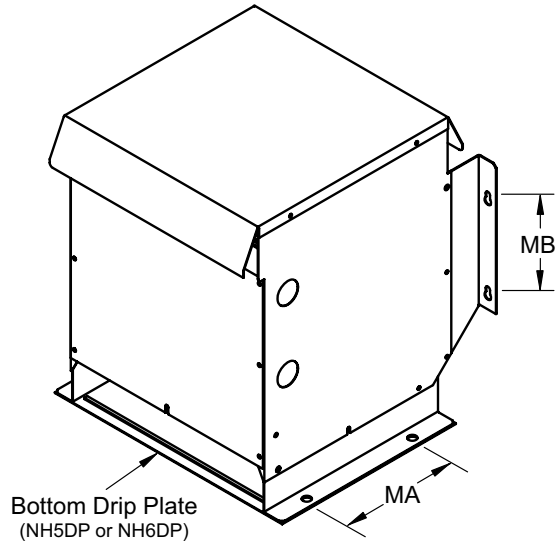


### NH5DP & NH6DP WALL/CEILING MOUNTING KITS

The NH5 and NH6 enclosures are designed with integral wall mounting capabilities. However, when you wall mount them, you must also install the bottom drip plate as shown below. The "MB" dimensions listed in the table below indicate the location for the wall mounting hardware.

For ceiling mounting of the NH5 and NH6, refer to the "MA" dimensions listed in the table below and hang the enclosure using appropriate sized ceiling hanger rods. However, you must be sure to install the bottom drip plate to the bottom of the enclosure, then bring the hanger rod down through both the enclosure bottom mounting holes and through the drip plate mounting holes and install mounting hardware.

NOTE: Do not ceiling mount either the NH5 or NH6 enclosures without installing the bottom drip plate. All mounting hardware should be rated Grade 8 or higher.



Mounting Kit P/N	Enclosure Style	MA Dimension	MB Dimension
NH5DP	NH5	9.00	7.00
NH6DP	NH6	9.00	8.00

NOTE: Please refer to enclosure dimensional drawings on page 264 for more detailed dimensional information.

GENERAL INFORMATION



# GENERAL INFORMATION

## ACCESSORIES (for transformers listed in sections 3, 4, 7, 10 and 11)

### ANTI-VIBRATION PAD AND VIBRATION ISOLATOR KITS

All standard transformers come with installed internal vibration absorbing pads to minimize noise during operation. Optional external "anti-vibration" pad and "vibration isolator" (for higher noise dampening) kits can be used to reduce operating noise even further. All are resistant to industrial contaminants like oils, acids and alkalies.

#### ANTI-VIBRATION PAD KITS

Part No.	Case Style	Description
P1	NH Series	Set of four (4) rubber anti-vibration pads which replace the standard steel enclosure washers.
P2	NJ Series	



All Anti-Vibration Pad kits and Vibration Isolator kits contain a set of four (4) pads or isolators. Therefore only one kit is required per transformer.

#### VIBRATION ISOLATOR KITS

Part No.	Transformer Weight (Lb)	Description
NMP1	Up to 340 lbs	Set of four (4) molded neoprene and steel plate assemblies that virtually eliminate vibration noise between the transformer and the mounting surface.
NMP2	341 to 680 lbs	
NMP3	681 to 1040 lbs	
NMP4	1041 to 1740 lbs	
NMP5	1741 to 2330 lbs	
NMP6	2331 to 3450 lbs	
NMP7	3451 to 4690 lbs	

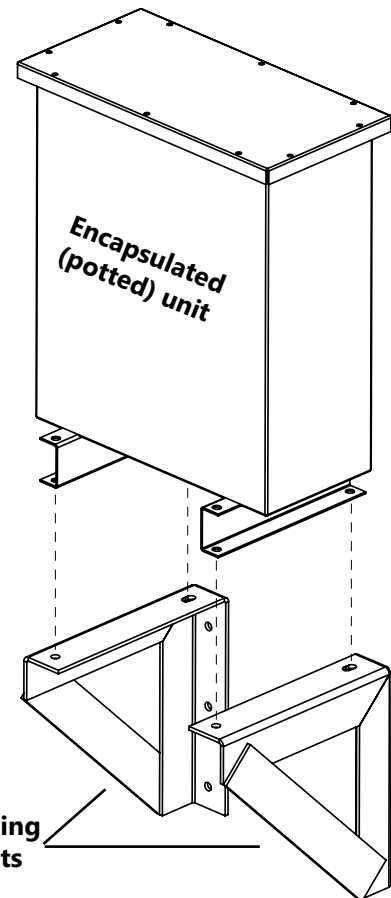


## ACCESSORIES (for transformers listed in sections 8 and 10)

### NQTW1 and NQTW2 Wall Mounting Kits

The **NQTW1** and **NQTW2** wall mounting kits are specifically designed for HPS commercial or industrial encapsulated (potted) distribution transformer units up to a maximum of 45kVA or 800 pounds (363 kg). These mounting kits are designed for encapsulated (potted) units only, no drip plate is included/required. Please contact HPS customer service if you have any questions.

**Note:** Always measure and secure mounting brackets to the wall surface first, then lift the transformer (using appropriate lifting equipment) onto the brackets and attach using minimum Grade 8 hardware.



Enclosure Case Style	Mounting Type	Wall Mounting Kit Part Number
NQ0-NQ8	Wall	Included
NQS10	Wall or Floor	NQTW2
NQT3-NQT6	Wall	Included
NQT7-NQT8	Wall or Floor	NQTW1
NQT9A	Floor	N/A
NQT9*	Wall or Floor	NQTW2

\*Applies to HPS Fortress line only.

# GENERAL INFORMATION

## ACCESSORIES (for transformers listed in sections 8 and 10)

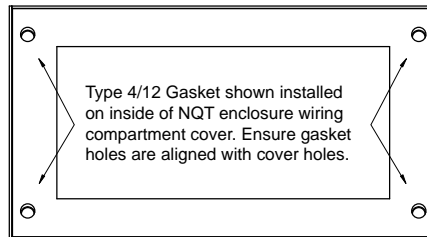
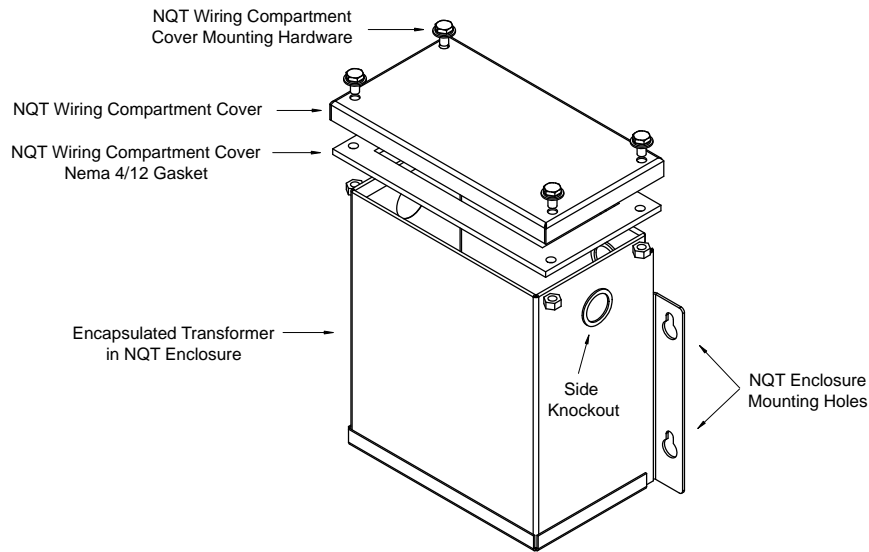
### NQT ENCLOSURE SERIES TYPE 4/12 GASKET KITS

The following options and accessories offered are available on all standard and custom three phase HPS Titan® industrial encapsulated distribution transformers for harsh environments and hazardous locations (see section 8), HPS Fortress™ commercial encapsulated distribution transformers (see section 8) and encapsulated autotransformers (see section 10).

### Optional Type 4/12 Gasket Kits

Standard type 3R rated NQT enclosures can easily be converted to a type 4 or 12 rating by ordering and installing the appropriate gasket kit as listed in the table below.

Enclosure Style	Gasket Kit P/N	Enclosure Style	Gasket Kit P/N
NQT2	NQT2GK	NQT8	NQT8GK
NQT3	NQT3GK	NQT9	NQT9GK
NQT4	NQT4GK	NQT9A	NQT9AGK
NQT5	NQT5GK	NQT10	NQT10GK
NQT6	NQT6GK	NQT11	NQT11GK
NQT7	NQT7GK		



### Optional Stainless Steel Enclosures

Optional type 4 and 12 rated stainless steel enclosures for encapsulated transformers are identical to the standard steel enclosure designs but are designed using either type 304 or 316 stainless steel in accordance with ANSI, NEMA, UL and ABS requirements for indoor, outdoor and marine duty applications.

# GENERAL INFORMATION

## TERMINATION DETAILS - TYPE 3R

The following termination details are for standard 150°C temperature rise HPS Sentinel (section 7), HPS SuperSentinel (section 7) and general purpose medium voltage transformer (section 11) units only.

### SINGLE PHASE, ALUMINUM AND COPPER TERMINATION - LUGS OR PADS

kVA	VOLTAGE											
	120	120/240	208	240	277	347	380	416	480	600	2400	4160
0.25	Leads	Leads	Leads	Leads	Leads	Leads	Leads	Leads	Leads	Leads	-	-
0.5	Leads	Leads	Leads	Leads	Leads	Leads	Leads	Leads	Leads	Leads	-	-
0.75	Leads	Leads	Leads	Leads	Leads	Leads	Leads	Leads	Leads	Leads	-	-
1	Leads	Leads	Leads	Leads	Leads	Leads	Leads	Leads	Leads	Leads	-	-
1.5	Leads	Leads	Leads	Leads	Leads	Leads	Leads	Leads	Leads	Leads	-	-
2	Leads	Leads	Leads	Leads	Leads	Leads	Leads	Leads	Leads	Leads	-	-
3	Leads	Leads	Leads	Leads	Leads	Leads	Leads	Leads	Leads	Leads	-	-
5	Leads	Leads	Leads	Leads	Leads	Leads	Leads	Leads	Leads	Leads	-	-
7.5	Lugs	Lugs	Lugs	Lugs	Lugs	Lugs	Lugs	Lugs	Lugs	Lugs	-	-
10	Lugs	Lugs	Lugs	Lugs	Lugs	Lugs	Lugs	Lugs	Lugs	Lugs	-	-
15	Lugs	Lugs	Lugs	Lugs	Lugs	Lugs	Lugs	Lugs	Lugs	Lugs	Dia. 1A	Dia. 1A
25	Lugs	Lugs	Lugs	Lugs	Lugs	Lugs	Lugs	Lugs	Lugs	Lugs	Dia. 1A	Dia. 1A
37.5	Dia. 2	Lugs	Lugs	Lugs	Lugs	Lugs	Lugs	Lugs	Lugs	Lugs	Dia. 1A	Dia. 1A
50	Dia. 2	Lugs	Lugs	Lugs	Lugs	Lugs	Lugs	Lugs	Lugs	Lugs	Dia. 1A	Dia. 1A
75	Dia. 3	Dia. 2	Dia. 2	Dia. 2	Lugs	Lugs	Lugs	Lugs	Lugs	Lugs	Dia. 1A	Dia. 1A
100	Dia. 3	Dia. 2	Dia. 2	Dia. 2	Dia. 2	Dia. 2	Lugs	Lugs	Lugs	Lugs	Dia. 1A	Dia. 1A
150	Dia. 3	Dia. 3	Dia. 3	Dia. 3	Dia. 2	Dia. 2	Dia. 2	Dia. 2	Dia. 2	Lugs	Dia. 1A	Dia. 1A
167	Dia. 3	Dia. 3	Dia. 3	Dia. 3	Dia. 3	Dia. 2	Dia. 2	Dia. 2	Dia. 2	Dia. 2	Dia. 1A	Dia. 1A

### THREE PHASE, ALUMINUM AND COPPER TERMINATION - LUGS OR PADS

kVA	VOLTAGE									
	208	230	240	277	380	416	480	600	2400	4160
2	Leads	Leads	Leads	Leads	Leads	Leads	Leads	Leads	-	-
3	Leads	Leads	Leads	Leads	Leads	Leads	Leads	Leads	-	-
6	Leads	Leads	Leads	Leads	Leads	Leads	Leads	Leads	-	-
9	Lugs	Lugs	Lugs	Lugs	Lugs	Lugs	Lugs	Lugs	-	-
15	Lugs	Lugs	Lugs	Lugs	Lugs	Lugs	Lugs	Lugs	Dia. 1A	Dia. 1A
30	Lugs	Lugs	Lugs	Lugs	Lugs	Lugs	Lugs	Lugs	Dia. 1A	Dia. 1A
45	Lugs	Lugs	Lugs	Lugs	Lugs	Lugs	Lugs	Lugs	Dia. 1A	Dia. 1A
75	Lugs	Lugs	Lugs	Lugs	Lugs	Lugs	Lugs	Lugs	Dia. 1A	Dia. 1A
112.5	Lugs**	Dia. 1B	Lugs	Lugs	Lugs	Lugs	Lugs	Lugs	Dia. 1A	Dia. 1A
150	Dia. 1B	Dia. 1B	Dia. 1B	Dia. 1B	Lugs	Lugs	Lugs	Lugs	Dia. 1A	Dia. 1A
225	Dia. 2	Dia. 1B	Dia. 1B	Dia. 1B	Dia. 1B	Dia. 1B	Lugs	Lugs	Dia. 1A	Dia. 1A
300	Dia. 2	Dia. 2	Dia. 2	Dia. 2	Dia. 1B	Dia. 1B	Dia. 1B	Dia. 1B	Dia. 1A	Dia. 1A
500	Dia. 3	Dia. 3	Dia. 3	Dia. 3	Dia. 3	Dia. 2	Dia. 2	Dia. 1B	Dia. 1A	Dia. 1A
600	Dia. 3	Dia. 3	Dia. 3	Dia. 3	Dia. 3	Dia. 2	Dia. 2	Dia. 1B	Dia. 1A	Dia. 1A
750	Dia. 3	Dia. 3	Dia. 3	Dia. 3	Dia. 3	Dia. 3	Dia. 3	Dia. 2	Dia. 1B	Dia. 1A

\*\* Lugs only supplied standard on 600V primary to 208Y/120V secondary units.(excluding K-Factor transformers)  
All other voltages supplied standard with Diagram 1B pads.

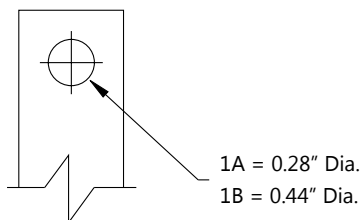


DIAGRAM 1

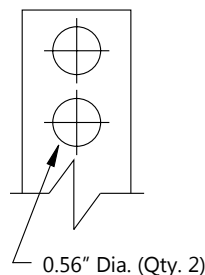


DIAGRAM 2

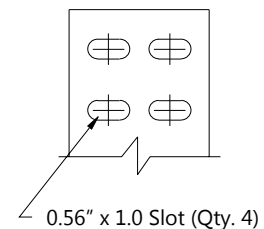


DIAGRAM 3

GENERAL INFORMATION



# GENERAL INFORMATION

## ELECTRICAL SCHEMATICS AND CONNECTION DIAGRAMS

### SCD 1

SCHEMATIC				CONNECTIONS					
				<b>Primary Volts</b>		<b>Connect lines to</b>	<b>Inter-connect</b>		
				240	480	416	H1, H4	H2-H3	
				120	240	208	H1, H4	H1-H3, H2-H4	
				<b>Secondary Volts</b>		<b>Connect lines to</b>	<b>Inter-connect</b>		
				24	32	48	240	X1, X4	X2-X3
				12/24	16/32	24/48	120/240	X1, X2, X4	X2-X3
				12	16	24	120	X1, X2	X2-X4, X1-X3

### SCD 2

SCHEMATIC				CONNECTIONS								
				<b>Primary Volts</b>			<b>Connect lines to</b>	<b>Inter-connect</b>				
				504	440	437	218	291	277	440	H1, H2	1-2
				492		426	213	284		H1, H2	2-3	
				480	416	416	208	277	240	416	H1, H2	3-4
				468		406	203	270		H1, H2	4-5	
				456	400	395	198	263	208	400	H1, H2	5-6
				444		385	192	256		H1, H2	6-7	
				432	380	374	187	249	120	380	H1, H2	7-8
					220						H1, H2	H1-2, H2-1
				240	208	208					H1, H2	H1-4, H2-3
				228	200	198					H1, H2	H1-6, H2-5
				216	190	187					H1, H2	H1-8, H2-7
				<b>Secondary Volts</b>		<b>Connect lines to</b>		<b>Inter-connect</b>				
				240		X1, X4		X2-X3				
				120		X1, X2		X2-X4, X1-X3				
				120/240		X1, X2, X4		X2-X3				

### SCD 3

SCHEMATIC		CONNECTIONS				
		<b>Primary Volts</b>		<b>Connect lines to</b>	<b>Inter-connect</b>	
		630			H1, H2, H3	1-H1, 1-H2, 1-H3
		615			H1, H2, H3	2-H1, 2-H2, 2-H3
		600			H1, H2, H3	3-H1, 3-H2, 3-H3
		585			H1, H2, H3	4-H1, 4-H2, 4-H3
		570			H1, H2, H3	5-H1, 5-H2, 5-H3
		480			H1, H2, H3	6-H1, 6-H2, 6-H3
		456			H1, H2, H3	7-H1, 7-H2, 7-H3
		432			H1, H2, H3	8-H1, 8-H2, 8-H3
		<b>Secondary Volts</b>		<b>Connect lines to</b>	<b>Inter-connect</b>	
		208	480	X1, X2, X3		-
		120	120	X1, X0		-
				X2, X0		-
				X3, X0		-

GENERAL INFORMATION



# GENERAL INFORMATION

## ELECTRICAL SCHEMATICS AND CONNECTION DIAGRAMS

### SCD 4

SCHEMATIC	CONNECTIONS		
	Primary Volts	Connect lines to	Inter-connect
	208 277 347 380 416 600 2400 3300 4160 4800 6600 7200	H1, H2	---
	Secondary Volts	Connect lines to	Inter-connect
	240 120/240 120	24 12/24 12	X1, X4 X1, X2, X4 X1, X2

### SCD 5

SCHEMATIC	CONNECTIONS		
	Primary Volts	Connect lines to	Inter-connect
	120 208 240 277 380 416 480 600	H1, H2	1-2
	114 198 228 263 361 395 156 570	H1, H2	2-3
	108 188 216 249 347 374 432 540	H1, H2	3-4
	Secondary Volts	Connect lines to	Inter-connect
	240 120/240 120	X1, X4 X1, X2, X4 X1, X2	X2-X3 X2-X3 X2-X4, X1-X3

### SCD 6

SCHEMATIC	CONNECTIONS		
	Primary Volts	Connect lines to	Inter-connect
	218 277 291 437 504 630 2520 4368	H1, H2	1-2
	213 - 284 426 492 615 2460 4264	H1, H2	2-3
	208 240 277 416 480 600 2400 4160	H1, H2	3-4
	203 - 270 406 468 585 2340 4056	H1, H2	4-5
	198 208 263 395 456 570 2280 3952	H1, H2	5-6
	Secondary Volts	Connect lines to	Inter-connect
	240 120/240 120	X1, X4 X1, X2, X4 X1, X2	X2-X3 X2-X3 X2-X4, X1-X3

### SCD 7

SCHEMATIC	CONNECTIONS		
	Primary Volts	Connect lines to	Inter-connect
	208 218 242 252 437 480 483 504 604 630	H1, H2, H3	1
	198 208 230 240 416 456 460 480 575 600	H1, H2, H3	2
	187 198 219 228 395 432 437 456 546 570	H1, H2, H3	3
	Secondary Volts	Connect lines to	Inter-connect
	208 230 240 380 416 460 480 600	X1, X2, X3	
	120 133 139 220 240 265 277 347	X1, X0 X2, X0 X3, X0	

# GENERAL INFORMATION

## ELECTRICAL SCHEMATICS AND CONNECTION DIAGRAMS

### SCD 8

SCHEMATIC	CONNECTIONS											
	Primary Volts			Connect lines to Inter-connect								
	218	242	252	437	483	504	604	630	2520	4368	H1, H2, H3	1-2
	208	230	240	416	460	480	575	600	2400	4160	H1, H2, H3	2-3
	198	219	228	395	437	456	546	570	2280	3952	H1, H2, H3	3-4
	Secondary Volts			Connect lines to								
	208	230	240	380	416	460	480	600			X1, X2, X3	
	120	133	139	220	240	265	277	347			X1, X0	X2, X0 X3, X0

### SCD 9

SCHEMATIC	CONNECTIONS									
	Primary Volts			Connect lines to Inter-connect						
	218	242	252	437	483	504	604	630	H1, H2, H3	1
	213	236	246	426	472	492	589	615	H1, H2, H3	2
	208	230	240	416	460	480	575	600	H1, H2, H3	3
	203	224	234	406	449	468	561	585	H1, H2, H3	4
	198	219	228	395	437	456	546	570	H1, H2, H3	5
	Secondary Volts			Connect lines to Inter-connect						
	208	380	416	480	600				X1, X2, X3	-
	120	220	240	277	347				X1, X0	-
									X2, X0	-
									X3, X0	-

### SCD 10

SCHEMATIC	CONNECTIONS											
	Primary Volts			Connect lines to Inter-connect								
	218	242	252	437	483	504	604	630	2520	4368	H1, H2, H3	1-2
	213	236	246	426	472	492	589	615	2460	4264	H1, H2, H3	2-3
	208	230	240	416	460	480	575	600	2400	4160	H1, H2, H3	3-4
	203	224	234	406	449	468	561	585	2340	4056	H1, H2, H3	4-5
	198	219	228	395	437	456	546	570	2280	3952	H1, H2, H3	5-6
	Secondary Volts			Connect lines to Inter-connect								
	208	380	416	480	600				X1, X2, X3	-		
	120	220	240	277	347				X1, X0	-		
									X2, X0	-		
									X3, X0	-		

GENERAL INFORMATION





# GENERAL INFORMATION

## ELECTRICAL SCHEMATICS AND CONNECTION DIAGRAMS

### SCD 11

SCHEMATIC		CONNECTIONS		
		<b>Primary Volts</b>	<b>Connect lines to</b>	<b>Inter-connect</b>
		630	H1, H2, H3	1-H1, 1-H2, 1-H3
		615	H1, H2, H3	2-H1, 2-H2, 2-H3
		600	H1, H2, H3	3-H1, 3-H2, 3-H3
		585	H1, H2, H3	4-H1, 4-H2, 4-H3
		570	H1, H2, H3	5-H1, 5-H2, 5-H3
		504	H1, H2, H3	6-H1, 6-H2, 6-H3
		492	H1, H2, H3	7-H1, 7-H2, 7-H3
		480	H1, H2, H3	8-H1, 8-H2, 8-H3
		468	H1, H2, H3	9-H1, 9-H2, 9-H3
456	H1, H2, H3	10-H1, 10-H2, 10-H3		
		<b>Secondary Volts</b>	<b>Connect lines to</b>	<b>Inter-connect</b>
208	480	X1, X2, X3	-	
120	277	X1, X0	-	
		X2, X0	-	
		X3, X0	-	

### SCD 12

SCHEMATIC		CONNECTIONS		
		<b>Primary Volts</b>	<b>Connect lines to</b>	<b>Inter-connect</b>
		480 600	H1, H2, H3	1-2
		456 570	H1, H2, H3	2-3
		432 540	H1, H2, H3	3-4
		<b>Secondary Volts</b>	<b>Connect lines to</b>	<b>Inter-connect</b>
240		X1, X2, X3	-	

### SCD 13

SCHEMATIC		CONNECTIONS		
		<b>Primary Volts</b>	<b>Connect lines to</b>	<b>Inter-connect</b>
		480 600	H1, H2, H3	1-2
		456 570	H1, H2, H3	2-3
		432 540	H1, H2, H3	3-4
		<b>Secondary Volts</b>	<b>Connect lines to</b>	<b>Inter-connect</b>
240		X1, X2, X3	-	
120		X1, X6	-	
		X3, X6	-	

### SCD 14

SCHEMATIC		CONNECTIONS		
		<b>Connect to</b>	<b>Step Down</b>	<b>Step Up</b>
		Lines from Supply	H1, H2, H3	X1, X2, X3
		<b>Connect to</b>	<b>Step Down</b>	<b>Step Up</b>
		Lines to Load	X1, X2, X3	H1, H2, H3

# GENERAL INFORMATION

## ELECTRICAL SCHEMATICS AND CONNECTION DIAGRAMS

### SCD 15

SCHEMATIC	CONNECTIONS		
	Connect to	Step Down	Step Up
	Lines from Supply	H1, H2, H3	X1, X2, X3
	Lines to Load	X1, X2, X3	H1, H2, H3

### SCD 16

SCHEMATIC	CONNECTIONS		
	Primary Volts	Connect lines to	Inter-connect
	504 630	H1, H2, H3	1
	492 615	H1, H2, H3	2
	480 600	H1, H2, H3	3
	468 585	H1, H2, H3	4
	456 570	H1, H2, H3	5
	Secondary Volts	Connect lines to	Inter-connect
240	X1, X2, X3	-	

### SCD 17

SCHEMATIC	CONNECTIONS		
	Primary Volts	Connect lines to	Inter-connect
	504	H1, H4	1-H2, 2-H3, H2-H3
	492	H1, H4	3-H2, 2-H3, H2-H3
	480	H1, H4	3-H2, 4-H3, H2-H3
	468	H1, H4	5-H2, 4-H3, H2-H3
	456	H1, H4	5-H2, 6-H3, H2-H3
	444	H1, H4	7-H2, 6-H3, H2-H3
	432	H1, H4	7-H2, 8-H3, H2-H3
	252	H1, H4	1-H2, 2-H3, H1-H3, H2-H4
	240	H1, H4	3-H2, 4-H3, H1-H3, H2-H4
	228	H1, H4	5-H2, 6-H3, H1-H3, H2-H4
	216	H1, H4	7-H2, 8-H3, H1-H3 H2-H4
	Secondary Volts	Connect lines to	Inter-connect
	240	X1, X4	X2-X3
	120	X1, X2	X2-X4, X1-X3
120/240	X1, X2, X4	X2-X3	

### SCD 18

SCHEMATIC	CONNECTIONS		
	Primary Volts	Connect lines to	Inter-connect
	218 252 277 291 437 504 630	H1, H4	-
	208 240 240 277 416 480 600	H1, H3	-
	198 228 208 263 395 456 570	H1, H2	-
	Secondary Volts	Connect lines to	Inter-connect
	240	X1, X4	X2-X3
	120	X1, X2	X2-X4, X1-X3
120/240	X1, X2, X4	X2-X3	

GENERAL INFORMATION



# GENERAL INFORMATION

## ELECTRICAL SCHEMATICS AND CONNECTION DIAGRAMS

### SCD 19

SCHEMATIC		CONNECTIONS		
	<b>Primary Volts</b>	<b>Connect lines to</b>	<b>Inter-connect</b>	
	218 504 630	H1, H2, H3	1-H1, 1-H2, 1-H3	
	213 492 615	H1, H2, H3	2-H1, 2-H2, 2-H3	
208 480 600	H1, H2, H3	3-H1, 3-H2, 3-H3		
203 468 585	H1, H2, H3	4-H1, 4-H2, 4-H3		
198 456 570	H1, H2, H3	5-H1, 5-H2, 5-H3		
193 444 556	H1, H2, H3	6-H1, 6-H2, 6-H3		
188 432 542	H1, H2, H3	7-H1, 7-H2, 7-H3		
<b>Secondary Volts</b>	<b>Connect lines to</b>	<b>Inter-connect</b>		
208 480	X1, X2, X3	-		
120 277	X1, X0 X2, X0 X3, X0	-		

### SCD 20

SCHEMATIC		CONNECTIONS		
	<b>Primary Volts</b>	<b>Connect lines to</b>	<b>Inter-connect</b>	
	218 504 630	H1, H2, H3	1-2	
	213 492 600	H1, H2, H3	2-3	
208 480 570	H1, H2, H3	3-4		
203 468 570	H1, H2, H3	4-5		
198 456 504	H1, H2, H3	5-6		
193 444 480	H1, H2, H3	6-7		
188 432 456	H1, H2, H3	7-8		
<b>Secondary Volts</b>	<b>Connect lines to</b>	<b>Inter-connect</b>		
208 480	X1, X2, X3	-		
120 277	X1, X0 X2, X0 X3, X0	-		

### SCD 21

SCHEMATIC		CONNECTIONS		
	<b>Primary Volts</b>	<b>Connect lines to</b>	<b>Inter-connect</b>	
	504	H1, H2, H3	1-H1, 1-H2, 1-H3	
	492	H1, H2, H3	2-H1, 2-H2, 2-H3	
480	H1, H2, H3	3-H1, 3-H2, 3-H3		
468	H1, H2, H3	4-H1, 4-H2, 4-H3		
456	H1, H2, H3	5-H1, 5-H2, 5-H3		
444	H1, H2, H3	6-H1, 6-H2, 6-H3		
432	H1, H2, H3	7-H1, 7-H2, 7-H3		
<b>Secondary Volts</b>	<b>Connect lines to</b>	<b>Inter-connect</b>		
240	X1, X2, X3	-		
120	X1, X6	-		
	X3, X6	-		

### SCD 22

SCHEMATIC		CONNECTIONS		
	<b>Primary Volts</b>	<b>Connect lines to</b>	<b>Inter-connect</b>	
	504	H1, H2, H3	1-2	
	492	H1, H2, H3	2-3	
480	H1, H2, H3	3-4		
468	H1, H2, H3	4-5		
456	H1, H2, H3	5-6		
444	H1, H2, H3	6-7		
432	H1, H2, H3	7-8		
<b>Secondary Volts</b>	<b>Connect lines to</b>	<b>Inter-connect</b>		
240	X1, X2, X3	-		
120	X1, X6	-		
	X3, X6	-		

# GENERAL INFORMATION

## ELECTRICAL SCHEMATICS AND CONNECTION DIAGRAMS

### SCD 23

SCHEMATIC		CONNECTIONS					
		<b>Primary Volts</b>		<b>Connect lines to</b>	<b>Inter-connect</b>		
		208	240	252	X1, X2, X3	1-2	
		198	228	240	X1, X2, X3	2-3	
		<b>Secondary Volts</b>		<b>Inter-connect</b>			
		230	260	460	480	H1, H2, H3	
		133	139	265	277	H1, H0	H2, H0 H3, H0

### SCD 24

SCHEMATIC		CONNECTIONS		
		<b>Connect to</b>	<b>Step Down</b>	<b>Step Up</b>
		Lines from Supply	H1, H2, H3	X1, X2, X3
		Lines to Load	X1, X2, X3	H1, H2, H3

### SCD 25

SCHEMATIC		CONNECTIONS						
		<b>Primary Volts</b>			<b>Connect lines to</b>	<b>Inter-connect</b>		
		208	240	416	480	600	H1, H2, H3	1-2
		198	228	395	456	570	H1, H2, H3	2-3
		<b>Secondary Volts</b>			<b>Inter-connect</b>			
		208	380	416	480	600	X1, X2, X3	
		120	220	240	277	347	X1, X0	X2, X0 X3, X0

### SCD 26

SCHEMATIC		CONNECTIONS				
		<b>Primary Volts</b>		<b>Connect lines to</b>	<b>Inter-connect</b>	
		218	252	X1, X2, X3	1	
		213	246	X1, X2, X3	2	
		208	240	X1, X2, X3	3	
		203	234	X1, X2, X3	4	
		198	228	X1, X2, X3	5	
		<b>Secondary Volts</b>		<b>Inter-connect</b>		
		460	480	600	H1, H2, H3	
		265	277	347	H1, H0	H2, H0 H3, H0

### SCD 27

SCHEMATIC		CONNECTIONS			
		<b>Primary Volts</b>		<b>Connect lines to</b>	<b>Inter-connect</b>
		630		H1, H2, H3	1-2
		600		H1, H2, H3	2-3
		<b>Secondary Volts</b>		<b>Inter-connect</b>	
		570		H1, H2, H3	3-4
		240		X1, X2, X3	-

GENERAL INFORMATION



# GENERAL INFORMATION

## ELECTRICAL SCHEMATICS AND CONNECTION DIAGRAMS

### SCD 28

SCHEMATIC	CONNECTIONS		
	Primary Volts	Connect lines to	Inter-connect
	480 (60Hz)	H1, H10	H5-H6
	440	H1, H10	H5-H6
	416	H1, H9	H4-H6
	400	H1, H8	H3-H6
	380	H1, H7	H2-H6
	240 (60Hz)	H1, H10	H1-H6, H5-H10
	220	H1, H10	H1-H6, H5-H10
	208	H1, H9	H1-H6, H5-H10
	200	H1, H8	H1-H6, H3-H8
	190	H1, H7	H1-H6, H2-H7
	Secondary Volts	Connect lines to	Inter-connect
	240	X1, X4	X2-X3
	120/240	X1, X2, X4	X2-X3
	120	X1, X4	X2-X4, X1-X3

### SCD 29

SCHEMATIC	CONNECTIONS			
	Primary Volts	Connect lines to	Inter-connect	
	630	504	H1, H2, H3	1-2
	615	492	H1, H2, H3	2-3
	600	480	H1, H2, H3	3-4
	585	468	H1, H2, H3	4-5
	570	456	H1, H2, H3	5-6
	Secondary Volts	Connect lines to	Inter-connect	
240	X1, X2, X3			

### SCD 30

SCHEMATIC	CONNECTIONS		
	Primary Volts	Connect lines to	Inter-connect
	440	H1, H4	1-H2, 2-H3, H2-H3
	416	H1, H4	3-H2, 4-H3, H2-H3
	400	H1, H4	5-H2, 6-H3, H2-H3
	380	H1, H4	7-H2, 8-H3, H2-H3
	220	H1, H4	1-H2, 2-H3, H1-H3, H2-H4
	208	H1, H4	3-H2, 4-H3, H1-H3, H2-H4
	200	H1, H4	5-H2, 6-H3, H1-H3, H2-H4
	190	H1, H4	7-H2, 8-H3, H1-H3, H2-H4
	Secondary Volts	Connect lines to	Inter-connect
	240	X1, X4	X2-X3
120	X1, X2	X2-X4, X1-X3	
120/240	X1, X2, X4	X2-X3	

# GENERAL INFORMATION

## ELECTRICAL SCHEMATICS AND CONNECTION DIAGRAMS

### SCD 31

SCHEMATIC		CONNECTIONS		
		<b>Primary Volts</b>	<b>Connect lines to</b>	<b>Inter-connect</b>
		218 291 437 504 630	H1, H6	-
		213 284 423 492 615	H1, H5	-
		208 277 416 480 600	H2, H5	-
		203 270 406 468 585	H2, H4	-
		198 263 395 456 570	H3, H4	-
		<b>Secondary Volts</b>	<b>Connect lines to</b>	<b>Inter-connect</b>
		240	X1, X4	X2-X3
		120/240	X1, X2, X4	X2-X3
		120	X1, X2	X2-X4, X1-X3

### SCD 32

SCHEMATIC		CONNECTIONS		
		<b>Primary Volts</b>	<b>Connect lines to</b>	<b>Inter-connect</b>
		208 277 416 480 600	H1, H4	-
		198 263 395 456 570	H1, H3	-
		188 249 374 432 540	H2, H3	-
		<b>Secondary Volts</b>	<b>Connect lines to</b>	<b>Inter-connect</b>
		240	X1, X4	X2-X3
		120/240	X1, X2, X4	X2-X3
		120	X1, X2	X2-X4, X1-X3

### SCD 33

SCHEMATIC		CONNECTIONS		
		<b>Primary Volts</b>	<b>Connect lines to</b>	<b>Inter-connect</b>
		380	H1, H3	-
		347	H1, H2	-
		<b>Secondary Volts</b>	<b>Connect lines to</b>	<b>Inter-connect</b>
		240	X1, X4	X2-X3
		120/240	X1, X2, X4	X2-X3
		120	X1, X2	X2-X4, X1-X3

### SCD 34

SCHEMATIC		CONNECTIONS		
		<b>Primary Volts</b>	<b>Connect lines to</b>	<b>Inter-connect</b>
		480	H1, H4	1-H2, 2-H3, H2-H3
		456	H1, H4	2-H3, 3-H2, H2-H3
		432	H1, H4	3-H2, 4-H3, H2-H3
		240	H1, H4	1-H2, 2-H3, H1-H3, H2-H4
		216	H1, H4	3-H2, 4-H3, H1-H3, H2-H4
		<b>Secondary Volts</b>	<b>Connect lines to</b>	<b>Inter-connect</b>
		240	X1, X4	X2-X3
		120/240	X1, X2, X4	X2-X3
		120	X1, X2	X2-X4, X1-X3

# GENERAL INFORMATION

## ELECTRICAL SCHEMATICS AND CONNECTION DIAGRAMS

### SCD 35

SCHEMATIC		CONNECTIONS			
	<b>Primary Volts</b>		<b>Connect lines to</b>	<b>Inter-connect</b>	
	218*	504	630	H1, H2, H3	1-H1, 1-H2, 1-H3
	213*	492	615	H1, H2, H3	2-H1, 2-H2, 2-H3
	208*	480	600	H1, H2, H3	3-H1, 3-H2, 3-H3
203*	468	585	H1, H2, H3	4-H1, 4-H2, 4-H3	
198*	456	570	H1, H2, H3	5-H1, 5-H2, 5-H3	
<b>Secondary Volts</b>		<b>Connect lines to</b>		<b>Inter-connect</b>	
208	480	600	X1, X2, X3	-	
120	277	347	X1, X0 X2, X0 X3, X0	-	

\* Standard 2-2.5% FCAN and 2-2.5% FCBN primary taps for 208V H2EM units only available up to 75 kVA. Please consult factory for standard taps on 208V primary units over 75 kVA.

### SCD 36

SCHEMATIC		CONNECTIONS			
	<b>Primary Volts</b>		<b>Connect lines to</b>	<b>Inter-connect</b>	
	218*	504	630	H1, H2, H3	1-2
	213*	492	615	H1, H2, H3	2-3
	208*	480	600	H1, H2, H3	3-4
203*	468	585	H1, H2, H3	4-5	
198*	456	570	H1, H2, H3	5-6	
<b>Secondary Volts</b>		<b>Connect lines to</b>		<b>Inter-connect</b>	
208	480	600	X1, X2, X3	-	
120	277	347	Y1, Y2, Y3	-	
			X1, X0/Y0	-	
			X2, X0/Y0	-	
			X3, X0/Y0	-	
			Y1, X0/Y0	-	
			Y2, X0/Y0	-	
			Y3, X0/Y0	-	

\* Standard 2-2.5% FCAN and 2-2.5% FCBN primary taps for 208V H2EM units only available up to 75 kVA. Please consult factory for standard taps on 208V primary units over 75 kVA.

### SCD 37

SCHEMATIC		CONNECTIONS			
	<b>Primary Volts</b>		<b>Connect lines to</b>	<b>Inter-connect</b>	
	480			H1, H2, H3	1
	456			H1, H2, H3	2
	432			H1, H2, H3	3
<b>Secondary Volts</b>		<b>Connect lines to</b>		<b>Inter-connect</b>	
240			X1, X2, X3	-	

# GENERAL INFORMATION

## ELECTRICAL SCHEMATICS AND CONNECTION DIAGRAMS

### SCD 38

SCHEMATIC		CONNECTIONS		
		<b>Primary Volts</b>	<b>Connect lines to</b>	<b>Inter-connect</b>
		504	H1, H2, H3	1
		492	H1, H2, H3	2
		480	H1, H2, H3	3
		468	H1, H2, H3	4
		456	H1, H2, H3	5
		444	H1, H2, H3	6
		432	H1, H2, H3	7
		<b>Secondary Volts</b>	<b>Connect lines to</b>	<b>Inter-connect</b>
		240	X1, X2, X3	-

### SCD 39

SCHEMATIC		CONNECTIONS				
		<b>Primary Volts</b>	<b>Connect lines to</b>	<b>Inter-connect</b>		
		218 291 437 504 630	H1, H2	1		
		213 284 426 492 615	H1, H2	2		
		208 277 416 480 600	H1, H2	3		
		203 270 406 468 585	H1, H2	4		
		198 263 395 456 570	H1, H2	5		
				<b>Secondary Volts</b>	<b>Connect lines to</b>	<b>Inter-connect</b>
				240	X1, X4	X2-X3
		120/240	X1, X2, X4	X2-X3		
		120	X1, X2	X2-X4, X1-X3		

### SCD 40

SCHEMATIC		CONNECTIONS			
		<b>Primary Volts</b>	<b>Connect lines to</b>	<b>Inter-connect</b>	
		208 240	X1, X2, X3	1	
		198 228	X1, X2, X3	2	
		188 216	X1, X2, X3	3	
				<b>Secondary Volts</b>	<b>Inter-connect</b>
				230 260 460 480	H1, H2, H3
				133 139 265 277	H1, H0 H2, H0 H3, H0

### SCD 41

SCHEMATIC		CONNECTIONS				
		<b>Primary Volts</b>	<b>Connect lines to</b>	<b>Inter-connect</b>		
		277	H1, H5	-		
		240	H1, H4	-		
		208	H1, H3	-		
		120	H1, H2	-		
				<b>Secondary Volts</b>	<b>Connect lines to</b>	<b>Inter-connect</b>
				240	X1, X4	X2-X3
				120/240	X1, X2, X4	X2-X3
		120	X1, X2	X2-X4, X1-X3		

GENERAL INFORMATION





# GENERAL INFORMATION

## ELECTRICAL SCHEMATICS AND CONNECTION DIAGRAMS

### SCD 42

SCHEMATIC	CONNECTIONS		
	<b>Primary Volts</b>	<b>Connect lines to</b>	<b>Inter-connect</b>
	480	H1, H3	-
	277	H1, H2	-
	<b>Secondary Volts</b>	<b>Connect lines to</b>	<b>Inter-connect</b>
277	X1, X3	-	
208	X1, X2	-	

### SCD 43

SCHEMATIC	CONNECTIONS		
	<b>Primary Volts</b>	<b>Connect lines to</b>	<b>Inter-connect</b>
	480	H1, H2	1-2
	277	H1, H2	3-4
	<b>Secondary Volts</b>	<b>Connect lines to</b>	<b>Inter-connect</b>
277	X1, X2	X5-X6	
208	X1, X2	X3-X4	

### SCD 44

SCHEMATIC	CONNECTIONS		
	<b>Primary Volts</b>	<b>Connect lines to</b>	<b>Inter-connect</b>
	380	H1, H2	1-2
	347	H1, H2	3-4
	<b>Secondary Volts</b>	<b>Connect lines to</b>	<b>Inter-connect</b>
240	X1, X4	X2-X3	
120/240	X1, X2, X4	X2-X3	
120	X1, X2	X2-X4, X1-X3	

### SCD 45

SCHEMATIC	CONNECTIONS		
	<b>Primary Volts</b>	<b>Connect lines to</b>	<b>Inter-connect</b>
	630	H1, H2, H3	1
	615	H1, H2, H3	2
	600	H1, H2, H3	3
585	H1, H2, H3	4	
570	H1, H2, H3	5	
<b>Secondary Volts</b>	<b>Connect lines to</b>	<b>Inter-connect</b>	
240	X1, X2, X3	-	

# GENERAL INFORMATION

## ELECTRICAL SCHEMATICS AND CONNECTION DIAGRAMS

### SCD 46

SCHEMATIC	CONNECTIONS		
	Primary Volts	Connect lines to	Inter-connect
	480 (60Hz)	H1, H2	1-2
	440	H1, H2	1-2
	416	H1, H2	3-4
	400	H1, H2	5-6
	380	H1, H2	7-8
	240 (60Hz)	H1, H2	H1-2, H2-1
	220	H1, H2	H1-2, H2-1
	208	H1, H2	H1-4, H2-3
	200	H1, H2	H1-6, H2-5
	190	H1, H2	H1-8, H2-7
	<b>Secondary Volts</b>	<b>Connect lines to</b>	<b>Inter-connect</b>
	240	X1, X4	X2-X3
	120	X1, X2	X2-X4, X1-X3
	120/240	X1, X2, X4	X2-X3

### SCD 47

SCHEMATIC	CONNECTIONS		
	Primary Volts	Connect lines to	Inter-connect
	630	H1, H2, H3	1-H1, 1-H2, 1-H3
	615	H1, H2, H3	2-H1, 2-H2, 2-H3
	600	H1, H2, H3	3-H1, 3-H2, 3-H3
	585	H1, H2, H3	4-H1, 4-H2, 4-H3
	570	H1, H2, H3	5-H1, 5-H2, 5-H3
	480	H1, H2, H3	6-H1, 6-H2, 6-H3
	456	H1, H2, H3	7-H1, 7-H2, 7-H3
	432	H1, H2, H3	8-H1, 8-H2, 8-H3
	<b>Secondary Volts</b>	<b>Connect lines to</b>	<b>Inter-connect</b>
	480	X1, X2, X3	-
	277	X1, X0   X2, X0   X3, X0	-

### SCD 48

SCHEMATIC	CONNECTIONS		
	Primary Volts	Connect lines to	Inter-connect
	347	H1, H2	H2-3 & 4
	380	H1, H2	H2-1 & 2
	<b>Secondary Volts</b>	<b>Connect lines to</b>	<b>Inter-connect</b>
	240	X1, X4	X2-X3
	120	X1, X2	X1-X3, X2-X3
120/240	X1, X2, X4	X2-X3	

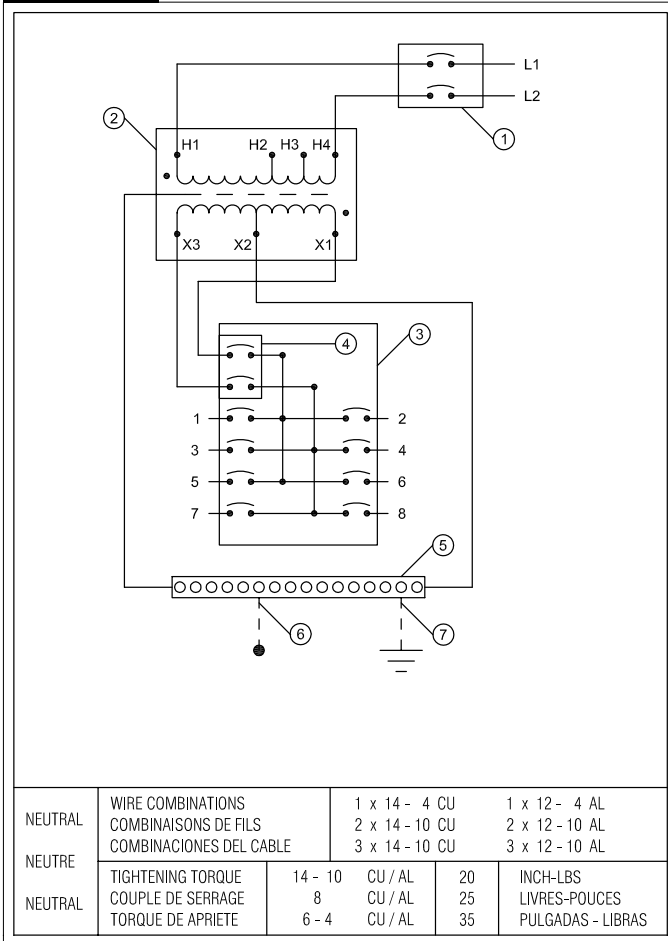
GENERAL INFORMATION



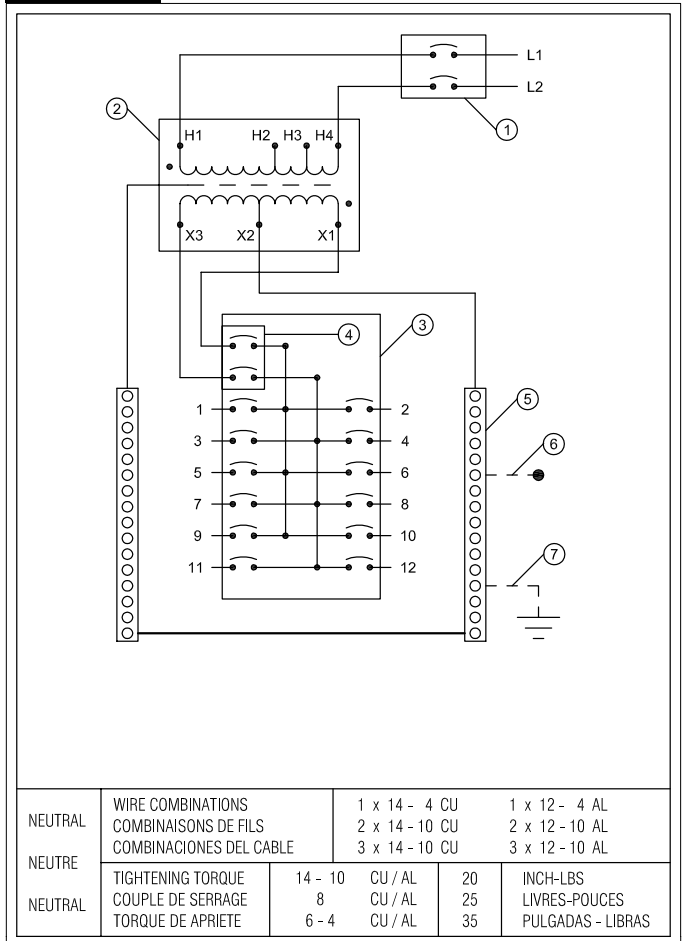
# GENERAL INFORMATION

## ELECTRICAL SCHEMATICS AND CONNECTION DIAGRAMS

### SCD 49



### SCD 50



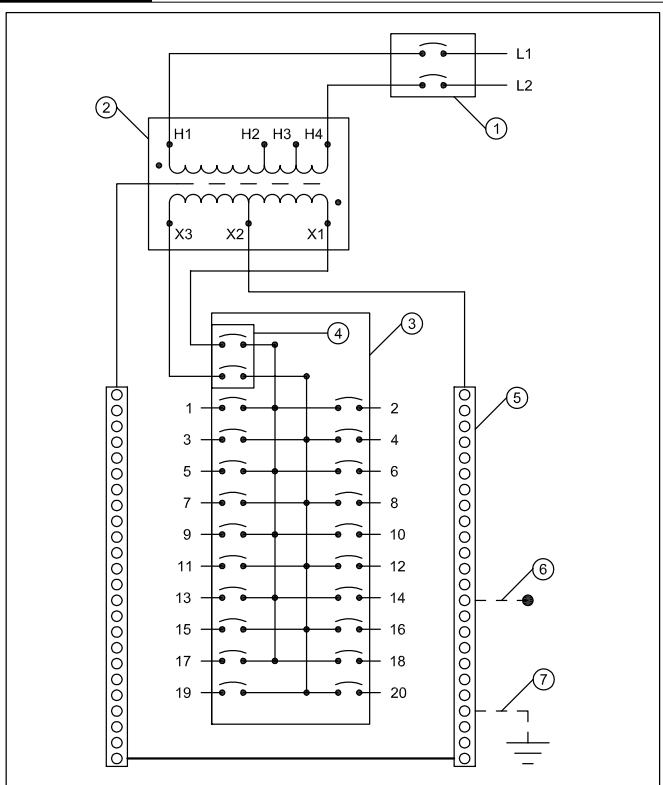
- 1 - Main Breaker
- 2 - Transformer
- 3 - Panel Board
- 4 - Panel Board Feed Breaker
- 5 - Neutral
- 6 - Bond When Required
- 7 - Ground When Required

- The maximum continuous load current not to exceed 100% of the transformer nominal current.
- The maximum continuous load current for the branch circuits not to exceed 80% of the ratings of the circuit breakers employed in other than motor circuits.
- Maximum short-circuit capacity 10,000 amps

# GENERAL INFORMATION

## ELECTRICAL SCHEMATICS AND CONNECTION DIAGRAMS

### SCD 51



NEUTRAL	WIRE COMBINATIONS	1 x 14 - 4 CU	1 x 12 - 4 AL
NEUTRE	COMBINAISONS DE FILS	2 x 14 - 10 CU	2 x 12 - 10 AL
NEUTRAL	COMBINACIONES DEL CABLE	3 x 14 - 10 CU	3 x 12 - 10 AL
NEUTRAL	TIGHTENING TORQUE	14 - 10 CU / AL	20 INCH-LBS
	COUPLE DE SERRAGE	8 CU / AL	25 LIVRES-POUCES
	TORQUE DE APRIETE	6 - 4 CU / AL	35 PULGADAS - LIBRAS

- 1 - Main Breaker
- 2 - Transformer
- 3 - Panel Board
- 4 - Panel Board Feed Breaker
- 5 - Neutral
- 6 - Bond When Required
- 7 - Ground When Required

- The maximum continuous load current not to exceed 100% of the transformer nominal current.
- The maximum continuous load current for the branch circuits not to exceed 80% of the ratings of the circuit breakers employed in other than motor circuits.
- Maximum short-circuit capacity 10,000 ampls

GENERAL INFORMATION



# GENERAL INFORMATION

## ELECTRICAL SCHEMATICS AND CONNECTION DIAGRAMS

### SCD 52

SCHEMATIC	CONNECTIONS		
	Primary Volts	Connect lines to	Inter-connect
	504	H1, H2, H3	1-H1, 1-H2, 1-H3
	492	H1, H2, H3	2-H1, 2-H2, 2-H3
	480	H1, H2, H3	3-H1, 3-H2, 3-H3
	468	H1, H2, H3	4-H1, 4-H2, 4-H3
	456	H1, H2, H3	5-H1, 5-H2, 5-H3
	444	H1, H2, H3	6-H1, 6-H2, 6-H3
	432	H1, H2, H3	7-H1, 7-H2, 7-H3
	Secondary Volts	Connect lines to	Inter-connect
	430	X1, X2, X3	A-X1, A-X2, A-X3
	416	X1, X2, X3	B-X1, B-X2, B-X3
	400	X1, X2, X3	C-X1, C-X2, C-X3
	380	X1, X2, X3	D-X1, D-X2, D-X3
	248	X1-X0/X2-X0/X3-X0	A-X1, A-X2, A-X3
	240	X1-X0/X2-X0/X3-X0	B-X1, B-X2, B-X3
	231	X1-X0/X2-X0/X3-X0	C-X1, C-X2, C-X3
	219	X1-X0/X2-X0/X3-X0	D-X1, D-X2, D-X3

GENERAL INFORMATION



# GENERAL INFORMATION

## ALPHA NUMERIC PART NUMBER INDEX

Catalog Part No.	Catalog Page No.	Catalog Part No.	Catalog Page No.	Catalog Part No.	Catalog Page No.
2909B.2.....	154	3009B2.5.....	155	C1F005HRS.....	232
2909B.4.....	154	3009B3.....	155	C1F005JES.....	233
2909B.5.....	154	3009B4.....	155	C1F005LES.....	232
2909B.75.....	154	3009B5.....	155	C1F005PES.....	233
2909B1.....	154	3009B6.....	155	C1F005WES.....	231
2909B1.5.....	154	3009B8.....	155	C1F005XES.....	233
2909B10.....	154	3009C.3.....	155	C1F007CES.....	232
2909B12.....	154	3009C.5.....	155	C1F007EES.....	231
2909B16.....	154	3009C.75.....	155	C1F007GES.....	231
2909B2.....	154	3009C1.....	155	C1F007HRS.....	232
2909B2.5.....	154	3009C1.5.....	155	C1F007JES.....	233
2909B3.....	154	3009C10.....	155	C1F007LES.....	232
2909B4.....	154	3009C12.....	155	C1F007PES.....	233
2909B5.....	154	3009C16.....	155	C1F007WES.....	231
2909B6.....	154	3009C2.....	155	C1F007XES.....	233
2909B8.....	154	3009C2.5.....	155	C1F010CES.....	232
2909C.2.....	154	3009C3.....	155	C1F010EES.....	231
2909C.4.....	154	3009C4.....	155	C1F010GES.....	231
2909C.5.....	154	3009C5.....	155	C1F010HRS.....	232
2909C.75.....	154	3009C6.....	155	C1F010JES.....	233
2909C1.....	154	3009C8.....	155	C1F010LES.....	232
2909C1.5.....	154	3009D.3.....	155	C1F010PES.....	233
2909C10.....	154	3009D.5.....	155	C1F010WES.....	231
2909C12.....	154	3009D.75.....	155	C1F010XES.....	233
2909C16.....	154	3009D1.....	155	C1F015LES.....	232
2909C2.....	154	3009D1.5.....	155	C1F015PES.....	233
2909C2.5.....	154	3009D10.....	155	C1F025LES.....	232
2909C3.....	154	3009D12.....	155	C1F025PES.....	233
2909C4.....	154	3009D16.....	155	C1F037LES.....	232
2909C5.....	154	3009D2.....	155	C1F037PES.....	233
2909C6.....	154	3009D2.5.....	155	C1F1C0CES.....	232
2909C8.....	154	3009D3.....	155	C1F1C0EES.....	231
2909D.2.....	154	3009D4.....	155	C1F1C0GES.....	231
2909D.4.....	154	3009D5.....	155	C1F1C0HRS.....	232
2909D.5.....	154	3009D6.....	155	C1F1C0JES.....	233
2909D.75.....	154	3009D8.....	155	C1F1C0LES.....	232
2909D1.....	154	C1F002CES.....	232	C1F1C0PES.....	233
2909D1.5.....	154	C1F002EES.....	231	C1F1C0WES.....	231
2909D10.....	154	C1F002GES.....	231	C1F1C0XES.....	233
2909D12.....	154	C1F002HRS.....	232	C1F1C5CES.....	232
2909D16.....	154	C1F002JES.....	233	C1F1C5EES.....	231
2909D2.....	154	C1F002LES.....	232	C1F1C5GES.....	231
2909D2.5.....	154	C1F002PES.....	233	C1F1C5HRS.....	232
2909D3.....	154	C1F002WES.....	231	C1F1C5JES.....	233
2909D4.....	154	C1F002XES.....	233	C1F1C5LES.....	232
2909D5.....	154	C1F003CES.....	232	C1F1C5PES.....	233
2909D6.....	154	C1F003EES.....	231	C1F1C5WES.....	231
2909D8.....	154	C1F003GES.....	231	C1F1C5XES.....	233
3009B.3.....	155	C1F003HRS.....	232	C1FC05CE.....	232
3009B.5.....	155	C1F003JES.....	233	C1FC05EE.....	231
3009B.75.....	155	C1F003LES.....	232	C1FC05GE.....	231
3009B1.....	155	C1F003PES.....	233	C1FC05HR.....	232
3009B1.5.....	155	C1F003WES.....	231	C1FC05JE.....	233
3009B10.....	155	C1F003XES.....	233	C1FC05LE.....	232
3009B12.....	155	C1F005CES.....	232	C1FC05PE.....	233
3009B16.....	155	C1F005EES.....	231	C1FC05WE.....	231
3009B2.....	155	C1F005GES.....	231	C1FC05XE.....	233



# GENERAL INFORMATION

## ALPHA NUMERIC PART NUMBER INDEX

Catalog Part No.	Catalog Page No.	Catalog Part No.	Catalog Page No.	Catalog Part No.	Catalog Page No.
C1FC10CE	232	C3F002DKS	235	C3F075KBS	236
C1FC10EE	231	C3F002KBS	236	C3F075KDS	236
C1FC10GE	231	C3F002KDS	236	C3F075PBS	236
C1FC10HR	232	C3F002PBS	236	C3F075PDS	236
C1FC10JE	233	C3F002PDS	236	CH1	269
C1FC10LE	232	C3F003BBS	235	CH2	269
C1FC10PE	233	C3F003BKS	235	CH3	269
C1FC10WE	231	C3F003DBS	235	CH4	269
C1FC10XE	233	C3F003DKS	235	CH5	269
C1FC15CE	232	C3F003KBS	236	CH6	269
C1FC15EE	231	C3F003KDS	236	CH7	269
C1FC15GE	231	C3F003PBS	236	CH8	269
C1FC15HR	232	C3F003PDS	236	CRX0001AC	104
C1FC15JE	233	C3F006BBS	235	CRX0001AE	108
C1FC15LE	232	C3F006BKS	235	CRX0001BC	104
C1FC15PE	233	C3F006DBS	235	CRX0001BE	108
C1FC15WE	231	C3F006DKS	235	CRX0002CC	104
C1FC15XE	233	C3F006KBS	236	CRX0002CE	108
C1FC25CE	232	C3F006KDS	236	CRX0003AC	104
C1FC25EE	231	C3F006PBS	236	CRX0003AE	108
C1FC25GE	231	C3F006PDS	236	CRX0003BC	104
C1FC25HR	232	C3F009BBS	235	CRX0003BE	108
C1FC25JE	233	C3F009BKS	235	CRX0004CC	104
C1FC25LE	232	C3F009DBS	235	CRX0004CE	108
C1FC25PE	233	C3F009DKS	235	CRX0008CC	105
C1FC25WE	231	C3F009KBS	236	CRX0008CE	109
C1FC25XE	233	C3F009KDS	236	CRX0009AC	105
C1FC35CE	232	C3F009PBS	236	CRX0009AE	109
C1FC35EE	231	C3F009PDS	236	CRX0009BC	105
C1FC35GE	231	C3F015BBS	235	CRX0009BE	109
C1FC35HR	232	C3F015BKS	235	CRX0011AC	105
C1FC35JE	233	C3F015DBS	235	CRX0011AE	109
C1FC35LE	232	C3F015DKS	235	CRX0011BC	105
C1FC35PE	233	C3F015KBS	236	CRX0011BE	109
C1FC35WE	231	C3F015KDS	236	CRX0011CC	105
C1FC35XE	233	C3F015PBS	236	CRX0011CE	109
C1FC50CE	232	C3F015PDS	236	CRX0011DC	105
C1FC50EE	231	C3F030BBS	235	CRX0011DE	109
C1FC50GE	231	C3F030BKS	235	CRX0012CC	105
C1FC50HR	232	C3F030DBS	235	CRX0012CE	109
C1FC50JE	233	C3F030DKS	235	CRX0014AC	105
C1FC50LE	232	C3F030KBS	236	CRX0014AE	109
C1FC50PE	233	C3F030KDS	236	CRX0014BC	105
C1FC50WE	231	C3F030PBS	236	CRX0014BE	109
C1FC50XE	233	C3F030PDS	236	CRX0017AC	105
C1FC75CES	232	C3F045BBS	235	CRX0017AE	109
C1FC75EES	231	C3F045BKS	235	CRX0017BC	105
C1FC75GES	231	C3F045DBS	235	CRX0017BE	109
C1FC75HRS	232	C3F045DKS	235	CRX0021AC	105
C1FC75JES	233	C3F045KBS	236	CRX0021AE	109
C1FC75LES	232	C3F045KDS	236	CRX0021BC	105
C1FC75PES	233	C3F045PBS	236	CRX0021BE	109
C1FC75WES	231	C3F045PDS	236	CRX0022AC	105
C1FC75XES	233	C3F075BBS	235	CRX0022AE	109
C3F002BBS	235	C3F075BKS	235	CRX0022BC	105
C3F002BKS	235	C3F075DBS	235	CRX0022BE	109
C3F002DBS	235	C3F075DKS	235	CRX0024AC	105

GENERAL  
INFORMATION



# GENERAL INFORMATION

## ALPHA NUMERIC PART NUMBER INDEX

Catalog Part No.	Catalog Page No.	Catalog Part No.	Catalog Page No.	Catalog Part No.	Catalog Page No.
CRX0024AE	109	CRX0052DC	106	CRX0114DE	110
CRX0024BC	105	CRX0052DE	110	CRX0124AC	106
CRX0024BE	109	CRX0059AC	106	CRX0124AE	110
CRX0024CC	105	CRX0059AE	110	CRX0124BC	106
CRX0024CE	109	CRX0059BE	106	CRX0124BE	110
CRX0024DC	105	CRX0059CE	110	CRX0125AC	106
CRX0024DE	109	CRX0059CC	106	CRX0125AE	110
CRX0027AC	105	CRX0059CE	110	CRX0125BC	106
CRX0027AE	109	CRX0059DC	106	CRX0125BE	110
CRX0027BC	105	CRX0059DE	110	CRX0143AC	106
CRX0027BE	109	CRX0062AC	106	CRX0143AE	110
CRX0027CC	105	CRX0062AE	110	CRX0143BC	106
CRX0027CE	109	CRX0062BC	106	CRX0143BE	110
CRX0027DC	105	CRX0062BE	110	CRX0143CC	106
CRX0027DE	109	CRX0065AC	106	CRX0143CE	110
CRX0031AC	105	CRX0065AE	110	CRX0143DC	106
CRX0031AE	109	CRX0065BC	106	CRX0143DE	110
CRX0031BC	105	CRX0065BE	110	CRX0144AC	106
CRX0031BE	109	CRX0075AC	106	CRX0144AE	110
CRX0031CC	105	CRX0075AE	110	CRX0144BC	106
CRX0031CE	109	CRX0075BC	106	CRX0144BE	110
CRX0031DC	105	CRX0075BE	110	CRX0156AC	106
CRX0031DE	109	CRX0075CC	106	CRX0156AE	110
CRX0032AC	105	CRX0075CE	110	CRX0156BC	106
CRX0032AE	109	CRX0075DC	106	CRX0156BE	110
CRX0032BC	105	CRX0075DE	110	CRX0170AC	106
CRX0032BE	109	CRX0077AC	106	CRX0170AE	110
CRX0034AC	105	CRX0077AE	110	CRX0170BC	106
CRX0034AE	109	CRX0077BC	106	CRX0170BE	110
CRX0034BC	105	CRX0077BE	110	CRX0170CC	106
CRX0034BE	109	CRX0077CC	106	CRX0170CE	110
CRX0035CC	105	CRX0077CE	110	CRX0170DC	106
CRX0035CE	109	CRX0077DC	106	CRX0170DE	110
CRX0040AC	105	CRX0077DE	110	CRX0180AC	106
CRX0040AE	109	CRX0088AC	106	CRX0180AE	110
CRX0040BC	105	CRX0088AE	110	CRX0180BC	106
CRX0040BE	109	CRX0088BC	106	CRX0180BE	110
CRX0041AC	105	CRX0088BE	110	CRX0192AC	106
CRX0041AE	109	CRX0088CC	106	CRX0192AE	110
CRX0041BC	105	CRX0088CE	110	CRX0192BC	106
CRX0041BE	109	CRX0088DC	106	CRX0192BE	110
CRX0045CC	105	CRX0088DE	110	CRX01D1AC	104
CRX0045CE	109	CRX0096AC	106	CRX01D1AE	108
CRX0046AC	105	CRX0096AE	110	CRX01D1BC	104
CRX0046AE	109	CRX0096BC	106	CRX01D1BE	108
CRX0046BC	105	CRX0096BE	110	CRX01D4AC	104
CRX0046BE	109	CRX0099AC	106	CRX01D4AE	108
CRX0046CC	105	CRX0099AE	110	CRX01D4BC	104
CRX0046CE	109	CRX0099BC	106	CRX01D4BE	108
CRX0046DC	105	CRX0099BE	110	CRX01D6AC	104
CRX0046DE	109	CRX0114AC	106	CRX01D6AE	108
CRX0052AC	106	CRX0114AE	110	CRX01D6BC	104
CRX0052AE	110	CRX0114BC	106	CRX01D6BE	108
CRX0052BC	106	CRX0114BE	110	CRX01D8AC	104
CRX0052BE	110	CRX0114CC	106	CRX01D8AE	108
CRX0052CC	106	CRX0114CE	110	CRX01D8BC	104
CRX0052CE	110	CRX0114DC	106	CRX01D8BE	108





# GENERAL INFORMATION

## ALPHA NUMERIC PART NUMBER INDEX

Catalog Part No.	Catalog Page No.	Catalog Part No.	Catalog Page No.	Catalog Part No.	Catalog Page No.
CRX0200CC	107	CRX0336BE	111	CRX04D6AC	104
CRX0200CE	111	CRX0343AC	107	CRX04D6AE	108
CRX0211AC	107	CRX0343AE	111	CRX04D6BC	104
CRX0211AE	111	CRX0343BC	107	CRX04D6BE	108
CRX0211BC	107	CRX0343BE	111	CRX04D6CC	104
CRX0211BE	111	CRX0343CC	107	CRX04D6CE	108
CRX0211CC	107	CRX0343CE	111	CRX04D6DC	104
CRX0211CE	111	CRX0343DC	107	CRX04D6DE	108
CRX0211DC	107	CRX0343DE	111	CRX04D8AC	104
CRX0211DE	111	CRX0361AC	107	CRX04D8AE	108
CRX0240AC	107	CRX0361AE	111	CRX04D8BC	104
CRX0240AE	111	CRX0361BC	107	CRX04D8BE	108
CRX0240BC	107	CRX0361BE	111	CRX0515AC	107
CRX0240BE	111	CRX0382AC	107	CRX0515AE	111
CRX0242AC	107	CRX0382AE	111	CRX0515BC	107
CRX0242AE	111	CRX0382BC	107	CRX0515BE	111
CRX0242BC	107	CRX0382BE	111	CRX0528AC	107
CRX0242BE	111	CRX0396AC	107	CRX0528AE	111
CRX0273AC	107	CRX0396AE	111	CRX0528BC	107
CRX0273AE	111	CRX0396BC	107	CRX0528BE	111
CRX0273BC	107	CRX0396BE	111	CRX0528CC	107
CRX0273BE	111	CRX0396CC	107	CRX0528CE	111
CRX0273CC	107	CRX0396CE	111	CRX0528DC	107
CRX0273CE	111	CRX0396DC	107	CRX0528DE	111
CRX0273DC	107	CRX0396DE	111	CRX0590AC	107
CRX0273DE	111	CRX03D4AC	104	CRX0590AE	111
CRX0289AC	107	CRX03D4AE	108	CRX0590BC	107
CRX0289AE	111	CRX03D4BC	104	CRX0590BE	111
CRX0289BC	107	CRX03D4BE	108	CRX06D1AC	104
CRX0289BE	111	CRX03D5AC	104	CRX06D1AE	108
CRX02D1AC	104	CRX03D5AE	108	CRX06D1BC	104
CRX02D1AE	108	CRX03D5BC	104	CRX06D1BE	108
CRX02D1BC	104	CRX03D5BE	108	CRX06D6AC	104
CRX02D1BE	108	CRX03D5CC	104	CRX06D6AE	108
CRX02D4AC	104	CRX03D5CE	108	CRX06D6BC	104
CRX02D4AE	108	CRX03D5DC	104	CRX06D6BE	108
CRX02D4BC	104	CRX03D5DE	108	CRX06D6CC	104
CRX02D4BE	108	CRX03D9AC	104	CRX06D6CE	108
CRX02D4CC	104	CRX03D9AE	108	CRX06D6DC	104
CRX02D4CE	108	CRX03D9BC	104	CRX06D6DE	108
CRX02D4DC	104	CRX03D9BE	108	CRX0720AC	107
CRX02D4DE	108	CRX0412AC	107	CRX0720AE	111
CRX02D6AC	104	CRX0412AE	111	CRX07D5AC	104
CRX02D6AE	108	CRX0412BC	107	CRX07D5AE	108
CRX02D6BC	104	CRX0412BE	111	CRX07D5BC	104
CRX02D6BE	108	CRX0414AC	107	CRX07D5BE	108
CRX02D7AC	104	CRX0414AE	111	CRX07D5CC	104
CRX02D7AE	108	CRX0414BC	107	CRX07D5CE	108
CRX02D7BC	104	CRX0414BE	111	CRX07D5DC	104
CRX02D7BE	108	CRX0472AC	107	CRX07D5DE	108
CRX0302AC	107	CRX0472AE	111	CRX07D6AC	104
CRX0302AE	111	CRX0472BC	107	CRX07D6AE	108
CRX0302BC	107	CRX0472BE	111	CRX07D6BC	104
CRX0302BE	111	CRX0477AC	107	CRX07D6BE	108
CRX0336AC	107	CRX0477AE	111	CRX0840AC	107
CRX0336AE	111	CRX0477BC	107	CRX0840AE	111
CRX0336BC	107	CRX0477BE	111	CRX0960AC	107

GENERAL  
INFORMATION



# GENERAL INFORMATION

## ALPHA NUMERIC PART NUMBER INDEX

Catalog Part No.	Catalog Page No.	Catalog Part No.	Catalog Page No.	Catalog Part No.	Catalog Page No.
CRX0960AE	111	DE014BK	141	DE034CCC	146
CRX1080AC	107	DE014BKCN	145	DE034JC	142
CRX1080AE	111	DE014CC	141	DE034JCC	146
CRX10D7AC	105	DE014CCCN	146	DE034JH	142
CRX10D7AE	109	DE014JC	142	DE034JHC	147
CRX10D7BC	105	DE014JCCN	146	DE034JJ	143
CRX10D7BE	109	DE014JH	142	DE034JJC	147
CRX10D7CC	105	DE014JHCN	147	DE034KD	143
CRX10D7CE	109	DE014JJ	143	DE034KDCN	148
CRX10D7DC	105	DE014JJC	147	DE034KK	144
CRX10D7DE	109	DE014KD	143	DE034KKCN	148
CRX1200AC	107	DE014KDCN	148	DE034NJ	144
CRX1200AE	111	DE014KK	144	DE034NJCN	149
CRX16D7AC	105	DE014KKCN	148	DE034NN	145
CRX16D7AE	109	DE014NJ	144	DE034NNCN	149
CRX16D7BC	105	DE014NJCN	149	DE040BK	141
CRX16D7BE	109	DE014NN	145	DE040BKC	145
CRX16D7CC	105	DE014NNCN	149	DE040CC	141
CRX16D7CE	109	DE020BK	141	DE040CCC	146
CRX16D7DC	105	DE020BKC	145	DE040JC	142
CRX16D7DE	109	DE020CC	141	DE040JCC	146
DE007BK	141	DE020CCC	146	DE040JH	142
DE007BKCN	145	DE020JC	142	DE040JHC	147
DE007CC	141	DE020JCCN	146	DE040JJ	143
DE007CCCN	146	DE020JH	142	DE040JJC	147
DE007JC	142	DE020JHCN	147	DE040KD	143
DE007JCCN	146	DE020JJ	143	DE040KDC	148
DE007JH	142	DE020JJCN	147	DE040KK	144
DE007JHCN	147	DE020KD	143	DE040KKC	148
DE007JJ	143	DE020KDCN	148	DE040NJ	144
DE007JJC	147	DE020KK	144	DE040NJCN	149
DE007KD	143	DE020KKCN	148	DE040NN	145
DE007KDCN	148	DE020NJ	144	DE040NNCN	149
DE007KK	144	DE020NJCN	149	DE051BK	141
DE007KKCN	148	DE020NN	145	DE051BKC	145
DE007NJ	144	DE020NNCN	149	DE051CC	141
DE007NJCN	149	DE027BK	141	DE051CCC	146
DE007NN	145	DE027BKC	145	DE051JC	142
DE007NNCN	149	DE027CC	141	DE051JCC	146
DE011BK	141	DE027CCC	146	DE051JH	142
DE011BKCN	145	DE027JC	142	DE051JHC	147
DE011CC	141	DE027JCCN	146	DE051JJ	143
DE011CCCN	146	DE027JH	142	DE051JJC	147
DE011JC	142	DE027JHCN	147	DE051KD	143
DE011JCCN	146	DE027JJ	143	DE051KDC	148
DE011JH	142	DE027JJC	147	DE051KK	144
DE011JHCN	147	DE027KD	143	DE051KKC	148
DE011JJ	143	DE027KDCN	148	DE051NJ	144
DE011JJC	147	DE027KK	144	DE051NJC	149
DE011KD	143	DE027KKCN	148	DE051NN	145
DE011KDCN	148	DE027NJ	144	DE051NNC	149
DE011KK	144	DE027NJCN	149	DE063BK	141
DE011KKCN	148	DE027NN	145	DE063BKC	145
DE011NJ	144	DE027NNCN	149	DE063CC	141
DE011NJCN	149	DE034BK	141	DE063CCC	146
DE011NN	145	DE034BKC	145	DE063JC	142
DE011NNCN	149	DE034CC	141	DE063JCC	146

GENERAL  
INFORMATION



# GENERAL INFORMATION

## ALPHA NUMERIC PART NUMBER INDEX

Catalog Part No.	Catalog Page No.	Catalog Part No.	Catalog Page No.	Catalog Part No.	Catalog Page No.
DE063JH.....	142	DE118JJC.....	147	DE220KK.....	144
DE063JHC.....	147	DE118KD.....	143	DE220KKC.....	148
DE063JJ.....	143	DE118KDC.....	148	DE220NJ.....	144
DE063JJC.....	147	DE118KK.....	144	DE220NJC.....	149
DE063KD.....	143	DE118KKC.....	148	DE220NN.....	145
DE063KDC.....	148	DE118NJ.....	144	DE220NNC.....	149
DE063KK.....	144	DE118NJC.....	149	DE275BK.....	141
DE063KKC.....	148	DE118NN.....	145	DE275BKC.....	145
DE063NJ.....	144	DE118NNC.....	149	DE275CC.....	141
DE063NJC.....	149	DE145BK.....	141	DE275CCC.....	146
DE063NN.....	145	DE145BKC.....	145	DE275JC.....	142
DE063NNC.....	149	DE145CC.....	141	DE275JCC.....	146
DE075BK.....	141	DE145CCC.....	146	DE275JH.....	142
DE075BKC.....	145	DE145JC.....	142	DE275JHC.....	147
DE075CC.....	141	DE145JCC.....	146	DE275JJ.....	143
DE075CCC.....	146	DE145JH.....	142	DE275JJC.....	147
DE075JC.....	142	DE145JHC.....	147	DE275KD.....	143
DE075JCC.....	146	DE145JJ.....	143	DE275KDC.....	148
DE075JH.....	142	DE145JJC.....	147	DE275KK.....	144
DE075JHC.....	147	DE145KD.....	143	DE275KKC.....	148
DE075JJ.....	143	DE145KDC.....	148	DE275NJ.....	144
DE075JJC.....	147	DE145KK.....	144	DE275NJC.....	149
DE075KD.....	143	DE145KKC.....	148	DE275NN.....	145
DE075KDC.....	148	DE145NJ.....	144	DE275NNC.....	149
DE075KK.....	144	DE145NJC.....	149	DE330BK.....	141
DE075KKC.....	148	DE145NN.....	145	DE330BKC.....	145
DE075NJ.....	144	DE145NNC.....	149	DE330CC.....	141
DE075NJC.....	149	DE175BK.....	141	DE330CCC.....	146
DE075NN.....	145	DE175BKC.....	145	DE330JC.....	142
DE075NNC.....	149	DE175CC.....	141	DE330JCC.....	146
DE093BK.....	141	DE175CCC.....	146	DE330JH.....	142
DE093BKC.....	145	DE175JC.....	142	DE330JHC.....	147
DE093CC.....	141	DE175JCC.....	146	DE330JJ.....	143
DE093CCC.....	146	DE175JH.....	142	DE330JJC.....	147
DE093JC.....	142	DE175JHC.....	147	DE330KD.....	143
DE093JCC.....	146	DE175JJ.....	143	DE330KDC.....	148
DE093JH.....	142	DE175JJC.....	147	DE330KK.....	144
DE093JHC.....	147	DE175KD.....	143	DE330KKC.....	148
DE093JJ.....	143	DE175KDC.....	148	DE330NJ.....	144
DE093JJC.....	147	DE175KK.....	144	DE330NJC.....	149
DE093KD.....	143	DE175KKC.....	148	DE330NN.....	145
DE093KDC.....	148	DE175NJ.....	144	DE330NNC.....	149
DE093KK.....	144	DE175NJC.....	149	DE440BK.....	141
DE093KKC.....	148	DE175NN.....	145	DE440BKC.....	145
DE093NJ.....	144	DE175NNC.....	149	DE440CC.....	141
DE093NJC.....	149	DE220BK.....	141	DE440CCC.....	146
DE093NN.....	145	DE220BKC.....	145	DE440JC.....	142
DE093NNC.....	149	DE220CC.....	141	DE440JCC.....	146
DE118BK.....	141	DE220CCC.....	146	DE440JH.....	142
DE118BKC.....	145	DE220JC.....	142	DE440JHC.....	147
DE118CC.....	141	DE220JCC.....	146	DE440JJ.....	143
DE118CCC.....	146	DE220JH.....	142	DE440JJC.....	147
DE118JC.....	142	DE220JHC.....	147	DE440KD.....	143
DE118JCC.....	146	DE220JJ.....	143	DE440KDC.....	148
DE118JH.....	142	DE220JJC.....	147	DE440KK.....	144
DE118JHC.....	147	DE220KD.....	143	DE440KKC.....	148
DE118JJ.....	143	DE220KDC.....	148	DE440NJ.....	144

GENERAL  
INFORMATION



# GENERAL INFORMATION

## ALPHA NUMERIC PART NUMBER INDEX

Catalog Part No.	Catalog Page No.	Catalog Part No.	Catalog Page No.	Catalog Part No.	Catalog Page No.
DE440NJC.....	149	DM011BK.....	130	DM027CCC.....	135
DE440NN.....	145	DM011BKCN.....	134	DM027JC.....	131
DE440NNC.....	149	DM011CC.....	130	DM027JCCN.....	135
DE550BK.....	141	DM011CCCN.....	135	DM027JH.....	131
DE550BKC.....	145	DM011JC.....	131	DM027JHCN.....	136
DE550CC.....	141	DM011JCCN.....	135	DM027JJ.....	132
DE550CCC.....	146	DM011JH.....	131	DM027JJCN.....	136
DE550JC.....	142	DM011JHCN.....	136	DM027KD.....	132
DE550JCC.....	146	DM011JJ.....	132	DM027KDCN.....	137
DE550JH.....	142	DM011JCCN.....	136	DM027KK.....	133
DE550JHC.....	147	DM011KD.....	132	DM027KKCN.....	137
DE550JJ.....	143	DM011KDCN.....	137	DM027NJ.....	133
DE550JJC.....	147	DM011KK.....	133	DM027NJCN.....	138
DE550KD.....	143	DM011KKCN.....	137	DM027NN.....	134
DE550KDC.....	148	DM011NJ.....	133	DM027NNCN.....	138
DE550KK.....	144	DM011NJCN.....	138	DM034BK.....	130
DE550KKC.....	148	DM011NN.....	134	DM034BKC.....	134
DE550NJ.....	144	DM011NNCN.....	138	DM034CC.....	130
DE550NJC.....	149	DM014BK.....	130	DM034CCC.....	135
DE550NN.....	145	DM014BKCN.....	134	DM034JC.....	131
DE550NNC.....	149	DM014CC.....	130	DM034JCC.....	135
DE660BK.....	141	DM014CCCN.....	135	DM034JH.....	131
DE660BKC.....	145	DM014JC.....	131	DM034JHC.....	136
DE660CC.....	141	DM014JCCN.....	135	DM034JJ.....	132
DE660CCC.....	146	DM014JH.....	131	DM034JJC.....	136
DE660JC.....	142	DM014JHCN.....	136	DM034KD.....	132
DE660JCC.....	146	DM014JJ.....	132	DM034KDCN.....	137
DE660JH.....	142	DM014JCCN.....	136	DM034KK.....	133
DE660JHC.....	147	DM014KD.....	132	DM034KKCN.....	137
DE660JJ.....	143	DM014KDCN.....	137	DM034NJ.....	133
DE660JJC.....	147	DM014KK.....	133	DM034NJCN.....	138
DE660KD.....	143	DM014KKCN.....	137	DM034NN.....	134
DE660KDC.....	148	DM014NJ.....	133	DM034NNCN.....	138
DE660KK.....	144	DM014NJCN.....	138	DM040BK.....	130
DE660KKC.....	148	DM014NN.....	134	DM040BKC.....	134
DE660NJ.....	144	DM014NNCN.....	138	DM040CC.....	130
DE660NJC.....	149	DM020BK.....	130	DM040CCC.....	135
DE660NN.....	145	DM020BKC.....	134	DM040JC.....	131
DE660NNC.....	149	DM020CC.....	130	DM040JCC.....	135
DM007BK.....	130	DM020CCC.....	135	DM040JH.....	131
DM007BKCN.....	134	DM020JC.....	131	DM040JHC.....	136
DM007CC.....	130	DM020JCCN.....	135	DM040JJ.....	132
DM007CCCN.....	135	DM020JH.....	131	DM040JJC.....	136
DM007JC.....	131	DM020JHCN.....	136	DM040KD.....	132
DM007JCCN.....	135	DM020JJ.....	132	DM040KDC.....	137
DM007JH.....	131	DM020JCCN.....	136	DM040KK.....	133
DM007JHCN.....	136	DM020KD.....	132	DM040KKC.....	137
DM007JJ.....	132	DM020KDCN.....	137	DM040NJ.....	133
DM007JJC.....	136	DM020KK.....	133	DM040NJCN.....	138
DM007KD.....	132	DM020KKCN.....	137	DM040NN.....	134
DM007KDCN.....	137	DM020NJ.....	133	DM040NNCN.....	138
DM007KK.....	133	DM020NJCN.....	138	DM051BK.....	130
DM007KKCN.....	137	DM020NN.....	134	DM051BKC.....	134
DM007NJ.....	133	DM020NNCN.....	138	DM051CC.....	130
DM007NJCN.....	138	DM027BK.....	130	DM051CCC.....	135
DM007NN.....	134	DM027BKC.....	134	DM051JC.....	131
DM007NNCN.....	138	DM027CC.....	130	DM051JCC.....	135



# GENERAL INFORMATION

## ALPHA NUMERIC PART NUMBER INDEX

Catalog Part No.	Catalog Page No.	Catalog Part No.	Catalog Page No.	Catalog Part No.	Catalog Page No.
DM051JH	131	DM093JJC	136	DM175KK	133
DM051JHC	136	DM093KD	132	DM175KKC	137
DM051JJ	132	DM093KDC	137	DM175NJ	133
DM051JJC	136	DM093KK	133	DM175NJC	138
DM051KD	132	DM093KKC	137	DM175NN	134
DM051KDC	137	DM093NJ	133	DM175NNC	138
DM051KK	133	DM093NJC	138	DM220BK	130
DM051KKC	137	DM093NN	134	DM220BKC	134
DM051NJ	133	DM093NNC	138	DM220CC	130
DM051NJC	138	DM118BK	130	DM220CCC	135
DM051NN	134	DM118BKC	134	DM220JC	131
DM051NNC	138	DM118CC	130	DM220JCC	135
DM063BK	130	DM118CCC	135	DM220JH	131
DM063BKC	134	DM118JC	131	DM220JHC	136
DM063CC	130	DM118JCC	135	DM220JJ	132
DM063CCC	135	DM118JH	131	DM220JJC	136
DM063JC	131	DM118JHC	136	DM220KD	132
DM063JCC	135	DM118JJ	132	DM220KDC	137
DM063JH	131	DM118JJC	136	DM220KK	133
DM063JHC	136	DM118KD	132	DM220KKC	137
DM063JJ	132	DM118KDC	137	DM220NJ	133
DM063JJC	136	DM118KK	133	DM220NJC	138
DM063KD	132	DM118KKC	137	DM220NN	134
DM063KDC	137	DM118NJ	133	DM220NNC	138
DM063KK	133	DM118NJC	138	DM275BK	130
DM063KKC	137	DM118NN	134	DM275BKC	134
DM063NJ	133	DM118NNC	138	DM275CC	130
DM063NJC	138	DM145BK	130	DM275CCC	135
DM063NN	134	DM145BKC	134	DM275JC	131
DM063NNC	138	DM145CC	130	DM275JCC	135
DM075BK	130	DM145CCC	135	DM275JH	131
DM075BKC	134	DM145JC	131	DM275JHC	136
DM075CC	130	DM145JCC	135	DM275JJ	132
DM075CCC	135	DM145JH	131	DM275JJC	136
DM075JC	131	DM145JHC	136	DM275KD	132
DM075JCC	135	DM145JJ	132	DM275KDC	137
DM075JH	131	DM145JJC	136	DM275KK	133
DM075JHC	136	DM145KD	132	DM275KKC	137
DM075JJ	132	DM145KDC	137	DM275NJ	133
DM075JJC	136	DM145KK	133	DM275NJC	138
DM075KD	132	DM145KKC	137	DM275NN	134
DM075KDC	137	DM145NJ	133	DM275NNC	138
DM075KK	133	DM145NJC	138	DM330BK	130
DM075KKC	137	DM145NN	134	DM330BKC	134
DM075NJ	133	DM145NNC	138	DM330CC	130
DM075NJC	138	DM175BK	130	DM330CCC	135
DM075NN	134	DM175BKC	134	DM330JC	131
DM075NNC	138	DM175CC	130	DM330JCC	135
DM093BK	130	DM175CCC	135	DM330JH	131
DM093BKC	134	DM175JC	131	DM330JHC	136
DM093CC	130	DM175JCC	135	DM330JJ	132
DM093CCC	135	DM175JH	131	DM330JJC	136
DM093JC	131	DM175JHC	136	DM330KD	132
DM093JCC	135	DM175JJ	132	DM330KDC	137
DM093JH	131	DM175JJC	136	DM330KK	133
DM093JHC	136	DM175KD	132	DM330KKC	137
DM093JJ	132	DM175KDC	137	DM330NJ	133

GENERAL  
INFORMATION



# GENERAL INFORMATION

## ALPHA NUMERIC PART NUMBER INDEX

Catalog Part No.	Catalog Page No.	Catalog Part No.	Catalog Page No.	Catalog Part No.	Catalog Page No.
DM330NJC.....	138	FG1 .....	43	FS350PR .....	57
DM330NN .....	134	FG2 .....	43	FS350QR.....	55
DM330NNC .....	138	FG3 .....	43	FS350SP.....	58
DM440BK .....	130	FG4 .....	43	FS350SR.....	58
DM440BKC.....	134	FG5 .....	43	FS5000ACP.....	54
DM440CC .....	130	FGF1 .....	43	FS5000MQMJ.....	55
DM440CCC.....	135	FGF2 .....	43	FS500ACP .....	54
DM440JC.....	131	FS1000ACP.....	54	FS500AR.....	54
DM440JCC.....	135	FS1000KHP.....	56	FS500KHP.....	56
DM440JH .....	131	FS1000MQMJ.....	55	FS500KHR.....	56
DM440JHC .....	136	FS1000NJ .....	57	FS500MQMJ .....	55
DM440JJ.....	132	FS1000SP.....	58	FS500NJ.....	57
DM440JJC.....	136	FS100ACP .....	54	FS500PR .....	57
DM440KD .....	132	FS100AR.....	54	FS500QR.....	55
DM440KDC .....	137	FS100KHP .....	56	FS500SP.....	58
DM440KK.....	133	FS100KHR .....	56	FS500SR.....	58
DM440KCC.....	137	FS100MQMJ .....	55	FS50ACP.....	54
DM440NJ .....	133	FS100NJ .....	57	FS50AR.....	54
DM440NJC .....	138	FS100PR .....	57	FS50KHP.....	56
DM440NN .....	134	FS100QR.....	55	FS50KHR.....	56
DM440NNC .....	138	FS100SP.....	58	FS50MQMJ.....	55
DM550BK .....	130	FS100SR.....	58	FS50NJ .....	57
DM550BKC.....	134	FS1500ACP.....	54	FS50PR.....	57
DM550CC .....	130	FS1500KHP.....	56	FS50QR.....	55
DM550CCC.....	135	FS1500MQMJ.....	55	FS50SP.....	58
DM550JC.....	131	FS1500NJ .....	57	FS50SR.....	58
DM550JCC.....	135	FS1500SP .....	58	FS750ACP .....	54
DM550JH .....	131	FS150ACP .....	54	FS750KHP .....	56
DM550JHC .....	136	FS150AR.....	54	FS750MQMJ .....	55
DM550JJ.....	132	FS150KHP .....	56	FS750NJ.....	57
DM550JJC.....	136	FS150KHR .....	56	FS750SP.....	58
DM550KD .....	132	FS150MQMJ .....	55	FSFH1 .....	59
DM550KDC .....	137	FS150NJ .....	57	H1EM015BB00.....	213
DM550KK.....	133	FS150PR .....	57	H1EM015BB00S.....	209
DM550KCC.....	137	FS150QR.....	55	H1EM015BB30.....	215
DM550NJ .....	133	FS150SP.....	58	H1EM015BB30S.....	211
DM550NJC .....	138	FS150SR.....	58	H1EM015BK00.....	213
DM550NN .....	134	FS2000ACP.....	54	H1EM015BK00S.....	209
DM550NNC .....	138	FS2000MQMJ.....	55	H1EM015BK30.....	215
DM660BK .....	130	FS250ACP .....	54	H1EM015BK30S.....	211
DM660BKC.....	134	FS250AR.....	54	H1EM015KB00.....	213
DM660CC .....	130	FS250KHP .....	56	H1EM015KB00S.....	209
DM660CCC.....	135	FS250KHR .....	56	H1EM015KB30.....	215
DM660JC.....	131	FS250MQMJ .....	55	H1EM015KB30S.....	211
DM660JCC.....	135	FS250NJ.....	57	H1EM015KK00.....	214
DM660JH .....	131	FS250PR .....	57	H1EM015KK00S.....	210
DM660JHC .....	136	FS250QR.....	55	H1EM015KK30.....	216
DM660JJ.....	132	FS250SP.....	58	H1EM015KK30S.....	212
DM660JJC.....	136	FS250SR.....	58	H1EM015PB00.....	214
DM660KD .....	132	FS3000ACP.....	54	H1EM015PB00S.....	210
DM660KDC .....	137	FS3000MQMJ.....	55	H1EM015PB30.....	216
DM660KK.....	133	FS350ACP .....	54	H1EM015PB30S.....	212
DM660KCC.....	137	FS350AR.....	54	H1EM015PK00.....	214
DM660NJ .....	133	FS350KHP .....	56	H1EM015PK00S.....	210
DM660NJC .....	138	FS350KHR .....	56	H1EM015PK30.....	216
DM660NN .....	134	FS350MQMJ .....	55	H1EM015PK30S.....	212
DM660NNC .....	138	FS350NJ.....	57	H1EM030BB00.....	213



# GENERAL INFORMATION

## ALPHA NUMERIC PART NUMBER INDEX

Catalog Part No.	Catalog Page No.	Catalog Part No.	Catalog Page No.	Catalog Part No.	Catalog Page No.
H1EM030BB00S.....	209	H1EM075KB30.....	215	H1EM150PB30S.....	212
H1EM030BB30.....	215	H1EM075KB30S.....	211	H1EM150PK00.....	214
H1EM030BB30S.....	211	H1EM075KK00.....	214	H1EM150PK00S.....	210
H1EM030BK00.....	213	H1EM075KK00S.....	210	H1EM150PK30.....	216
H1EM030BK00S.....	209	H1EM075KK30.....	216	H1EM150PK30S.....	212
H1EM030BK30.....	215	H1EM075KK30S.....	212	H1EM225BB00.....	213
H1EM030BK30S.....	211	H1EM075PB00.....	214	H1EM225BB00S.....	209
H1EM030KB00.....	213	H1EM075PB00S.....	210	H1EM225BB30.....	215
H1EM030KB00S.....	209	H1EM075PB30.....	216	H1EM225BB30S.....	211
H1EM030KB30.....	215	H1EM075PB30S.....	212	H1EM225BK00.....	213
H1EM030KB30S.....	211	H1EM075PK00.....	214	H1EM225BK00S.....	209
H1EM030KK00.....	214	H1EM075PK00S.....	210	H1EM225BK30.....	215
H1EM030KK00S.....	210	H1EM075PK30.....	216	H1EM225BK30S.....	211
H1EM030KK30.....	216	H1EM075PK30S.....	212	H1EM225KB00.....	213
H1EM030KK30S.....	212	H1EM112BB00.....	213	H1EM225KB00S.....	209
H1EM030PB00.....	214	H1EM112BB00S.....	209	H1EM225KB30.....	215
H1EM030PB00S.....	210	H1EM112BB30.....	215	H1EM225KB30S.....	211
H1EM030PB30.....	216	H1EM112BB30S.....	211	H1EM225KK00.....	214
H1EM030PB30S.....	212	H1EM112BK00.....	213	H1EM225KK00S.....	210
H1EM030PK00.....	214	H1EM112BK00S.....	209	H1EM225KK30.....	216
H1EM030PK00S.....	210	H1EM112BK30.....	215	H1EM225KK30S.....	212
H1EM030PK30.....	216	H1EM112BK30S.....	211	H1EM225PB00.....	214
H1EM030PK30S.....	212	H1EM112KB00.....	213	H1EM225PB00S.....	210
H1EM045BB00.....	213	H1EM112KB00S.....	209	H1EM225PB30.....	216
H1EM045BB00S.....	209	H1EM112KB30.....	215	H1EM225PB30S.....	212
H1EM045BB30.....	215	H1EM112KB30S.....	211	H1EM225PK00.....	214
H1EM045BB30S.....	211	H1EM112KK00.....	214	H1EM225PK00S.....	210
H1EM045BK00.....	213	H1EM112KK00S.....	210	H1EM225PK30.....	216
H1EM045BK00S.....	209	H1EM112KK30.....	216	H1EM225PK30S.....	212
H1EM045BK30.....	215	H1EM112KK30S.....	212	H1EM300BB00.....	213
H1EM045BK30S.....	211	H1EM112PB00.....	214	H1EM300BB00S.....	209
H1EM045KB00.....	213	H1EM112PB00S.....	210	H1EM300BB30.....	215
H1EM045KB00S.....	209	H1EM112PB30.....	216	H1EM300BB30S.....	211
H1EM045KB30.....	215	H1EM112PB30S.....	212	H1EM300BK00.....	213
H1EM045KB30S.....	211	H1EM112PK00.....	214	H1EM300BK00S.....	209
H1EM045KK00.....	214	H1EM112PK00S.....	210	H1EM300BK30.....	215
H1EM045KK00S.....	210	H1EM112PK30.....	216	H1EM300BK30S.....	211
H1EM045KK30.....	216	H1EM112PK30S.....	212	H1EM300KB00.....	213
H1EM045KK30S.....	212	H1EM150BB00.....	213	H1EM300KB00S.....	209
H1EM045PB00.....	214	H1EM150BB00S.....	209	H1EM300KB30.....	215
H1EM045PB00S.....	210	H1EM150BB30.....	215	H1EM300KB30S.....	211
H1EM045PB30.....	216	H1EM150BB30S.....	211	H1EM300KK00.....	214
H1EM045PB30S.....	212	H1EM150BK00.....	213	H1EM300KK00S.....	210
H1EM045PK00.....	214	H1EM150BK00S.....	209	H1EM300KK30.....	216
H1EM045PK00S.....	210	H1EM150BK30.....	215	H1EM300KK30S.....	212
H1EM045PK30.....	216	H1EM150BK30S.....	211	H1EM300PB00.....	214
H1EM045PK30S.....	212	H1EM150KB00.....	213	H1EM300PB00S.....	210
H1EM075BB00.....	213	H1EM150KB00S.....	209	H1EM300PB30.....	216
H1EM075BB00S.....	209	H1EM150KB30.....	215	H1EM300PB30S.....	212
H1EM075BB30.....	215	H1EM150KB30S.....	211	H1EM300PK00.....	214
H1EM075BB30S.....	211	H1EM150KK00.....	214	H1EM300PK00S.....	210
H1EM075BK00.....	213	H1EM150KK00S.....	210	H1EM300PK30.....	216
H1EM075BK00S.....	209	H1EM150KK30.....	216	H1EM300PK30S.....	212
H1EM075BK30.....	215	H1EM150KK30S.....	212	H1EM500BB00.....	213
H1EM075BK30S.....	211	H1EM150PB00.....	214	H1EM500BB00S.....	209
H1EM075KB00.....	213	H1EM150PB00S.....	210	H1EM500BB30.....	215
H1EM075KB00S.....	209	H1EM150PB30.....	216	H1EM500BB30S.....	211

GENERAL  
INFORMATION



# GENERAL INFORMATION

## ALPHA NUMERIC PART NUMBER INDEX

Catalog Part No.	Catalog Page No.	Catalog Part No.	Catalog Page No.	Catalog Part No.	Catalog Page No.
H1EM500BK00.....	213	MV1S015SECF.....	258	MV3S030SKAF.....	260
H1EM500BK00S.....	209	MV1S025RECF.....	258	MV3S030SKCF.....	262
H1EM500BK30.....	215	MV1S025REF.....	257	MV3S030SPAF.....	260
H1EM500BK30S.....	211	MV1S025SEAF.....	257	MV3S030SPCF.....	262
H1EM500KB00.....	213	MV1S025SECF.....	258	MV3S045RBAF.....	259
H1EM500KB00S.....	209	MV1S037RE.....	257	MV3S045RBCF.....	261
H1EM500KB30.....	215	MV1S037RECF.....	258	MV3S045RKAF.....	259
H1EM500KB30S.....	211	MV1S037SECF.....	258	MV3S045RKCF.....	261
H1EM500KK00.....	214	MV1S037SEF.....	257	MV3S045RPAF.....	259
H1EM500KK00S.....	210	MV1S050RE.....	257	MV3S045RPCF.....	261
H1EM500KK30.....	216	MV1S050RECF.....	258	MV3S045SBAF.....	260
H1EM500KK30S.....	212	MV1S050SE.....	257	MV3S045SBCF.....	262
H1EM500PB00.....	214	MV1S050SECF.....	258	MV3S045SKAF.....	260
H1EM500PB00S.....	210	MV1S075RE.....	257	MV3S045SKCF.....	262
H1EM500PB30.....	216	MV1S075REC.....	258	MV3S045SPAF.....	260
H1EM500PB30S.....	212	MV1S075SE.....	257	MV3S045SPCF.....	262
H1EM500PK00.....	214	MV1S075SEC.....	258	MV3S075RB.....	259
H1EM500PK00S.....	210	MV1S100RE.....	257	MV3S075RBCF.....	261
H1EM500PK30.....	216	MV1S100REC.....	258	MV3S075RK.....	259
H1EM500PK30S.....	212	MV1S100SE.....	257	MV3S075RKCF.....	261
H1EM750BB00.....	213	MV1S100SEC.....	258	MV3S075RP.....	259
H1EM750BB00S.....	209	MV1S150RE.....	257	MV3S075RPCF.....	261
H1EM750BB30.....	215	MV1S150REC.....	258	MV3S075SBAF.....	260
H1EM750BB30S.....	211	MV1S150SE.....	257	MV3S075SBCF.....	262
H1EM750BK00.....	213	MV1S150SEC.....	258	MV3S075SKAF.....	260
H1EM750BK00S.....	209	MV1S167RE.....	257	MV3S075SKCF.....	262
H1EM750BK30.....	215	MV1S167REC.....	258	MV3S075SPAF.....	260
H1EM750BK30S.....	211	MV1S167SE.....	257	MV3S075SPCF.....	262
H1EM750KB00.....	213	MV1S167SEC.....	258	MV3S1000RB.....	259
H1EM750KB00S.....	209	MV1S250RE.....	257	MV3S1000RBC.....	261
H1EM750KB30.....	215	MV1S250REC.....	258	MV3S1000RK.....	259
H1EM750KB30S.....	211	MV1S250SE.....	257	MV3S1000RKC.....	261
H1EM750KK00.....	214	MV1S250SEC.....	258	MV3S1000RP.....	259
H1EM750KK00S.....	210	MV1S333RE.....	257	MV3S1000RPC.....	261
H1EM750KK30.....	216	MV1S333REC.....	258	MV3S1000SB.....	260
H1EM750KK30S.....	212	MV1S333SE.....	257	MV3S1000SBC.....	262
H1EM750PB00.....	214	MV1S333SEC.....	258	MV3S1000SK.....	260
H1EM750PB00S.....	210	MV3S015RBAF.....	259	MV3S1000SKC.....	262
H1EM750PB30.....	216	MV3S015RBCF.....	261	MV3S1000SP.....	260
H1EM750PB30S.....	212	MV3S015RKAF.....	259	MV3S1000SPC.....	262
H1EM750PK00.....	214	MV3S015RKCF.....	261	MV3S112RB.....	259
H1EM750PK00S.....	210	MV3S015RPAF.....	259	MV3S112RBCF.....	261
H1EM750PK30.....	216	MV3S015RPCF.....	261	MV3S112RK.....	259
H1EM750PK30S.....	212	MV3S015SBAF.....	260	MV3S112RKCF.....	261
M1PC005LESF.....	248	MV3S015SBCF.....	262	MV3S112RP.....	259
M1PC005LESF7.....	248	MV3S015SKAF.....	260	MV3S112RPCF.....	261
M1PC007LESF.....	248	MV3S015SKCF.....	262	MV3S112SBAF.....	260
M1PC007LESF7.....	248	MV3S015SPAF.....	260	MV3S112SBCF.....	262
M1PC010LESF.....	248	MV3S015SPCF.....	262	MV3S112SKAF.....	260
M1PC010LESF7.....	248	MV3S030RBAF.....	259	MV3S112SKCF.....	262
M1PC015LESF.....	248	MV3S030RBCF.....	261	MV3S112SPAF.....	260
M1PC015LESF7.....	248	MV3S030RKAF.....	259	MV3S112SPCF.....	262
M1PC025LESF.....	248	MV3S030RKCF.....	261	MV3S1250RB.....	259
M1PC025LESF7.....	248	MV3S030RPAF.....	259	MV3S1250RBC.....	261
MV1S015REAF.....	257	MV3S030RPCF.....	261	MV3S1250RK.....	259
MV1S015RECF.....	258	MV3S030SBAF.....	260	MV3S1250RKC.....	261
MV1S015SEAF.....	257	MV3S030SBCF.....	262	MV3S1250RP.....	259





# GENERAL INFORMATION

## ALPHA NUMERIC PART NUMBER INDEX

Catalog Part No.	Catalog Page No.	Catalog Part No.	Catalog Page No.	Catalog Part No.	Catalog Page No.
MV3S1250RPC	261	MV3S500RK	259	NMF015HE	169
MV3S1250SB	260	MV3S500RKC	261	NMF015HEC	171
MV3S1250SBC	262	MV3S500RP	259	NMF015LE	169
MV3S1250SK	260	MV3S500RPC	261	NMF015LEC	170
MV3S1250SKC	262	MV3S500SB	260	NMF015PE	170
MV3S1250SP	260	MV3S500SBC	262	NMF015PEC	171
MV3S1250SPC	262	MV3S500SK	260	NMF015XE	170
MV3S1500RB	259	MV3S500SKC	262	NMF015XEC	171
MV3S1500RBC	261	MV3S500SP	260	NMF025BE	169
MV3S1500RK	259	MV3S500SPC	262	NMF025BEC	170
MV3S1500RKC	261	MV3S750RB	259	NMF025FE	169
MV3S1500RP	259	MV3S750RBC	261	NMF025FEC	171
MV3S1500RPC	261	MV3S750RK	259	NMF025HE	169
MV3S1500SB	260	MV3S750RKC	261	NMF025HEC	171
MV3S1500SBC	262	MV3S750RP	259	NMF025LE	169
MV3S1500SK	260	MV3S750RPC	261	NMF025LEC	170
MV3S1500SKC	262	MV3S750SB	260	NMF025PE	170
MV3S1500SP	260	MV3S750SBC	262	NMF025PEC	171
MV3S1500SPC	262	MV3S750SK	260	NMF025XE	170
MV3S150RB	259	MV3S750SKC	262	NMF025XEC	171
MV3S150RBC	261	MV3S750SP	260	NMF037BE	169
MV3S150RK	259	MV3S750SPC	262	NMF037BEC	170
MV3S150RKC	261	N1	268	NMF037FE	169
MV3S150RP	259	N2	268	NMF037FEC	171
MV3S150RPC	261	NH3	264	NMF037HE	169
MV3S150SB	260	NH3-N12	271	NMF037HEC	171
MV3S150SBCF	262	NH3-N3RE	270	NMF037LE	169
MV3S150SK	260	NH3-N4	271	NMF037LEC	170
MV3S150SKCF	262	NH4	264	NMF037PE	170
MV3S150SP	260	NH4-N12	271	NMF037PEC	171
MV3S150SPCF	262	NH4-N3RE	270	NMF037XE	170
MV3S225RB	259	NH4-N4	271	NMF037XEC	171
MV3S225RBC	261	NH5	264	NMF050BE	169
MV3S225RK	259	NH5DP	277	NMF050BEC	170
MV3S225RKC	261	NH5-N12	271	NMF050FE	169
MV3S225RP	259	NH5-N4	271	NMF050FEC	171
MV3S225RPC	261	NH6	264	NMF050HE	169
MV3S225SB	260	NH6DP	277	NMF050HEC	171
MV3S225SBC	262	NH6-N12	271	NMF050LE	169
MV3S225SK	260	NH6-N4	271	NMF050LEC	170
MV3S225SKC	262	NJ1	265	NMF050PE	170
MV3S225SP	260	NJ1-N12	272	NMF050PEC	171
MV3S225SPC	262	NJ1-N3RE	270	NMF050XE	170
MV3S300RB	259	NJ1-N4	272	NMF050XEC	171
MV3S300RBC	261	NJ2	265	NMF075BE	169
MV3S300RK	259	NJ2-N3RE	270	NMF075BEC	170
MV3S300RKC	261	NJ3	265	NMF075FE	169
MV3S300RP	259	NJ3-N3RE	270	NMF075FEC	171
MV3S300RPC	261	NJ4	265	NMF075HE	169
MV3S300SB	260	NJ6	265	NMF075HEC	171
MV3S300SBC	262	NJ6-N3RE	270	NMF075LE	169
MV3S300SK	260	NJ7	265	NMF075LEC	170
MV3S300SKC	262	NJ7-N3RE	270	NMF075PE	170
MV3S300SP	260	NMF015BE	169	NMF075PEC	171
MV3S300SPC	262	NMF015BEC	170	NMF075XE	170
MV3S500RB	259	NMF015FE	169	NMF075XEC	171
MV3S500RBC	261	NMF015FEC	171	NMF100BE	169

GENERAL  
INFORMATION



# GENERAL INFORMATION

## ALPHA NUMERIC PART NUMBER INDEX

Catalog Part No.	Catalog Page No.	Catalog Part No.	Catalog Page No.	Catalog Part No.	Catalog Page No.
NMF100BEC.....	170	NMK030BBC.....	176	NMK075PBC.....	179
NMF100FE.....	169	NMK030BK.....	173	NMK075PD.....	176
NMF100FEC.....	171	NMK030BKC.....	177	NMK075PDC.....	179
NMF100HE.....	169	NMK030DB.....	173	NMK075PK.....	176
NMF100HEC.....	171	NMK030DBC.....	177	NMK075PKC.....	179
NMF100LE.....	169	NMK030DK.....	174	NMK112BB.....	173
NMF100LEC.....	170	NMK030DKC.....	177	NMK112BBC.....	176
NMF100PE.....	170	NMK030KB.....	174	NMK112BK.....	173
NMF100PEC.....	171	NMK030KBCN.....	178	NMK112BKC.....	177
NMF100XE.....	170	NMK030KD.....	174	NMK112DB.....	173
NMF100XEC.....	171	NMK030KDCN.....	178	NMK112DBC.....	177
NMF150BE.....	169	NMK030KK.....	175	NMK112DK.....	174
NMF150BEC.....	170	NMK030KKCN.....	178	NMK112DKC.....	177
NMF150FE.....	169	NMK030KY.....	175	NMK112KB.....	174
NMF150FEC.....	171	NMK030PB.....	175	NMK112KBC.....	178
NMF150HE.....	169	NMK030PBCN.....	179	NMK112KD.....	174
NMF150HEC.....	171	NMK030PD.....	176	NMK112KDC.....	178
NMF150LE.....	169	NMK030PDC.....	179	NMK112KK.....	175
NMF150LEC.....	170	NMK030PK.....	176	NMK112KCC.....	178
NMF150PE.....	170	NMK030PKCN.....	179	NMK112KY.....	175
NMF150PEC.....	171	NMK045BB.....	173	NMK112PB.....	175
NMF150XE.....	170	NMK045BBC.....	176	NMK112PBC.....	179
NMF150XEC.....	171	NMK045BK.....	173	NMK112PD.....	176
NMF167BE.....	169	NMK045BKC.....	177	NMK112PDC.....	179
NMF167BEC.....	170	NMK045DB.....	173	NMK112PK.....	176
NMF167FE.....	169	NMK045DBC.....	177	NMK112PKC.....	179
NMF167FEC.....	171	NMK045DK.....	174	NMK150BB.....	173
NMF167HE.....	169	NMK045DKC.....	177	NMK150BBC.....	176
NMF167HEC.....	171	NMK045KB.....	174	NMK150BK.....	173
NMF167LE.....	169	NMK045KBC.....	178	NMK150BKC.....	177
NMF167LEC.....	170	NMK045KD.....	174	NMK150DB.....	173
NMF167PE.....	170	NMK045KDC.....	178	NMK150DBC.....	177
NMF167PEC.....	171	NMK045KK.....	175	NMK150DK.....	174
NMF167XE.....	170	NMK045KCC.....	178	NMK150DKC.....	177
NMF167XEC.....	171	NMK045KY.....	175	NMK150KB.....	174
NMK015BB.....	173	NMK045PB.....	175	NMK150KBC.....	178
NMK015BBCN.....	176	NMK045PBC.....	179	NMK150KD.....	174
NMK015BK.....	173	NMK045PD.....	176	NMK150KDC.....	178
NMK015BKCN.....	177	NMK045PDC.....	179	NMK150KK.....	175
NMK015DB.....	173	NMK045PK.....	176	NMK150KCC.....	178
NMK015DBCN.....	177	NMK045PKC.....	179	NMK150PB.....	175
NMK015DK.....	174	NMK075BB.....	173	NMK150PBC.....	179
NMK015DKCN.....	177	NMK075BBC.....	176	NMK150PD.....	176
NMK015KB.....	174	NMK075BK.....	173	NMK150PDC.....	179
NMK015KBCN.....	178	NMK075BKC.....	177	NMK150PK.....	176
NMK015KD.....	174	NMK075DB.....	173	NMK150PKC.....	179
NMK015KDCN.....	178	NMK075DBC.....	177	NMK225BB.....	173
NMK015KK.....	175	NMK075DK.....	174	NMK225BBC.....	176
NMK015KKCN.....	178	NMK075DKC.....	177	NMK225BK.....	173
NMK015KY.....	175	NMK075KB.....	174	NMK225BKC.....	177
NMK015PB.....	175	NMK075KBC.....	178	NMK225DB.....	173
NMK015PBCN.....	179	NMK075KD.....	174	NMK225DBC.....	177
NMK015PD.....	176	NMK075KDC.....	178	NMK225DK.....	174
NMK015PDCN.....	179	NMK075KK.....	175	NMK225DKC.....	177
NMK015PK.....	176	NMK075KCC.....	178	NMK225KB.....	174
NMK015PKCN.....	179	NMK075KY.....	175	NMK225KBC.....	178
NMK030BB.....	173	NMK075PB.....	175	NMK225KD.....	174

GENERAL  
INFORMATION



# GENERAL INFORMATION

## ALPHA NUMERIC PART NUMBER INDEX

Catalog Part No.	Catalog Page No.	Catalog Part No.	Catalog Page No.	Catalog Part No.	Catalog Page No.
NMK225KDC	178	NMK750KB	174	NMT04K750PBK	197
NMK225KK	175	NMK750KBC	178	NMT04K750PBS	197
NMK225KKC	178	NMK750KD	174	NMT13K015KBBK	198
NMK225PB	175	NMK750KDC	178	NMT13K015KBS	198
NMK225PBC	179	NMK750KK	175	NMT13K015PBKF	198
NMK225PD	176	NMK750KCC	178	NMT13K015PBS	198
NMK225PDC	179	NMK750PB	175	NMT13K030KBKN	198
NMK225PK	176	NMK750PBC	179	NMT13K030KBS	198
NMK225PKC	179	NMK750PD	176	NMT13K030PBKN	198
NMK300BB	173	NMK750PDC	179	NMT13K030PBS	198
NMK300BBC	176	NMK750PK	176	NMT13K045KBBK	198
NMK300BK	173	NMK750PKC	179	NMT13K045KBS	198
NMK300BKC	177	NMP1	278	NMT13K045PBK	198
NMK300DB	173	NMP2	278	NMT13K045PBS	198
NMK300DBC	177	NMP3	278	NMT13K075KBBK	198
NMK300DK	174	NMP4	278	NMT13K075KBS	198
NMK300DKC	177	NMP5	278	NMT13K075PBK	198
NMK300KB	174	NMP6	278	NMT13K075PBS	198
NMK300KBC	178	NMP7	278	NMT13K112KBBK	198
NMK300KD	174	NMT04K015KBBK	197	NMT13K112KBS	198
NMK300KDC	178	NMT04K015KBS	197	NMT13K112PBK	198
NMK300KK	175	NMT04K015PBKF	197	NMT13K112PBS	198
NMK300KCC	178	NMT04K015PBS	197	NMT13K150KBBK	198
NMK300PB	175	NMT04K030KBKN	197	NMT13K150KBS	198
NMK300PBC	179	NMT04K030KBS	197	NMT13K150PBK	198
NMK300PD	176	NMT04K030PBKN	197	NMT13K150PBS	198
NMK300PDC	179	NMT04K030PBS	197	NMT13K225KBBK	198
NMK300PK	176	NMT04K045KBBK	197	NMT13K225KBS	198
NMK300PKC	179	NMT04K045KBS	197	NMT13K225PBK	198
NMK500BB	173	NMT04K045PBK	197	NMT13K225PBS	198
NMK500BBC	176	NMT04K05PBS	197	NMT13K300KBBK	198
NMK500BK	173	NMT04K075KBBK	197	NMT13K300KBS	198
NMK500BKC	177	NMT04K075KBS	197	NMT13K300PBK	198
NMK500DB	173	NMT04K075PBK	197	NMT13K300PBS	198
NMK500DBC	177	NMT04K075PBS	197	NMT13K500KBBK	198
NMK500DK	174	NMT04K112KBBK	197	NMT13K500KBS	198
NMK500DKC	177	NMT04K112KBS	197	NMT13K500PBK	198
NMK500KB	174	NMT04K112PBK	197	NMT13K500PBS	198
NMK500KBC	178	NMT04K112PBS	197	NMT13K750KBBK	198
NMK500KD	174	NMT04K150KBBK	197	NMT13K750KBS	198
NMK500KDC	178	NMT04K150KBS	197	NMT13K750PBK	198
NMK500KK	175	NMT04K150PBK	197	NMT13K750PBS	198
NMK500KCC	178	NMT04K150PBS	197	NMT20K015KBBK	199
NMK500PB	175	NMT04K225KBBK	197	NMT20K015KBS	199
NMK500PBC	179	NMT04K225KBS	197	NMT20K015PBKF	199
NMK500PD	176	NMT04K225PBK	197	NMT20K015PBS	199
NMK500PDC	179	NMT04K225PBS	197	NMT20K030KBBK	199
NMK500PK	176	NMT04K300KBBK	197	NMT20K030KBS	199
NMK500PKC	179	NMT04K300KBS	197	NMT20K030PBKN	199
NMK750BB	173	NMT04K300PBK	197	NMT20K030PBS	199
NMK750BBC	176	NMT04K300PBS	197	NMT20K045KBBK	199
NMK750BK	173	NMT04K500KBBK	197	NMT20K045KBS	199
NMK750BKC	177	NMT04K500KBS	197	NMT20K045PBK	199
NMK750DB	173	NMT04K500PBK	197	NMT20K045PBS	199
NMK750DBC	177	NMT04K500PBS	197	NMT20K075KBBK	199
NMK750DK	174	NMT04K750KBBK	197	NMT20K075KBS	199
NMK750DKC	177	NMT04K750KBS	197	NMT20K075PBK	199

GENERAL  
INFORMATION



# GENERAL INFORMATION

## ALPHA NUMERIC PART NUMBER INDEX

Catalog Part No.	Catalog Page No.	Catalog Part No.	Catalog Page No.	Catalog Part No.	Catalog Page No.
NMT20K075PBS	199	NQT9GK	279	PFK2	42
NMT20K112KKB	199	NQTW1	278	PFK3	42
NMT20K112KBS	199	NQTW2	278	PFK4	42
NMT20K112PBK	199	NW2	276	PFK5	42
NMT20K112PBS	199	P002KKBK	242	PFK6	42
NMT20K150KKB	199	P002KDKB	242	PFK7	42
NMT20K150KBS	199	P002PBKB	242	PH1000AJ	36
NMT20K150PBK	199	P002PDKB	243	PH1000MBMH	39
NMT20K150PBS	199	P002QKKB	243	PH1000MEMX	40
NMT20K225KKB	199	P003KKBK	242	PH1000MGJ	41
NMT20K225KBS	199	P003KDKB	242	PH1000MLI	40
NMT20K225PBK	199	P003PBKB	242	PH1000MQMJ	37
NMT20K225PBS	199	P003PDKB	243	PH1000PG	39
NMT20K300KKB	199	P003QKKB	243	PH1000PP	38
NMT20K300KBS	199	P006KKBK	242	PH1000SP	38
NMT20K300PBK	199	P006KDKF	242	PH100AJ	36
NMT20K300PBS	199	P006PBKB	242	PH100AR	36
NMT20K500KKB	199	P006PDKF	243	PH100MBMH	39
NMT20K500KBS	199	P006QKKB	243	PH100MEMX	40
NMT20K500PBK	199	P009KKBK	242	PH100MGJ	41
NMT20K500PBS	199	P009KDKF	242	PH100MLI	40
NMT20K750KKB	199	P009PBKB	242	PH100MQMJ	37
NMT20K750KBS	199	P009PDKF	243	PH100PG	39
NMT20K750PBK	199	P009QKKB	243	PH100PP	38
NMT20K750PBS	199	P015KKBK	242	PH100QR	37
NQ0	266	P015KDKF	242	PH100SP	38
NQ1	266	P015PBKB	242	PH1500AJ	36
NQ2	266	P015PDKF	243	PH1500MBMH	39
NQ3	266	P015QKKB	243	PH1500MQMJ	37
NQ4	266	P030KKBK	242	PH1500PP	38
NQ5	266	P030KDKF	242	PH150AJ	36
NQ6	266	P030PBKB	242	PH150AR	36
NQ6A	266	P030PDKF	243	PH150MBMH	39
NQ7	266	P030QKKB	243	PH150MEMX	40
NQ8	266	P045KKBK	242	PH150MGJ	41
NQS10	267	P045KDKF	242	PH150MLI	40
NQT10	267	P045PBKB	242	PH150MQMJ	37
NQT10GK	279	P045PDKF	243	PH150PG	39
NQT11	267	P045QKKB	243	PH150PP	38
NQT11GK	279	P075KKBK	242	PH150QR	37
NQT2	267	P075KDKF	242	PH150SP	38
NQT2GK	279	P075PBKB	242	PH250AJ	36
NQT3	267	P075PDKF	243	PH250AR	36
NQT3GK	279	P075QKKB	243	PH250MBMH	39
NQT4	267	P1	278	PH250MEMX	40
NQT4GK	279	P112KKBK	242	PH250MGJ	41
NQT5	267	P112KDKF	242	PH250MLI	40
NQT5GK	279	P112PBKB	242	PH250MQMJ	37
NQT6	267	P112PDKF	243	PH250PG	39
NQT6GK	279	P112QKKB	243	PH250PP	38
NQT7	267	P150KKBK	242	PH250QR	37
NQT7GK	279	P150KDKF	242	PH250SP	38
NQT8	267	P150PBKB	242	PH350AJ	36
NQT8GK	279	P150PDKF	243	PH350AR	36
NQT9	267	P150QKKB	243	PH350MBMH	39
NQT9A	267	P2	278	PH350MEMX	40
NQT9AGK	279	PFK1	42	PH350MGJ	41



# GENERAL INFORMATION

## ALPHA NUMERIC PART NUMBER INDEX

Catalog Part No.	Catalog Page No.	Catalog Part No.	Catalog Page No.	Catalog Part No.	Catalog Page No.
PH350MLI.....	40	Q002LEKF.....	239	Q1C5DTCF.....	88,89,159
PH350MQMJ.....	37	Q002PEKF.....	240	Q1C5ERCF.....	88,89,159
PH350PG.....	39	Q002PRCF.....	61	Q1C5ESCF.....	88,89,159
PH350PP.....	38	Q002XEKF.....	240	Q1C5FEKF.....	239
PH350QR.....	37	Q002YEKF.....	239	Q1C5LEKF.....	239
PH350SP.....	38	Q003DTCF.....	88,89,159	Q1C5PEKF.....	240
PH500AJ.....	36	Q003ERCF.....	88,89,159	Q1C5PRCF.....	61
PH500AR.....	36	Q003ESCF.....	88,89,159	Q1C5XEKF.....	240
PH500MBMH.....	39	Q003FEKF.....	239	Q1C5YEKF.....	239
PH500MEMX.....	40	Q003LEKF.....	239	QC05DTCB.....	88,89,159
PH500MGJ.....	41	Q003PEKF.....	240	QC05ERCB.....	88,89,159
PH500MLI.....	40	Q003PRCF.....	61	QC05ESCB.....	88,89,159
PH500MQMJ.....	37	Q003XEKF.....	240	QC05PRCB.....	61
PH500PG.....	39	Q003YEKF.....	239	QC10DTCB.....	88,89,159
PH500PP.....	38	Q005DTCF.....	88,89,159	QC10ERCB.....	88,89,159
PH500QR.....	37	Q005ERCF.....	88,89,159	QC10ESCB.....	88,89,159
PH500SP.....	38	Q005ESCF.....	88,89,159	QC10PRCB.....	61
PH50AJ.....	36	Q005FEKF.....	239	QC15DTCB.....	88,89,159
PH50AR.....	36	Q005LEKF.....	239	QC15ERCB.....	88,89,159
PH50MBMH.....	39	Q005PEKF.....	240	QC15ESCB.....	88,89,159
PH50MEMX.....	40	Q005PRCF.....	61	QC15PRCB.....	61
PH50MGJ.....	41	Q005XEKF.....	240	QC20DTCB.....	88,89,159
PH50MLI.....	40	Q005YEKF.....	239	QC20ERCB.....	88,89,159
PH50MQMJ.....	37	Q007FEKF.....	239	QC20ESCB.....	88,89,159
PH50PG.....	39	Q007LEKF.....	239	QC20PRCB.....	61
PH50PP.....	38	Q007PEKF.....	240	QC25DTCB.....	88,89,159
PH50QR.....	37	Q007XEKF.....	240	QC25ERCB.....	88,89,159
PH50SP.....	38	Q007YEKF.....	239	QC25ESCB.....	88,89,159
PH750AJ.....	36	Q010FEKF.....	239	QC25PRCB.....	61
PH750MBMH.....	39	Q010LEKF.....	239	QC35DTCB.....	88,89,159
PH750MEMX.....	40	Q010PEKF.....	240	QC35ERCB.....	88,89,159
PH750MGJ.....	41	Q010XEKF.....	240	QC35ESCB.....	88,89,159
PH750MLI.....	40	Q010YEKF.....	239	QC35PRCB.....	61
PH750MQMJ.....	37	Q015FEKF.....	239	QC50DTCB.....	88,89,159
PH750PG.....	39	Q015LEKF.....	239	QC50ERCB.....	88,89,159
PH750PP.....	38	Q015PEKF.....	240	QC50ESCB.....	88,89,159
PH750SP.....	38	Q015XEKF.....	240	QC50FECB.....	239
PH75AJ.....	36	Q015YEKF.....	239	QC50LECB.....	239
PH75AR.....	36	Q025FEKF.....	239	QC50PECB.....	240
PH75MBMH.....	39	Q025LEKF.....	239	QC50PRCB.....	61
PH75MEMX.....	40	Q025PEKF.....	240	QC50XECB.....	240
PH75MGJ.....	41	Q025XEKF.....	240	QC50YECB.....	239
PH75MLI.....	40	Q025YEKF.....	239	QC75DTCB.....	88,89,159
PH75MQMJ.....	37	Q037FEKF.....	239	QC75ERCB.....	88,89,159
PH75PG.....	39	Q037LEKF.....	239	QC75ESCB.....	88,89,159
PH75PP.....	38	Q037PEKF.....	240	QC75FEKB.....	239
PH75QR.....	37	Q037XEKF.....	240	QC75LEKB.....	239
PH75SP.....	38	Q037YEKF.....	239	QC75PEKB.....	240
PPE1.....	273	Q1C0DTCB.....	88,89,159	QC75PRCB.....	61
PPE2.....	273	Q1C0ERCB.....	88,89,159	QC75XEKB.....	240
PPE3.....	274	Q1C0ESCB.....	88,89,159	QC75YEKB.....	239
PPE4.....	274	Q1C0FEKB.....	239	RC0002M12.....	121
PPE5.....	275	Q1C0LEKB.....	239	RC0004N65.....	121
Q002DTCF.....	88,89,159	Q1C0PEKB.....	240	RC0008N30.....	121
Q002ERCF.....	88,89,159	Q1C0PRCB.....	61	RC0012N25.....	121
Q002ESCF.....	88,89,159	Q1C0XEKB.....	240	RC0018N15.....	121
Q002FEKF.....	239	Q1C0YEKB.....	239	RC0025N12.....	121

GENERAL  
INFORMATION



# GENERAL INFORMATION

## ALPHA NUMERIC PART NUMBER INDEX

Catalog Part No.	Catalog Page No.	Catalog Part No.	Catalog Page No.	Catalog Part No.	Catalog Page No.
RC0035P80.....	121	RM0025P50.....	115	RM0200P19E.....	118
RC0045P70.....	121	RM0025P50E.....	117	RM0200P24.....	116
RC0055P50.....	121	RM0035N12.....	115	RM0200P24E.....	118
RC0080P40.....	121	RM0035N12E.....	117	RM0200U55.....	116
RC0110P30.....	121	RM0035N17.....	115	RM0200U55E.....	118
RC0130P20.....	121	RM0035N17E.....	117	RM0250P15.....	116
RC0160P15.....	121	RM0035P40.....	115	RM0250P15E.....	118
RC0200P11.....	121	RM0035P40E.....	117	RM0250P19.....	116
RC0250U90.....	121	RM0035P80.....	115	RM0250P19E.....	118
RC0320U75.....	121	RM0035P80E.....	117	RM0250U45.....	116
RC0400U61.....	121	RM0045N12.....	115	RM0250U45E.....	118
RC0500U50.....	121	RM0045N12E.....	117	RM0250U90.....	116
RC0600U40.....	121	RM0045P30.....	115	RM0250U90E.....	118
RM0002M12.....	115	RM0045P30E.....	117	RM0320P13.....	116
RM0002M12E.....	117	RM0045P70.....	115	RM0320P13E.....	118
RM0002M20.....	115	RM0045P70E.....	117	RM0320P16.....	116
RM0002M20E.....	117	RM0055P25.....	115	RM0320P16E.....	118
RM0002M32.....	115	RM0055P25E.....	117	RM0320U40.....	116
RM0002M32E.....	117	RM0055P50.....	115	RM0320U40E.....	118
RM0004M12.....	115	RM0055P50E.....	117	RM0320U75.....	116
RM0004M12E.....	117	RM0055P85.....	115	RM0320U75E.....	118
RM0004M22.....	115	RM0055P85E.....	117	RM0320U96.....	116
RM0004M22E.....	117	RM0080P20.....	115	RM0320U96E.....	118
RM0004N30.....	115	RM0080P20E.....	117	RM0400P11.....	116
RM0004N30E.....	117	RM0080P23.....	115	RM0400P11E.....	118
RM0004N65.....	115	RM0080P23E.....	117	RM0400P14.....	116
RM0004N65E.....	117	RM0080P40.....	115	RM0400P14E.....	118
RM0004N91.....	115	RM0080P40E.....	117	RM0400U30.....	116
RM0004N91E.....	117	RM0080P70.....	115	RM0400U30E.....	118
RM0008N15.....	115	RM0080P70E.....	117	RM0400U61.....	116
RM0008N15E.....	117	RM0110P15.....	115	RM0400U61E.....	118
RM0008N30.....	115	RM0110P15E.....	117	RM0400U82.....	116
RM0008N30E.....	117	RM0110P18.....	115	RM0400U82E.....	118
RM0008N50.....	115	RM0110P18E.....	117	RM0500U25.....	116
RM0008N50E.....	117	RM0110P30.....	115	RM0500U25E.....	118
RM0008N75.....	115	RM0110P30E.....	117	RM0500U50.....	116
RM0008N75E.....	117	RM0110P45.....	115	RM0500U50E.....	118
RM0012N13.....	115	RM0110P45E.....	117	RM0500U57.....	116
RM0012N13E.....	117	RM0130P10.....	115	RM0500U57E.....	118
RM0012N25.....	115	RM0130P10E.....	117	RM0500U85.....	116
RM0012N25E.....	117	RM0130P20.....	115	RM0500U85E.....	118
RM0012N31.....	115	RM0130P20E.....	117	RM0500U96.....	116
RM0012N31E.....	117	RM0130P30.....	115	RM0500U96E.....	118
RM0012N42.....	115	RM0130P30E.....	117	RM0600U20.....	116
RM0012N42E.....	117	RM0130P37.....	115	RM0600U20E.....	118
RM0012N51.....	115	RM0130P37E.....	117	RM0600U40.....	116
RM0012N51E.....	117	RM0160P15.....	115	RM0600U40E.....	118
RM0018N15.....	115	RM0160P15E.....	117	RM0600U65.....	116
RM0018N15E.....	117	RM0160P23.....	115	RM0600U65E.....	118
RM0018N25.....	115	RM0160P23E.....	117	RM0600U80.....	116
RM0018N25E.....	117	RM0160P32.....	115	RM0600U80E.....	118
RM0018P80.....	115	RM0160P32E.....	117	RM0700U41.....	116
RM0018P80E.....	117	RM0160U75.....	115	RM0700U41E.....	118
RM0025N12.....	115	RM0160U75E.....	117	RM0700U68.....	116
RM0025N12E.....	117	RM0200P11.....	116	RM0700U68E.....	118
RM0025N20.....	115	RM0200P11E.....	118	RM0750U15.....	116
RM0025N20E.....	117	RM0200P19.....	116	RM0750U15E.....	118

GENERAL  
INFORMATION



# GENERAL INFORMATION

## ALPHA NUMERIC PART NUMBER INDEX

Catalog Part No.	Catalog Page No.	Catalog Part No.	Catalog Page No.	Catalog Part No.	Catalog Page No.
RM0750U25.....	116	S1EM015PB30S.....	222	S1EM075BK00.....	223
RM0750U25E.....	118	S1EM015PK00.....	224	S1EM075BK00S.....	219
RM0750U36.....	116	S1EM015PK00S.....	220	S1EM075BK30.....	225
RM0750U36E.....	118	S1EM015PK30.....	226	S1EM075BK30S.....	221
RM0750U60.....	116	S1EM015PK30S.....	222	S1EM075KB00.....	223
RM0750U60E.....	118	S1EM030BB00.....	223	S1EM075KB00S.....	219
RM0900U13.....	116	S1EM030BB00S.....	219	S1EM075KB30.....	225
RM0900U13E.....	118	S1EM030BB30.....	225	S1EM075KB30S.....	221
RM0900U26.....	116	S1EM030BB30S.....	221	S1EM075KK00.....	224
RM0900U26E.....	118	S1EM030BK00.....	223	S1EM075KK00S.....	220
RM0900U32.....	116	S1EM030BK00S.....	219	S1EM075KK30.....	226
RM0900U32E.....	118	S1EM030BK30.....	225	S1EM075KK30S.....	222
RM0900U43.....	116	S1EM030BK30S.....	221	S1EM075PB00.....	224
RM0900U43E.....	118	S1EM030KB00.....	223	S1EM075PB00S.....	220
RM0900U53.....	116	S1EM030KB00S.....	219	S1EM075PB30.....	226
RM0900U53E.....	118	S1EM030KB30.....	225	S1EM075PB30S.....	222
RM1000U11.....	116	S1EM030KB30S.....	221	S1EM075PK00.....	224
RM1000U11E.....	118	S1EM030KK00.....	224	S1EM075PK00S.....	220
RM1000U18.....	116	S1EM030KK00S.....	220	S1EM075PK30.....	226
RM1000U18E.....	118	S1EM030KK30.....	226	S1EM075PK30S.....	222
RM1000U29.....	116	S1EM030KK30S.....	222	S1EM112BB00.....	223
RM1000U29E.....	118	S1EM030PB00.....	224	S1EM112BB00S.....	219
RM1000U38.....	116	S1EM030PB00S.....	220	S1EM112BB30.....	225
RM1000U38E.....	118	S1EM030PB30.....	226	S1EM112BB30S.....	221
RM1000U48.....	116	S1EM030PB30S.....	222	S1EM112BK00.....	223
RM1000U48E.....	118	S1EM030PK00.....	224	S1EM112BK00S.....	219
RM1200U10.....	116	S1EM030PK00S.....	220	S1EM112BK30.....	225
RM1200U10E.....	118	S1EM030PK30.....	226	S1EM112BK30S.....	221
RM1200U15.....	116	S1EM030PK30S.....	222	S1EM112KB00.....	223
RM1200U15E.....	118	S1EM045BB00.....	223	S1EM112KB00S.....	219
RM1200U18.....	116	S1EM045BB00S.....	219	S1EM112KB30.....	225
RM1200U18E.....	118	S1EM045BB30.....	225	S1EM112KB30S.....	221
RM1200U24.....	116	S1EM045BB30S.....	221	S1EM112KK00.....	224
RM1200U24E.....	118	S1EM045BK00.....	223	S1EM112KK00S.....	220
RM1200U30.....	116	S1EM045BK00S.....	219	S1EM112KK30.....	226
RM1200U30E.....	118	S1EM045BK30.....	225	S1EM112KK30S.....	222
RM1200U40.....	116	S1EM045BK30S.....	221	S1EM112PB00.....	224
RM1200U40E.....	118	S1EM045KB00.....	223	S1EM112PB00S.....	220
S1EM015BB00.....	223	S1EM045KB00S.....	219	S1EM112PB30.....	226
S1EM015BB00S.....	219	S1EM045KB30.....	225	S1EM112PB30S.....	222
S1EM015BB30.....	225	S1EM045KB30S.....	221	S1EM112PK00.....	224
S1EM015BB30S.....	221	S1EM045KK00.....	224	S1EM112PK00S.....	220
S1EM015BK00.....	223	S1EM045KK00S.....	220	S1EM112PK30.....	226
S1EM015BK00S.....	219	S1EM045KK30.....	226	S1EM112PK30S.....	222
S1EM015BK30.....	225	S1EM045KK30S.....	222	S1EM150BB00.....	223
S1EM015BK30S.....	221	S1EM045PB00.....	224	S1EM150BB00S.....	219
S1EM015KB00.....	223	S1EM045PB00S.....	220	S1EM150BB30.....	225
S1EM015KB00S.....	219	S1EM045PB30.....	226	S1EM150BB30S.....	221
S1EM015KB30.....	225	S1EM045PB30S.....	222	S1EM150BK00.....	223
S1EM015KB30S.....	221	S1EM045PK00.....	224	S1EM150BK00S.....	219
S1EM015KK00.....	224	S1EM045PK00S.....	220	S1EM150BK30.....	225
S1EM015KK00S.....	220	S1EM045PK30.....	226	S1EM150BK30S.....	221
S1EM015KK30.....	226	S1EM045PK30S.....	222	S1EM150KB00.....	223
S1EM015KK30S.....	222	S1EM075BB00.....	223	S1EM150KB00S.....	219
S1EM015PB00.....	224	S1EM075BB00S.....	219	S1EM150KB30.....	225
S1EM015PB00S.....	220	S1EM075BB30.....	225	S1EM150KB30S.....	221
S1EM015PB30.....	226	S1EM075BB30S.....	221	S1EM150KK00.....	224

GENERAL  
INFORMATION



# GENERAL INFORMATION

## ALPHA NUMERIC PART NUMBER INDEX

Catalog Part No.	Catalog Page No.	Catalog Part No.	Catalog Page No.	Catalog Part No.	Catalog Page No.
S1EM150KK00S	220	S1EM300PK30	226	SMF015LEC	183
S1EM150KK30	226	S1EM300PK30S	222	SMF015PE	183
S1EM150KK30S	222	S1EM500BB00	223	SMF015PEC	184
S1EM150PB00	224	S1EM500BB00S	219	SMF015XE	183
S1EM150PB00S	220	S1EM500BB30	225	SMF015XEC	184
S1EM150PB30	226	S1EM500BB30S	221	SMF025BE	182
S1EM150PB30S	222	S1EM500BK00	223	SMF025BEC	183
S1EM150PK00	224	S1EM500BK00S	219	SMF025FE	182
S1EM150PK00S	220	S1EM500BK30	225	SMF025FEC	184
S1EM150PK30	226	S1EM500BK30S	221	SMF025HE	182
S1EM150PK30S	222	S1EM500KB00	223	SMF025HEC	184
S1EM225BB00	223	S1EM500KB00S	219	SMF025LE	182
S1EM225BB00S	219	S1EM500KB30	225	SMF025LEC	183
S1EM225BB30	225	S1EM500KB30S	221	SMF025PE	183
S1EM225BB30S	221	S1EM500KK00	224	SMF025PEC	184
S1EM225BK00	223	S1EM500KK00S	220	SMF025XE	183
S1EM225BK00S	219	S1EM500KK30	226	SMF025XEC	184
S1EM225BK30	225	S1EM500KK30S	222	SMF037BE	182
S1EM225BK30S	221	S1EM500PB00	224	SMF037BEC	183
S1EM225KB00	223	S1EM500PB00S	220	SMF037FE	182
S1EM225KB00S	219	S1EM500PB30	226	SMF037FEC	184
S1EM225KB30	225	S1EM500PB30S	222	SMF037HE	182
S1EM225KB30S	221	S1EM500PK00	224	SMF037HEC	184
S1EM225KK00	224	S1EM500PK00S	220	SMF037LE	182
S1EM225KK00S	220	S1EM500PK30	226	SMF037LEC	183
S1EM225KK30	226	S1EM500PK30S	222	SMF037PE	183
S1EM225KK30S	222	S1EM750BB00	223	SMF037PEC	184
S1EM225PB00	224	S1EM750BB00S	219	SMF037XE	183
S1EM225PB00S	220	S1EM750BB30	225	SMF037XEC	184
S1EM225PB30	226	S1EM750BB30S	221	SMF050BE	182
S1EM225PB30S	222	S1EM750BK00	223	SMF050BEC	183
S1EM225PK00	224	S1EM750BK00S	219	SMF050FE	182
S1EM225PK00S	220	S1EM750BK30	225	SMF050FEC	184
S1EM225PK30	226	S1EM750BK30S	221	SMF050HE	182
S1EM225PK30S	222	S1EM750KB00	223	SMF050HEC	184
S1EM300BB00	223	S1EM750KB00S	219	SMF050LE	182
S1EM300BB00S	219	S1EM750KB30	225	SMF050LEC	183
S1EM300BB30	225	S1EM750KB30S	221	SMF050PE	183
S1EM300BB30S	221	S1EM750KK00	224	SMF050PEC	184
S1EM300BK00	223	S1EM750KK00S	220	SMF050XE	183
S1EM300BK00S	219	S1EM750KK30	226	SMF050XEC	184
S1EM300BK30	225	S1EM750KK30S	222	SMF075BE	182
S1EM300BK30S	221	S1EM750PB00	224	SMF075BEC	183
S1EM300KB00	223	S1EM750PB00S	220	SMF075FE	182
S1EM300KB00S	219	S1EM750PB30	226	SMF075FEC	184
S1EM300KB30	225	S1EM750PB30S	222	SMF075HE	182
S1EM300KB30S	221	S1EM750PK00	224	SMF075HEC	184
S1EM300KK00	224	S1EM750PK00S	220	SMF075LE	182
S1EM300KK00S	220	S1EM750PK30	226	SMF075LEC	183
S1EM300KK30	226	S1EM750PK30S	222	SMF075PE	183
S1EM300KK30S	222	SMF015BE	182	SMF075PEC	184
S1EM300PB00	224	SMF015BEC	183	SMF075XE	183
S1EM300PB00S	220	SMF015FE	182	SMF075XEC	184
S1EM300PB30	226	SMF015FEC	184	SMF100BE	182
S1EM300PB30S	222	SMF015HE	182	SMF100BEC	183
S1EM300PK00	224	SMF015HEC	184	SMF100FE	182
S1EM300PK00S	220	SMF015LE	182	SMF100FEC	184

GENERAL  
INFORMATION





# GENERAL INFORMATION

## ALPHA NUMERIC PART NUMBER INDEX

Catalog Part No.	Catalog Page No.	Catalog Part No.	Catalog Page No.	Catalog Part No.	Catalog Page No.
SMF100HE.....	182	SMK030DBC.....	190	SMK112BK.....	186
SMF100HEC.....	184	SMK030DK.....	187	SMK112BKC.....	189
SMF100LE.....	182	SMK030DKC.....	190	SMK112DB.....	186
SMF100LEC.....	183	SMK030KB.....	187	SMK112DBC.....	190
SMF100PE.....	183	SMK030KBCN.....	190	SMK112DK.....	187
SMF100PEC.....	184	SMK030KD.....	187	SMK112DKC.....	190
SMF100XE.....	183	SMK030KDCN.....	191	SMK112KB.....	187
SMF100XEC.....	184	SMK030KK.....	188	SMK112KBC.....	190
SMF150BE.....	182	SMK030KKCN.....	191	SMK112KD.....	187
SMF150BEC.....	183	SMK030PB.....	188	SMK112KDC.....	191
SMF150FE.....	182	SMK030PBCN.....	191	SMK112KK.....	188
SMF150FEC.....	184	SMK030PD.....	188	SMK112KKC.....	191
SMF150HE.....	182	SMK030PDC.....	192	SMK112PB.....	188
SMF150HEC.....	184	SMK030PK.....	189	SMK112PBC.....	191
SMF150LE.....	182	SMK030PKCN.....	192	SMK112PD.....	188
SMF150LEC.....	183	SMK045BB.....	186	SMK112PDC.....	192
SMF150PE.....	183	SMK045BBC.....	189	SMK112PK.....	189
SMF150PEC.....	184	SMK045BK.....	186	SMK112PKC.....	192
SMF150XE.....	183	SMK045BKC.....	189	SMK150BB.....	186
SMF150XEC.....	184	SMK045DB.....	186	SMK150BBC.....	189
SMF167BE.....	182	SMK045DBC.....	190	SMK150BK.....	186
SMF167BEC.....	183	SMK045DK.....	187	SMK150BKC.....	189
SMF167FE.....	182	SMK045DKC.....	190	SMK150DB.....	186
SMF167FEC.....	184	SMK045KB.....	187	SMK150DBC.....	190
SMF167HE.....	182	SMK045KBC.....	190	SMK150DK.....	187
SMF167HEC.....	184	SMK045KD.....	187	SMK150DKC.....	190
SMF167LE.....	182	SMK045KDC.....	191	SMK150KB.....	187
SMF167LEC.....	183	SMK045KK.....	188	SMK150KBC.....	190
SMF167PE.....	183	SMK045KKC.....	191	SMK150KD.....	187
SMF167PEC.....	184	SMK045PB.....	188	SMK150KDC.....	191
SMF167XE.....	183	SMK045PBC.....	191	SMK150KK.....	188
SMF167XEC.....	184	SMK045PD.....	188	SMK150KKC.....	191
SMK015BB.....	186	SMK045PDC.....	192	SMK150PB.....	188
SMK015BBCN.....	189	SMK045PK.....	189	SMK150PBC.....	191
SMK015BK.....	186	SMK045PKC.....	192	SMK150PD.....	188
SMK015BKC.....	189	SMK075BB.....	186	SMK150PDC.....	192
SMK015DB.....	186	SMK075BBC.....	189	SMK150PK.....	189
SMK015DBC.....	190	SMK075BK.....	186	SMK150PKC.....	192
SMK015DK.....	187	SMK075BKC.....	189	SMK225BB.....	186
SMK015DKCN.....	190	SMK075DB.....	186	SMK225BBC.....	189
SMK015KB.....	187	SMK075DBC.....	190	SMK225BK.....	186
SMK015KBCN.....	190	SMK075DK.....	187	SMK225BKC.....	189
SMK015KD.....	187	SMK075DKC.....	190	SMK225DB.....	186
SMK015KDCN.....	191	SMK075KB.....	187	SMK225DBC.....	190
SMK015KK.....	188	SMK075KBC.....	190	SMK225DK.....	187
SMK015KKCN.....	191	SMK075KD.....	187	SMK225DKC.....	190
SMK015PB.....	188	SMK075KDC.....	191	SMK225KB.....	187
SMK015PBCN.....	191	SMK075KK.....	188	SMK225KBC.....	190
SMK015PD.....	188	SMK075KKC.....	191	SMK225KD.....	187
SMK015PDCN.....	192	SMK075PB.....	188	SMK225KDC.....	191
SMK015PK.....	189	SMK075PBC.....	191	SMK225KK.....	188
SMK015PKCN.....	192	SMK075PD.....	188	SMK225KKC.....	191
SMK030BB.....	186	SMK075PDC.....	192	SMK225PB.....	188
SMK030BBC.....	189	SMK075PK.....	189	SMK225PBC.....	191
SMK030BK.....	186	SMK075PKC.....	192	SMK225PD.....	188
SMK030BKC.....	189	SMK112BB.....	186	SMK225PDC.....	192
SMK030DB.....	186	SMK112BBC.....	189	SMK225PK.....	189

GENERAL  
INFORMATION



# GENERAL INFORMATION

## ALPHA NUMERIC PART NUMBER INDEX

Catalog Part No.	Catalog Page No.	Catalog Part No.	Catalog Page No.	Catalog Part No.	Catalog Page No.
SMK225PKC.....	192	SMK750PD.....	188	SMT13K112KBS.....	202
SMK300BB.....	186	SMK750PDC.....	192	SMT13K112KKK.....	205
SMK300BBC.....	189	SMK750PK.....	189	SMT13K112KKS.....	203
SMK300BK.....	186	SMK750PKC.....	192	SMT13K112PBK.....	205
SMK300BKC.....	189	SMT13K015BBKN.....	204	SMT13K112PBS.....	203
SMK300DB.....	186	SMT13K015BBS.....	202	SMT13K112PKK.....	205
SMK300DBC.....	190	SMT13K015BKKN.....	204	SMT13K112PKS.....	203
SMK300DK.....	187	SMT13K015BKS.....	202	SMT13K150BBK.....	204
SMK300DKC.....	190	SMT13K015KBKN.....	204	SMT13K150BBS.....	202
SMK300KB.....	187	SMT13K015KBS.....	202	SMT13K150BKK.....	204
SMK300KBC.....	190	SMT13K015KKKN.....	205	SMT13K150BKS.....	202
SMK300KD.....	187	SMT13K015KKS.....	203	SMT13K150KBK.....	204
SMK300KDC.....	191	SMT13K015PBKN.....	205	SMT13K150KBS.....	202
SMK300KK.....	188	SMT13K015PBS.....	203	SMT13K150KKK.....	205
SMK300KKC.....	191	SMT13K015PKKN.....	205	SMT13K150KKS.....	203
SMK300PB.....	188	SMT13K015PKS.....	203	SMT13K150PBK.....	205
SMK300PBC.....	191	SMT13K030BBKN.....	204	SMT13K150PBS.....	203
SMK300PD.....	188	SMT13K030BBS.....	202	SMT13K150PKK.....	205
SMK300PDC.....	192	SMT13K030BKKN.....	204	SMT13K150PKS.....	203
SMK300PK.....	189	SMT13K030BKS.....	202	SMT13K225BBK.....	204
SMK300PKC.....	192	SMT13K030KBKN.....	204	SMT13K225BBS.....	202
SMK500BB.....	186	SMT13K030KBS.....	202	SMT13K225BKK.....	204
SMK500BBC.....	189	SMT13K030KKKN.....	205	SMT13K225BKS.....	202
SMK500BK.....	186	SMT13K030KKS.....	203	SMT13K225KBK.....	204
SMK500BKC.....	189	SMT13K030PBKN.....	205	SMT13K225KBS.....	202
SMK500DB.....	186	SMT13K030PBS.....	203	SMT13K225KKK.....	205
SMK500DBC.....	190	SMT13K030PKKN.....	205	SMT13K225KKS.....	203
SMK500DK.....	187	SMT13K030PKS.....	203	SMT13K225PBK.....	205
SMK500DKC.....	190	SMT13K045BBK.....	204	SMT13K225PBS.....	203
SMK500KB.....	187	SMT13K045BBS.....	202	SMT13K225PKK.....	205
SMK500KBC.....	190	SMT13K045BKK.....	204	SMT13K225PKS.....	203
SMK500KD.....	187	SMT13K045BKS.....	202	SMT13K300BBK.....	204
SMK500KDC.....	191	SMT13K045KBK.....	204	SMT13K300BBS.....	202
SMK500KK.....	188	SMT13K045KBS.....	202	SMT13K300BKK.....	204
SMK500KKC.....	191	SMT13K045KKK.....	205	SMT13K300BKS.....	202
SMK500PB.....	188	SMT13K045KKS.....	203	SMT13K300KBK.....	204
SMK500PBC.....	191	SMT13K045PBK.....	205	SMT13K300KBS.....	202
SMK500PD.....	188	SMT13K045PBS.....	203	SMT13K300KKK.....	205
SMK500PDC.....	192	SMT13K045PKK.....	205	SMT13K300KKS.....	203
SMK500PK.....	189	SMT13K045PKS.....	203	SMT13K300PBK.....	205
SMK500PKC.....	192	SMT13K075BBK.....	204	SMT13K300PBS.....	203
SMK750BB.....	186	SMT13K075BBS.....	202	SMT13K300PKK.....	205
SMK750BBC.....	189	SMT13K075BKK.....	204	SMT13K300PKS.....	203
SMK750BK.....	186	SMT13K075BKS.....	202	SMT13K500BBK.....	204
SMK750BKC.....	189	SMT13K075KBK.....	204	SMT13K500BBS.....	202
SMK750DB.....	186	SMT13K075KBS.....	202	SMT13K500BKK.....	204
SMK750DBC.....	190	SMT13K075KKK.....	205	SMT13K500BKS.....	202
SMK750DK.....	187	SMT13K075KKS.....	203	SMT13K500KBK.....	204
SMK750DKC.....	190	SMT13K075PBK.....	205	SMT13K500KBS.....	202
SMK750KB.....	187	SMT13K075PBS.....	203	SMT13K500KKK.....	205
SMK750KBC.....	190	SMT13K075PKK.....	205	SMT13K500KKS.....	203
SMK750KD.....	187	SMT13K075PKS.....	203	SMT13K500PBK.....	205
SMK750KDC.....	191	SMT13K112BBK.....	204	SMT13K500PBS.....	203
SMK750KK.....	188	SMT13K112BBS.....	202	SMT13K500PKK.....	205
SMK750KKC.....	191	SMT13K112BKK.....	204	SMT13K500PKS.....	203
SMK750PB.....	188	SMT13K112BKS.....	202	SMT13K750BBK.....	204
SMK750PBC.....	191	SMT13K112KBK.....	204	SMT13K750BBS.....	202

GENERAL  
INFORMATION



# GENERAL INFORMATION

## ALPHA NUMERIC PART NUMBER INDEX

Catalog Part No.	Catalog Page No.	Catalog Part No.	Catalog Page No.	Catalog Part No.	Catalog Page No.
SMT13K750BKK.....	204	SP350KHR.....	48	Y112PKC.....	251
SMT13K750BKS.....	202	SP350MQMJ.....	47	Y112QTC.....	251
SMT13K750KBK.....	204	SP350NJ.....	49	Y150PKC.....	251
SMT13K750KBS.....	202	SP350PR.....	49	Y150QTC.....	251
SMT13K750KKK.....	205	SP350QR.....	47	Y225PKC.....	251
SMT13K750KKS.....	203	SP350SP.....	50	Y225QTC.....	251
SMT13K750PBK.....	205	SP350SR.....	50	Y300PKC.....	251
SMT13K750PBS.....	203	SP5000ACP.....	46	Y500PKC.....	251
SMT13K750PKK.....	205	SP5000MQMJ.....	47		
SMT13K750PKS.....	203	SP500ACP.....	46		
SP1000ACP.....	46	SP500AR.....	46		
SP1000KHP.....	48	SP500KHP.....	48		
SP1000MQMJ.....	47	SP500KHR.....	48		
SP1000NJ.....	49	SP500MQMJ.....	47		
SP1000SP.....	50	SP500NJ.....	49		
SP100ACP.....	46	SP500PR.....	49		
SP100AR.....	46	SP500QR.....	47		
SP100KHP.....	48	SP500SP.....	50		
SP100KHR.....	48	SP500SR.....	50		
SP100MQMJ.....	47	SP50ACP.....	46		
SP100NJ.....	49	SP50AR.....	46		
SP100PR.....	49	SP50KHP.....	48		
SP100QR.....	47	SP50KHR.....	48		
SP100SP.....	50	SP50MQMJ.....	47		
SP100SR.....	50	SP50NJ.....	49		
SP1500ACP.....	46	SP50PR.....	49		
SP1500KHP.....	48	SP50QR.....	47		
SP1500MQMJ.....	47	SP50SP.....	50		
SP1500NJ.....	49	SP50SR.....	50		
SP1500SP.....	50	SP750ACP.....	46		
SP150ACP.....	46	SP750KHP.....	48		
SP150AR.....	46	SP750MQMJ.....	47		
SP150KHP.....	48	SP750NJ.....	49		
SP150KHR.....	48	SP750SP.....	50		
SP150MQMJ.....	47	SPFBAK1.....	51		
SP150NJ.....	49	SPFG1.....	51		
SP150PR.....	49	Y003CECB.....	251		
SP150QR.....	47	Y003PKCB.....	251		
SP150SP.....	50	Y003QTCB.....	251		
SP150SR.....	50	Y006CECB.....	251		
SP2000ACP.....	46	Y006PKCB.....	251		
SP2000MQMJ.....	47	Y006QTCB.....	251		
SP250ACP.....	46	Y009CECB.....	251		
SP250AR.....	46	Y009PKCB.....	251		
SP250KHP.....	48	Y009QTCF.....	251		
SP250KHR.....	48	Y015CECB.....	251		
SP250MQMJ.....	47	Y015PKCB.....	251		
SP250NJ.....	49	Y015QTCF.....	251		
SP250PR.....	49	Y030CECF.....	251		
SP250QR.....	47	Y030PKCF.....	251		
SP250SP.....	50	Y030QTCN.....	251		
SP250SR.....	50	Y045CECF.....	251		
SP3000ACP.....	46	Y045PKCN.....	251		
SP3000MQMJ.....	47	Y045QTC.....	251		
SP350ACP.....	46	Y075CECN.....	251		
SP350AR.....	46	Y075PKCN.....	251		
SP350KHP.....	48	Y075QTC.....	251		

GENERAL  
INFORMATION



# GENERAL INFORMATION

## ALPHA NUMERIC PART NUMBER INDEX

Catalog Part No.	Catalog Page No.	Catalog Part No.	Catalog Page No.	Catalog Part No.	Catalog Page No.
Page Intentionally Left Blank					

GENERAL  
INFORMATION



# GENERAL INFORMATION

**Yes, I am interested in receiving the following information on other HPS Products.**

Literature Name	Code	Qty
Showcase of Products Brochure	SCOPB	_____
Transformer Products Catalog	HTP-15	_____
Medium Voltage Dry-Type Distribution (Power) Transformers	HPWR	_____
Capabilities Brochure	HPSCB8	_____
Energy Efficient Distribution Transformer Brochure	ENEDIS	_____
HPS Spartan® Industrial Open Core & Coil Control Transformer Brochure	SPACON	_____
HPS Imperator® Encapsulated Machine Tool Industrial Control Transformers	ENCCON	_____
HPS Fortress™ Commercial Encapsulated Brochure	FORPOT	_____
HPS Titan® Series Encapsulated Distribution Transformer Brochure	TSETB8	_____
HPS PowerPlus™ Mini Power Center Brochure	PWRPLS11	_____
Installation, Operation & Maintenance Guide - For Dry-Type Transformer Which utilize a NH Series, NJ1, NJ2, NJ3 Or NJ4 Enclosure	IOMGDDI	_____
Installation, Operation & Maintenance Guide - For Single Phase Encapsulated Transformers Up To 50 kVA	IOMGE1PH	_____
Installation, Operation & Maintenance Guide - For Three Phase Encapsulated Transformers Up To 150 kVA	IOMGE3PH	_____
Installation, Operation & Maintenance Guide - For Dry-Type Transformer Which Utilize A NJ6, NJ7 or P Series Enclosure	IOMGPOW	_____

The literature listed above is available either electronically as a free PDF download or paper copies. To access the free PDF versions, please go to "<http://www.hammondpowersolutions.com/more/>". To receive paper copies of any of the catalogs, brochures or flyers shown above, please fill in the information below, photocopy this page and fax it to the following:

**FAX TO: Literature Services**  
 Hammond Power Solutions Inc.  
 Canada: (519) 822-9688  
 U.S.: (608) 356-2080

**E-MAIL: [catalog@hammondpowersolutions.com](mailto:catalog@hammondpowersolutions.com)**  
**Web: [www.hammondpowersolutions.com](http://www.hammondpowersolutions.com)**

My need for Transformer Products is Immediate  Future

Please send me the name of your local HPS Sales Representative

Please provide me with the name of the local Authorized HPS Distributor

Name: \_\_\_\_\_

E-Mail Address: \_\_\_\_\_

Company: \_\_\_\_\_

Address: \_\_\_\_\_

City, State: \_\_\_\_\_

Zip Code: \_\_\_\_\_

Telephone: \_\_\_\_\_

Fax: \_\_\_\_\_

**Please check one:**

- |   |   |
|---|---|
| <input type="checkbox"/> Electrical Distributor | <input type="checkbox"/> Electronic Distributor |
| <input type="checkbox"/> Contractor             | <input type="checkbox"/> Panel Builder          |
| <input type="checkbox"/> MRO                    | <input type="checkbox"/> OEM                    |
| <input type="checkbox"/> Consultant             | <input type="checkbox"/> Engineering Firm       |
| <input type="checkbox"/> Other: _____           |   |

GENERAL INFORMATION

