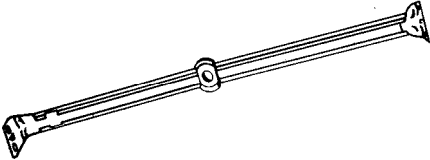
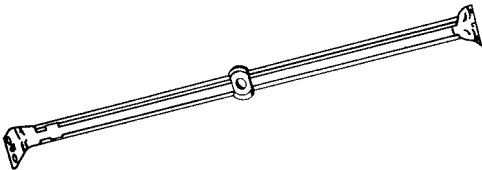
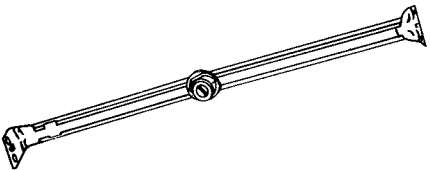
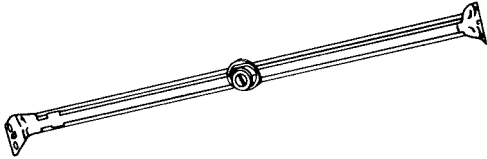


# Adjustable Bar Hangers

With Slide-on Clip and with Slide-on Stud

	Catalog Number *	Description	Wt. Lbs./Kgs. Per 100
<b>With Slide-on Clip</b>			
	SX18	Use between 14", 16", 18" and 20" joists	34.0 15.42
	SX26	Use between 18", 20", 22", 24" and 26" joists OC	50.0/ 22.68
<b>With Slide-on Stud</b>			
	SX115	Use between 14", 16", 18" and 20" joists OC	42.0/ 19.05
	SX160	Use between 18", 20", 22", 24" and 26" joists OC	52.0/ 23.59

Commercial Products

COMMERCIAL PRODUCTS: SWITCH AND OUTLET BOXES AND COVERS

\* Not rated for ceiling fan usage.