

Decorator Standard Grade Switches

AC Quiet Switches
15A, 120/277V/AC



AC Quiet Switches

FEATURES

- Ultrasonic welding and integrated construction of the strap and body provide superior integrity.
- Backwire clamps on the side terminals provide for easy installation of #12 and #14 wire.
- Redesigned paddle for easier actuation and quiet operation.
- Thermoplastic rocker, top and backbody are virtually unbreakable, promising years of durable performance.
- Tri-combo screws accept slotted-, Phillips, and Robertson-head tools for installation flexibility.
- Long, broad mounting strap virtually eliminates floating installations.
- Patented built-in wire stripper for #12 and #14 wire to speed installation.
- Stippled ground screw terminal standard.
- 120/277V/AC rating ideal for fluorescent lighting fixtures typical in commercial applications.
- Push-in terminals accept #14 solid wire.
- Lighted switches glow in "off" position.
- Momentary contact switch operates only when finger pressure is applied; rated 1/2 HP @ 120V/AC for garbage disposals or loads requiring impulse current.
- 5 Year Limited Warranty.

Metal Strap - Back Wire, Side Wire and Push Wire

Rating A	V/AC	Color	Single Pole	Catalog No.	
				3-Way	4-Way
15	120/277	Almond	7501A	7503A	7504A*
		Black	7501BK	7503BK	7504BK*
		Brown	7501B	7503B	7504B*
		Gray	7501GY	7503GY	7504GY*
		Ivory	7501V	7503V	7504V*
		Light Almond	7501LA	7503LA	7504LA*
		White	7501W	7503W	7504W*

*Fed. Spec.

Lighted - Metal Strap - Back Wire, Side Wire and Push Wire

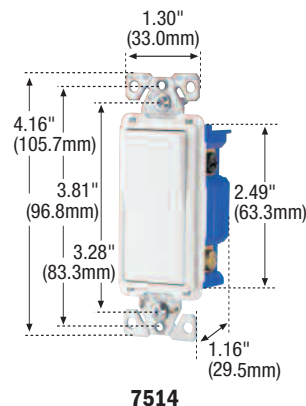
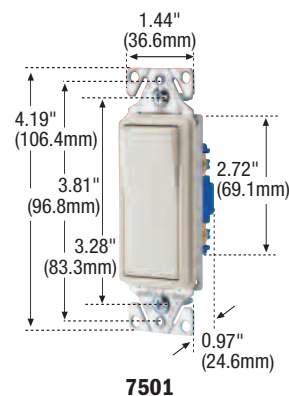
Rating A	V/AC	Color	Single Pole	Catalog No.	
				3-Way	4-Way
15	120/277	Almond	7511A	7513A	—
		Ivory	7511V	7513V	7514V*
		Light Almond	7511LA	7513LA	7514LA*
		White	7511W	7513W	7514W*

* Fed. Spec.

Momentary Contact - Metal Strap - Back Wire, Side Wire and Push Wire

Rating A	V/AC	Color	Catalog No. Single Pole
15	120	Almond	7521A†
		Ivory	7521V†
		Light Almond	7521LA†
		White	7521W†

†NOM certified



B-3 Decorator Devices

TESTING & CODE COMPLIANCE

- UL and cUL Listed, meets all UL 20 requirements, (file no. E18704).
- UL verified to Federal Specification WS-896-E (7504, 7514).

MATERIAL CHARACTERISTICS

Meets flammability requirements per UL 94, V0 rated. Temperature Rating: -20°C to 60°C.