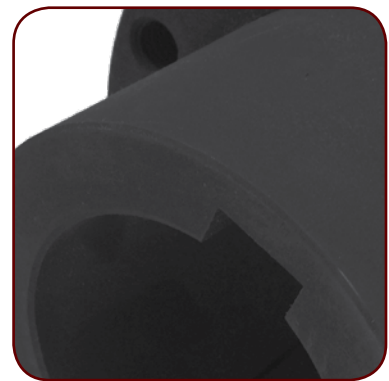


BUSHINGS

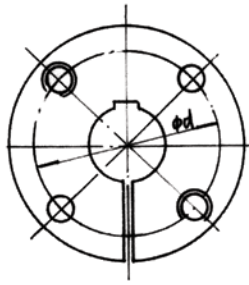
IDC Select® bushings are available in H, QD®, TAPER-LOCK®, and split taper designs and are available in inch and metric sizes. They are stocked in popular finished bore sizes. All IDC Select® bushings are fully interchangeable with industry standard designs.



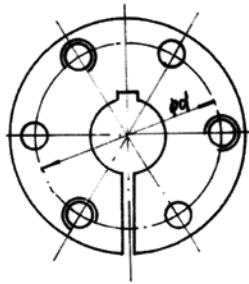
IDC SELECT® SHEAVES & BUSHINGS

BUSHINGS

H AND QD® BUSHINGS



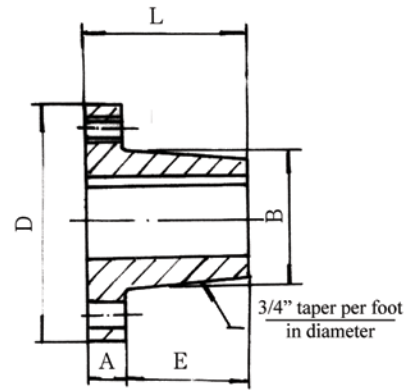
Bushing
H



Bushing
JA to J



Bushing
M



BUSHINGS

H & QD® BUSHINGS - DIMENSIONS (in)									
Bushing	A	B	D	E	L	Bolt Circle Diameter	Cap Screws Grade 5		Average Weight
							Qty	Size	
H	1/4	1.625	2 1/2	1	1 1/4	2	2	1/4 x 3/4	0.80
JA	5/16	1.375	2	1 1/16	1	1.665	3	10 x 1	0.80
SH	7/16	1.871	2 11/16	7/8	1 9/16	2 1/4	3	1/4 x 1 3/8	1.00
SDS	7/16	2.187	3 1/8	7/8	1 5/16	2 11/16	3	1/4 x 1 3/8	1.20
SD	7/16	2.187	3 1/8	1 3/8	1 13/16	2 11/16	3	1/4 x 1 7/8	1.50
SK	9/16	2.812	3 7/8	1 3/8	1 5/16	3 5/16	3	5/16 x 2	2.00
SF	5/8	3.125	4 5/8	1 7/16	2 1/16	3 7/8	3	3/8 x 2	3.50
E	7/8	3.834	6	1 7/8	2 3/4	5	3	1/2 x 2 3/4	9.00
F	1	4.437	6 5/8	2 3/4	3 3/4	5 5/8	3	9/16 x 3 5/8	14.00
J	1 1/8	5.148	7 1/4	3 1/2	4 5/8	6 1/4	3	5/8 x 4 1/2	22.00
M	1 1/4	6.500	9	5 1/2	6 3/4	7 7/8	4	3/4 x 6 3/4	51.00



Bushing	Bore Range (in)	Keyseat (in)
H	3/8, 7/16, 1/2, 9/16	1/8 x 1/16
	5/8, 1 1/16, 3/4, 13/16, 7/8	3/16 x 3/32
	1 5/16, 1, 1 1/16, 1 1/8, 1 3/16, 1 1/4	1/4 x 1/8
	1 5/16, 1 3/8	5/16 x 1/16*
	1 7/16, 1 1/2	3/8 x 1/16*
JA	7/16, 1/2, 9/16	1/8 x 1/16
	5/8, 1 1/16, 3/4, 13/16, 7/8	3/16 x 3/32
	1 5/16, 1	1/4 x 1/8
	1 1/16, 1 1/8, 1 3/16	1/4 x 1/16*
	1 1/4	No Key
SH	1/2, 9/16	1/8 x 1/16
	5/8, 1 1/16, 3/4, 13/16, 7/8	3/16 x 3/32
	1 5/16, 1, 1 1/16, 1 1/8, 1 3/16, 1 1/4	1/4 x 1/8
	1 5/16, 1 3/8	5/16 x 5/32
	1 7/16, 1 1/2, 1 9/16, 1 5/8	3/8 x 1/16*
	1 11/16	No Key
SDS	1/2, 9/16	1/8 x 1/16
	5/8, 1 1/16, 3/4, 13/16, 7/8	3/16 x 3/32
	1 5/16, 1, 1 1/16, 1 1/8, 1 3/16, 1 1/4	1/4 x 1/8
	1 5/16, 1 3/8	5/16 x 5/32
	1 7/16, 1 1/2, 1 9/16, 1 5/8, 1 11/16	3/8 x 3/16
	1 3/4	3/8 x 1/8*
	1 13/16	1/2 x 1/8*
	1 7/8, 1 15/16	1/2 x 1/16*
	2	No Key

Bushing	Bore Range (in)	Keyseat (in)
SD	1/2, 9/16	1/8 x 1/16
	5/8, 1 1/16, 3/4, 13/16, 7/8	3/16 x 3/32
	1 5/16, 1, 1 1/16, 1 1/8, 1 3/16, 1 1/4	1/4 x 1/8
	1 5/16, 1 3/8	5/16 x 5/32
	1 7/16, 1 1/2, 1 9/16, 1 5/8, 1 11/16	3/8 x 3/16
	1 3/4	3/8 x 1/8*
	1 13/16	1/2 x 1/8*
	1 7/8, 1 15/16	1/2 x 1/16*
	2	No Key
SK	1/2, 9/16	1/8 x 1/16
	5/8, 1 1/16, 3/4, 13/16, 7/8	3/16 x 3/32
	1 5/16, 1, 1 1/16, 1 1/8, 1 3/16, 1 1/4	1/4 x 1/8
	1 5/16, 1 3/8	5/16 x 5/32
	1 7/16, 1 1/2, 1 9/16, 1 5/8, 1 11/16, 1 3/4	3/8 x 3/16
	1 13/16, 1 7/8, 1 15/16, 2, 2 1/16, 2 1/8	1/2 x 1/4
	2 3/16, 2 1/4	1/2 x 1/8*
	2 5/16, 2 3/8, 2 7/16, 2 1/2	5/8 x 1/16*
	2 5/8, 2 9/16	No Key
SF	1/2, 9/16	1/8 x 1/16
	5/8, 1 1/16, 3/4, 13/16, 7/8	3/16 x 3/32
	1 5/16, 1, 1 1/16, 1 1/8, 1 3/16, 1 1/4	1/4 x 1/8
	1 5/16, 1 3/8	5/16 x 5/32
	1 7/16, 1 1/2, 1 9/16, 1 5/8, 1 11/16, 1 3/4	3/8 x 3/16
	1 13/16, 1 7/8, 1 15/16, 2, 2 1/16	1/2 x 1/4
	2 1/8, 2 3/16, 2 1/4	1/2 x 1/8
	2 1/4**	5/8 x 5/16
	2 5/16, 2 3/8, 2 7/16, 2 1/2	5/8 x 3/16*
	2 5/8, 2 11/16, 2 3/4, 2 9/16	5/8 x 1/16*
	2 13/16, 2 7/8	3/4 x 1/16*
	2 15/16	No Key

*Shallow keyseat – keystack is supplied with bushing

**Special key size

IDC SELECT® SHEAVES & BUSHINGS

BUSHINGS

H AND QD® BUSHINGS



BUSHINGS

Bushing	Bore Range (in)	Keyseat (in)
E	7/8, 15/16 1, 1 1/16, 1 1/8, 1 3/16, 1 1/4 1 5/16, 1 3/8 1 7/16, 1 1/2, 1 9/16, 1 5/8, 1 11/16, 1 3/4 1 13/16, 1 7/8, 1 15/16, 2, 2 1/16 2 1/8, 2 3/16, 2 1/4 2 5/16, 2 3/8, 2 7/16, 2 1/2, 2 9/16, 2 5/8 2 11/16, 2 3/4 2 13/16, 2 7/8 2 15/16, 3, 3 1/16, 3 1/8, 3 3/16, 3 1/4 3 5/16, 3 3/8, 3 7/16 3 1/2	3/16 X 3/32 1/4 X 1/8 5/16 X 5/32 3/8 X 3/16 1/2 X 1/4 1/2 X 1/4 5/8 X 5/16 5/8 X 5/16 3/4 X 3/8 3/4 X 1/8* 7/8 X 1/16* No Key
F	1, 1 1/16, 1 1/8, 1 3/16, 1 1/4 1 5/16, 1 3/8 1 7/16, 1 1/2, 1 9/16, 1 5/8, 1 11/16, 1 3/4 1 13/16, 1 7/8, 1 15/16, 2, 2 1/16 2 1/8, 2 3/16, 2 1/4 2 5/16, 2 3/8, 2 7/16, 2 1/2, 2 5/8, 2 9/16 2 11/16, 2 3/4 2 13/16, 2 7/8, 2 15/16, 3, 3 1/16 3 1/8, 3 3/16, 3 1/4 3 5/16, 3 3/8, 3 7/16, 3 1/2, 3 9/16 3 5/8, 3 11/16, 3 3/4 3 7/8, 3 15/16 4	1/4 X 1/8 5/16 X 5/32 3/8 X 3/16 1/2 X 1/4 1/2 X 1/4 5/8 X 5/16 5/8 X 5/16 3/4 X 3/8 3/4 X 3/8 7/8 X 3/16* 7/8 X 3/16* 1 X 1/8* No Key
J	1 7/16, 1 1/2, 1 9/16, 1 5/8, 1 11/16, 1 3/4 1 7/8, 1 15/16, 2, 2 1/16 2 1/8, 2 3/16, 2 1/4 2 5/16, 2 3/8, 2 7/16, 2 1/2, 2 9/16, 2 5/8 2 11/16, 2 3/4, 2 13/16 2 7/8, 2 15/16, 3, 3 1/16 3 1/8, 3 3/16, 3 1/4 3 5/16, 3 3/8, 3 7/16, 3 1/2, 3 11/16 3 5/8, 3 11/16, 3 3/4 3 13/16, 3 7/8, 3 15/16 4, 4 1/8, 4 3/16, 4 1/4, 4 3/8, 4 7/16, 4 1/2	3/8 X 3/16 1/2 X 1/4 1/2 X 1/4 5/8 X 5/16 5/8 X 5/16 3/4 X 3/8 3/4 X 3/8 7/8 X 7/16 7/8 X 7/16* 1 X 3/8* 1 X 1/8*
M	1 15/16, 2, 2 1/16, 2 1/8 2 3/16, 2 1/4, 2 5/16 2 3/8, 2 7/16, 2 1/2, 2 9/16, 2 5/8 2 11/16, 2 3/4, 2 13/16 2 7/8, 2 15/16, 3, 3 1/16 3 1/8, 3 3/16, 3 1/4, 3 5/16 3 3/8, 3 7/16, 3 1/2, 3 9/16 3 5/8, 3 11/16, 3 3/4 3 13/16, 3 7/8, 3 15/16 4, 4 1/8, 4 3/16, 4 1/4, 4 3/8, 4 7/16, 4 1/2 4 5/8, 4 11/16, 4 3/4, 4 13/16 4 7/8, 4 15/16, 5, 5 1/4, 5 7/16, 5 1/2	1/2 X 1/4 1/2 X 1/4 5/8 X 5/16 5/8 X 5/16 3/4 X 3/8 3/4 X 3/8 7/8 X 7/16 7/8 X 7/16 1 X 1/2 1 X 1/2 1 1/4 X 5/8 1 1/4 X 1/4*
N	CALL FOR AVAILABILITY	
P	CALL FOR AVAILABILITY	

Bushing	Bore Range (mm)	Keyseat (mm)
H	10, 11 14, 15, 16 18, 19, 20, 22 24, 25, 28, 30 32, 35, 38	No Key 5 x 2.5 6 x 3 8 x 3.5 10 x 4
JA	15, 16 19, 20 24, 25, 28	5 x 2.5 6 x 3 8 x 3.5
SH	20, 22 24, 25, 28, 30 32, 35, 38	6 x 3 8 x 3.5 10 x 4
SDS	24, 25, 28, 30 32, 35, 38 40, 42	8 x 3.5 10 x 4 12 x 4
SD	24, 25, 28, 30 32, 35, 38 40, 42	8 x 3.5 10 x 4 12 x 4
SK	14 24, 25, 28, 30 32, 35, 38 40, 42 45, 48, 50 55 60	5 x 2.5 8 x 3.5 10 x 4 12 x 4 14 x 4.5 16 x 5 18 x 5.5
SF	28, 30 32, 35, 38 40, 42 45, 48, 50 55 60, 65	8 x 3.5 10 x 4 12 x 4 14 x 4.5 16 x 5 18 x 5.5
E	35, 38 40, 42 45, 48, 50 55 60, 65 70, 75 80	10 x 4 12 x 4 14 x 4.5 16 x 5 18 x 5.5 20 x 6 22 x 7
F	42 45, 48, 50 55 60, 65 70, 75 80, 85 90	12 x 4 14 x 4.5 16 x 5 18 x 5.5 20 x 6 22 x 7 25 x 7
J	50 55 60, 65 70, 75 80, 85 90, 95 100	14 x 4.5 16 x 5 18 x 5.5 20 x 6 22 x 7 25 x 7 28 x 8

*Shallow keyseat – keystock is supplied with bushing.