

P400MLTAC4L

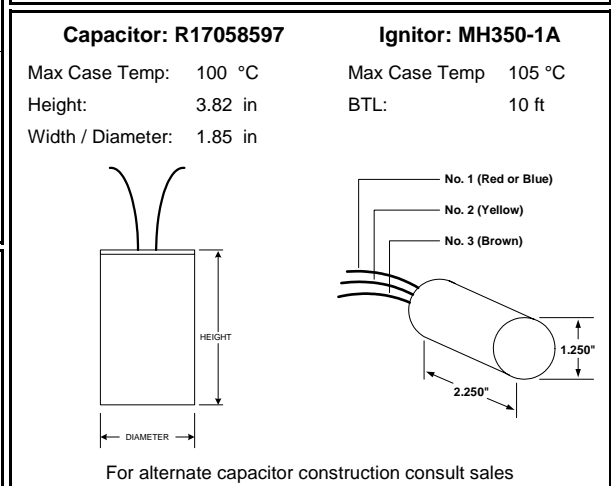
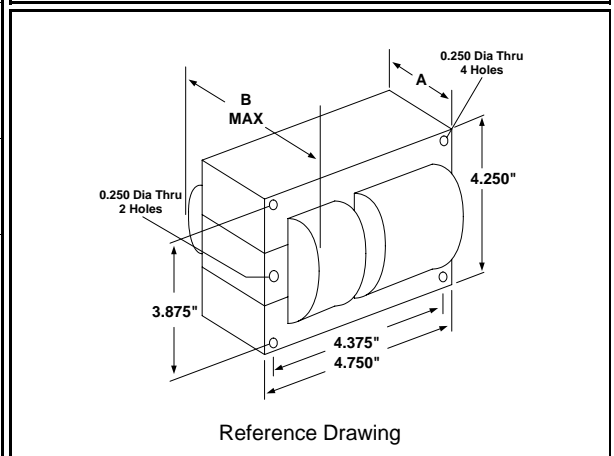
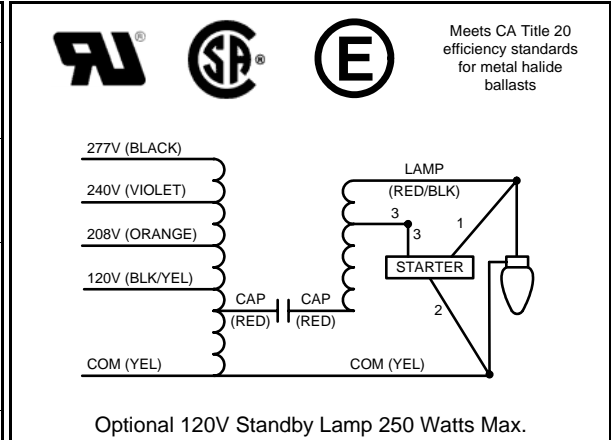
400W M155/M135 / M128/M172

Pulse Start Metal Halide

60Hz CWA

Specification Sheet

Input Volts	120	208	240	277
Regulation				
Line Volts	±10%	±10%	±10%	±10%
Lamp Watts	±10%	±10%	±10%	±10%
Power Factor (min)	90%	90%	90%	90%
Input Watts	454 W	454 W	454 W	454 W
NOM. Open Circuit Voltage	280 V	280 V	280 V	280 V
Line Current (Amps)				
Operating	3.90	2.25	1.95	1.70
Open Circuit	3.20	1.75	1.60	1.45
Starting	2.40	1.40	1.20	1.05
Recommended Fuse (Amps)	10	7	5	5
Lamp Dropout Voltage (Line)	60 V	105 V	125 V	140 V
UL Temperature Ratings				
Insulation Class	H (180°C)	H (180°C)	H (180°C)	H (180°C)
Temperature Code	B	B	B	C
MIN. Starting Temperature	-22°F -30°C	-22°F -30°C	-22°F -30°C	-22°F -30°C
CAPACITOR Specifications				
Microfarads	26 uf	26 uf	26 uf	26 uf
Volts (min.)	330 V	330 V	330 V	330 V
60Hz Test Procedures				
High Potential Test 1 Minute	2000 V	2000 V	2000 V	2000 V
High Potential Test 1 Second	2500 V	2500 V	2500 V	2500 V
Secondary Open Ckt Voltage (V)	250 - 310	250 - 310	250 - 310	250 - 310
Secondary Current Shorted (A)	3.50 - 4.25	3.50 - 4.25	3.50 - 4.25	3.50 - 4.25
Input Operating Current (A)	3.50 - 4.30	2.00 - 2.50	1.75 - 2.15	1.55 - 1.85
Input Open Circuit Current (A)	1.50 - 4.35	0.90 - 2.60	0.75 - 2.20	0.70 - 2.00
Input Short Circuit Current (A)	1.65 - 2.80	0.90 - 1.60	0.80 - 1.40	0.65 - 1.15
Core and Coil Specifications				
Dimension A	2.30 in	2.30 in	2.30 in	2.30 in
Dimension B	4.20 in	4.20 in	4.20 in	4.20 in
Weight	11 lbs	11 lbs	11 lbs	11 lbs
Lead Lengths (inches)	12-14	12-14	12-14	12-14
Coil Material (Pri. / Sec.):	Al / Al	Al / Al	Al / Al	Al / Al



Document #:	010-13247-01
Date:	3/1/2010
Status:	Production
Replaces Catalog #:	New Design

Data is based upon tests performed by Universal Lighting Technologies in a controlled environment and is representative of relative performance. Actual performance may vary depending on operating conditions. Specifications are subject to change without notice.