



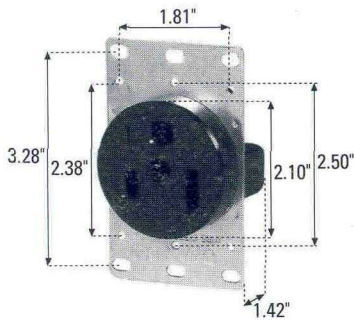
# Commercial Specification Grade Straight Blade Power Devices

2 Pole, 3 Wire Grounding  
NEMA 5-50, 6-30, 6-50  
50A 125V, 30A 250V  
50A 250V

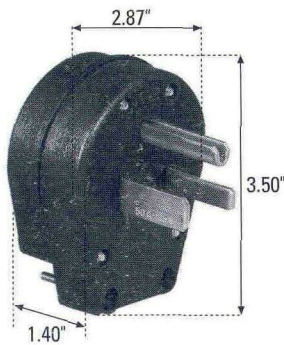


**C15**

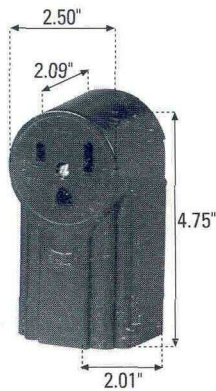
**Straight  
Blade  
Receptacles**



1253



41



1252

## Power Devices

### Features:

- Meets all UL498 requirements.
- Heavy gauge steel mounting strap zinc-plated for corrosion resistance.
- Receptacles for use with copper or aluminum wire, 75° C rated terminals.
- Surface receptacles have patented lay-in terminals and accept up to #4 wire.
- Universal plugs include blades for 30 Amp

or 50 Amp configurations.

- Surface receptacles 3/4" and 1" concentric knockouts and adjustable cord clamp allow for wiring from bottom or back.
- Flush receptacles fit one or two gang enclosures.
- Made in USA.

### NEMA 5-50 Rating 50A 125V

#### Receptacles

Description	Color	Catalog No.
Surface	Black	1251
Flush	Brown	1253

#### Plugs

Description	Color	Catalog No.
Angle Universal – Vinyl	Black	41

### NEMA 6-30 Rating 30A 250V

#### Receptacles

Description	Color	Catalog No.
Surface	Black	1232
Flush	Brown	1234
Flush with 1 Gang Brass Finish Wall Plate	Brown	4234

#### Plugs

Description	Color	Catalog No.
Angle Universal – Vinyl	Black	42

### NEMA 6-50 Rating 50A 250V

#### Receptacles

Description	Color	Catalog No.
Surface	Black	1252
Flush	Brown	1254

#### Plugs

Description	Color	Catalog No.
Angle Universal – Vinyl	Black	42



5-50R



5-50P



6-30R



6-30P



6-50R



6-50P