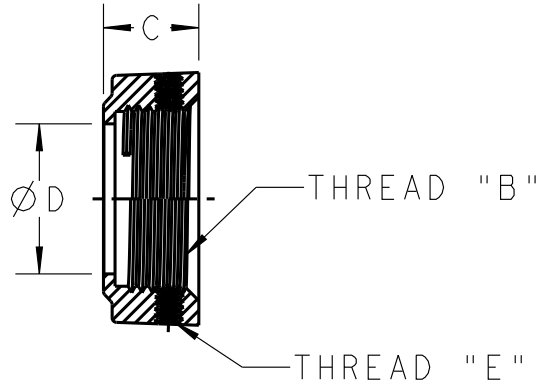
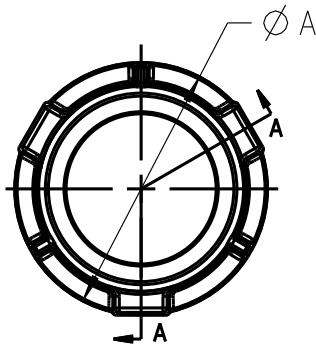




Steel City



MATERIAL: SEE TABLE
FINISH: ZINC PLATED

T&B CAT NO.	Ø A [IN]	B NPSM THREAD	C [IN]	Ø D [IN]	E UNC THREAD	MATERIAL
BU 401	1.13	1/2" - 14	.56	.612±.010	#10-24	MALLEABLE IRON
BU 402	1.40	3/4" - 14	.56	.814±.010	#10-24	MALLEABLE IRON
BU 403	1.75	1" - 11 1/2	.66	1.039±.010	#10-24	MALLEABLE IRON
BU 404	2.12	1 1/4" - 11 1/2	.66	1.360±.020	#10-24	MALLEABLE IRON
BU 405	2.34	1 1/2" - 11 1/2	.72	1.590±.020	#10-24	MALLEABLE IRON
BU 406	2.73	2" - 11 1/2	.72	2.047±.020	#10-24	MALLEABLE IRON
BI 407	3.25	2-1/2" - 8	.94	2.439±.030	1/4" - 20	DUCTILE IRON
BI 408	3.86	3" - 8	.94	3.038±.030	1/4" - 20	DUCTILE IRON
BI 409	4.38	3-1/2" - 8	.94	3.518±.030	1/4" - 20	DUCTILE IRON
BI 410	4.88	4" - 8	.94	3.996±.030	1/4" - 20	DUCTILE IRON

GENERAL NOTES

- ALL DIMENSIONS ARE FOR REFERENCE ONLY.
- DIMENSIONS IN BRACKETS [] ARE IN METRIC UNITS.

www.tnb.com

Thomas & Betts
A Member of the ABB Group

DESCRIPTION:

RIGID/IMC CONDUIT BUSHING

REVISIONS

** SEE ERN (****)
FOR APPROVAL SIGNATURES
& RELEASE DATE.
PROJECT NO: ****

ORIGINAL PROJECT NO / (ERN NO)

117P000680 / (2016374)

SHEET NO:

1 OF 1

REV. NO:

-

DRAWING NO:

WSD-001491