

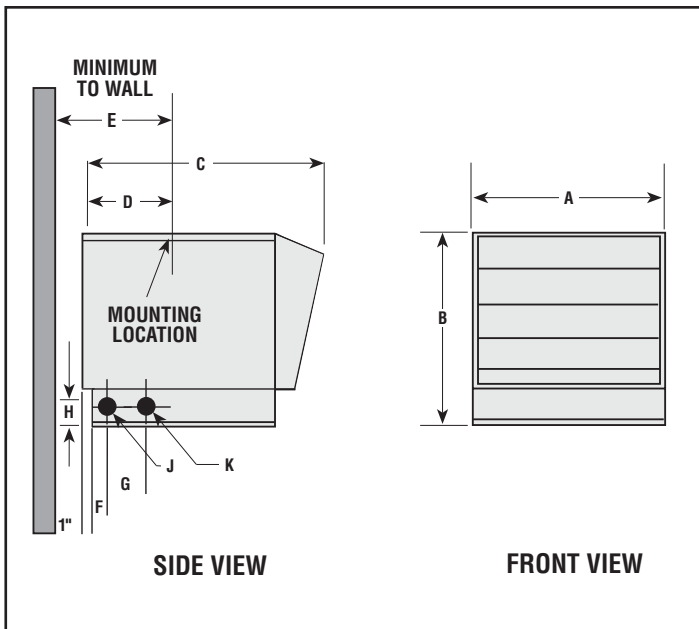
Specifications

Model No.	Wattage (KW)	Btu/Hr.	Heater Voltage	Wiring Phase	Mounting Height ft. (mm)		Air Throw ft. (mm)	Center of Heater to Wall inches (mm)	Ship Wt. lb. (kg)
					Min.	Max.			
UH520 UH524 UH534 UH548 UH560	5.0	17,065	208 240 347 480 600	1* 1* 1 3 3	6 (1828)	8 (2486)	18 (5486)	13 (333)***	30 (13.60)
UH720 UH724 UH727 UH734 UH748 UH760	7.5	25,598	208 240 277 347 480 600	1* 1* 1 1 3** 3	6 (1828)	8 (2436)	20 (6096)	13 (333)***	30 (13.60)
UH1020 UH1024 UH1027 UH1034 UH1048 UH1060	10.0	34,130	208 240 277 347 480 600	1* 1* 1 1 3** 3	6 (1828)	9 (2743)	20 (6096)	13 (333)	72 (32.66)
UH1520 UH1524 UH1527 UH1534 UH1548 UH1560	15.0	51,195	208 240 277 347 480 600	3** 3** 1 1 3** 3	6 (1828)	10 (3048)	28 (8534)	13 (333)	78 (35.38)
UH2034 UH2048 UH2060	20.0	68,260	347 480 600	1 3** 3	6 (1828)	11 (3352)	32 (9753)	16 (406)	78 (35.38)
UH2548 UH2560	25.0	85,325	480 600	3 3	6 (1828)	15 (4572)	34 (10360)	20 (508)	136 (61.69)
UH3048 UH3060	30.0	102,390	480 600	3 3	6 (1828)	15 (4572)	38 (11582)	20 (508)	142 (64.40)

* Factory wired for 1 Phase - Field convertible to 3 Phase.

** Factory wired for 3 Phase - Field convertible to 1 Phase.

*** 48 in. (1219) for 45 deg. to vertical downward.



GENERAL INFORMATION

Automatic Fan Delay: All models incorporate an automatic fan delay. When the thermostat calls for heat, fan action is delayed momentarily until the heating element is warm. When the thermostat is satisfied, the fan continues to operate until the heating element is cool. This action prevents circulation of cold air, and avoids exposing unit to residual heat, thus providing higher comfort level and prolonged element life.

Optional Controls and Accessories: The following controls and accessories are available from your electrical distributor.

Dim. inches (mm)	Heater Size		
	5 - 7.5 KW	10 - 20 KW	25 - 30 KW
A	14 (354)	18 (457)	26 (660)
B	12 ¹ / ₂ (317)	18 (457)	24 (609)
C	12 ¹ / ₂ (317)	17 ¹ / ₂ (444)	23 ¹ / ₈ (587)
D	5 ¹ / ₂ (139)	9 ¹⁵ / ₃₂ (240)	9 ¹⁵ / ₃₂ (240)
E	13 (330)	#	20 (508)
F	1 ³ / ₄ (44)	2 (51)	2 (51)
G	1 ³ / ₈ (35)	2 ¹ / ₂ (63)	2 ³ / ₄ (70)
H	1 ¹ / ₂ (38)	2 ¹ / ₄ (57)	2 ¹ / ₄ (57)
J	1/2 (12.7) 3/4 (19.7)	3/4 (19.1) 1 (25.4)	1 (25.4) 1 ¹ / ₂ (38)
K	1/2 (12.7)	1 (25.4) 1 ¹ / ₄ (32) 1 ¹ / ₂ (38)	1 (25.4) 1 ¹ / ₂ (38) 2 (50.8)
Wiring Compartment Volume	60 in ³ (968 cm ³)	105 in ³ (1720 cm ³)	288 in ³ (4720 cm ³)

13" (330 cm) for 10KW, 12.5KW, and 15KW; 16" (40.5 cm) for 20KW heaters

Catalog Number	Description
CWB-1	Combination wall brackets for 2.5 kw thru 15 kw units.
CWB-2	Same as above but for 20 kw thru 50 kw units
TA-1	Single pole thermostat kit 60 to 120° F temp. range for field installation in all units.
DS-30	3-pole power disconnect switch kit for field installation on unit heaters rated 30 amps or less.
DS-63	3-pole power disconnect switch kit for field installation on unit heaters 10kw and above rated at 30 to 63 amps.