



Mark 10 Powerline

MARK 10 POWERLINE REZ2S32SC35M

For companies looking to make their fixed-output linear T8, 4-pin CFL, and T5/HO fluorescent systems more cost effective and sustainable, Mark 10 Powerline ballasts provide an easy solution without the need for additional control leads. Simply, (1) replace the ballast, (2) replace the switch, (3) dim the lights, that is all it takes. It's that easy to bring the convenience and flexibility of fluorescent dimming to conference rooms, private offices, auditoriums, architectural cove lighting – anywhere dimming is required.

Product data

General Information		Input Power (Min)		15 W	
Lamp Type	F32T8	Rated Lamp Power	32W W		
Number Of Lamps	2 piece/unit	Wiring			
Ballast Type	Dimmable Fluorescent	Color Input Terminals	No terminals		
Base Model	REZ2S32SC	Color Output Terminals	No terminals		
Suitable For Outdoor Use	Yes	Wire Striplength	0.50/0.375 mm		
Automatic Restart	Yes	Control Wire Gauge	NA		
Operating and Electrical		Lamp Connection	Series		
Input Voltage	120 V	Wire Length By Color	See data sheet		
Input Frequency	60 Hz	Wire Gauge (Nom)	18AWG mm		
Total Harmonic Distortion USA	10 %	Wire Type	Solid		
Ignition Method	Programmed Start	Remote Wiring Configuration Allowed	Yes		
Crestfactor (Nom)	1.6	Tandem Wiring Configuration Allowed	Yes		
Ignition Time (Nom)	1.5 s	Through Wiring Configuration Allowed	Yes		
Ballast Factor (Max)	1	Max Ballast-Lamp Distance Remote Wiring	6'		
Ballast Factor (Min)	0.05	Max Ballast-Lamp Distance Tandem Wiring	Any = 6'		
Power Factor (Nom)	0.99	Max Ballast-Lamp Distance Through Wiring	Any = 6'		
Input Current (Nom)	0.57 A	Connector Type	No connector		
Input Power (Max)	68 W				

Mark 10 Powerline

Temperature

T-Case Maximum (Nom)	70 °C
----------------------	-------

Mechanical and Housing

Housing Material	Metal
Housing	SC
Housing Dimensions	9.5" x 1.7" x 1.18"

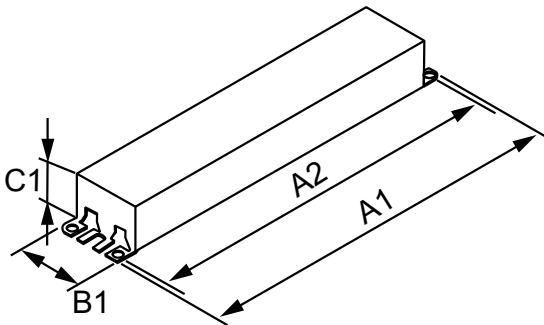
Approval and Application

EMC Immunity Standard	FCC Consumer
Hum And Noise Level	A
UL Recognized	No

Product Data

Order product name	MARK 10 POWERLINE REZ2S32SC35M
EAN/UPC - Product	781087109908
Order code	913700501621
Numerator - Quantity Per Pack	1
Numerator - Packs per outer box	20
Material Nr. (12NC)	913700501621
Net Weight (Piece)	0.487 kg

Dimensional drawing



ELE DIMMING BALLAST (2) F32T8 120V

Product	A1	A2	B1	C1
MARK 10 POWERLINE REZ2S32SC35M	9.5 in	8.90 in	1.7 in	1.18 in

