

# Brackets

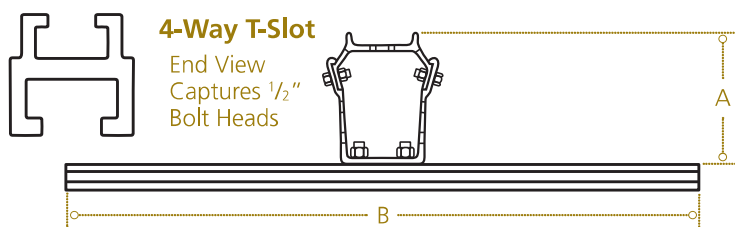
AERIAL  
INSTALLATION

## CONDUIT BRACKETS

A multi-purpose bracket for mounting 1" through 6" conduit in a variety of ways. Bracket will mount up to four 6" conduits with unlimited adjustability. 4-Way T-Slot extrusion eliminates field drilling. Unit mounts to the pole on 3 5/8" hole centers using 5/8" thru-bolt and 1/2" lag (not supplied). Conduit straps are not included; see below. Additional T-Slot Shapes are available on the following pages.



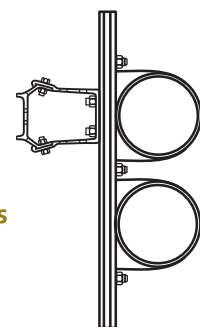
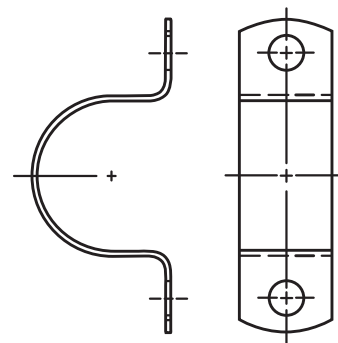
Catalog Number	Dimensions Inches		Approx Ship Wt lb Each
	A	B	
C6CS0	6	N/A	2.31
C6CS06	6	6	3.03
C6CS08	6	8	3.10
C6CS012	6	12	3.50
C6CS024	6	24	4.85
C6CS036	6	36	5.81
C9CS012	9	12	4.81
C9CS024	9	24	6.02
C9CS036	9	36	7.88



## CONDUIT STRAP KITS

Strap Kits with the following variations are available for use with the Conduit Brackets above. The straps have two holes for mounting one conduit section. Each Strap Kit contains a strap, two each 1/2" x 1 1/4" hex head bolts, lockwashers and hex nuts.

Catalog Number	Conduit Size	Dimensions Inches				Approx Ship Wt lb Each
		A	B	C	D	
CSTK1	1	1 3/8	3	4 1/8	1 1/4	0.30
CSTK15	1 1/2	1 7/8	3 1/2	4 5/8	1 7/8	0.35
CSTK2	2	2 3/8	3 5/16	5 1/16	2 1/4	0.40
CSTK25	2 1/2	2 7/8	4 7/16	5 9/16	2 3/4	0.45
CSTK3	3	3 1/2	5 1/16	6 3/16	3 3/8	0.50
CSTK35	3 1/2	4	5 9/16	6 11/16	3 5/16	0.60
CSTK4	4	4 1/2	6 1/16	7 3/16	5 3/8	0.65
CSTK5	5	5 9/16	7 1/8	8 1/4	5 1/2	0.70
CSTK6	6	6 5/8	8 3/8	9 5/16	6 1/2	0.75



Typical Installations

