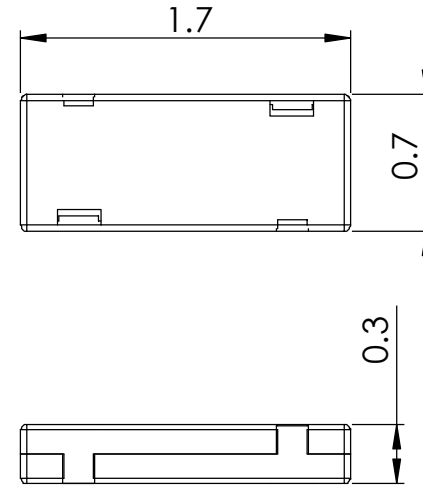
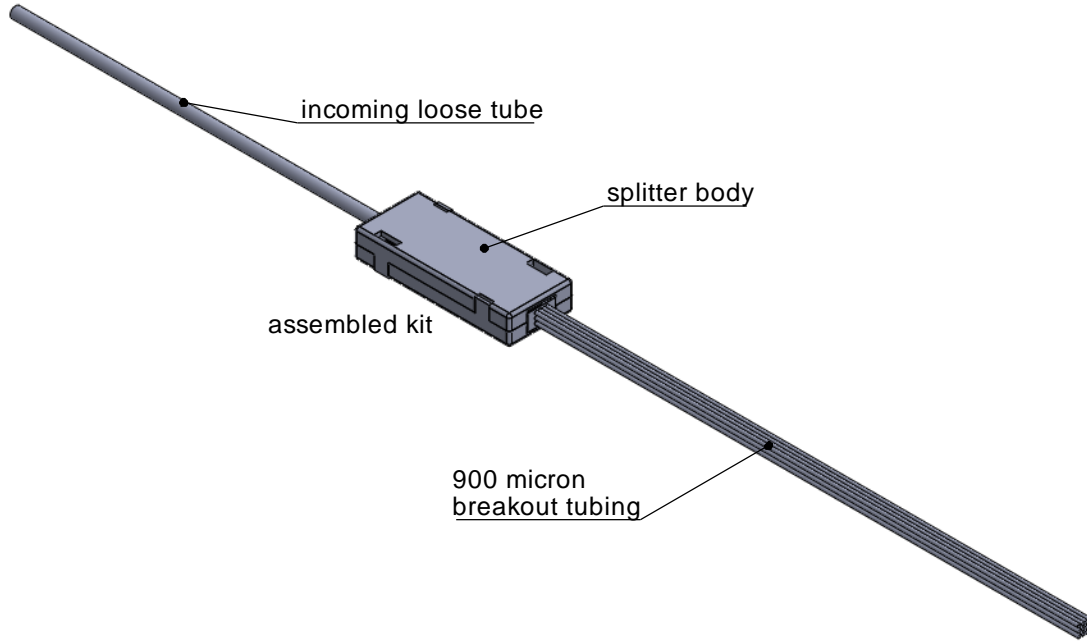
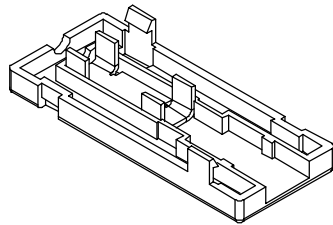


SPKL Series Fiber Optic Splitter Kits

Modify loose tube fiber cables to enable direct termination of industry standard 900um connectors.

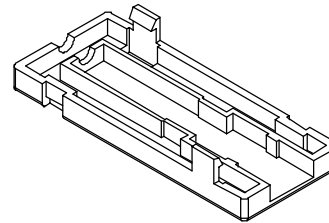


Components:



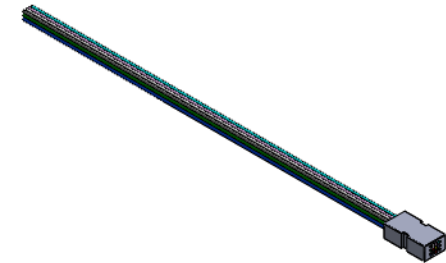
SPKL Base

The SPKL Base contains the retainer clip, which is field crimped to the loose tube of the fiber cable.



SPKL Cover

The SPKL Cover snaps onto the base once the loose tube is crimped and the fibers have been routed through the terminal assembly.



SPKL Breakout Assembly

The SPKL Breakout Assembly includes the 900um color coded furcation tubes. Fibers route through the tubes for direct termination.

*not shown: instruction sheet

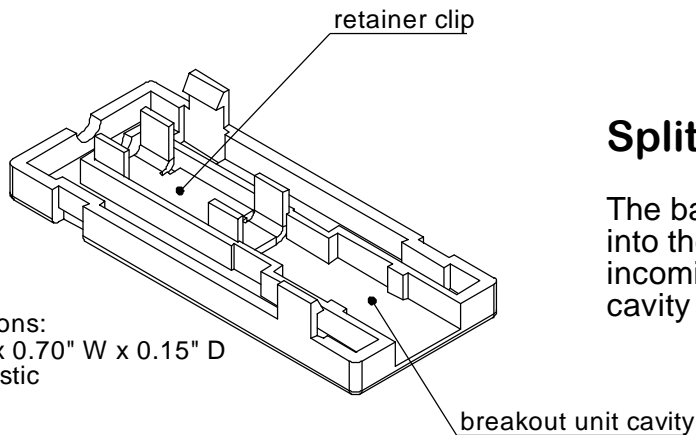
PROPRIETARY AND CONFIDENTIAL

THE INFORMATION CONTAINED IN THIS DRAWING IS THE SOLE PROPERTY OF Opticonx, Inc. ANY REPRODUCTION IN PART OR AS A WHOLE WITHOUT THE WRITTEN PERMISSION OF Opticonx, Inc. IS PROHIBITED.



www.opticonx.com

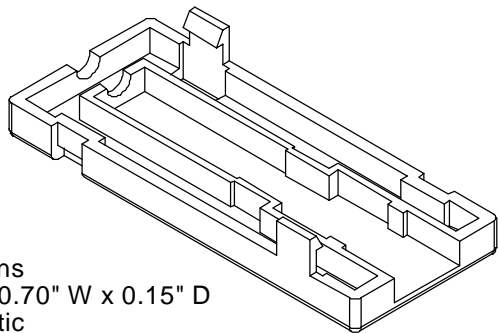
Drawn By: PCS
Approved By: PL
Date: 1/21/15
Rev: A



Dimensions:
 1.70" L x 0.70" W x 0.15" D
 ABS Plastic
 Black

Splitter Kit Base Unit

The base unit includes a 4 prong aluminum retainer clip fit into the base retention clip cavity. The clip secures the incoming loose tube to the splitter kit. The breakout unit cavity holds the breakout unit assembly to the base.



Dimensions
 1.70" L x 0.70" W x 0.15" D
 ABS Plastic
 Black

Splitter Kit Cover Unit

The splitter kit cover unit snaps on to the base unit to secure the breakout unit and protect the exposed bare fibers.

PROPRIETARY AND CONFIDENTIAL

THE INFORMATION CONTAINED IN THIS DRAWING IS THE SOLE PROPERTY OF Opticonx, Inc. ANY REPRODUCTION IN PART OR AS A WHOLE WITHOUT THE WRITTEN PERMISSION OF Opticonx, Inc. IS PROHIBITED.

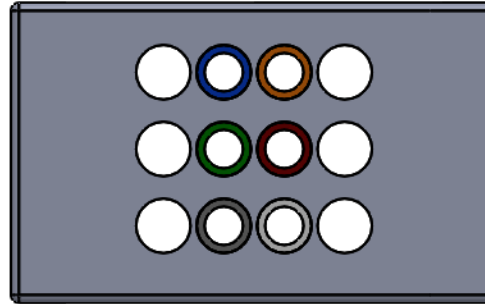


www.opticonx.com

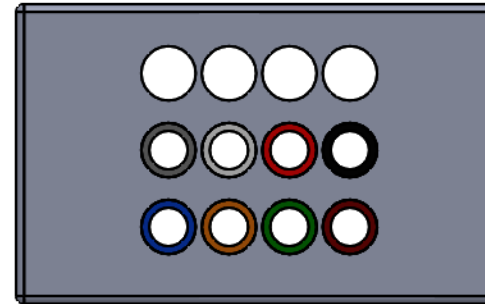
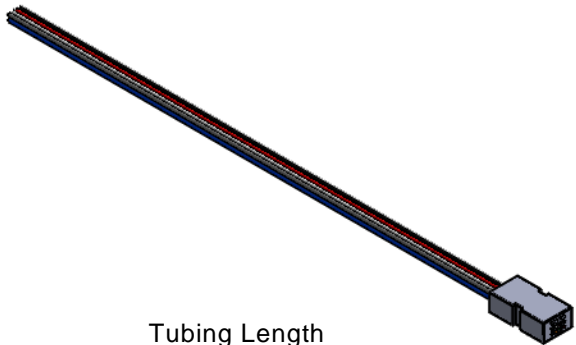
Drawn By: PCS
 Approved By: PL
 Date: 1/21/15
 Rev: A

SPKL Breakout Unit

The breakout unit consists of a rectangular block with color coded 900 micron O.D. tubing installed in the appropriate holes. Fibers are threaded through and then terminated. The breakout unit is inserted in the cavity in the splitter kit base and cover.

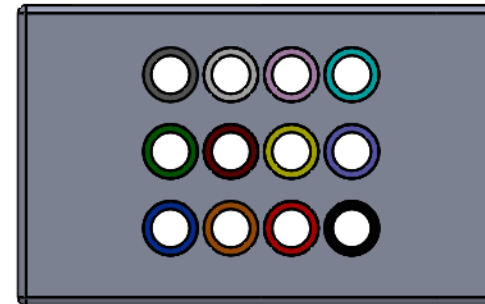
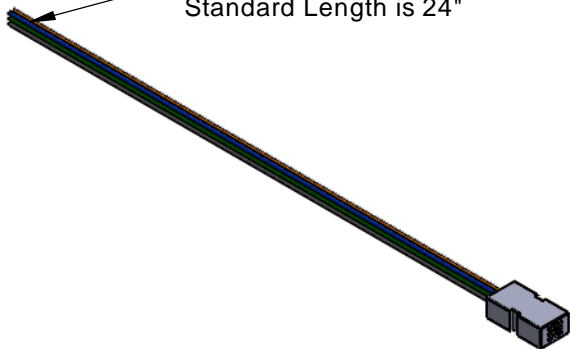


SPKL-06
6 fiber splitter kit



SPKL-08
8 fiber splitter kit

Tubing Length
Standard Length is 24"



SPKL-12
12 fiber splitter kit

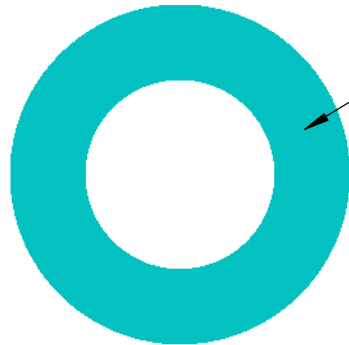
PROPRIETARY AND CONFIDENTIAL

THE INFORMATION CONTAINED IN THIS DRAWING IS THE SOLE PROPERTY OF Opticonx, Inc. ANY REPRODUCTION IN PART OR AS A WHOLE WITHOUT THE WRITTEN PERMISSION OF Opticonx, Inc. IS PROHIBITED.





**Fiber Optic Cable
Furcation Tubing**
Hytrel 900uM Furcation Tubing (for 250uM Fiber)



900uM OD x 500uM ID
(0.035" X 0.020")

Part Number:

722000-035XXX

Replace XXX with:

- BLU - BLUE
- ORG - ORANGE
- GREEN - GREEN
- BROWN - BROWN
- GRY - GREY
- WHT - WHITE
- RED - RED
- BLK - BLACK
- YEL - YELLOW
- VIO - VIOLET
- PNK - PINK
- AQU - AQUA



Mechanical:

Diameter: 0.035" (900uM)

Minimum Bend Radius:

2.0" (5cm) Installation

1.2" (3cm) In Service

Cable Weight: 0.35lbs/1000ft (0.52kg/km)

Operating Temperature: -40C to 85C (-40F to 185F)

Storage Temperature: -40C to 85C (-40F to 185F)

Construction

Component

Tube: 0.035" x 0.020" (900uM x 500uM) Elastomer (Hytrel)

Tubing Color: To TIA/EIA-359: Blue, Orange, Green,
Brown, Grey, White, Red, Black, Yellow, Violet,
Pink, Aqua

Applications Note:

This tubing is designed for upjacketing 250um fiber to 900um fiber for direct termination or splicing applications.

PROPRIETARY AND CONFIDENTIAL

THE INFORMATION CONTAINED IN THIS DRAWING IS THE SOLE PROPERTY OF Opticonx, Inc. ANY REPRODUCTION IN PART OR AS A WHOLE WITHOUT THE WRITTEN PERMISSION OF Opticonx, Inc. IS PROHIBITED.

www.opticonx.com

Drawn By: PCS
Approved By: PL
Date: 10/10/14
Rev: A