

Standard

STANDARD LC25TPI

Available for many fluorescent lamp types sold today, including Preheat, Rapid Start, 2-pin CFL, Slimline, High Output, Very High Output and Circline. Magnetic ballasts can be used in any application where these lamps are used.

Product data

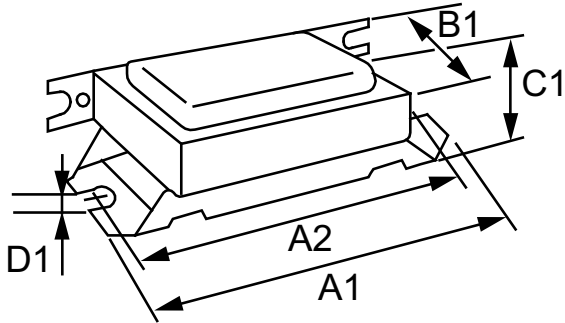
General Information		Rated Lamp Power	
Lamp Type	F25T12		20W W
Number Of Lamps	1 piece/unit		
Lamp Footage	-		
Ballast Type	Magnetic Fluorescent		
Base Model	LC25TP		
Suitable For Outdoor Use	Yes		
Automatic Restart	Yes		
Operating and Electrical		Wiring	
Input Voltage	120 V	Wire Striplength	0.50/0.375 mm
Input Frequency	60 Hz	Lamp Connection	Series
Total Harmonic Distortion USA	10 %	Wire Length By Color	See data sheet
Power (Rated) (Nom)	20 W	Wire Gauge (Nom)	18AWG mm
Ignition Method	Preheat	Wire Type	Solid
Crestfactor (Nom)	1.5	Remote Wiring Configuration Allowed	Yes
Ignition Time (Nom)	1 s	Tandem Wiring Configuration Allowed	No
Input Current (Open Circuit)	0	Through Wiring Configuration Allowed	No
Input Current (Starting)	0.59	Max Ballast-Lamp Distance Remote Wiring	30'
Ballast Factor (Nom)	0.9	Max Ballast-Lamp Distance Tandem Wiring	-
Power Factor (Nom)	0.54	Max Ballast-Lamp Distance Through Wiring	-
Input Current (Nom)	0.36 A		
Input Power (Nom)	24 W	Mechanical and Housing	
		Housing Material	Metal
		Housing	C2
		Housing Dimensions	1.06" x 1.59" x 1.81"
		Approval and Application	
		EMC Immunity Standard	FCC Non-Consumer
		Hum And Noise Level	A

Standard

UL Recognized	No
Product Data	
Order product name	STANDARD LC25TPI
EAN/UPC - Product	781087113820
Order code	913710305901

Numerator - Quantity Per Pack	1
Numerator - Packs per outer box	12
Material Nr. (12NC)	913710305901
Net Weight (Piece)	341.000 g

Dimensional drawing



MAG BALLAST (1) F25T12 PH 120V

Product	A1	A2	B1	C1	D1
---------	----	----	----	----	----

