

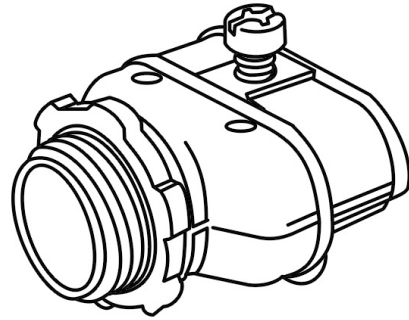


## DUPLEX CONNECTORS - ZINC



### FEATURES & BENEFITS

- METAL CLAD RANGE FOR USE WITH 3/8" FLEX
- ALUMINUM CONTINUOUS SHEATH: SMOOTH = .410-.500 DIA
- ALUMINUM INTERLOCKING = .460-.538 DIA
- STEEL INTERLOCKING = .438-.560 DIA
- ONE SCREW
- ZINC DIE CAST



### SPECIFICATIONS

Cat. Number	Trade Size	Shelf Qty.	Master Qty.
L-158	3/8"	25	250
L-159		20	200