

BALDOR® • RELIANCE

Product Information Packet

SSGHF4021AH

SSHF-921-40-B5-H104 W/HNBR SEALS

Specs			
Motor Mount:	56C		
Output Type:	STAINLESS RIGHT ANGLE		
Shaft Configuration:	HOLLOW SHAFT		
Sub Family:	SSHF		
Product Series:	900		

Nameplate NP1756L

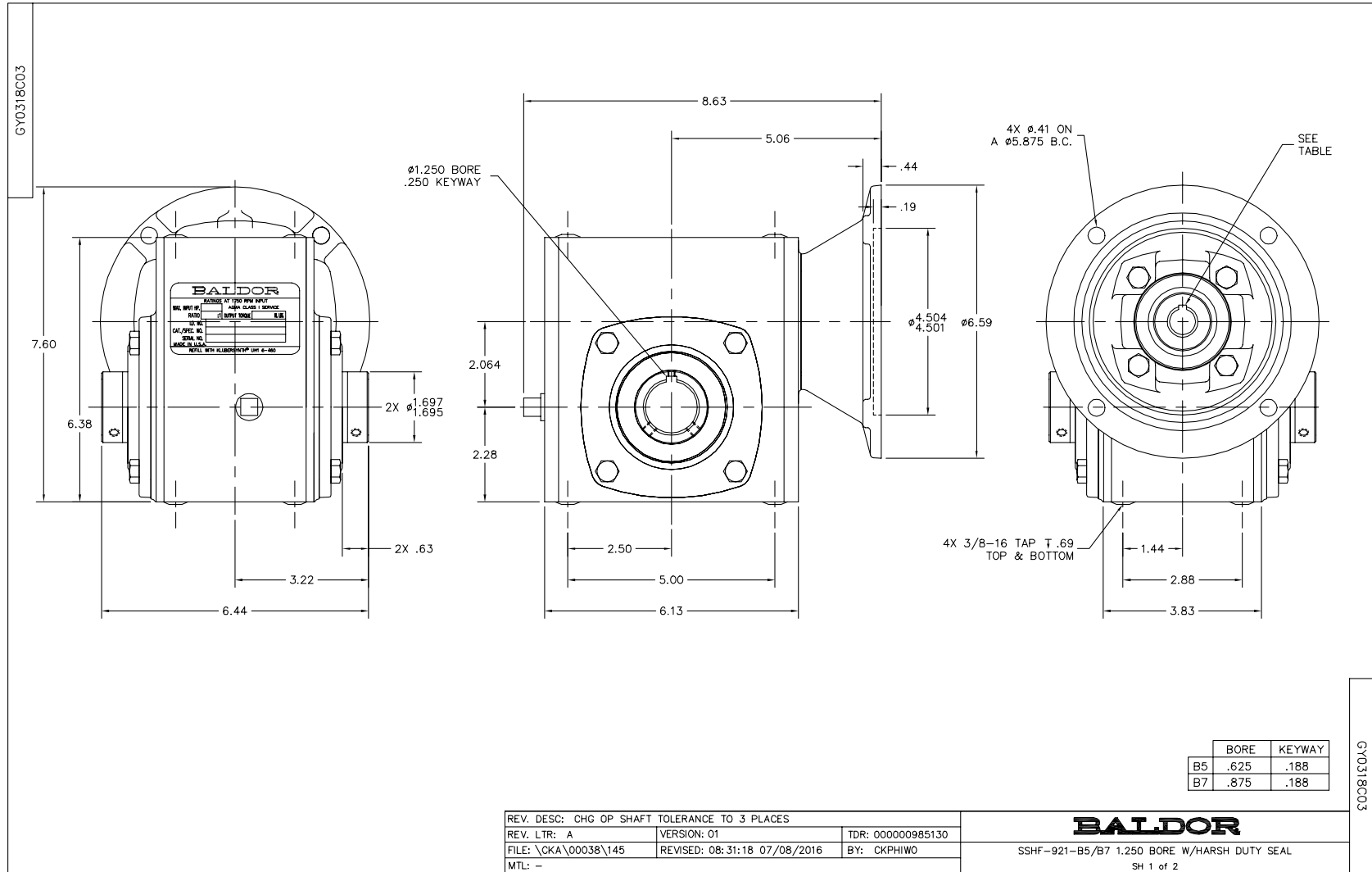
INPUT H.P.	.66		
RATIO	40		
		R TORQ-INLB	680
	SSHF-921-40-B5-H104		
CAT./SPEC	SSGHF4021AH		GR0318C003G1
SERIAL NUMBER			

Parts List		
Part Number	Description	Quantity
HG0050A03L01	SS921 HOUSING W/NP1756L LASER NP	1.000 EA
HA4027A02	SQUARE HEAD PIPE PLUG 3/8" NPTF #304 S.S	1.000 EA
921-1SR	N5000-244 RET RING	1.000 EA
WM0070B15	921 MTZ WM ASSY 40:1, 5/8 BORE SS CONFIG	1.000 EA
BG6305A01	6305 OPEN,C3,SLUSH	1.000 EA
HW5060A58	RET RING 5160-98 WALDES FOR .984 OR 1.00	1.000 EA
GF0054A04	921 GEAR FLANGE NEMA 56C, SS, W/2.249	1.000 EA
334274	TIGEAR2/MTA7 HNBR INPUT SEAL	1.000 EA
RM1070A04	O-RING, -228 VITON, .139 C.S. X 2.234 ID	1.000 EA
10XN3118S20	5/16-18 X 1 1/4 HEX HEAD CAP, STAINLESS	1.000 EA
HA9828A01	MCMASTERCARR #94709A318 5/16 SEAL WASHER	4.000 EA
BS0165A03G1	921 HOL SHF BRG SPT, SS W/2.6215 BORE &	1.000 EA
GS0035A01	WORMGEAR GASKET, .003 (GREEN), 3.53 ID X	1.000 EA
GS0035A02	WORMGEAR GASKET, .005 (BLUE), 3.53 ID X	2.000 EA
GS0035A03	WORMGEAR GASKET, .010 (BROWN), 3.53 ID X	2.000 EA
RM1070A01	O-RING, (AS-568A-236) .139 X 3.234	1.000 EA
334356	HARSH DUTY SEAL O/P 200	1.000 EA
10XN3118S12	5/16-18 X 3/4 HEX HEAD CAP, STAINLESS ST	4.000 EA
SG0019C26	SS921 GR SHF ASSY 40:1, HOL O/P, 1.250 B	1.000 EA
BS0165A03G1	921 HOL SHF BRG SPT, SS W/2.6215 BORE &	1.000 EA
GS0035A01	WORMGEAR GASKET, .003 (GREEN), 3.53 ID X	1.000 EA
GS0035A02	WORMGEAR GASKET, .005 (BLUE), 3.53 ID X	2.000 EA
GS0035A03	WORMGEAR GASKET, .010 (BROWN), 3.53 ID X	2.000 EA
RM1070A01	O-RING, (AS-568A-236) .139 X 3.234	1.000 EA

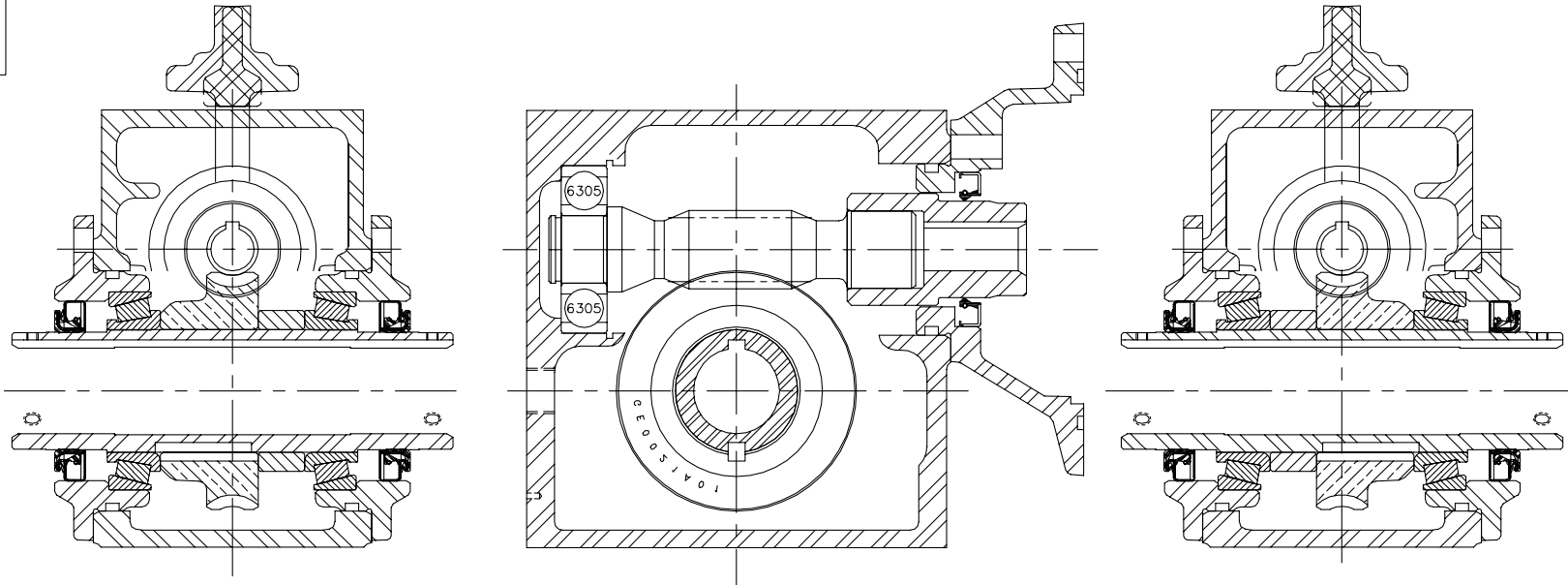
Parts List (continued)		
Part Number	Description	Quantity
334356	HARSH DUTY SEAL O/P 200	1.000 EA
10XN3118S12	5/16-18 X 3/4 HEX HEAD CAP, STAINLESS ST	4.000 EA
MJ5004A35	ADHESIVE LOCTITE #243-31 50 ML	0.039 EA
HA3557A02	ALLIANCE #PP3/8 PLUG	4.000 EA
MJ1000A90	KLUBERSYNTH UH1-6-460 WORMGEAR OIL	0.138 GA
LB5042	TOE TAG, OIL PREFILL KLUBERSYN (5000/bx)	1.000 EA
LT0066A08	REDUCER MAINT - KLUBE (1700/bx) 8/09	1.000 EA
MJ1000B01	ANTISEIZE - ALTEMP Q NB 50, 750 GRAM CAN	0.001 EA
HA3556A01	CAPPLUGS T-7X, ORM BORE PLUG 5/8 BORE	1.000 EA
35PA1000	PKG GRP, PRINT PK1008A06	1.000 EA
HW2518S07	KEY .250 X .188 X 1.500, #303 SS RECT.	1.000 EA
80XN0832S02	SCREW, 8-32 X 1/8", SHS, SS	2.000 EA
80XN2520S04	1/4-20 X 1/4 SET SCREW, S.S.	4.000 EA
10XN3816S16	3/8-16 X 1 HEX HD CAP SCREW, STAINLE	4.000 EA
HW1001S38	WASHER, 3/8 SPLT LK, STAINLESS STEEL	4.000 EA
RM1070A05	O-RING, (AS-568A-249) .139 X 4.859	1.000 EA
MP1009A01	4 X 4 ZIP POLYBAG, 2 MIL	1.000 EA

Accessories		
Part Number	Description	Multiplier
SSB21H71	SS921 SERIES WORMGEAR BASE ASSY, HORZ	A8

No performance data has been
assigned to this product.



GY0318C03



GY0318C03

REV. DESC: CHG OP SHAFT TOLERANCE TO 3 PLACES		
REV. LTR: A	VERSION: 01	TDR: 000000985130
FILE: \CKA\00038\145	REVISED: 08:31:19 07/08/2016	BY: CKPHIWO
MTL: -		

BALDOR

SSHF-921-B5/B7 1.250 BORE W/HARSH DUTY SEAL
SH 2 of 2