

SIRIUS POSITION SWITCH METAL HOUSING 40MM TO EN50041
 DEVICE CONNECTION 1X (M20X1,5) 1NO/ 1NC SNAP-ACTION
 CONTACTS ROLLER PLUNGER W. STAINL. STEEL ROLLER
 13MM



| | |
|---|-------------------------------|
| Product designation | standard position switch |
| Manufacturer's article number | |
| <ul style="list-style-type: none"> • of the supplied basic switch | 3SE5112-0CA00 |
| <ul style="list-style-type: none"> • of the supplied actuator head for position switches | 3SE5000-0AD02 |
| <ul style="list-style-type: none"> • of the supplied switching contacts | 3SE5000-0CA00 |
| <ul style="list-style-type: none"> • of the supplied empty enclosure with cover | 3SE5112-0AA00 |

| General technical data | |
|--|--------------|
| Product function | |
| <ul style="list-style-type: none"> • positive opening | Yes |
| Insulation voltage | |
| <ul style="list-style-type: none"> • rated value | 400 V |
| Degree of pollution | class 3 |
| Surge voltage resistance rated value | 6 kV |
| Protection class IP | IP66/IP67 |
| Shock resistance | |
| <ul style="list-style-type: none"> • acc. to IEC 60068-2-27 | 30 g / 11 ms |
| Vibration resistance | |
| <ul style="list-style-type: none"> • acc. to IEC 60068-2-6 | 0.35 mm/5g |

| | |
|--|--|
| Mechanical service life (switching cycles) | |
| • typical | 15 000 000 |
| Electrical endurance (switching cycles) | |
| • at AC-15 at 230 V typical | 100 000 |
| Electrical endurance (switching cycles) with contactor 3RH11, 3RT1016, 3RT1017, 3RT1024, 3RT1025, 3RT1026 typical | 10 000 000 |
| Electrical operating cycles in one hour with contactor 3RH11, 3RT1016, 3RT1017, 3RT1024, 3RT1025, 3RT1026 | 6 000 |
| Thermal current | 6 A |
| Equipment marking | |
| • acc. to DIN EN 61346-2 | B |
| • acc. to DIN EN 81346-2 | B |
| Continuous current of the C characteristic MCB | 1 A; for a short-circuit current smaller than 400 A |
| Continuous current of the quick DIAZED fuse link | 10 A; for a short-circuit current smaller than 400 A |
| Continuous current of the DIAZED fuse link gG | 6 A |
| Active principle | mechanical |
| Repeat accuracy | 0.05 mm |
| Minimum actuating force in activation direction | 20 N |
| Operating current at AC-15 | |
| • at 24 V rated value | 6 A |
| • at 125 V rated value | 6 A |
| • at 230 V rated value | 6 A |
| • at 400 V rated value | 4 A |
| Operating current at DC-13 | |
| • at 24 V rated value | 3 A |
| • at 125 V rated value | 0.55 A |
| • at 230 V rated value | 0.27 A |
| • at 400 V rated value | 0.1 A |

Enclosure

| | |
|---|----------------------------|
| Design of the housing | block, narrow |
| Material of the enclosure | metal |
| Coating of the enclosure | cathodic immersion coating |
| Design of the housing acc. to standard | Yes |

Drive Head

| | |
|--|---|
| Design of the operating mechanism | Roller plunger, high-grade steel roller |
| Standard-compliant actuator head | EN 50041, design C |
| Shape of the switch head | roller |
| Design of the switching function | positive opening |

Connections/Terminals

| | |
|--------------------------------------|----------------------|
| Type of electrical connection | screw-type terminals |
|--------------------------------------|----------------------|

Mechanical data

Cable entry type 1x (M20 x 1.5)

Communication/ Protocol

Design of the interface without

Ambient conditions

Ambient temperature

- during operation -25 ... +85 °C
- during storage -40 ... +90 °C

Installation/ mounting/ dimensions

Mounting position any

Mounting type screw fixing

Certificates/approvals

| General Product Approval | Functional Safety/Safety of Machinery | Declaration of Conformity |
|--|--|---|
|  CCC |  UL |  EG-Konf. |
|  CSA |  EAC | Baumusterprüfbescheinigung |

| Test Certificates | other |
|--|-------------------------------|
| spezielle Prüfbescheinigung n | Bestätigungen |

Further information

Information- and Downloadcenter (Catalogs, Brochures,...)

<http://www.siemens.com/industrial-controls/catalogs>

Industry Mall (Online ordering system)

<https://mall.industry.siemens.com/mall/en/en/Catalog/product?mlfb=3SE5112-0CD02>

Cax online generator

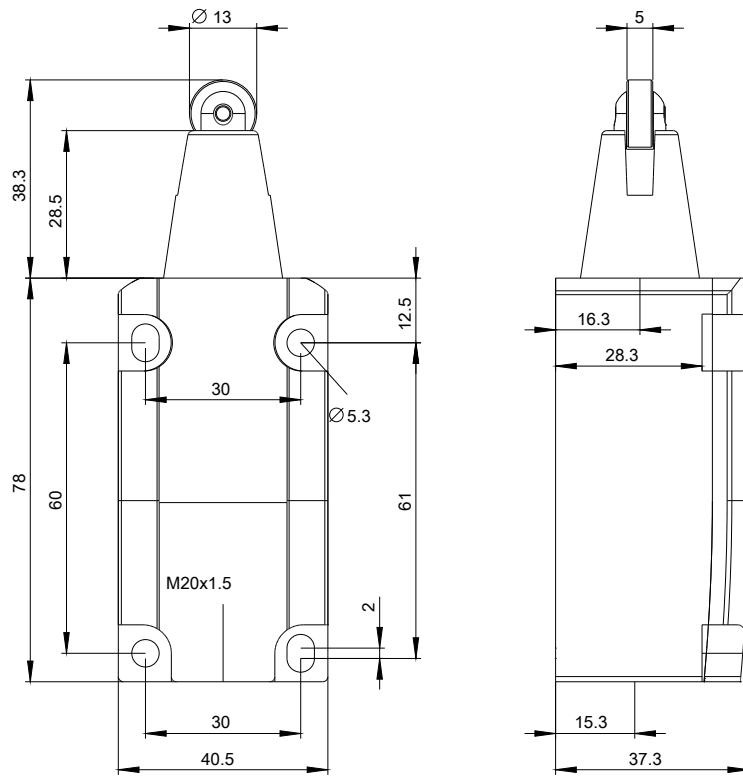
<http://support.automation.siemens.com/WW/CAXorder/default.aspx?lang=en&mlfb=3SE5112-0CD02>

Service&Support (Manuals, Certificates, Characteristics, FAQs,...)

<https://support.industry.siemens.com/cs/ww/en/ps/3SE5112-0CD02>

Image database (product images, 2D dimension drawings, 3D models, device circuit diagrams, EPLAN macros, ...)

http://www.automation.siemens.com/bilddb/cax_de.aspx?mlfb=3SE5112-0CD02&lang=en



last modified:

12/26/2016