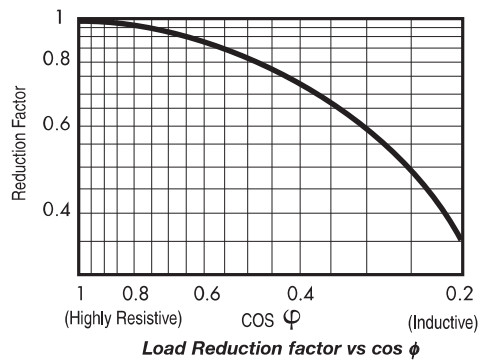
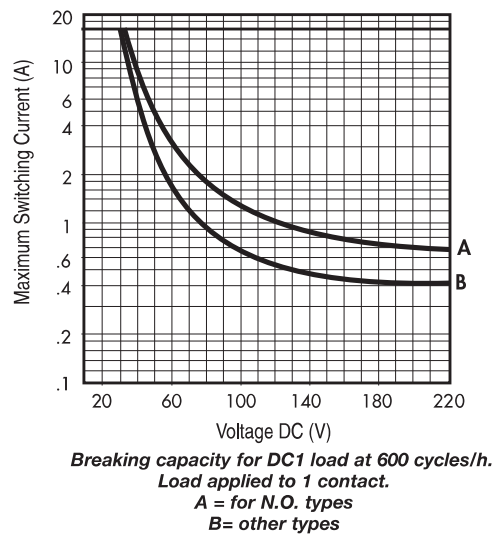
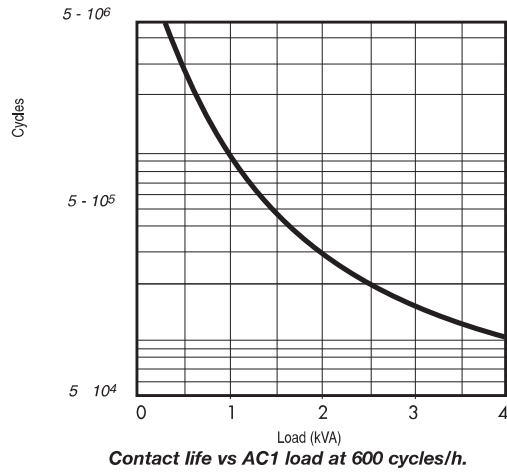


Specifications

Cat. No. 700-HB...						
Electrical Ratings						
Pilot Duty Rating†		NEMA B300				
Rated Thermal Current ( I <sub>th</sub> )		15 A – 120V, 240V				
Rated Insulation Voltage (U <sub>i</sub> )		250V IEC-300V UL/CSA				
Contacts	Inductive	<b>Make</b>		<b>Break</b>		<b>Hp</b>
		▶ ] [ ◀		◀ ] [ ▶		
		2 -Pole	3 -Pole	2 -Pole	3 -Pole	
	120V AC	60 A	30 A	6 A	3 A	3/4
	240V AC	30 A	15 A	3 A	1.5 A	2
General Purpose		15 A, 240V AC				
Resistive		15 A, 30V DC				
Min. Low Energy Permissible Load		1000 mW (10V, 10 mA)				
Permissible Coil Voltage Variation		80...110% of Nominal Voltage at 50 Hz				
		80...110% of Nominal Voltage at 60 Hz				
		80...110% of Nominal Voltage at DC				
Coil Consumption ±10%	AC Coils	<b>50 Hz</b>		<b>60 Hz</b>		
	Inrush	3.3 VA		2.85 VA		
	Sealed	2.2 VA		1.9 VA		
	DC Coils	1.3 W				
Max. Allowable Leakage		25% of VA				
		10% of W				
Max. Contact Resistance		50 mΩ				
Design Specification/Test Requirements						
Electrical						
Dielectric Withstand Voltage						
Pole-to-Pole		2500V				
Contact to Coil		4000V				
Mechanical						
Degree of Protection (Open Type) IEC 529		IP 40				
Mechanical Life Cycles (AC/DC)		> 10 x 10 <sup>6</sup> /30 x 10 <sup>6</sup>				
Switching Frequency Operations		3600/HR				
Coil Voltages		See Overview/Product Selection				
Operating Time (ms)	Pickup	20 ms				
	Dropout	4 ms				
Maximum Operating Rate		4 Ops/s				
Vibration	Endurance	5 G				
	Operational	1.5 G				
Shock	Endurance	50 G				
	Operational	15 G				
Environmental						
Temperature	Operating	AC/DC	-40...+70 °C			
	Storage	AC/DC	-40...+100 °C			
Altitude		2000 m (6560 ft)				
Construction						
Insulating Material		Molded High Dielectric Material				
Enclosure		Transparent Dust Cover				
Contact Material		AgCdO				
Terminal Markings on Socket		In accordance with EN50 0005				
Sockets		700-HN153, -HN154				
Certifications		cURus Recognized (File No. E3125, Guide NLDX2/NLDX8), cULus Listed when used with Bulletin 700-HN sockets noted above (File No. E3125, Guide NLDX/NLDX7), CE Marked, CSA Certified, UR Certified (File No. 229473)				
Standards		UL508, CSA C22.2 No. 14, EN 61810-1				

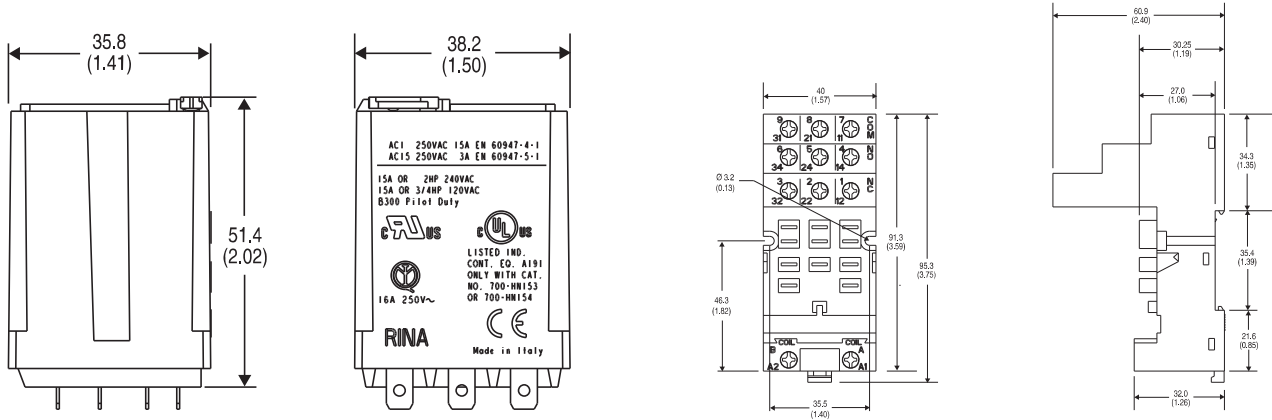
† NEMA Rating Chart is in publication 700-SG003\*

Technical Data



Approximate Dimensions

Approximate Dimensions are shown in millimeters (inches). Approximate Dimensions are not intended to be used for manufacturing purposes.

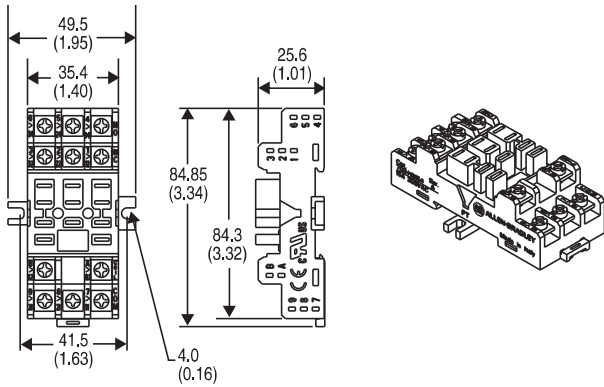


Bulletin 700-HB Relay

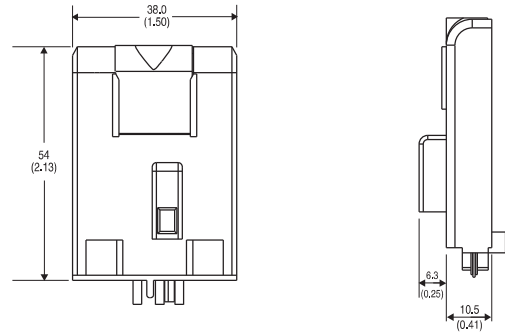
**Cat. No. 700-HN153**  
**Wire Size: 2 x 2.5 mm<sup>2</sup>**  
**Single Wire – Up to #12 AWG**  
**Double Wire – 2 x 2.5 mm<sup>2</sup> (#2-14 AWG... #2-20 AWG)**  
**(Either Solid or Stranded)**  
**Strip Length: 9 mm (3/8 in.) – Torque: 0.8 N•m (7 lb•in)**

**Approximate Dimensions**

Approximate Dimensions are shown in millimeters (inches). Approximate Dimensions are not intended to be used for manufacturing purposes.



**Cat. No. 700-HN154**  
**Wire Size: 2 x 2.5 mm<sup>2</sup>**  
**Single Wire – Up to #12 AWG**  
**Double Wire – 2 x 2.5 mm<sup>2</sup> (#2–14 AWG... #2–20 AWG)**  
**(Either Solid or Stranded)**  
**Strip Length: 9 mm (3/8 in.) – Torque: 0.8 N•m (7 lb•in)**



**Cat. No. 700-HT3**  
**Wire Size: 2 x 1.5 mm<sup>2</sup> (#2–16 AWG... #1–20 AWG)**  
**(Either Solid or Stranded)**  
**Strip Length: 9 mm (3/8 in.) – Torque: 0.8 N•m (7 lb•in)**