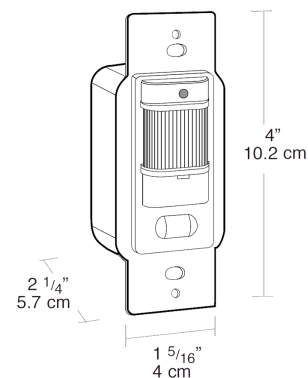


LOS1000W/120

Fits decorator wall plates with only 1/2" protrusion. 120 or 277 volts. Gangable. Full 180° view covers 1000 sq. ft. Works with electronic ballasts. Can be wired in parallel. LED indicator, wallplate included. Can also be used as a ceiling sensor.

Color: White

Weight: 0.3 lbs



Technical Specifications

UL Listing:

Indoor applications Smart Box & Tuff Dome Wet locations.

Compatibility:

Compatible with most electronic ballasts. Not compatible with instant start ballasts. Can be wired in parallel.

Maximum Reliability:

Superb small movement sensitivity within 18 feet. LOS1000 has "ZAPS" - Zero Arc Point Switching to protect relay contacts lengthen ballast and sensor life.

Maximum Energy Savings:

Light only when you need it. No ON switch so lights are never left on by mistake.

Coverage Area:

1000sf

Incandescent & Fluorescent Watts Switched:

1000 watts @ 120 volts.

Ratings:

8 amps 1/6 Horsepower

Power Consumption:

Negligible

Time Delay:

30 seconds to 15 minutes

Manual Switch:

Off - Auto

Ambient Light Sensing:

n/a

Adjustments:

Time

Detection:

180° view covers 1000 sq. feet.

Wiring:

Hot & ground.

Patents:

RAB sensor and fixture designs are protected under U.S. and International Intellectual Property laws.