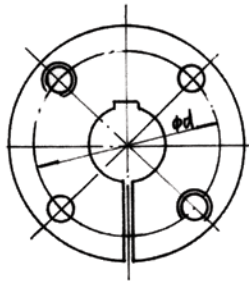


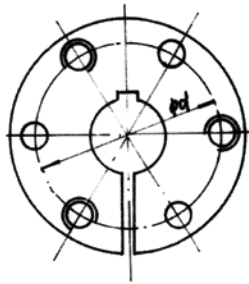
IDC SELECT® SHEAVES & BUSHINGS

BUSHINGS

H AND QD® BUSHINGS



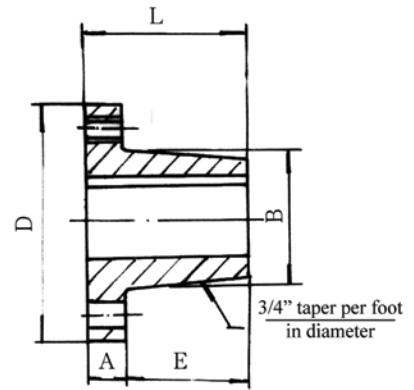
Bushing
H



Bushing
JA to J



Bushing
M



BUSHINGS

H & QD® BUSHINGS - DIMENSIONS (in)

Bushing	A	B	D	E	L	Bolt Circle Diameter	Cap Screws Grade 5		Average Weight
							Qty	Size	
H	1/4	1.625	2 1/2	1	1 1/4	2	2	1/4 x 3/4	0.80
JA	5/16	1.375	2	1 1/16	1	1.665	3	10 x 1	0.80
SH	7/16	1.871	2 11/16	7/8	1 5/8	2 1/4	3	1/4 x 1 3/8	1.00
SDS	7/16	2.187	3 1/8	7/8	1 5/16	2 11/16	3	1/4 x 1 3/8	1.20
SD	7/16	2.187	3 1/8	1 3/8	1 13/16	2 11/16	3	1/4 x 1 7/8	1.50
SK	9/16	2.812	3 7/8	1 3/8	1 5/16	3 5/16	3	5/16 x 2	2.00
SF	5/8	3.125	4 5/8	1 7/16	2 1/16	3 7/8	3	3/8 x 2	3.50
E	7/8	3.834	6	1 7/8	2 3/4	5	3	1/2 x 2 3/4	9.00
F	1	4.437	6 5/8	2 3/4	3 3/4	5 5/8	3	9/16 x 3 5/8	14.00
J	1 1/8	5.148	7 1/4	3 1/2	4 5/8	6 1/4	3	5/8 x 4 1/2	22.00
M	1 1/4	6.500	9	5 1/2	6 3/4	7 7/8	4	3/4 x 6 3/4	51.00



Bushing	Bore Range (in)	Keyseat (in)
H	3/8, 7/16, 1/2, 9/16	1/8 x 1/16
	5/8, 1 1/16, 3/4, 13/16, 7/8	3/16 x 3/32
	1 5/16, 1, 1 1/16, 1 1/8, 1 3/16, 1 1/4	1/4 x 1/8
	1 5/16, 1 3/8	5/16 x 1/16*
	1 7/16, 1 1/2	3/8 x 1/16*
JA	7/16, 1/2, 9/16	1/8 x 1/16
	5/8, 1 1/16, 3/4, 13/16, 7/8	3/16 x 3/32
	1 5/16, 1	1/4 x 1/8
	1 1/16, 1 1/8, 1 3/16	1/4 x 1/16*
	1 1/4	No Key
SH	1/2, 9/16	1/8 x 1/16
	5/8, 1 1/16, 3/4, 13/16, 7/8	3/16 x 3/32
	1 5/16, 1, 1 1/16, 1 1/8, 1 3/16, 1 1/4	1/4 x 1/8
	1 5/16, 1 3/8	5/16 x 5/32
	1 7/16, 1 1/2, 1 9/16, 1 5/8	3/8 x 1/16*
1 11/16	No Key	
SDS	1/2, 9/16	1/8 x 1/16
	5/8, 1 1/16, 3/4, 13/16, 7/8	3/16 x 3/32
	1 5/16, 1, 1 1/16, 1 1/8, 1 3/16, 1 1/4	1/4 x 1/8
	1 5/16, 1 3/8	5/16 x 5/32
	1 7/16, 1 1/2, 1 9/16, 1 5/8, 1 11/16	3/8 x 3/16
	1 3/4	3/8 x 1/8*
	1 13/16	1/2 x 1/8*
	1 7/8, 1 15/16	1/2 x 1/16*
2	No Key	

Bushing	Bore Range (in)	Keyseat (in)
SD	1/2, 9/16	1/8 x 1/16
	5/8, 1 1/16, 3/4, 13/16, 7/8	3/16 x 3/32
	1 5/16, 1, 1 1/16, 1 1/8, 1 3/16, 1 1/4	1/4 x 1/8
	1 5/16, 1 3/8	5/16 x 5/32
	1 7/16, 1 1/2, 1 9/16, 1 5/8, 1 11/16	3/8 x 3/16
	1 3/4	3/8 x 1/8*
	1 13/16	1/2 x 1/8*
	1 7/8, 1 15/16	1/2 x 1/16*
	2	No Key
	SK	1/2, 9/16
5/8, 1 1/16, 3/4, 13/16, 7/8		3/16 x 3/32
1 5/16, 1, 1 1/16, 1 1/8, 1 3/16, 1 1/4		1/4 x 1/8
1 5/16, 1 3/8		5/16 x 5/32
1 7/16, 1 1/2, 1 9/16, 1 5/8, 1 11/16, 1 3/4		3/8 x 3/16
1 13/16, 1 7/8, 1 15/16, 2, 2 1/16, 2 1/8		1/2 x 1/4
2 3/16, 2 1/4		1/2 x 1/8*
2 5/16, 2 3/8, 2 7/16, 2 1/2		5/8 x 1/16*
2 5/8, 2 9/16		No Key
SF		1/2, 9/16
	5/8, 1 1/16, 3/4, 13/16, 7/8	3/16 x 3/32
	1 5/16, 1, 1 1/16, 1 1/8, 1 3/16, 1 1/4	1/4 x 1/8
	1 5/16, 1 3/8	5/16 x 5/32
	1 7/16, 1 1/2, 1 9/16, 1 5/8, 1 11/16, 1 3/4	3/8 x 3/16
	1 13/16, 1 7/8, 1 15/16, 2, 2 1/16	1/2 x 1/4
	2 1/8, 2 3/16, 2 1/4	1/2 x 1/8
	2 1/4**	5/8 x 5/16
	2 5/16, 2 3/8, 2 7/16, 2 1/2	5/8 x 3/16*
	2 5/8, 2 11/16, 2 3/4, 2 9/16	5/8 x 1/16*
	2 13/16, 2 7/8	3/4 x 1/16*
	2 15/16	No Key

*Shallow keyseat – keystock is supplied with bushing

**Special key size