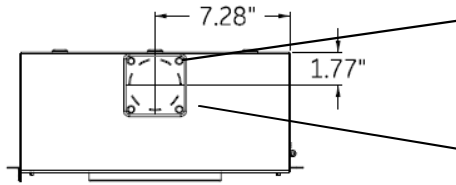
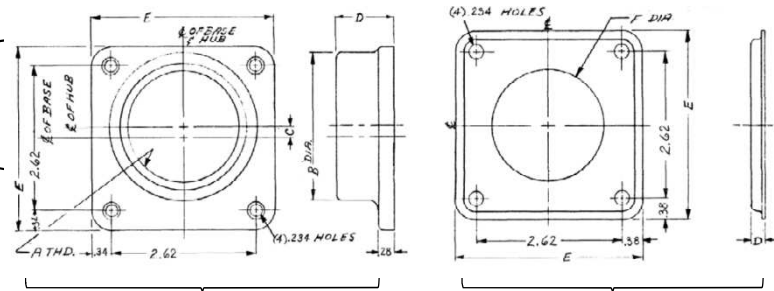


### Top View



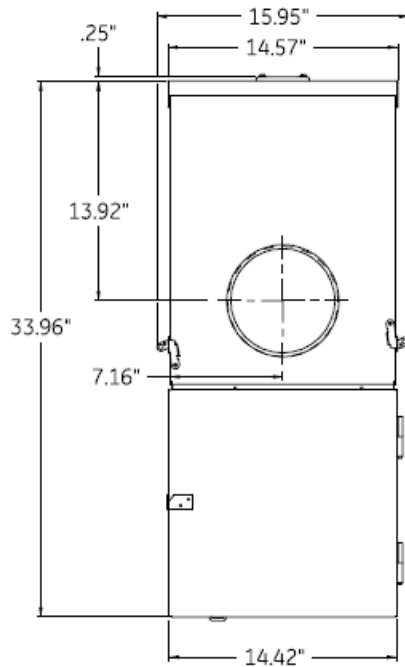
### Hub Dimensions



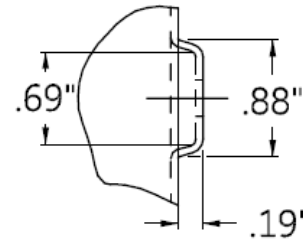
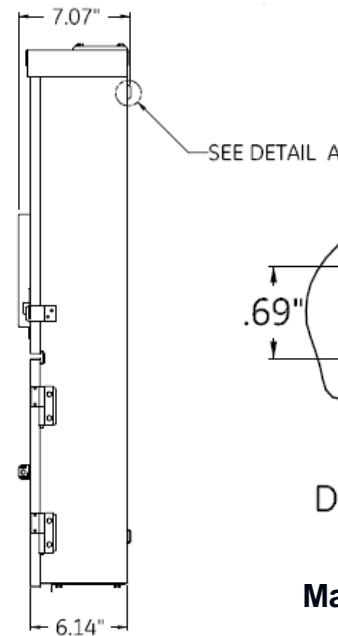
### Available Hubs

Cat#	Mod#	A-THD	B-DIA	C	D	E
TC75	2	" $\frac{3}{4}$ -14"	1.31	0.81	1.03	3.31
TC100	2	"1 - 11 $\frac{1}{2}$ "	1.53	0.69	1.03	3.31
TC125	2	"1 $\frac{1}{4}$ - 11 $\frac{1}{2}$ "	1.88	0.53	1.03	3.31
TC150	2	"1 $\frac{1}{2}$ - 11 $\frac{1}{2}$ "	2.12	0.42	1.03	3.31
TC200	2	"2 - 11 $\frac{1}{2}$ "	2.62	0.2	1.03	3.31
TC250	2	"2 $\frac{1}{2}$ - 8"	3.19	NONE	1.22	3.31
ICCP Closing Cap	1	NONE	NONE	NONE	0.25	3.38

### Front View



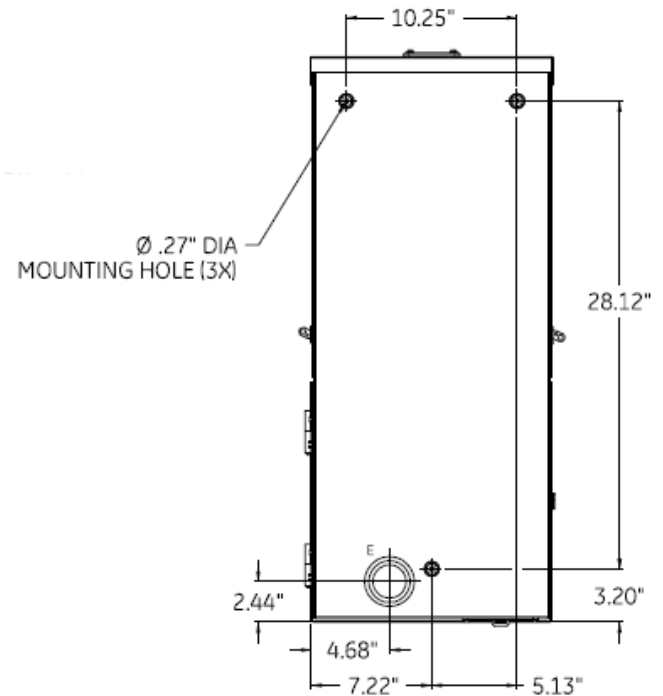
### Side View



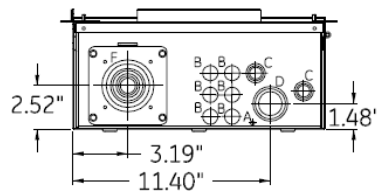
### Main Wire Size

#6 - 350MCM (Al/Cu)

### Back View



### Bottom View



ALL DIMENSIONS HAVE +/- .125 TOLERANCE

SYMBOL	SIZE	QTY.
A	9/32 KO	1
B	1/2 KO	6
C	3/8 X 1/2 X 3/4 KO	2
D	1 X 1 1/4 X 1 1/2 KO	1
E	1 1/2 X 2 X 2 1/2 KO	1
F	1/2 X 3/4 X 1 X 1 1/4 X 1 1/2 KO	1



imagination at work

Main Lug Only - Ringless - 125A 22K - 4/8 Circuits - N3R Encl - Surface Front - OH/UG Incoming Feed - Horn Bypass - Xcel Listed

CAT NO

DWG DATE

REV #

TSLR412CSCU

6/3//2015

01