



Locking Devices Weather Protective Covers

1 Gang Weather Protective Covers for 15A Single Receptacle Locking Devices

Catalog No.

Description

In-Use Weather Protective

4961

Metal Weather Protective – Vertical

1990

Metal Weather Protective – Horizontal

992

Plastic Weather Protective – Horizontal

1951

1 Gang Weather Protective Covers for 15A Duplex Receptacle Locking Devices

Catalog No.

Description

In-Use Weather Protective

4962

Metal Weather Protective – Vertical

994

Metal Weather Protective – Horizontal

989

Plastic Weather Protective – Vertical

2962

Plastic Weather Protective – Horizontal

1952

1 Gang Weather Protective Covers for 20A and 30A Locking Devices

Catalog No.

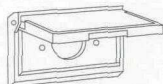
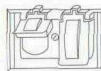
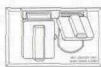
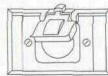
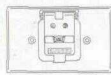
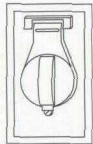
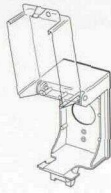
Description

Metal Weather Protective – Vertical

993

Plastic Weather Protective – Horizontal

3963



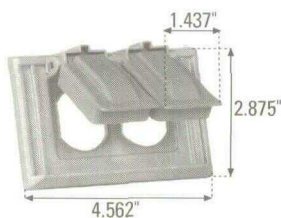
G21

Locking
Devices

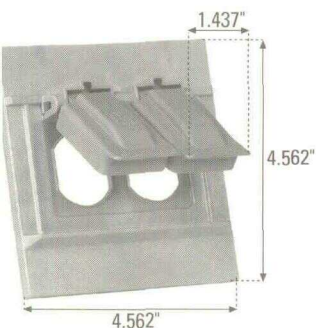


Plastic Weather Protective Covers

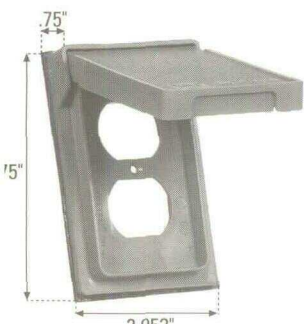
1 Gang Self-Closing
1 Gang Switch Cover
1 Gang Stay Open



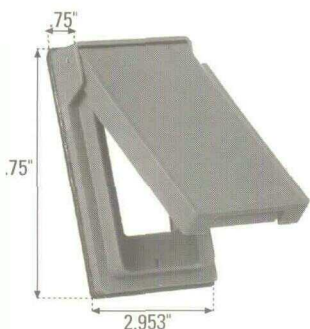
1952



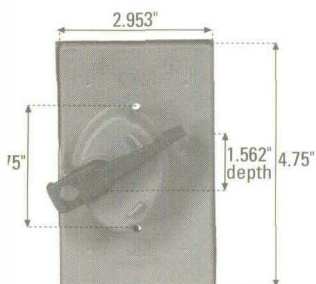
1954



2962



2966



2983

Plastic Weather Protective Covers – Wet Locations

Features:

- UL Listed for wet locations with cover closed.
- Tough plastic construction resistant to high impact and sunlight.
- Protects against rain, snow, ice.

- Non-metallic, non-corrosive and non-conductive.
- Gasket provided seals both device openings and edges.
- Made in USA.

1 Gang Self-Closing Lids

Catalog No.

Description	Mounting	Color	Catalog No.
Single Receptacle	Horizontal	Gray	1951
		White	1951W
Duplex Receptacle/Combination Device	Horizontal	Gray	1952
		White	1952W
Oversize Duplex Receptacle/Combination Device	Horizontal	Gray	1954
Duplex Receptacle	Vertical	Gray	2962
		White	2962W
Duplex Receptacle	Horizontal	Gray	3962
		White	3962W
GFCI/Decorator	Vertical	Gray	2966
		White	2966W
GFCI/Decorator	Horizontal	Gray	3966
		White	3966W
20A & 30A Locking Receptacle 1.59" Dia. opening	Horizontal	Gray	3963

Plastic Weather Protective Switch Cover – Wet Locations

Features:

- Switch lockable in "on" or "off" position.
- Red switch handle for easy locating.

- Factory-attached gasket to cover minimizes labor for installer.

1 Gang Switch Cover

Catalog No.

Description	Mounting	Color	Catalog No.
1 Gang Flush Mount Switch Cover	Vertical	Gray	2983

Plastic Protective Covers

Features:

- UL Listed.
- Tough plastic construction resistant to high impact and sunlight.
- Keeps out dust and debris.

- Non-metallic, non-corrosive and non-conductive.
- Gasket provided seals both device openings and edges.
- Made in USA.

1 Gang Stay Open Lids

Catalog No.

Description	Mounting	Color	Catalog No.
Single Receptacle	Horizontal	Gray	1961
		White	1961W
Duplex Receptacle/Combination Device	Horizontal	Gray	1962
		White	1962W



12

Weather Protective Devices