

ENCLOSURE FOR 22MM PROGRAM PLASTIC VERSION 2  
COMMAND POSITIONS GRAY TOP PART



Enclosure	
<b>Design of the housing</b>	Empty enclosure for command and signaling devices
<b>Shape of the enclosure front</b>	rectangular
<b>Material of the enclosure</b>	plastic
<b>Number of command points</b>	2
<b>Product component</b>	
• protective collar	No
<b>Color</b>	
• of top part of the enclosure	grey
<b>Delivery state</b>	
• as a kit	No
• pre-wired on strip terminal	No
<b>Mounting type of the enclosure</b>	Vertical / horizontal
Actuator	
<b>Product feature</b>	
• lockout	No
<b>Product extension optional Light source</b>	Yes
Front ring	

<b>Product component front ring</b>	No
<b>General technical data</b>	
<b>Product function</b>	
• positive opening	No
• EMERGENCY STOP function	No
<b>Product component</b>	
• Light source	No
• Stand/pedestal	No
<b>Protection class IP</b>	IP65
<b>Vibration resistance</b>	
• acc. to IEC 60068-2-6	20 ... 200 Hz: 5g
<b>Equipment marking</b>	
• acc. to DIN 40719 extended according to IEC 204-2 acc. to IEC 750	S
• acc. to DIN EN 61346-2	U
• acc. to DIN EN 81346-2	U
<b>Connections/Terminals</b>	
<b>Type of electrical connection on enclosure</b>	Cable routing above, below / left, right, each 1 x M20
<b>Ambient conditions</b>	
<b>Ambient temperature</b>	
• during operation	-25 ... +70 °C
• during storage	-40 ... +80 °C
<b>Environmental category during operation acc. to IEC 60721</b>	3K6
<b>Installation/ mounting/ dimensions</b>	
<b>Mounting type</b>	
• of contact blocks, socket, and accessories	Floor mounting / front mounting (1-pole)
<b>Height</b>	114 mm
<b>Width</b>	85 mm
<b>Depth</b>	64 mm
<b>Shape of the installation opening</b>	round
<b>Mounting diameter</b>	22 mm
<b>Accessories</b>	
<b>Number of labels</b>	2
<b>Product component holder for 3 switching elements</b>	No
<b>Certificates/approvals</b>	

General Product Approval	Declaration of Conformity	Test Certificates	Shipping Approval
--------------------------	---------------------------	-------------------	-------------------



[spezielle Prüfbescheinigung](#)  
[n](#)



Shipping Approval	other
-------------------	-------



[Bestätigungen](#)

[Umweltbestätigung](#)

### Further information

**Information- and Downloadcenter (Catalogs, Brochures,...)**

<http://www.siemens.com/industrial-controls/catalogs>

**Industry Mall (Online ordering system)**

<https://mall.industry.siemens.com/mall/en/en/Catalog/product?mlfb=3SB3802-0AA3>

**Cax online generator**

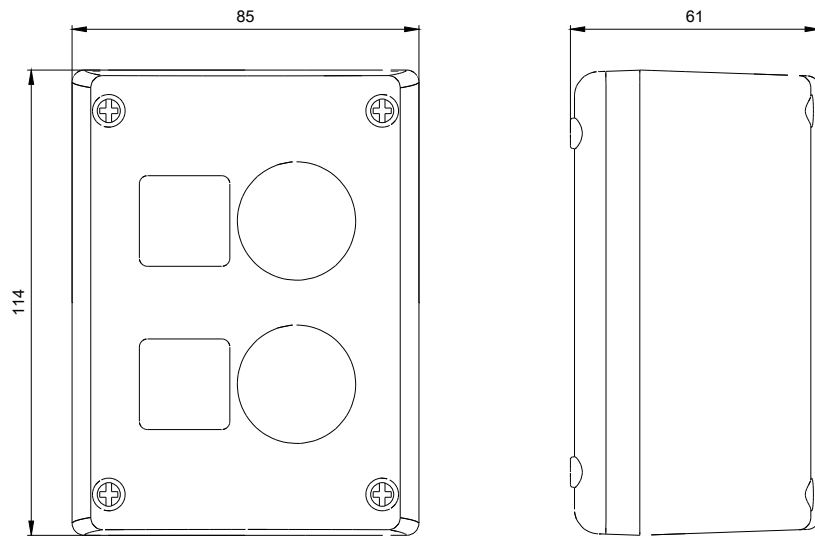
<http://support.automation.siemens.com/WW/CAXorder/default.aspx?lang=en&mlfb=3SB3802-0AA3>

**Service&Support (Manuals, Certificates, Characteristics, FAQs,...)**

<https://support.industry.siemens.com/cs/ww/en/ps/3SB3802-0AA3>

**Image database (product images, 2D dimension drawings, 3D models, device circuit diagrams, EPLAN macros, ...)**

[http://www.automation.siemens.com/bilddb/cax\\_de.aspx?mlfb=3SB3802-0AA3&lang=en](http://www.automation.siemens.com/bilddb/cax_de.aspx?mlfb=3SB3802-0AA3&lang=en)



W9.4444; 3SB3802-0AA3

last modified:

12/21/2016