



Accessorize your LFLED with a NEMA Type: 3H x 3V or 3H x 2V spot lens.

Color: Bronze

Weight: 0.3 lbs

<b>Project:</b>	<b>Type:</b>
<b>Prepared By:</b>	<b>Date:</b>

Driver Info		LED Info	
Type:	Constant Current	Watts:	0W
120V:	N/A	Color Temp:	N/A
208V:	N/A	Color Accuracy:	N/A
240V:	N/A	L70 Lifespan:	N/A
277V:	N/A	Lumens:	N/A
Input Watts:	0W	Efficacy:	N/A
Efficiency:	N/A		

**Technical Specifications**

**Listings**

**UL Listing:**

Suitable for wet locations. Suitable for ground mounting.

**Construction**

**Lens:**

Microprismatic diffusion lens for smooth and even light distribution.

**Housing:**

Precision die-cast aluminum.

**Finish:**

Formulated for high-durability and long lasting color.

**Optical**

**NEMA Type:**

Fixture has a NEMA Type 3H x 3V.

**Other**

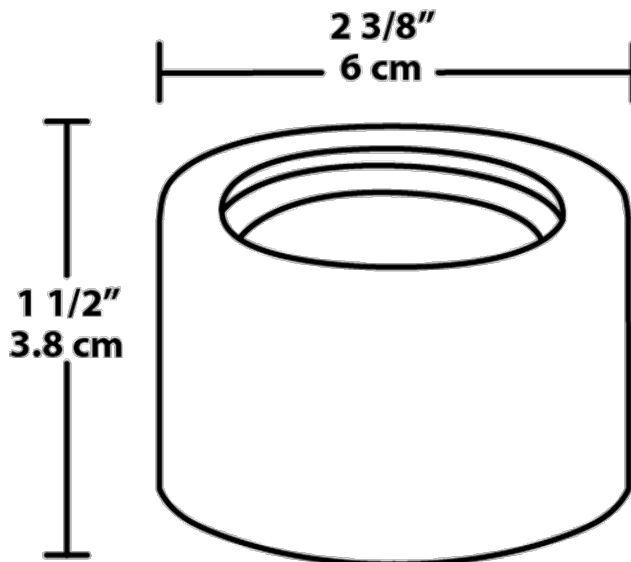
**Compatibility:**

Compatible with

**Patents:**

The design of the LSFLED is protected by patents pending in US, Canada, China, Taiwan and Mexico.

**Dimensions**



**Features**

- Microprismatic diffusion lens for smooth and even light distribution
- Precision die-cast aluminum housing
- 5-Year warranty

## Ordering Matrix

Family	Watts	Finish
LSLFLED		
	<b>Blank</b> = 5W <b>8</b> = 8W	<b>A</b> = Bronze <b>W</b> = White <b>B</b> = Black <b>VG</b> = Verde Green <b>BR</b> = Brass