

Twist-Lock® Devices

20 Ampere, 347, 480, 600 and 125/250 Volts AC

2 Pole, 3 Wire Grounding and 3 Pole, 3 Wire Non-Grounding

Insulgrip® Plugs, Flanged Inlets, Connector Bodies and Receptacles



HBL2341

IP20
SUITABILITY



20A 347V AC
NEMA L24-20P
UL/CSA



20A 480V AC
NEMA L8-20P
UL/CSA
3 HP



20A 600V AC
NEMA L9-20P
UL/CSA

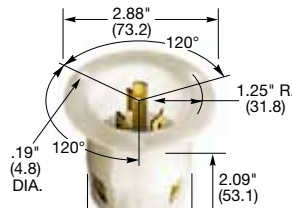


20A 125/250V AC
NEMA L10-20P
UL/CSA
2 (1) HP

Plugs

Description	Cord Dia.	Catalog Number			
Black and white nylon.	.360"-.930" (9-24)	HBL3721	HBL2341	HBL2351	-
Black and white nylon (Not shown).	.300"-1.050" (7.6-26.7)	-	-	-	HBL2361

Accessories on page B-51.



HBL2345

Flanged Inlets

Description	Catalog Number			
Nylon casing, back wired.	HBL3725	HBL2345	HBL2355	HBL2365

Accessories on page B-50.

IP20
SUITABILITY



20A 347V AC
NEMA L24-20R
UL/CSA



20A 480V AC
NEMA L8-20R
UL/CSA
3 HP



20A 600V AC
NEMA L9-20R
UL/CSA

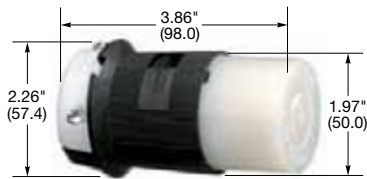


20A 125/250V AC
NEMA L10-20R
UL/CSA
2 (1) HP

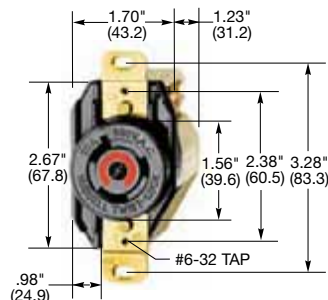
Connector Bodies

Description	Cord Dia.	Catalog Number			
Black and white nylon.	.360"-.930" (9-24)	HBL3723	HBL2343	HBL2353	-
Black and white nylon (Not shown).	.300"-1.050" (7.6-26.7)	-	-	-	HBL2363

Accessories on page B-51.



HBL2343



HBL2340

Single Flush Receptacles, Back and Side Wired

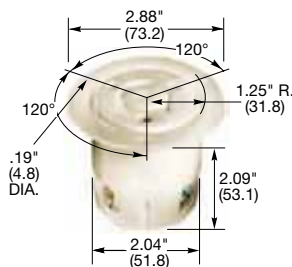
Description	Catalog Number			
Black nylon face.	HBL3720	HBL2340	HBL2350	HBL2360
Isolated ground, orange nylon face.	-	IG2340	-	-

Accessories on page B-50.

Flanged Receptacles

Description	Catalog Number			
Nylon casing, back wired.	HBL3726	HBL2346	HBL2356	HBL2366

Accessories on page B-50.



HBL2346

Note: Only receptacles and plugs up to 480V AC are HP rated.

For technical information see page B-69.

See page B-37 for switched enclosure.

See page B-40 for Add-A-Shroud® kit. For use with connector bodies.

HP ratings are AC only.