

Type		Standard Cartridge						Master Cartridge						Heavy duty									
Bulletin No.		700-P						700-PMKIT						700-PHDKIT									
<b>Electrical</b>																							
Contact Rating Continuous		10 A @ 600V AC 5 A @ 600V DC						20 A @ 600V AC 10 A @ 600V DC						35 A @ 600V AC 20 A @ 600V DC									
Ratings Make/Break	AC	NEMA A600						2 x NEMA A600						2 x NEMA A600									
	DC	NEMA P600						N150 P600						N150 P600									
Additional Contact Ratings for AC single-phase loads		—						3 Hp @ 240V AC - N.O. 2 Hp @ 240V AC - N.O./N.C. 1 Hp @ 120V AC - N.O./N.C. 20 A Resistive Heating to 600V AC 20 A Tungsten Lighting Load to 480V AC						5 Hp @ 240V AC - N.O. 3 Hp @ 240V AC - N.O./N.C. 2 Hp @ 120V AC - N.O./N.C. 35 A General Use At 0.75 PF to 600V AC 35 A Tungsten Lighting Load to 480V AC									
DC Current Ratings Make/Break		Cartridge Cat. No. 700-CP1						Cartridge Cat. No. 700-CPM						Cartridge Cat. No. 700-CPH									
DC Switching Inductive Load		Volts DC																					
		Contacts in Series	24	64	125	250	500	600	24	64	125	250	500	600	24	64	125	250	500	600			
		1	5 A	2.2 A	1.1 A	.55 A	.24 A	.2 A	10 A	5 A	2.2 A	.55 A	.24 A	.2 A	10 A	5 A	2.2 A	.55 A	.24 A	.2 A			
		2	10 A	10 A	5 A	2 A	.7 A	.5 A	20 A	10 A	5 A	2 A	.7 A	.5 A	20 A	10 A	5 A	2 A	.7 A	.5 A			
		3	—	—	7 A	3 A	1.5 A	1.0 A	—	15 A	7 A	3 A	1.5 A	1.0 A	—	15 A	7 A	3 A	1.5 A	1.0 A			
4	—	—	10 A	5 A	2.5 A	1.5 A	—	20 A	10 A	5 A	2.5 A	1.5 A	—	20 A	10 A	5 A	2.5 A	1.5 A					
Coil Voltage Range		AC	85...110%						85...110%						85...110%								
		DC	80...110%						80...110%						80...110%								
		Battery Charging	85...115%						85...115%						85...115%								
Coil Consumption		A	50 Hz			60 Hz			50 Hz			60 Hz			50 Hz			60 Hz					
			Inrush	132VA†			138VA†			132VA†			138VA†			132VA†			138VA†				
		C	Sealed			19.3VA†			19VA†			19.3 VA†			19VA†			19.3VA†			19VA†		
			Inrush	12.7VA†						12.7VA†						12.7VA†							
D	Sealed			12.7VA†			12.7VA†						12.7VA†										
	Inrush	15VA†			15.6VA†			5VA†			15.6VA†			15VA†			15.6VA†						
PLL - PKLL AC Latch Unit	Sealed			5.4VA†			5.5VA†			5.4VA†			5.5VA†			5.4VA†			5.5VA†				
	Unlatch	35VA†						35VA†						—									
PLL - PKLL DC Latch Unit	Intermittent			35 W†			35 W†						—										
	Reset Time	PT - PKT		75 ms						75 ms						—							
Minimum Pulse	PLL-PKLL		75 ms						75 ms						—								
<b>Mechanical</b>																							
Operating Time		Pickup	AC - 10...20 ms DC - 30...50 ms						AC - 10...20 ms DC - 30...50 ms						AC - 10...20 ms DC - 30...50 ms								
		Dropout	AC - 10...20 ms DC - 20...33 ms						AC - 10...20 ms DC - 20...33 ms						AC - 10...20 ms DC - 20...33 ms								
Mechanical Life		10 million operations																					
<b>Construction</b>																							
Contact Arrangement		Up to 12 Poles, Convertible to N.O. or N.C. (8 N.C. Maximum)						Up to 12 Poles, Convertible to N.O. or N.C. (8 N.C. Maximum)						Up to 6 Poles, Convertible to N.O. or N.C. (4 N.C. Maximum)									
Contact Material		Silver Nickel						Silver Cadmium Oxide						Silver Cadmium Oxide									
Mounting		Panel, Strip Mount, or DIN Rail Horizontal Mounting Recommended						Panel, Strip Mount, or DIN Rail Horizontal Mounting Recommended						Panel, Strip Mount, or DIN Rail Horizontal Mounting Recommended									
<b>Environmental</b>																							
Temperature		Operating ★	-20...+65 °C (-4...149 °F)						-20...+65 °C (-4...149 °F)						-20...+65 °C (-4...149 °F)								
		Storage	-40...+65 °C (-40...149 °F)						-40...+65 °C (-40...149 °F)						-40...+65 °C (-40...149 °F)								
<b>Wire Terminations</b>																							
Wire size per UL/CSA		#18 AWG...(2) #12 AWG																					
Tightening Torque		8...12 lb•in (0.9...1.4 N•m)																					

★ Temperature inside the panel.

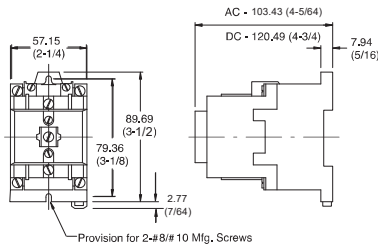
† Average value for all coils within range. For values on a specific coil voltage, contact your local Rockwell Automation sales office or Allen-Bradley distributor.

International Symbol for Mechanically Linked Contacts

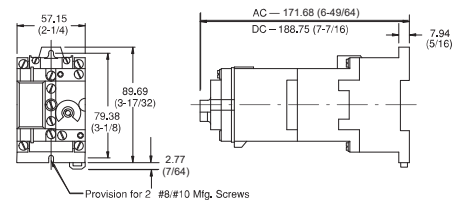


Dimensions are shown in millimeters (inches). Dimensions are not intended to be used for manufacturing purposes.

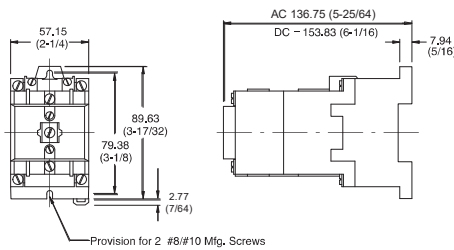
**Bulletin 700-P Relays with standard, master contact, or heavy-duty contact cartridge**



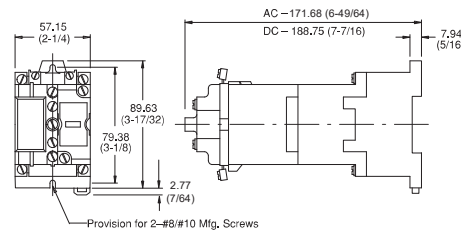
**2- and 4-pole Bulletin 700-P Relay**  
 Approximate Shipping Weight: AC - 0.68 kg (1.5 lb), DC - 1.34 kg (2.95 lb)



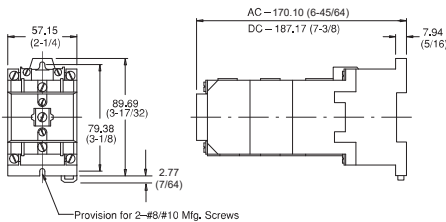
**2- and 4-pole Bulletin 700-P with Pneumatic Time Delay Attachment**  
 Approximate Shipping Weight: AC - 0.85 kg (1.88 lb), DC - 1.5 kg (3.33 lb)



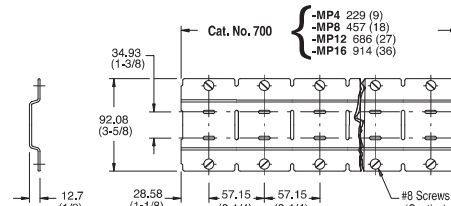
**6- and 8-pole Bulletin 700-P Relay with one -PB adder deck**  
 Approximate Shipping Weight:  
 AC - 0.79 kg (1.75 lb), DC - 1.45 kg (3.20 lb)



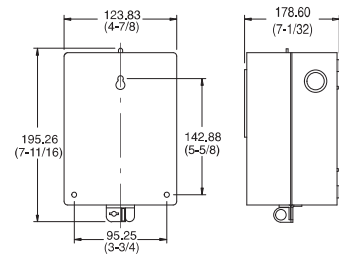
**Bulletin 700-P Relay with Mechanical Latch Attachment**  
 Approximate Shipping Weight:  
 AC - 0.97 kg (2.13 lb), DC - 1.62 kg (3.58 lb)



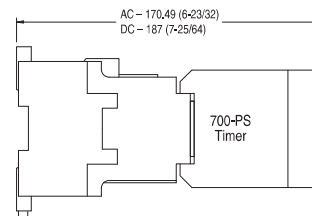
**Bulletin 700-P Relay, up to 12 poles with -PB and -PC adder decks**  
 Approximate Shipping Weight: AC - 1.02 kg (2.25 lb), DC - 1.68 kg (3.7 lb)



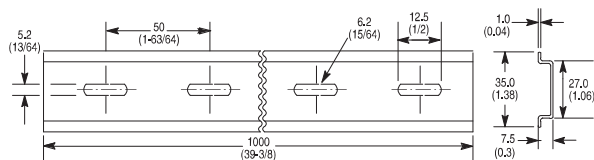
**Relay Rail for Bulletin 700-P, -N, -NM, -R, -RM, -RT, -RTA Relays**  
 Secure the mounting strip with two screws at each end relay position.  
 Use a minimum of one screw at the 3rd, 5th, 7th, etc., relay positions.  
 Alternate between upper and lower horizontal slots.



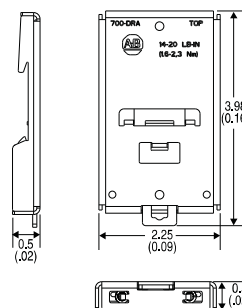
**Cat. No. 700-N31, Type 1 Enclosure for Bulletin 700-P, -RTC Relays**  
 Approximate Shipping Weight: 1.26 kg (2.8 lb)



**Bulletin 700-PS Timer Mounted on a Bulletin 700-P Relay**  
 Approximate Shipping Weight: AC - 0.68 kg (1.5 lb) without 700-PS,  
 DC - 1.34 kg (2.9 lb) without 700-PS

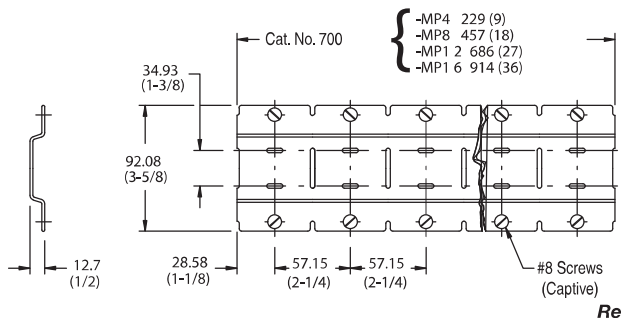
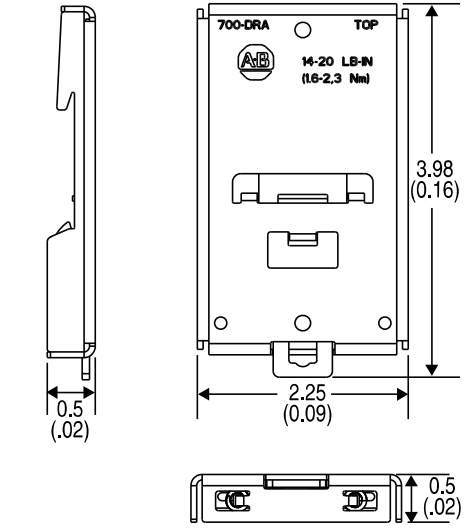
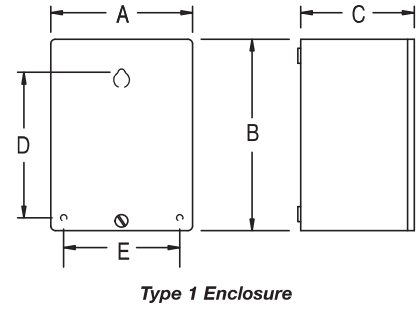
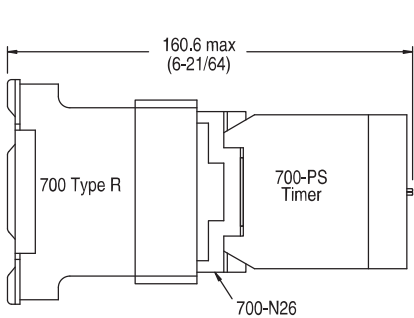
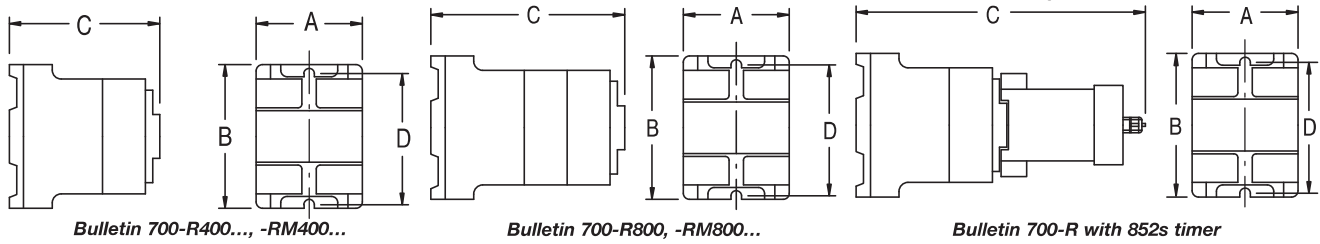


**Cat. No. 199-DR1 DIN Mounting Rail Series B**  
 Cat. No. 199-DR4 DIN Mounting Rail Series B Has No Mounting Holes

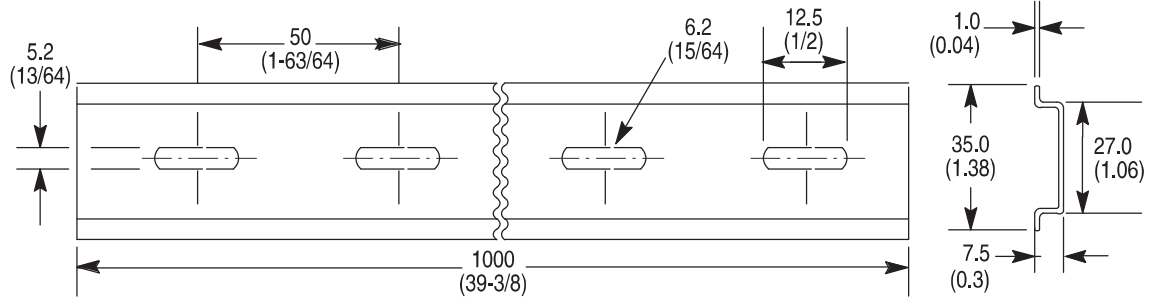


**DIN Rail Adapter**

Dimensions are shown in millimeters (inches) shown. Dimensions are not intended to be used for manufacturing purposes.



Secure the mounting strip with 2 screws at each end relay position. Use a minimum of one screw at the 3rd, 5th, 7th, etc., relay positions. Alternate between upper and lower horizontal slots.



Cat. No. 199-DR1 DIN Mounting Rail Series B

Bulletin 700-R, -RM Relays														
Type of Relay		No. of Poles	Drawing Number	Open Type Without Enclosures				Approx. Ship Wt. [kg (lb)]	Type 1 General Purpose Enclosure					Approx. Ship Wt. [kg (lb)]
				A Wide	B High	C Deep	D		A Wide	B High	C Deep	D	E	
R	Bulletin 700 and Bulletin 700DC	2...4	1	55.56 (2-3/16)	88.90 (3-1/2)	92.25 (3-3/8)	79.38 (3-1/8)	0.91 (2)	104.78 (4-1/8)	185.74 (7-5/16)	103.19 (4-1/16)	146.05 (5-3/4)	85.73 (3-3/8)	1.81 (4)
		5...8	2	55.56 (2-3/16)	88.90 (3-1/2)	111.13 (4-3/8)	79.38 (3-1/8)	1.02 (2-1/4)	112.71 (4-7/16)	228.60 (9)	120.65 (4-3/4)	206.38 (8-1/8)	92.08 (3-5/8)	2.49 (5)
R with Bulletin 852S Timer	Bulletin 700 and Bulletin 700DC	2...4	3	55.56 (2-3/16)	88.90 (3-1/2)	165.1 (6-1/2)	79.38 (3-1/8)	1.25 (2-3/4)	—	—	—	—	—	—
RM	Bulletin 700 and Bulletin 700DC	2...4	1	55.56 (2-3/16)	88.90 (3-1/2)	95.25 (3-3/8)	79.38 (3-1/8)	0.91 (2)	104.78 (4-1/8)	185.74 (7-5/16)	103.19 (4-1/16)	146.05 (5-3/4)	85.73 (3-3/8)	1.81 (4)
		5...8	2	55.56 (2-3/16)	88.90 (3-1/2)	111.13 (4-3/8)	79.38 (3-1/8)	1.02 (2-1/4)	112.71 (4-7/16)	228.60 (9)	120.65 (4-3/4)	206.38 (8-1/8)	92.08 (3-5/8)	2.49 (5)
RM with Bulletin 852S Timer	Bulletin 700 and Bulletin 700DC	2...4	3	55.56 (2-3/16)	88.90 (3-1/2)	165.1 (6-1/2)	79.38 (3-1/8)	1.25 (2-3/4)	—	—	—	—	—	—

**Specifications**

**Bulletin 700-PS**

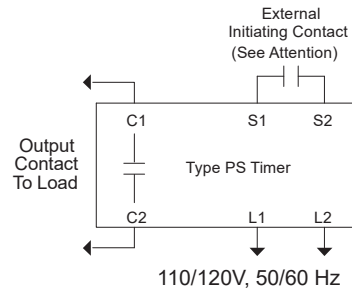
**Operation**

The timer must be energized continuously (L1-L2). ON-Delay: When the initiating contact closes, timing begins. At time-out, the output contact closes. OFF-Delay: When the initiating contact closes, the output contact closes instantly. When the initiating contact re-opens, timing begins. At time-out, the output contact re-opens.

**Typical Wiring Diagram§**

**Attention** — To avoid damage to timer, do not switch any load in addition to timing relay at terminals S1–S2. Do not apply an external voltage to terminals S1–S2.

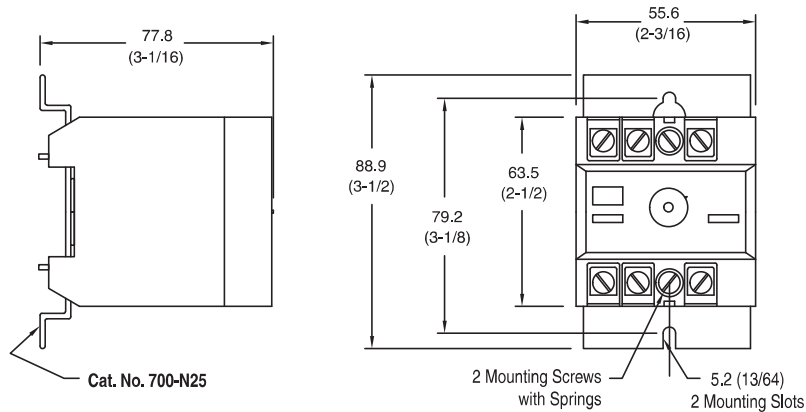
§ External Potentiometer units have R1, R2 terminals for connecting the potentiometer.



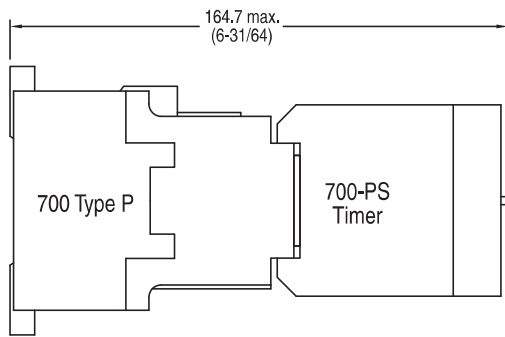
**Approximate Dimensions**

Dimensions are shown in millimeters (inches). Dimensions are not intended to be used for manufacturing purposes.

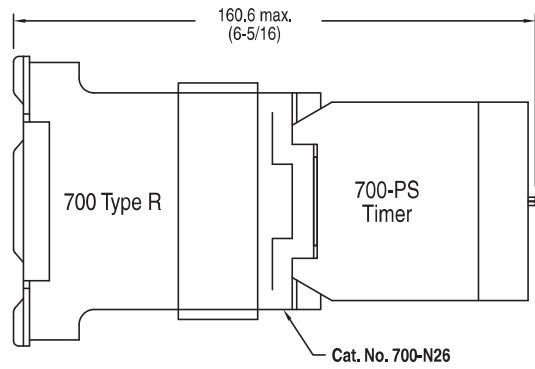
**Bulletin 700-PS**



**Bulletin 700-PS Timer Mounted on the Adapter Plate**  
**Cat. No. 700-N25**  
**Approximate Shipping Wt. 0.45 kg (1 lb)**



*Bulletin 700-PS Timer Mounted on a 4-Pole  
Bulletin 700-P or -PK, or 2-Pole Bulletin 700-PH Relay  
Approximate Shipping Wt. 1.02 kg (2.3 lb)*



*Bulletin 700-PS Timer Mounted on a 4-Pole  
Bulletin 700-R or -RM Relay  
Approximate Shipping Wt. 1.25 kg (2.8 lb)*