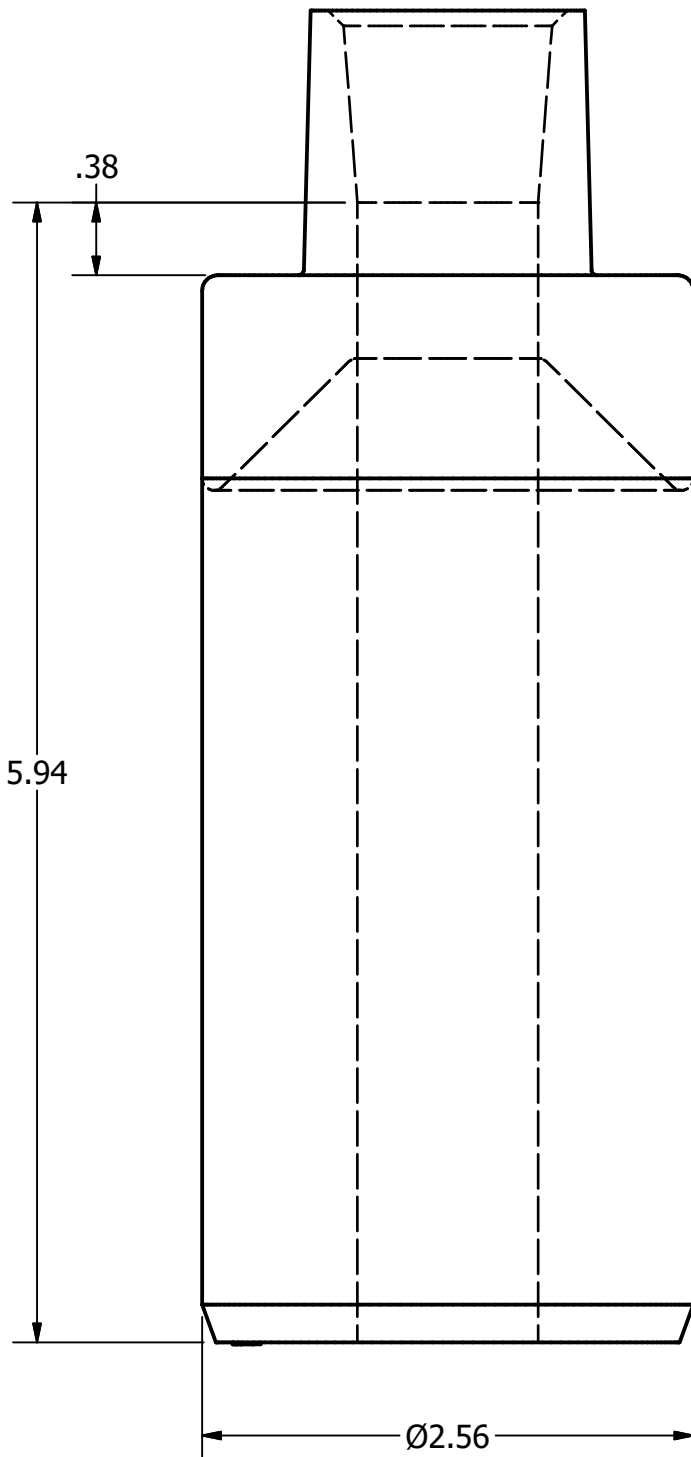
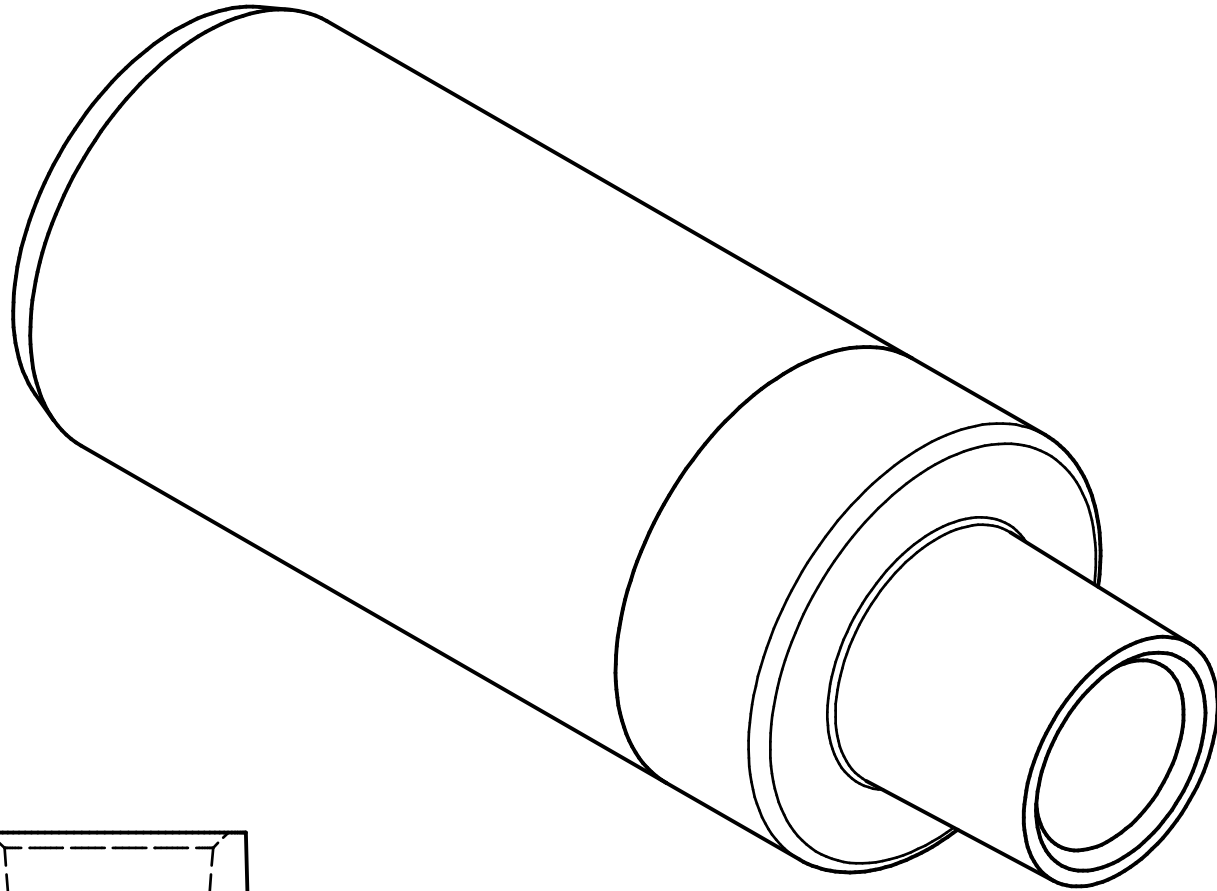


# 35 kV, CABLE ADAPTER



MOLDED CABLE ADAPTER		
PART #	INS. RANGE (IN)	INS. RANGE (mm)
635CAD	.750-.985	19.10-25.00
635CAE	.930-1.040	23.60-26.40
635CAF	.980-1.115	24.90-28.30
635CAG	1.040-1.175	26.40-29.90
635CAH	1.095-1.240	27.80-31.50
635CAJ	1.160-1.305	29.50-33.20
635CAK	1.220-1.375	31.00-34.90
635CAL	1.285-1.395	32.60-35.40
635CAM	1.355-1.520	34.40-38.60
635CAN	1.485-1.595	37.70-40.50
635CAP	1.530-1.640	38.90-41.70
635CAQ	1.575-1.685	40.00-42.80
635CAR	1.665-1.785	42.30-45.30
635CAS	1.755-1.875	44.60-47.60
635CAT	1.845-1.965	46.90-49.90
635CAU	1.935-2.055	49.20-52.20
635CAV	2.025-2.145	51.40-54.50

REV DATE 7/26/2019

CONTENTS ARE CONFIDENTIAL AND THE EXCLUSIVE PROPERTY OF HUBBELL POWER SYSTEMS. NO PUBLICATION, DISTRIBUTION OR COPIES MAY BE MADE WITHOUT THE WRITTEN CONSENT OF HUBBELL POWER SYSTEMS. HUBBELL POWER SYSTEMS UNPUBLISHED ALL RIGHTS RESERVED UNDER THE COPYRIGHT LAWS.



HUBBELL POWER SYSTEMS, Inc.

TITLE 35KV CABLE ADAPTERS

SIZE SB	DWG NO. --	CAT / PART / ASSY NO. 635CA	REV 0
DO NOT SCALE THIS DRAWING	DRN BY BVB	DATE 7/26/2019	SHEET 1 OF 1