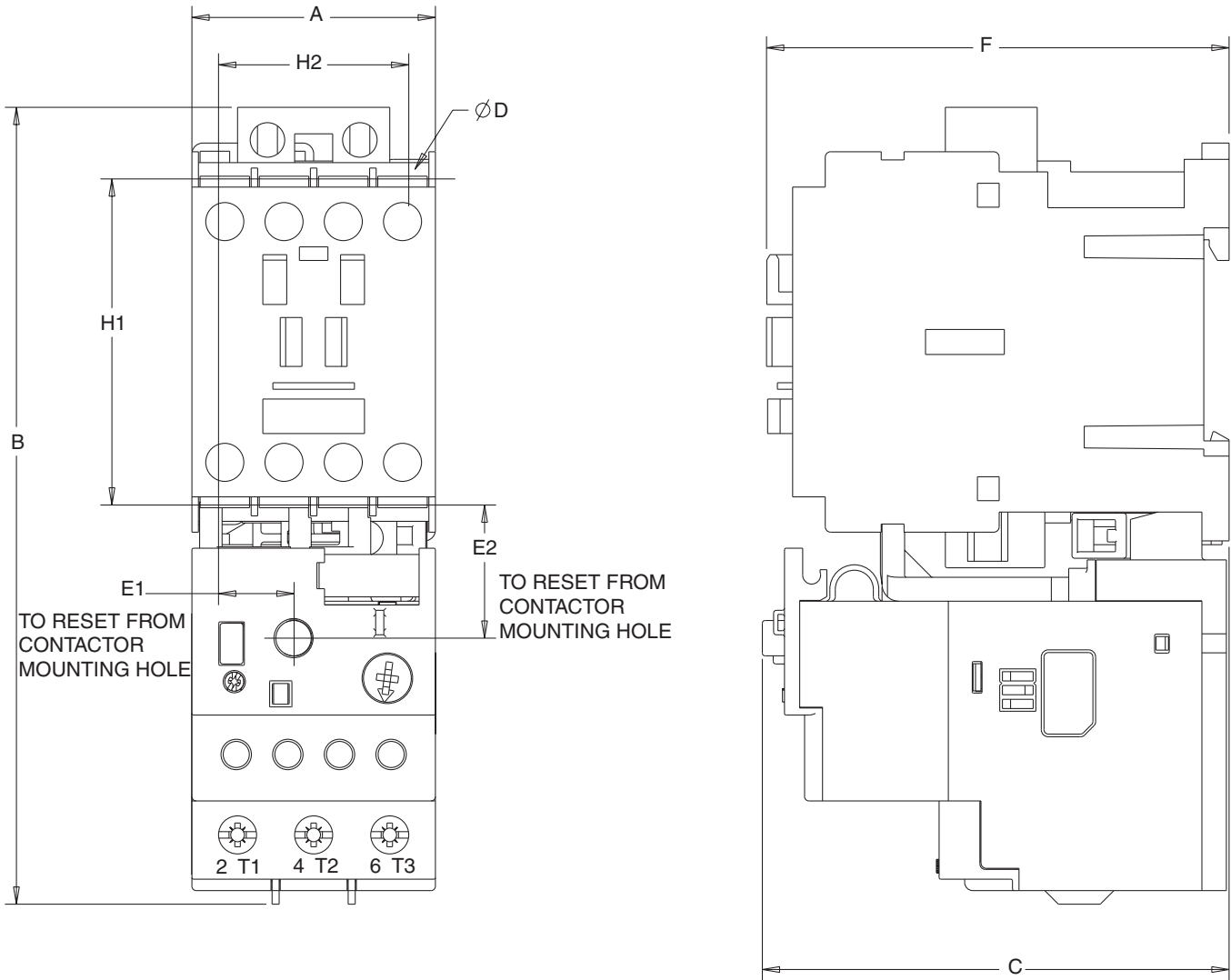


E1 Plus Solid-State Overload Relays

Approximate Dimensions

Dimensions are shown in millimeters (inches). Dimensions are not intended to be used for manufacturing purposes.

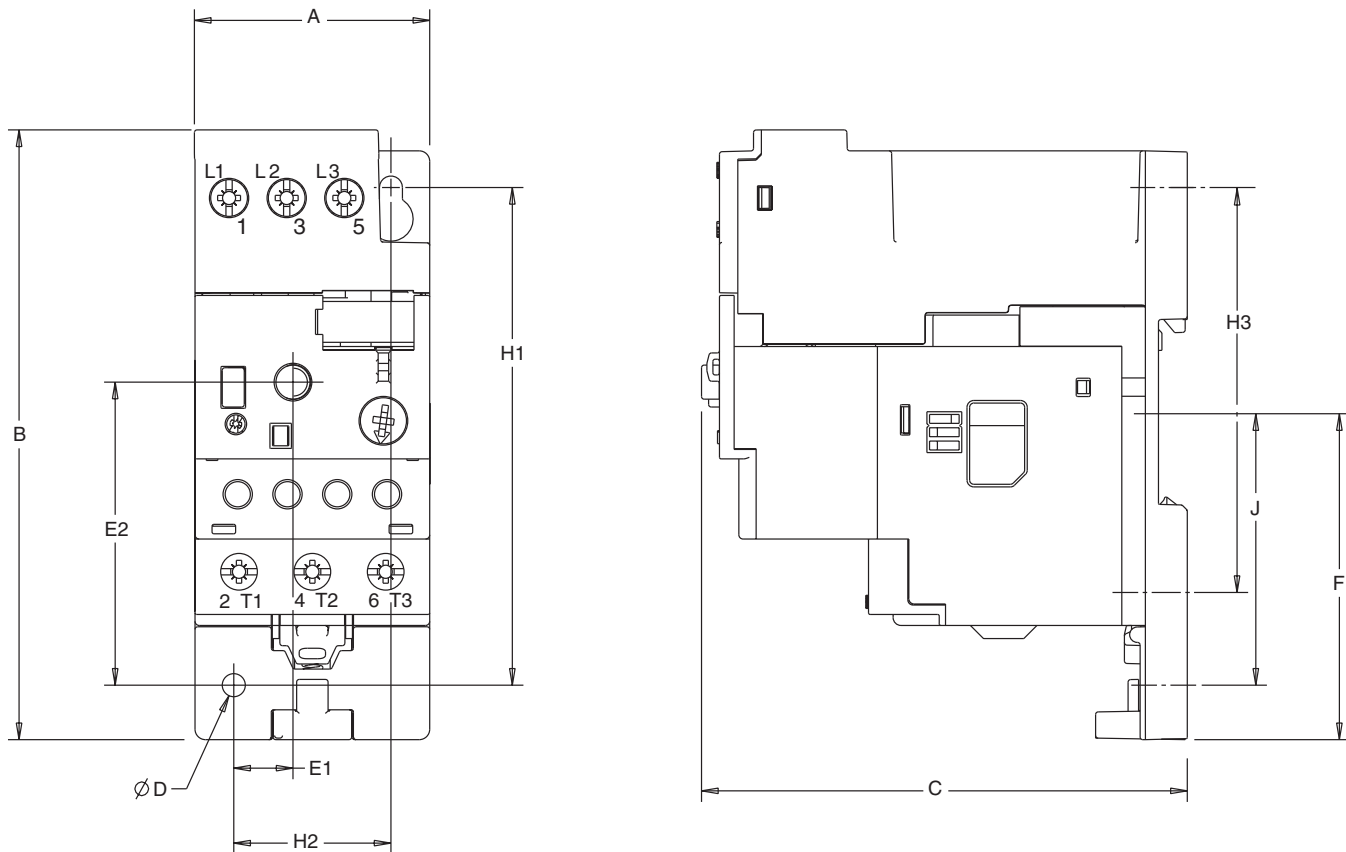
100-C Mounted



Overload Cat. No.	Contactor Cat. No.	A Width	B Height	C Depth	D	E1	E2	F	H1	H2
193-ED__B 193-EE__B 193R-EE__B 193S-EE__B	100-C09 100-C12 100-C16 100-C23	45 (1-25/32)	146.6 (5-25/32)	85.2 (3-23/64)	4.5 (3/16)	13.9 (35/64)	24.5 (31/32)	86.5 (3-13/32)	60 (2-23/64)	35 (1-3/8)
193-EE__D 193R-EE__D 193S-EE__D	100-C30 100-C37	45 (1-25/32)	146.6 (5-25/32)	101.2 (3-63/64)	4.5 (3/16)	13.9 (35/64)	24.5 (31/32)	104 (4-3/32)	60 (2-23/64)	35 (1-3/8)
193-EE__D 193R-EE__D 193S-EE__D	100-C43	54 (2-1/8)	146.6 (5-25/32)	101.2 (3-63/64)	4.5 (3/16)	18.9 (3/4)	24.5 (31/32)	104 (4-3/32)	60 (2-23/64)	45 (1-25/32)
193-EE__E 193R-EE__E 193S-EE__E	100-C60 100-C72 100-C85	72 (2-53/64)	192.3 (7-37/64)	120.4 (4-3/4)	5.4 (7/32)	23.8 (15/16)	29 (1-9/64)	125.5 (4-15/16)	100 (3-15/16)	55 (2-11/64)

Dimensions are shown in millimeters (inches). Dimensions are not intended to be used for manufacturing purposes.

Panel Adaptor Mounted



Panel Adaptor Cat. No.	Overload Cat. No.	A Width	B Height	C Depth	D	E1	E2	F	H1	H2	H3	J
193-EPB	193-ED_B	45 (1-25/32)	116.5 (4-19/16)	92.7 (3-21/32)	4.4 (11/64)	11.4 (29/64)	57.9 (2-9/32)	62.5 (2-15/32)	95 (3-3/4)	30 (1-3/16)	75 (2-31/32)	52.1 (2-3/64)
	193-EE_B											
	193R-EE_B											
193-EPD	193-EE_D	45 (1-25/32)	112.4 (4-7/16)	108.7 (4-9/32)	4.4 (11/64)	11.4 (29/64)	57.9 (2-9/32)	62.5 (2-15/32)	95 (3-3/4)	30 (1-3/16)	75 (2-31/32)	52.1 (2-3/64)
	193R-EE_D											
	193S-EE_D											
193-EPE	193-EE_E	72 (2-53/64)	107.4 (4-15/64)	127 (5/32)	5.5 (5/32)	26.4 (1-1/32)	54.5 (2-9/64)	48.3 (1-29/32)	90 (3-23/64)	60 (2-23/64)	—	43.3 (1-45/64)
	193R-EE_E											
	193S-EE_E											

DIN Rail / Panel Adaptor - Terminal Cross Sections

		Cat. No. 193-EPB ①	Cat. No. 193-EPD ①	Cat. No. 193-EPE
Flexible-Stranded with Ferrule	Single Conductor	1.0...4.0 mm ²	2.5...16 mm ²	4.0...35 mm ²
	Torque	1.8 N-m	2.3 N-m	4.0 N-m
	Two Conductor	1.0...4.0 mm ²	2.5...10 mm ²	4.0...25 mm ²
	Torque	1.8 N-m	2.3 N-m	4.0 N-m
Coarse-Stranded / Solid	Single Conductor	1.5...6.0 mm ²	2.5...25 mm ²	4.0...50 mm ²
	Torque	1.8 N-m	2.3 N-m	4.0 N-m
	Two Conductor	1.5...6.0 mm ²	2.5...16 mm ²	4.0...35 mm ²
	Torque	1.8 N-m	2.3 N-m	4.0 N-m
Stranded / Solid	Single Conductor	14...8 AWG	16...6 AWG	12...1 AWG
	Torque	16 lb-in	20 lb-in	35 lb-in
	Two Conductor	14...10 AWG	16...6 AWG	12...2 AWG
	Torque	16 lb-in	20 lb-in	35 lb-in

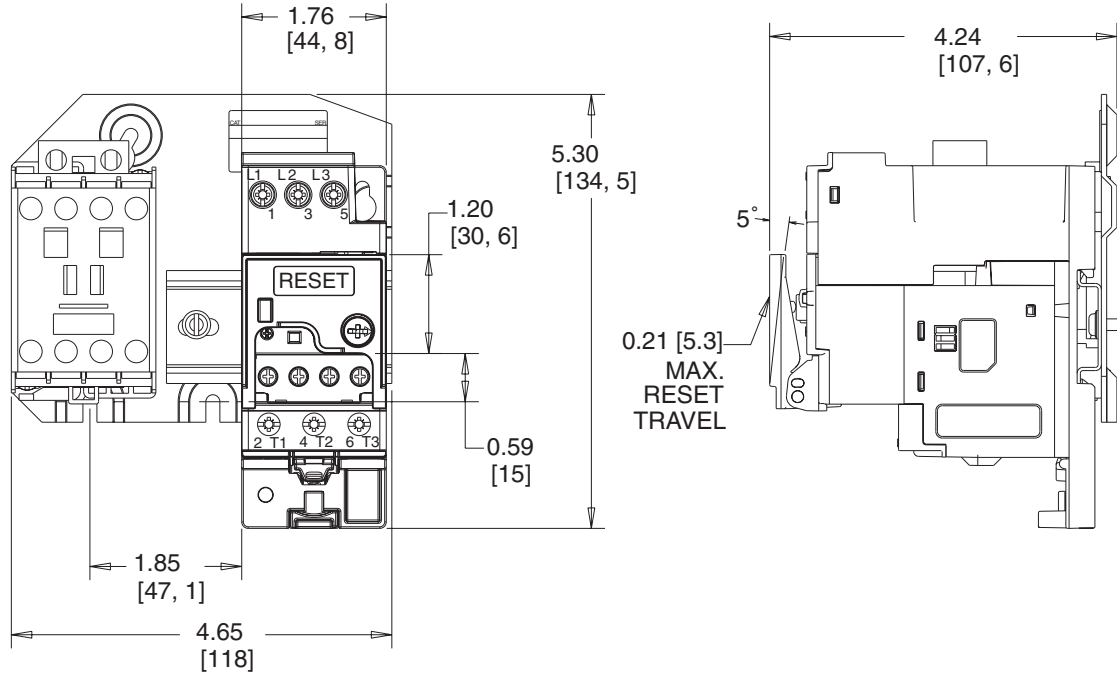
① For multiple conductor applications, the same size and style wire must be used.

E1 Plus Solid-State Overload Relays

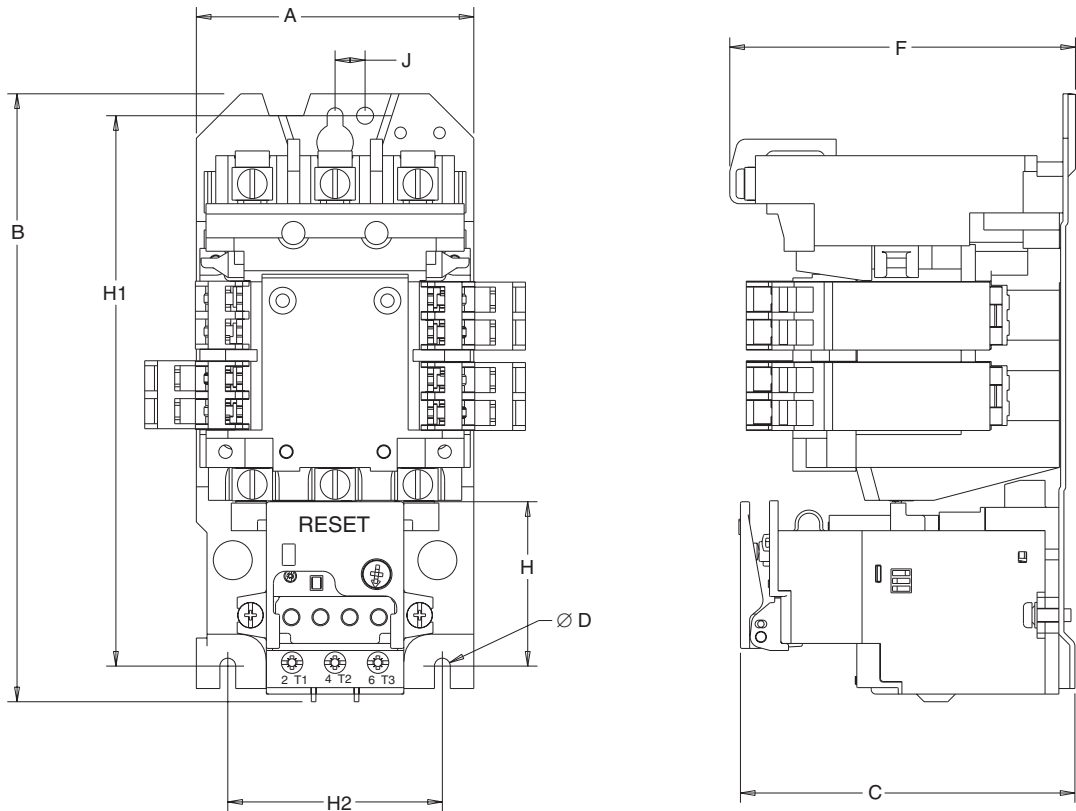
Approximate Dimensions, Continued

Approximate dimensions are shown in millimeters (inches). Dimensions are not intended to be used for manufacturing purposes.

Size 00



Size 0...3



Overload Cat. No.	Contactor Cat. No.	A	B	C	D	F	H1	H2	J
592-EE_C	Size 0, 1	91 (3-9/16)	198 (7-25/32)	114 (4-1/2)	5.2 (13/64)	113 (4-7/16)	180 (7-1/16)	70 (2-3/4)	9.8 (3/8)
592-EE_C	Size 2	100 (3-15/16)	233 (9-11/64)	114 (4-1/2)	5.2 (13/64)	119 (4-11/16)	219 (8-5/8)	80 (3-5/32)	9.8 (3/8)
592-EE_D	Size 3	155.5 (6-1/8)	336.7 (13-1/4)	154 (6-1/16)	7.1 (9/32)	150.1 (5-29/32)	219.9 (8-21/32)	139.9 (5-1/2)	19.9 (25/32)