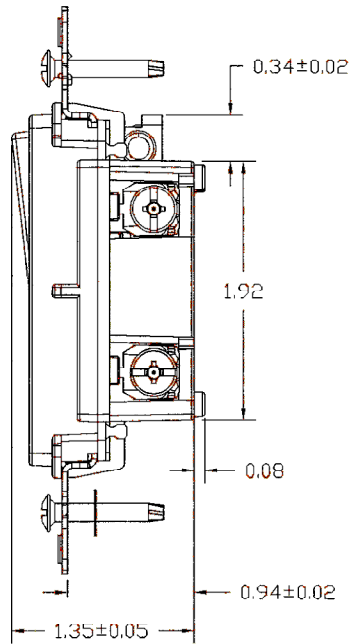
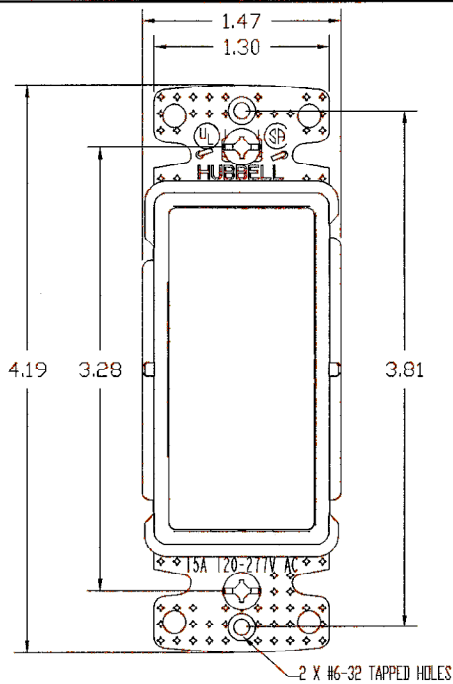


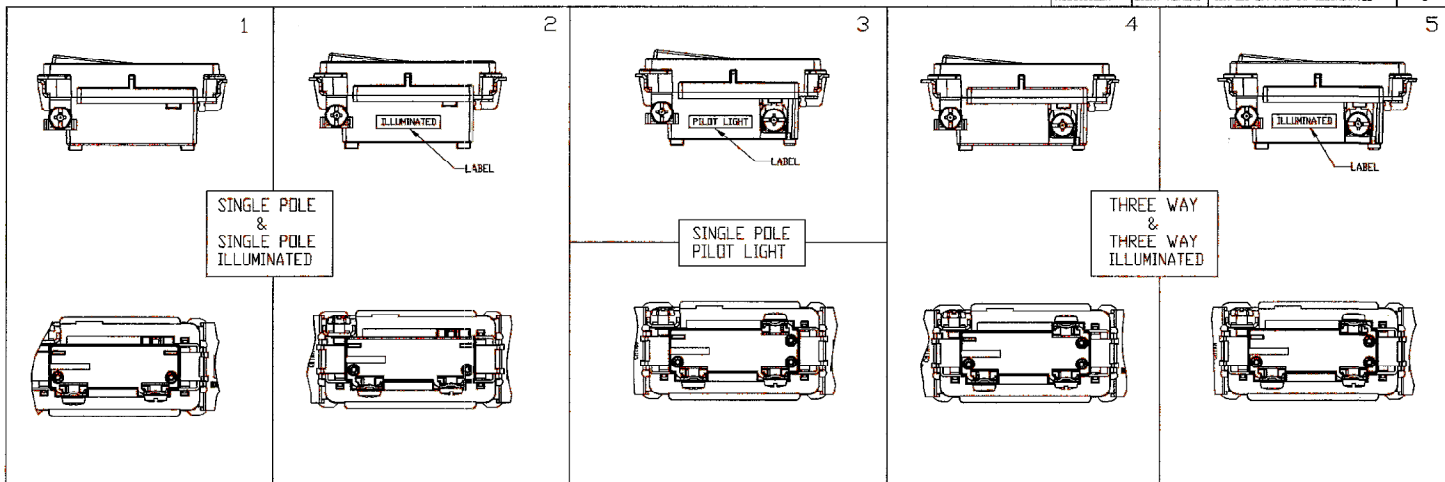
M-9662 1



BACK VIEW FIGURES

CATALOG NO.	ROCKER & TOP HOUSING COLOR	RATING/TYPE	VIEW FIGURE
RSD115	BROWN	15A 120-277VAC S.P.	1
RSD115I	IVORY	15A 120-277VAC S.P.	1
RSD115V	WHITE	15A 120-277VAC S.P.	1
RSD115GY	GRAY	15A 120-277VAC S.P.	1
RSD115BK	BLACK	15A 120-277VAC S.P.	1
RSD115AL	ALMOND	15A 120-277VAC S.P.	1
RSD115LA	LIGHT ALMOND	15A 120-277VAC S.P.	1
RSD115ILI	IVORY	15A 120-277VAC S.P. ILLUMINATED	2
RSD115ILV	WHITE	15A 120-277VAC S.P. ILLUMINATED	2
RSD115LAL	ALMOND	15A 120-277VAC S.P. ILLUMINATED	2
RSD115LLA	LIGHT ALMOND	15A 120-277VAC S.P. ILLUMINATED	2
RSD115PLI	IVORY	15A 120-277VAC S.P. PILOT LIGHT	3
RSD115PLV	WHITE	15A 120-277VAC S.P. PILOT LIGHT	3
RSD115PLAL	ALMOND	15A 120-277VAC S.P. PILOT LIGHT	3
RSD115PLLA	LIGHT ALMOND	15A 120-277VAC S.P. PILOT LIGHT	3
RSD315	BROWN	15A 120-277VAC 3W	4
RSD315I	IVORY	15A 120-277VAC 3W	4
RSD315V	WHITE	15A 120-277VAC 3W	4
RSD315GY	GRAY	15A 120-277VAC 3W	4
RSD315BK	BLACK	15A 120-277VAC 3W	4
RSD315AL	ALMOND	15A 120-277VAC 3W	4
RSD315LA	LIGHT ALMOND	15A 120-277VAC 3W	4
RSD315ILI	IVORY	15A 120-277VAC 3W ILLUMINATED	5
RSD315ILV	WHITE	15A 120-277VAC 3W ILLUMINATED	5
RSD315LAL	ALMOND	15A 120-277VAC 3W ILLUMINATED	5
RSD315LLA	LIGHT ALMOND	15A 120-277VAC 3W ILLUMINATED	5

LIST OF PARTS		
DESCRIPTION	MATERIAL	FINISH
ROCKER	PC	
TOP HOUSING	PVC	
BOTTOM HOUSING	PVC	
TERMINAL	BRASS	
STRAP	CALV. STEEL	
PLUNGER	NYLON	
SPRING	MUSIC WIRE	
CONTACT	AgCoO	
MOUNTING SCREW	STEEL	ZINC PLATE
BLACK SCREW	STEEL	BLACK NICKEL PLATE
WIRE CLAMP	BRASS	
BRASS SCREW	STEEL	BRASS PLATE
WHITE SCREW	STEEL	ZINC PLATE
GROUND SCREW	STEEL	Zn PLATE/GREEN FINISH
BUMPER	RUBBER	



RELEASABLE			NON-RELEASABLE		
1			2		
3			4		
5			6		
7			8		
9			10		
11			12		
13			14		
15			16		
17			18		
19			20		
21			22		
23			24		
25			26		
27			28		
29			30		
31			32		
33			34		
35			36		
37			38		
39			40		
41			42		
43			44		
45			46		
47			48		
49			50		
51			52		
53			54		
55			56		
57			58		
59			60		
61			62		
63			64		
65			66		
67			68		
69			70		
71			72		
73			74		
75			76		
77			78		
79			80		
81			82		
83			84		
85			86		
87			88		
89			90		
91			92		
93			94		
95			96		
97			98		
99			100		

1 RELEASE FOR PRODUCTION PER DCN 13763, FJ FJ 9/15/06

SYM REVISIONS APP DATE

THE DESIGN AND DIMENSIONS OF THE PRODUCT SHOWN ON THIS DRAWING ARE SUBJECT TO CHANGE WITHOUT NOTICE

TITLE
DECORATOR SWITCH

TOLERANCES UNLESS OTHERWISE SPECIFIED		WIRING DEVICE--KELLEMS HUBBELL INCORPORATED BRIDGEPORT, CT	
FRACTIONS ±1/64	DR. BY J.X	APP. BY Y.R	
DECIMALS ±.005	TR. BY J.X	SCALE	
ANGLES ±2'	CHK'D BY	DATE	