



Specifications

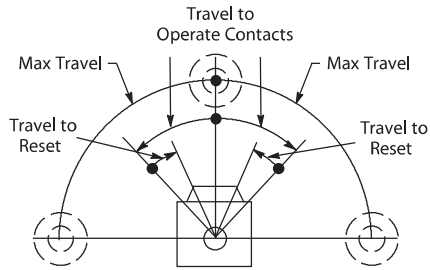
| Certifications | | UL Listed, CSA Certified, and CE Marked for applicable directives | | | | |
|--|-----------------|---|-------|-----------------------------------|------|-------|
| Environmental | | | | | | |
| Enclosure Type Rating | | NEMA 4, 13, 6P★, and IP67 | | | | |
| Pollution Degree | | 3 | | | | |
| Ambient Temperature [C (F)]‡ | | -18...+110° (0...+230°) Exception: Wobble stick and cat whisker devices are rated from -18...+54° (0...+130°) | | | | |
| AC Contact Rating (Maximum per Pole, 50 or 60 Hz, 2 Circuits Same Polarity) | | | | | | |
| NEMA Rating Designation | Max. Voltage | A | | Continuous Carrying Current | VA | |
| | | Make | Break | | Make | Break |
| A600 AC-15 | 120 | 60 | 6.00 | 10 | 7200 | 720 |
| | 240 | 30 | 3.00 | | | |
| | 480 | 15 | 1.50 | | | |
| | 600 | 12 | 1.20 | | | |
| B600S AC-15 | 120 | 30 | 3.00 | 5 | 3600 | 360 |
| | 240 | 15 | 1.50 | | | |
| | 480 | 7.5 | 0.75 | | | |
| | 600 | 6 | 0.60 | | | |
| AC Contact Rating (Maximum per Pole, 50 or 60 Hz, 4 Circuits Same Polarity) | | | | | | |
| NEMA Rating Designation | Max. Voltage | A | | Continuous Carrying Current | VA | |
| | | Make | Break | | Make | Break |
| A300 | 120 | 60 | 6.00 | 10 | 7200 | 720 |
| | 240 | 30 | 3.00 | | | |
| DC Contact Rating (Maximum per Pole) | | | | | | |
| Circuits | | Voltage Range | | Current Range | | |
| 2 | | 115...125 | | 0.4 A | | |
| | | 230...250 | | 0.2 A | | |
| | | 550...600 | | 0.1 A | | |
| 4 | | 115...125 | | 0.4 A | | |
| | | 230...250 | | 0.2 A | | |

Limit Switches

802T Lever Type • Spring Return

Plug-in Style Oiltight Switches

Range of Operation



Lever Operation with Standard Levers

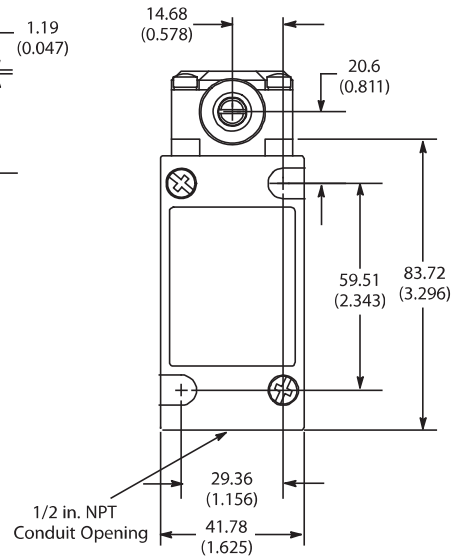
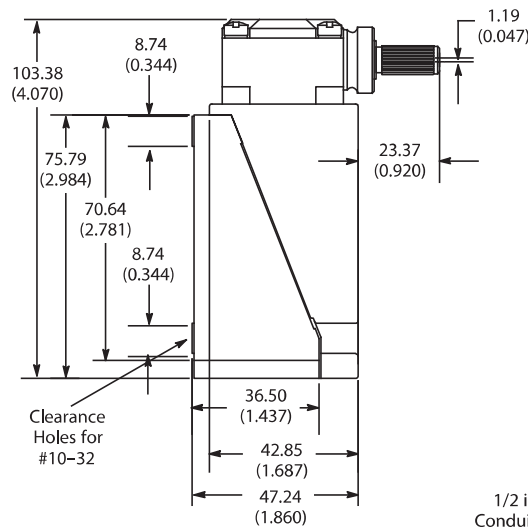
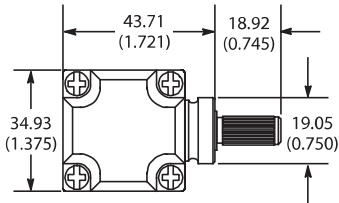


Switch without Lever

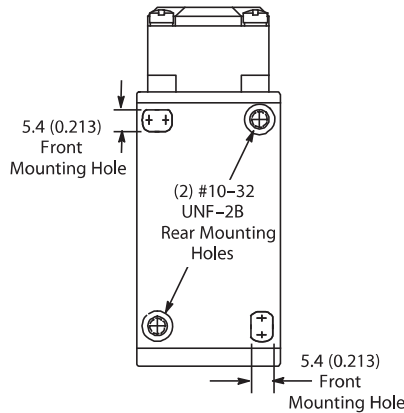
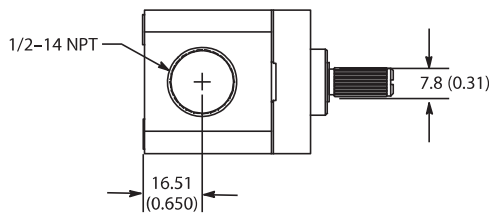


Switch without Lever and Base

Approximate Dimensions [mm (in.)]



Plug-in Switch
Shipping Wt. 0.571 kg (1.25 lb)

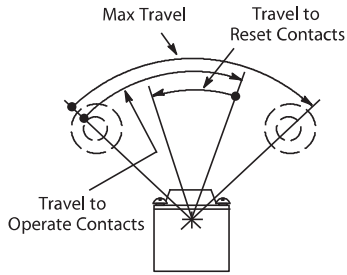


Limit Switches

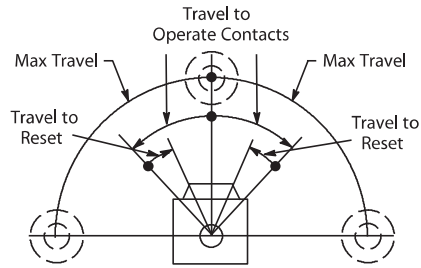
802T Lever Type • Maintained Contact and Neutral Position

Plug-in Style Oiltight Switches

Range of Operation



Maintained Contact Models



Natural Position Models

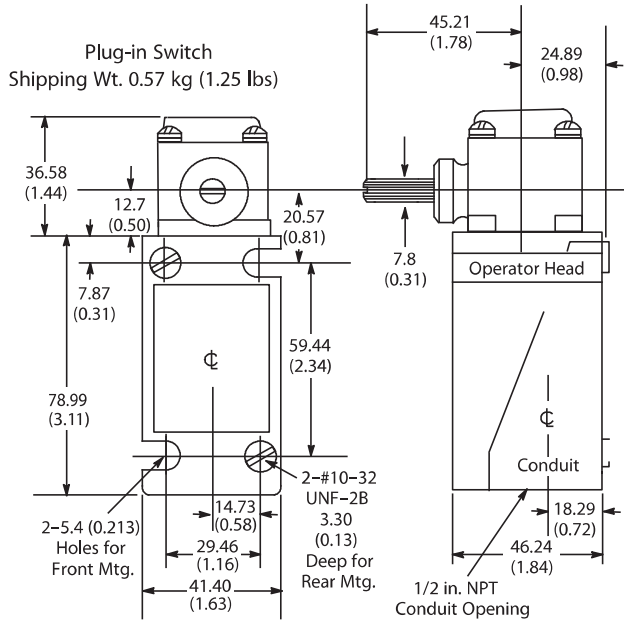


Switch without Lever



Switch without Lever and Base

Approximate Dimensions [mm (in.)]

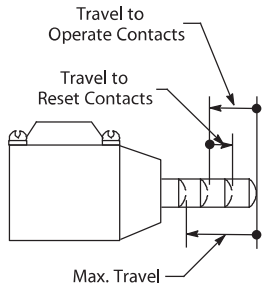


Limit Switches

802T Push Type • Spring Return

Plug-in Style Oiltight Switches

Range of Operation



Top Push Rod



Adjustable Top Push Rod



Side Push Rod

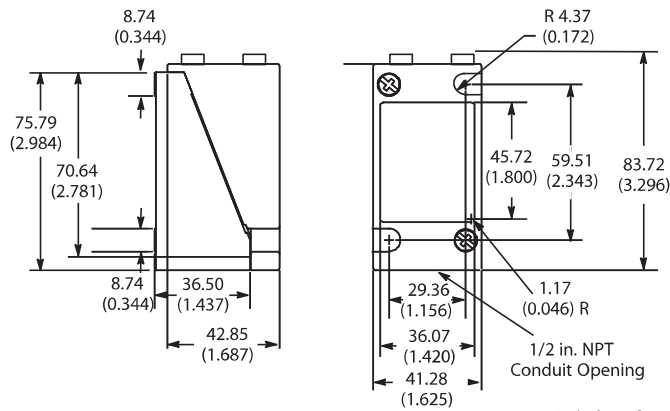


Top Push Roller

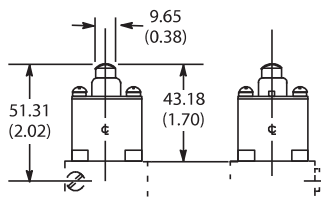
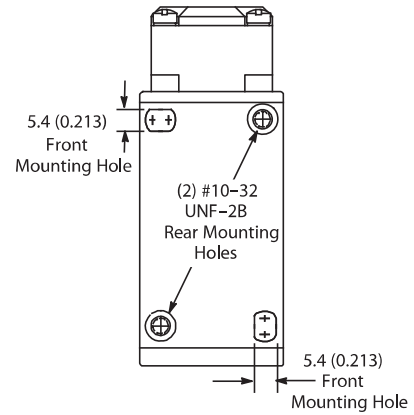


Side Push Horizontal Roller

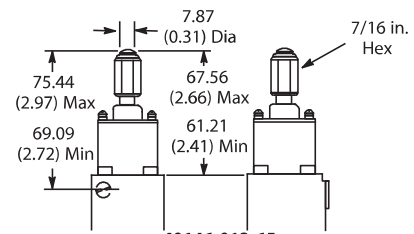
Approximate Dimensions [mm (in.)]



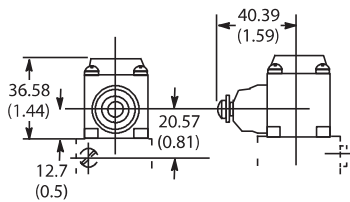
Switch Body



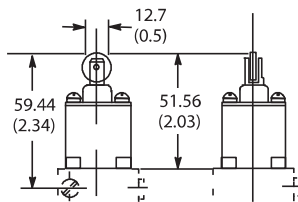
40146-013-59
Top Push Rod Head
Shipping Wt. 0.142 kg (5 oz)



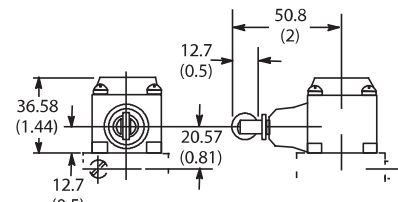
40146-013-65
Adjustable Top Push Rod Head
Shipping Wt. 0.142 kg (5 oz)



40146-017-63
Side Push Rod Head
Shipping Wt. 0.142 kg (5 oz)



40146-013-60
Top Push Roller Head
Shipping Wt. 0.142 kg (5 oz)



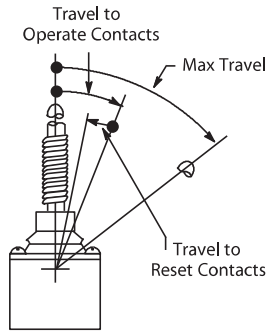
40146-017-64
Side Push Roller Head
Shipping Wt. 0.142 kg (5 oz)

Limit Switches

802T Wobble Stick and Cat Whisker • Spring Return

Plug-in Style Oiltight Switches

Range of Operation†



**Wobble Stick
Nylon Extension**



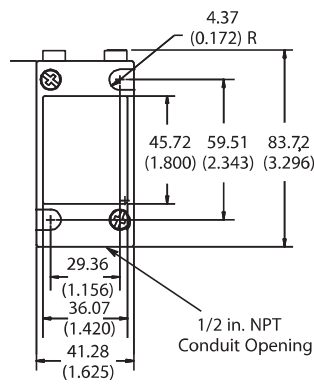
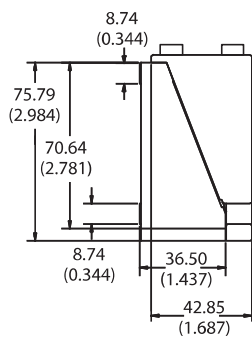
**Wobble Stick
Wire Extension**



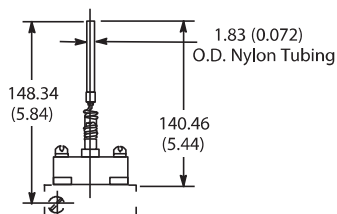
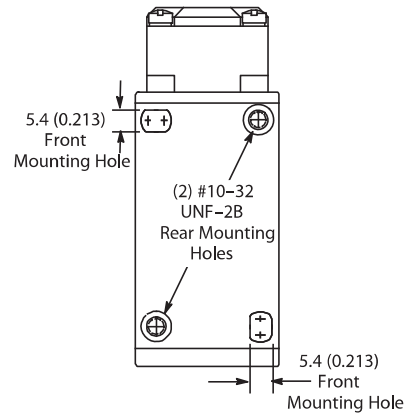
**Wobble Stick
Wire Extension**

† These switches should be mounted in such a way that the wobble stick or cat whisker will not be deflected beyond the "Maximum Travel" position, as this could cause undesirable repetition of contact action on rebound.

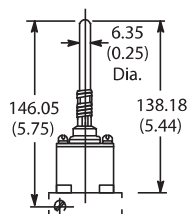
Approximate Dimensions [mm (in.)]



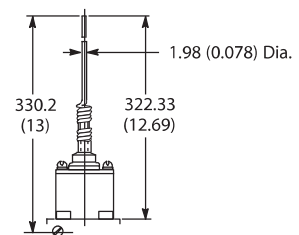
Switch Body



**40146-126-53
Cat Whisker Head
Shipping Wt. 0.09 kg (3 oz)**



**40146-113-53
Nylon Wobble Stick Head
Shipping Wt. 0.2 kg (7 oz)**



**40146-113-59
Wire Wobble Stick Head
Shipping Wt. 0.17 kg (6 oz)**

Limit Switches

802T Low Energy Lever Type • Spring Return

Plug-in Style Oiltight Switches

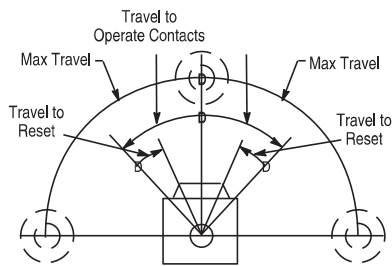


Specifications

| | |
|------------------------------|--|
| Certifications | CE Marked for all applicable directives, UL Listed, and CSA Certified |
| Environmental | |
| Enclosure Type Rating | NEMA 4, 13, and 6P* |
| Ambient Temperature [C (F)]§ | -18...110° (0...230°) -18...54° (0...130°) -40...110° (-40...230°) low temp. model |
| Input Voltage | 5...28V DC |
| Contact Rating | 0.40V A load per pole max. 0.025V A load per pole min. |

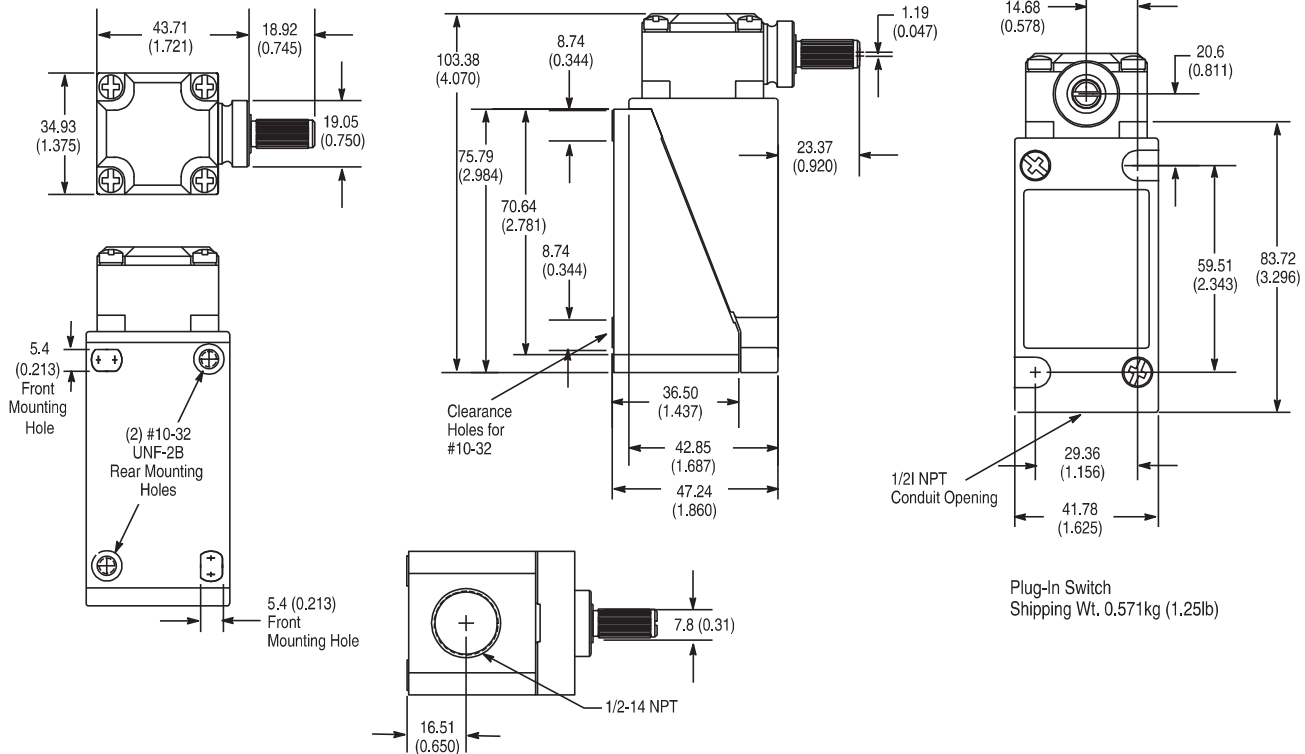
§ Temperature range below 0°C (+32°F) is based on the absence of freezing moisture or water.
* 6P only applies to lever type, except for low torque.

Range of Operation



Switch without Lever

Approximate Dimensions [mm (in.)]

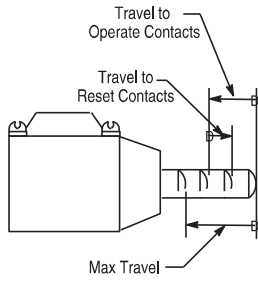


Limit Switches

802T Low Energy Push Type • Spring Return

Plug-in Style Oiltight Switches

Range of Operation



Side Push Rod

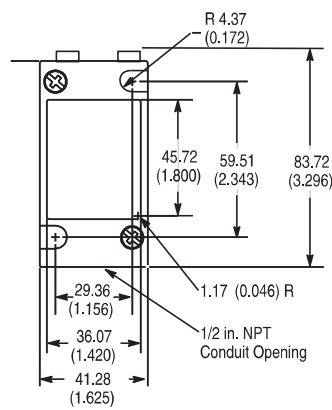
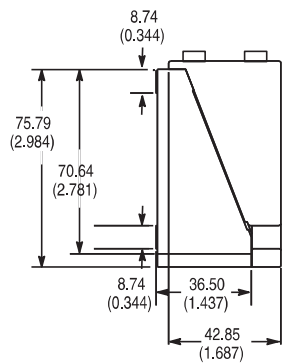


Top Push Roller

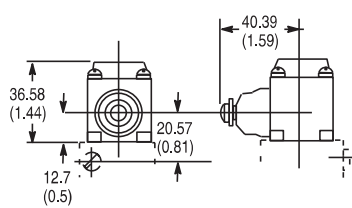
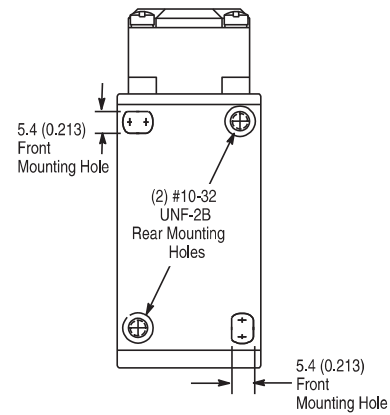


Side Push Horizontal Roller

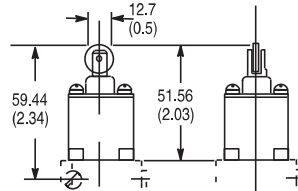
Approximate Dimensions [mm (in.)]



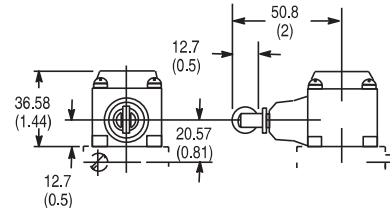
Switch Body



40146-017-63
Side Push Rod Head
Shipping Wt. 0.142kg (5oz)



40146-013-60
Top Push Roller Head
Shipping Wt. 0.142kg (5oz)



40146-017-64
Side Push Roller Head
Shipping Wt. 0.142kg (5oz)



Manifold Mount

Indicating Light

Manifold Mount

All two-circuit plug-in limit switches can be supplied with a special terminal base which permits mounting the switch manifold style on a machine base, panel, or raceway. As shown above, this base is supplied with a wiring hole and gasket on the back.

To order a manifold mount switch, add the letter **U** to the listed cat. no. Example: Cat. No. 802T-AP becomes Cat. No. 802T-APU.

Indicating Light

Bulletin 802T two-circuit plug-in limit switches (except for the cat whisker, wobble stick, and manifold mount devices) can be supplied with an indicating light. To order add the letter **N** for 120V AC, 50/60 Hz or **N5** for 240V AC 50/60 Hz. Example: Cat. No. 802T-AP becomes Cat. No. 802T-APN.

The indicating light is internally connected to two isolated terminals in the base assembly allowing the user to wire the light to either the N.O. or the N.C. contact. Switches with an indicating light have a contact rating of NEMA A300.

Where an indicator light and a pre-wired 5-pin mini connector are used, the light is pre-wired to the N.C. contact with J1 wiring and to the N.O. contact with J9 wiring. Indicating lights are not available on 4-circuit 802T switches.

Fluorinated Elastomer Seals

To order limit switches with all fluorinated elastomer seals, add the letter **V** to the end of the listed cat. no. **Not available** on manifold mount, low operating torque, low temperature, or limit switches with an indicating light.

To order lever type limit switches with the fluorinated elastomer shaft seal only, add **V1** to the end of the listed cat. no.

Base Assembly

The limit switch base, including the terminal block, is available as a separate unit per the following table.

| | Cat. No. |
|--------------------------------------|----------|
| 2-Circuit Base | 802T-X7 |
| 2-Circuit Base with Indicating Light | 802T-X7N |
| 2-Circuit Manifold Mount Base | 802T-X7U |
| 4-Circuit Base | 802T-X8 |

NPT to Metric Thread Adaptor

Brass 1/2-inch NPT thread to M20 thread adaptor. Used with metric cable glands where conduit entry switch has American NPT tapered threads. Compatible with all 1/2-inch NPT conduit entry limit switches, this adaptor is valuable accessory for any bulletin requiring conduit entry conversion to be compatible with metric thread.

| Description | Cat. No. |
|---|----------|
| Conduit Adapter 1/2-inch NPT to M20 metric thread | 802T-X5 |

Low Temperature Operation

Plug-in limit switches are designed to operate in an ambient temperature range of -18...+110 °C (0...+230 °F), -18...+54 °C (0...+130 °F) for wobble stick and cat whisker. Special limit switches modified for low temperature operation at -40...+110 °C (-40...+230 °F) are available.

Temperature ranges below 0 °C (+32 °F) are based on absence of freezing moisture or water. To order, add the letter **E** to cat. no. Not available on wobble stick, cat whisker or pre-wired cable switches; standard on low torque and maintained devices.

Pre-Wired Cable

To order factory installed pre-wired type "STOOW" cable for 2-circuit (5-conductor) and 4-circuit (9-conductor) switches, add the suffix **Y** plus the number of feet required. Example: Cat. No. 802T-AP becomes Cat. No. 802T-APY5 (for a limit switch with 1.5 m (5 ft) of cable).

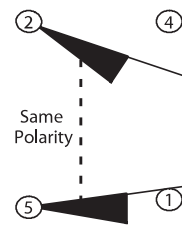
The standard cable length is 1.5 m (5 ft). Extended cable lengths are available only in multiples of 1.22 m (4 ft) up to 29.26 m (96 ft) for special orders.

Mini-Type Receptacles

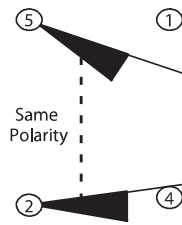
To order a Bulletin 802T pre-wired limit switch with a five-pin (2 circuit) or nine pin (4 circuit) mini connector, add the suffix **J1** or **J9** depending on desired wiring (J9 wiring not available for 4-circuit models).

5-Pin Mini-Type Receptade

"J1" Wiring



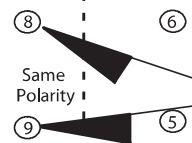
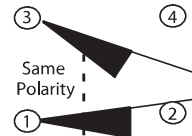
"J9" Wiring



An appropriate female connector with cable (Cat. No. 889N-F5AFC-6F) is available on [T-12061297].

9-Pin Mini-Type Receptade

"J1" Wiring ("J9" wiring not available for 4 circuit)



An appropriate female connector with cable (Cat. No. 889N-F9AF-2) is available on [T-12064388].

Limit Switches

802T

NonPlug-in Style Oiltight Switches



Specifications

| | |
|----------------|---|
| Certifications | UL Listed, CSA Certified, and CE Marked for all applicable directives ★ |
|----------------|---|

Environmental

| | |
|-----------------------|---------------|
| Enclosure Type Rating | NEMA 13, IP54 |
|-----------------------|---------------|

| | |
|------------------------------|---|
| Ambient Temperature [C (F)]‡ | Nonplug-in limit switches are designed to operate in an ambient temperature range of -18...+54 ° (0...+130 °) |
|------------------------------|---|

| | |
|------------------|---|
| Pollution Degree | 3 |
|------------------|---|

| NEMA Rating Designation | Max. Voltage | A | | Continuous Carrying Current | VA | |
|-------------------------|--------------|------|-------|-----------------------------|------|-------|
| | | Make | Break | | Make | Break |
| A600 AC-15 | 120 | 60 | 6.00 | 10 | 7200 | 720 |
| | 240 | 30 | 3.00 | | | |
| | 480 | 15 | 1.50 | | | |
| | 600 | 12 | 1.20 | | | |

DC Contact Rating (Max. per Pole, Same Polarity)

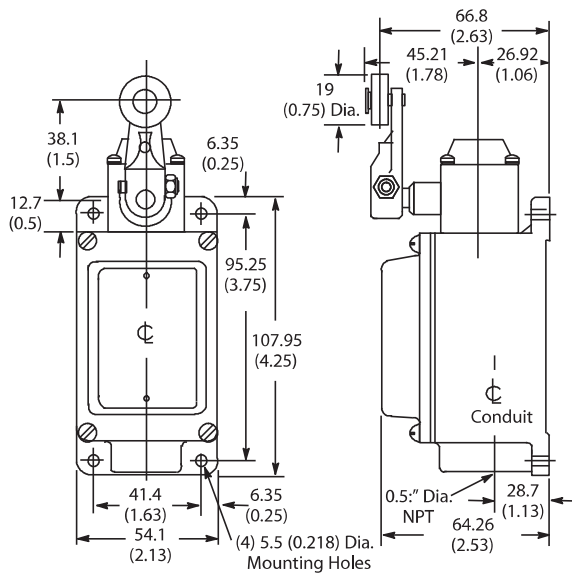
| Voltage Rating | | Current Rating | |
|----------------|--|----------------|--|
| 115...125 | | 0.4 A | |
| 230...250 | | 0.2 A | |
| 550...600 | | 0.1 A | |

★ Temperature range below 0 °C (32 °F) is based on the absence of freezing moisture or water. See page xxxx for Extended Temperature Option.



802T-R1TD with 802T-W1 Lever

Approximate Dimensions [mm (in.)]



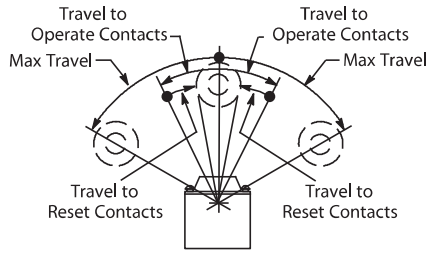
Time Delay Switch with Cat. No. 802T-W1 Lever
Shipping Wt. 0.90 kg (2 lb)

Limit Switches

802T 2-Circuit Lever Type • Spring Return

NonPlug-in Style Oiltight Switches

Range of Operation



Lever Operation with Standard Levers

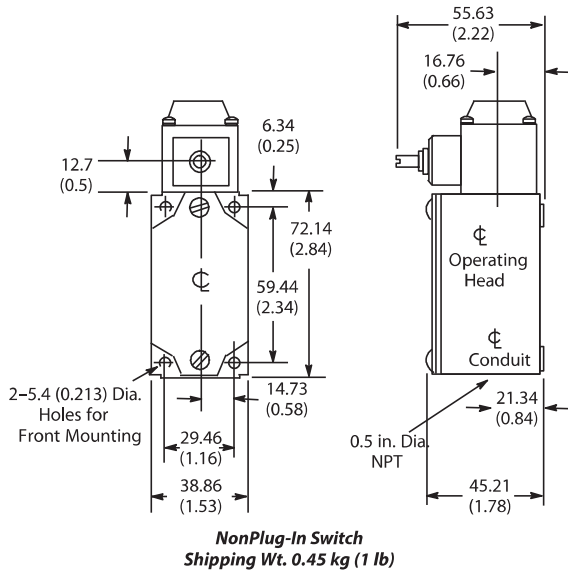


802T-A



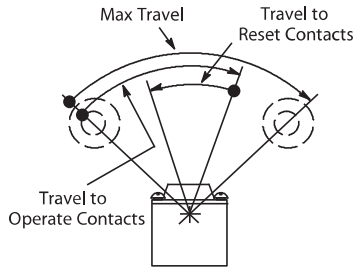
802T-ALW5

Approximate Dimensions [mm (in.)]

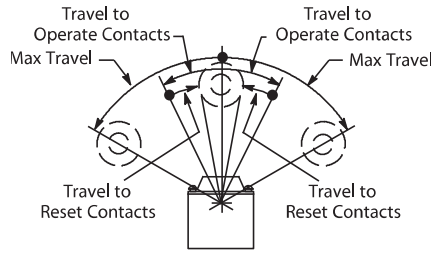


802T 2-Circuit Lever Type • Maintained Contact and Neutral Position NonPlug-in Style Oiltight Switches

Range of Operation



Maintained Contact Models



Natural Position Models

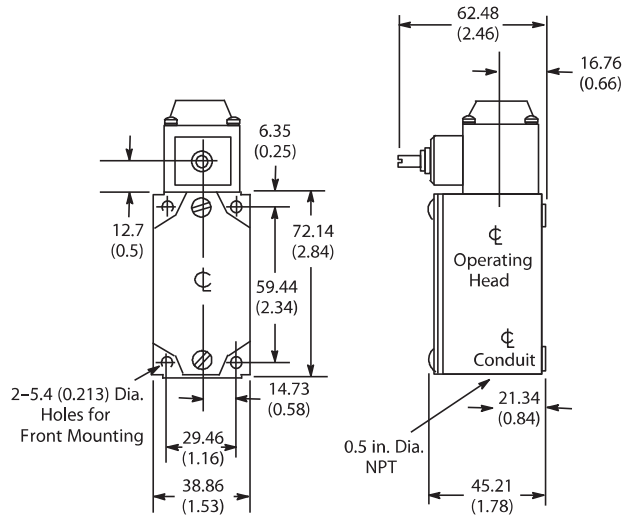


802T-AM

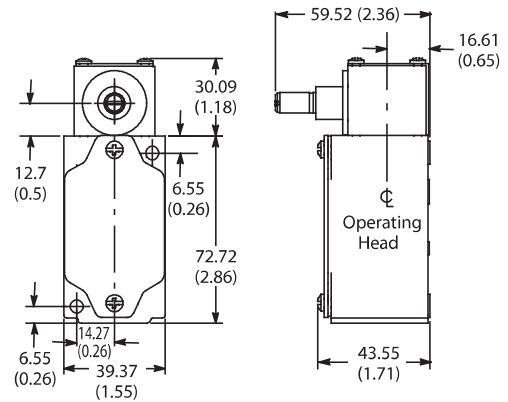


802T-NP

Approximate Dimensions [mm (in.)]



Cat. No. 802T-AM
Shipping Wt. 0.45 kg (1 lb)



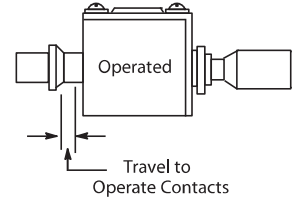
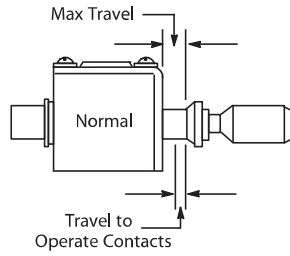
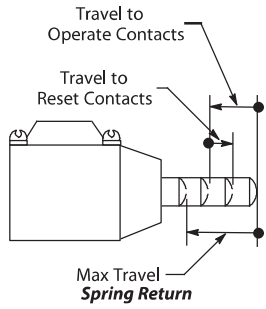
Cat. No. 802T-NP
Shipping Wt. 0.45 kg (1 lb)

Limit Switches

802T 2-Circuit Push Type • Spring Return & Maintained Contact

NonPlug-in Style Oiltight Switches

Range of Operation



Maintained



Top Push Rod



Adjustable Top Push Rod



Side Push Rod



Top Push Roller

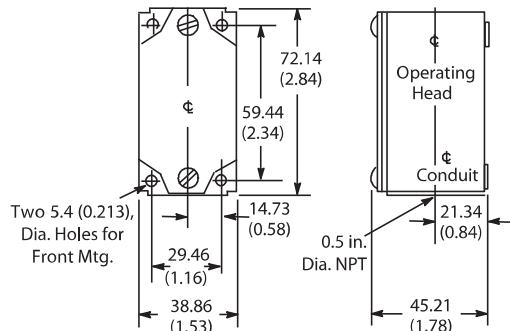


Side Push Roller

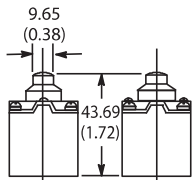


Side Push Rod Maintained

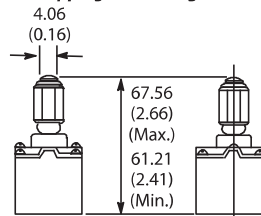
Approximate Dimensions [mm (in.)]



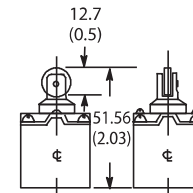
NonPlug-in Switch
Shipping Wt. 0.45 kg (1 lb)



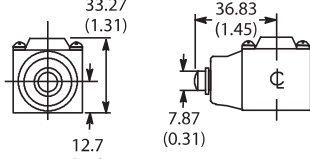
802-B Top Push Rod Head
Shipping Wt. 0.128 kg (4.5 oz)



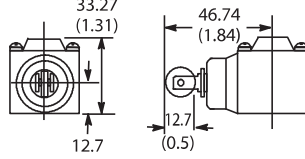
802-BA Adjustable Top Push Rod Head
Shipping Wt. 0.128 kg (4.5 oz)



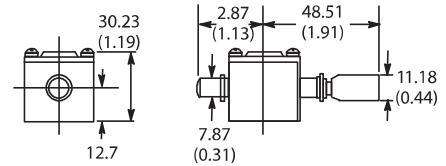
802-D Top Push Roller Head
Shipping Wt. 0.128 kg (4.5 oz)



802-C Side Push Rod Head
Shipping Wt. 0.128 kg (4.5 oz)



802-K Side Push Roller Head
Shipping Wt. 0.128 kg (4.5 oz)



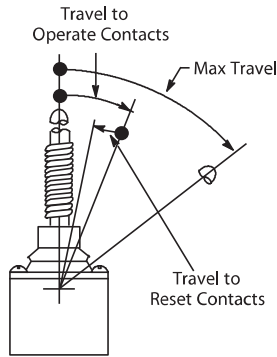
802-CM Maintained Side Push Rod Head
Shipping Wt. 4.5 oz (0.128 kg)

Limit Switches

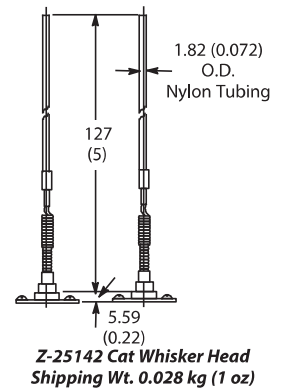
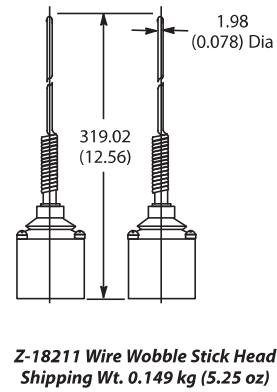
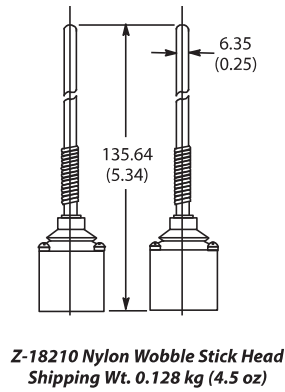
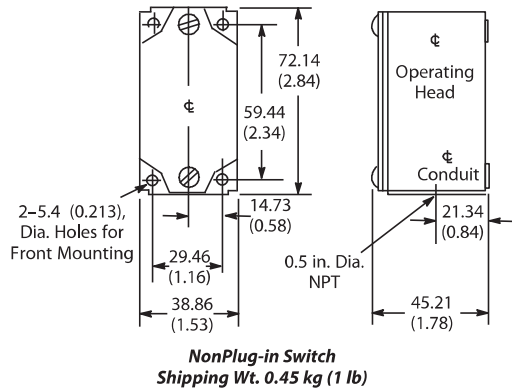
802T 2-Circuit Wobble Stick & Cat Whisker • Spring Return

NonPlug-in Style Oiltight Switches

Range of Operation



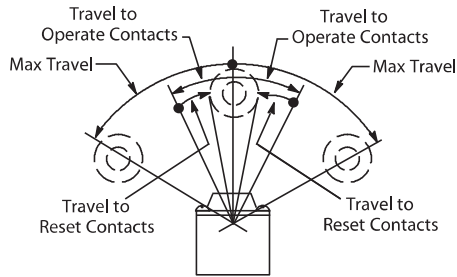
Approximate Dimensions [mm (in.)]



Limit Switches

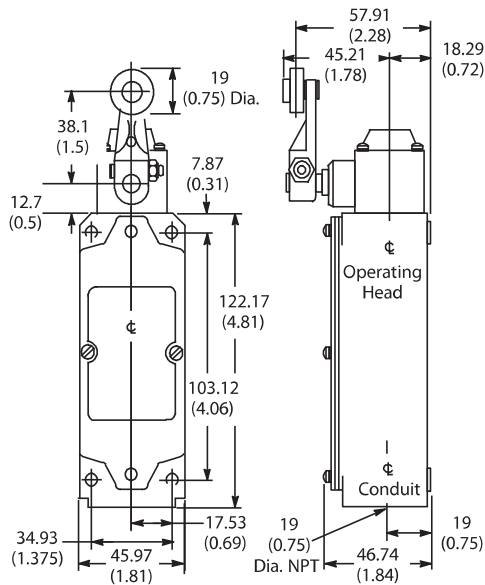
802T Vertical 4-Circuit Lever Type • Spring Return and Maintained Contact NonPlug-in Style Oiltight Switches

Range of Operation



Switch without Lever

Approximate Dimensions [mm (in.)]



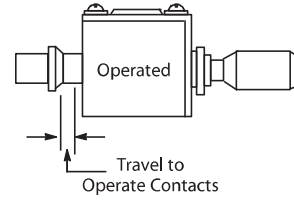
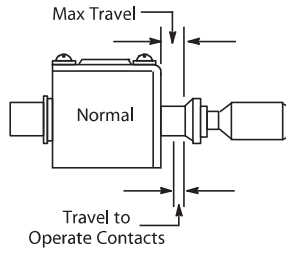
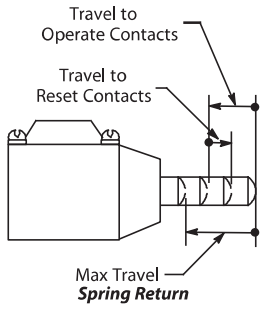
4-Circuit NonPlug-in Switch with 802T-W1 Lever
Shipping Wt. 0.57 kg (1.25 lb)

Limit Switches

802T Vertical 4-Circuit Lever Type • Spring Return and Maintained Contact

NonPlug-in Style Oiltight Switches

Range of Operation



Maintained



Top Rod



Adjustable Top Push Rod



Side Rod



Top Roller



Side Roller



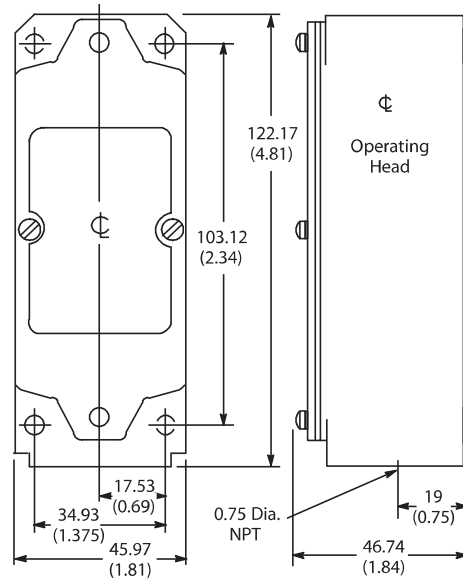
Side Rod

Limit Switches

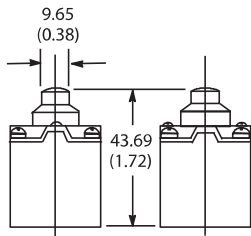
802T Vertical 4-Circuit Lever Type • Spring Return and Maintained Contact

NonPlug-in Style Oiltight Switches

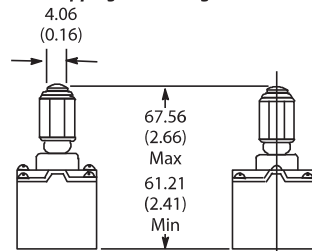
Approximate Dimensions [mm (in.)]



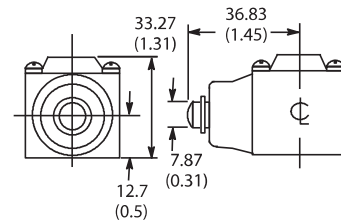
NonPlug-in Switch
Shipping Wt. 0.57 kg (1.25 lb)



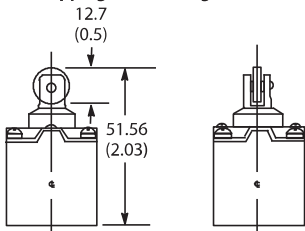
Cat. No. 802T-BT
Top Push Rod Head
Shipping Wt. 0.128 kg (4.5 oz)



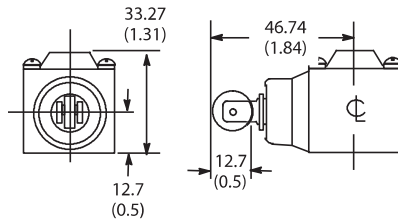
Adjustable Top Push Rod Head for Cat. No. 802T-BAT
Shipping Wt. 0.128 kg (4.5 oz)†



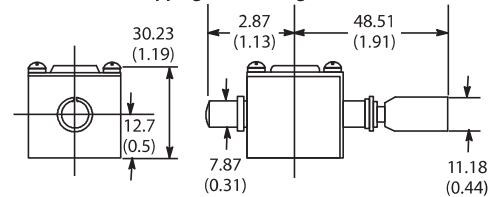
Cat. No. 802T-CT
Side Push Rod Head
Shipping Wt. 0.128 kg (4.5 oz)



Cat. No. 802T-DT
Top Push Roller Head
Shipping Wt. 0.128 kg (4.5 oz)



Cat. Nos. 802T-KT & 802T-K1T
Side Push Roller Head
Shipping Wt. 0.128 kg (4.5 oz)



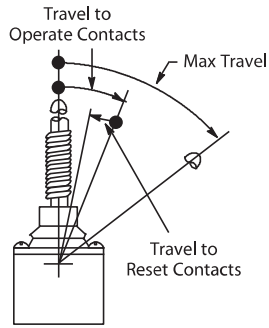
Cat. No. 802T-CMT
Maintained Side Push Rod Head
Shipping Wt. 0.128 kg (4.5 oz)

† Not sold separately.

Limit Switches

802T Vertical 4-Circuit Wobble Stick & Cat Whisker • Spring Return NonPlug-in Style Oiltight Switches

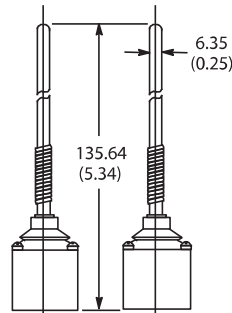
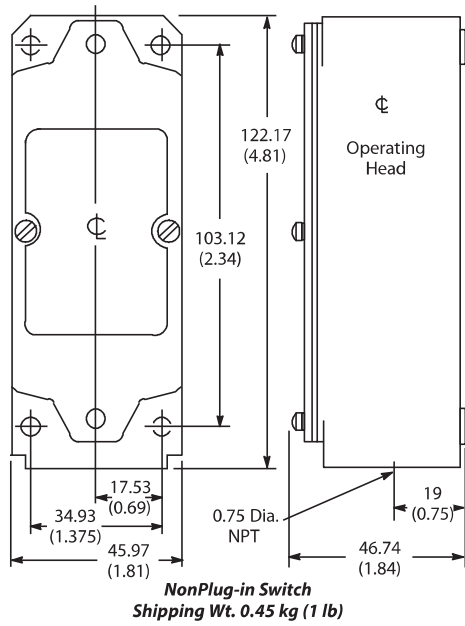
Range of Operation



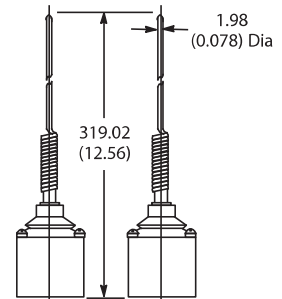
Travels Are Measured at Rigid Section of Stick or Whisker



Approximate Dimensions [mm (in.)]



Z-18210 Nylon Wobble Stick Head
Shipping Wt. 0.128 kg (4.5 oz)



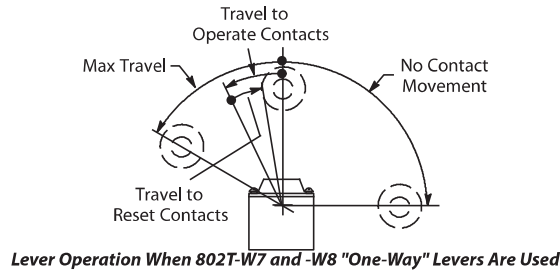
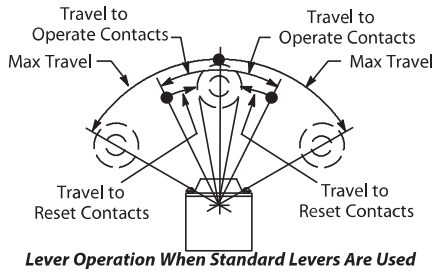
Z-18211 Wire Wobble Stick Head
Shipping Wt. 0.149 kg (5.25 oz)

Limit Switches

802T Horizontal 4-Circuit Lever Type • Spring Return

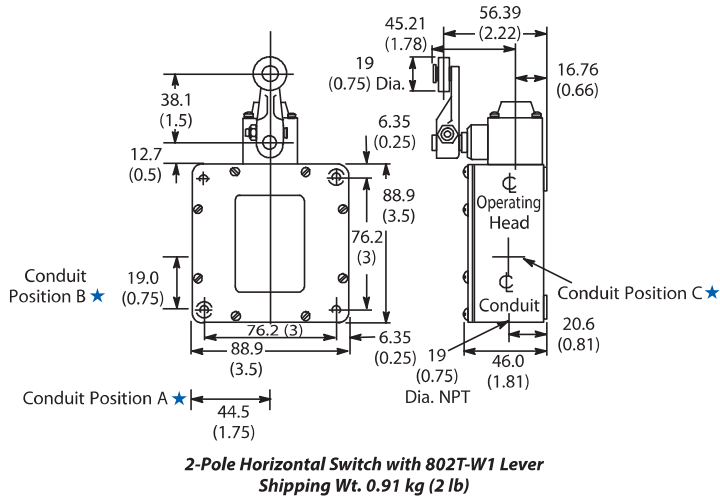
NonPlug-in Style Oiltight Switches

Range of Operation



Switch without Lever

Approximate Dimensions [mm (in.)]



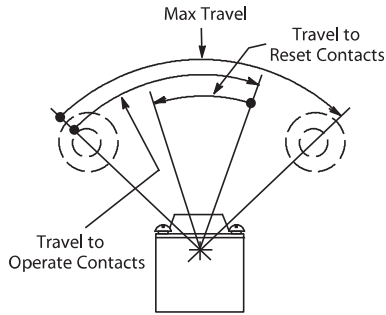
★ Conduit positions for modifications: S1, S2, S3

Limit Switches

802T Horizontal 4-Circuit Lever Type • Maintained Contact

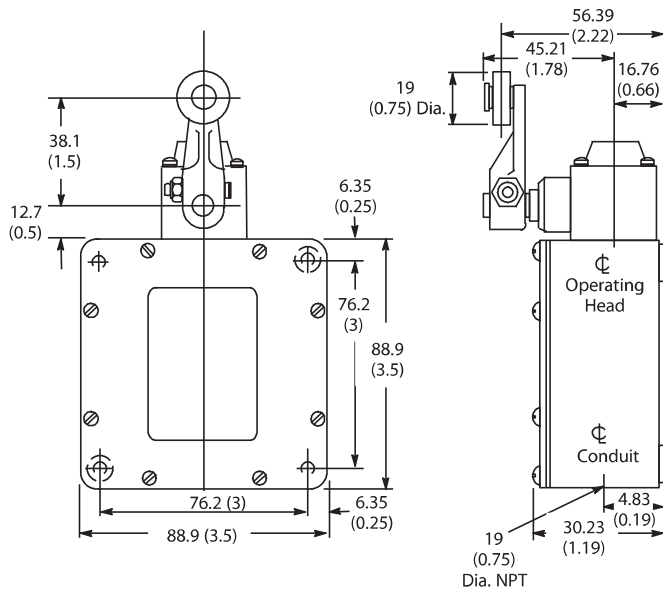
NonPlug-in Style Oiltight Switches

Range of Operation



Switch without Lever

Approximate Dimensions [mm (in.)]



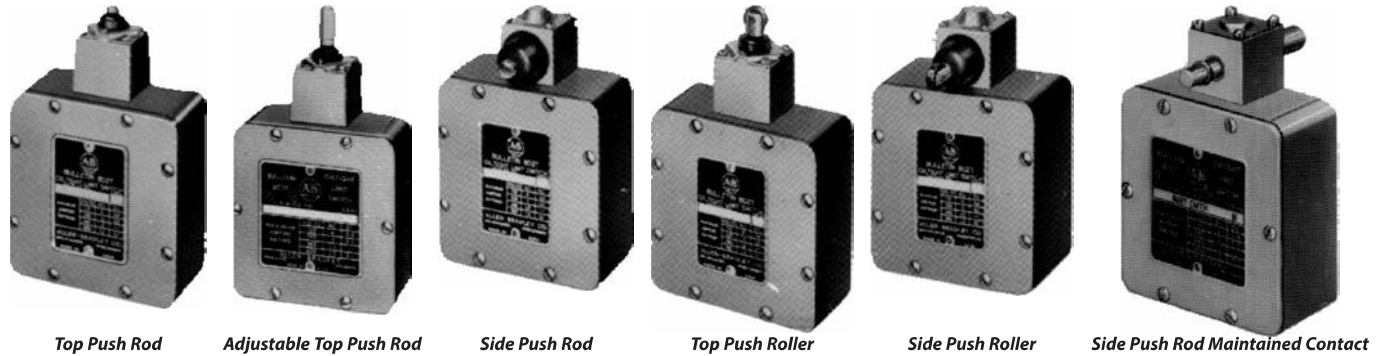
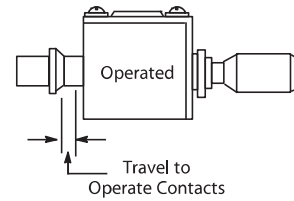
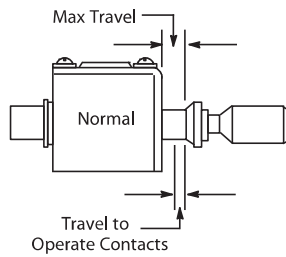
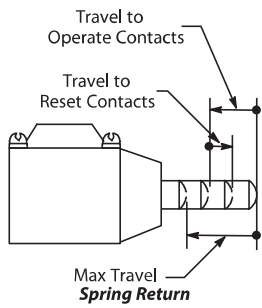
2-Pole Horizontal Switch with 802T-W1 Lever
Shipping Wt. 0.91 kg (2 lb)

Limit Switches

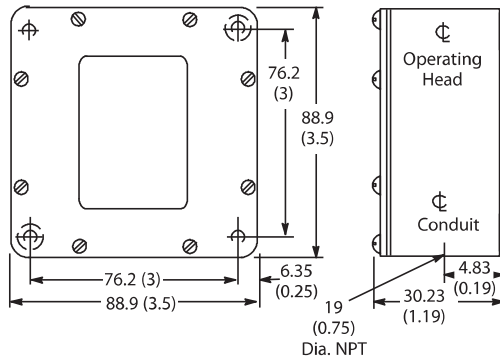
802T Horizontal 4-Circuit Push Type • Spring Return & Maintained Contact

NonPlug-in Style Oiltight Switches

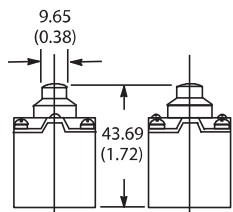
Range of Operation



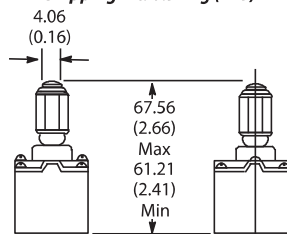
Approximate Dimensions [mm (in.)]



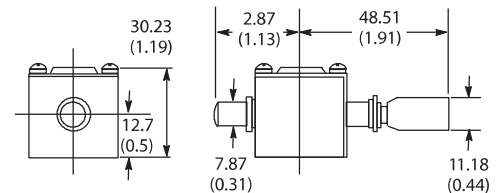
2-Pole Horizontal Switch Base
Shipping Wt. 0.91 kg (2 lb)



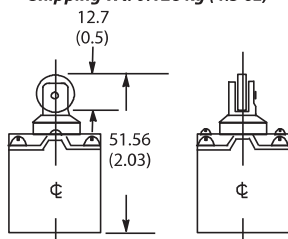
Z-19243
Top Push Rod Head
Shipping Wt. 0.128 kg (4.5 oz)



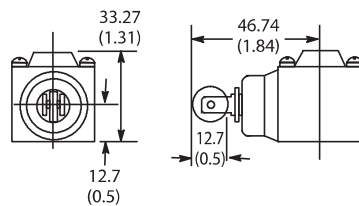
Adjustable Top Push Rod Head for 802T-KTH
Shipping Wt. 0.128 kg (4.5 oz)‡



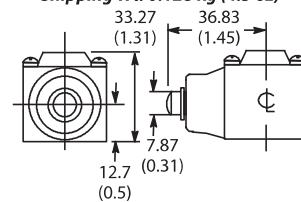
Z-21165
Side Push Rod Head
Shipping Wt. 0.128 kg (4.5 oz)



Z-19241
Top Push Roller Head
Shipping Wt. 0.128 kg (4.5 oz)



Z-21166
Side Push Roller Head
Shipping Wt. 0.128 kg (4.5 oz)



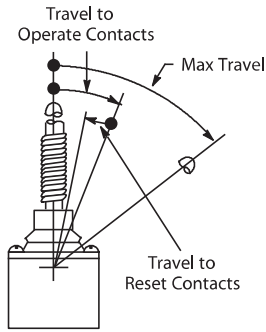
Z-21168
Maintained Side Push Rod Head
Shipping Wt. 0.128 kg (4.5 oz)

‡ Not sold separately.

Limit Switches

802T Horizontal 4-Circuit Wobble Stick & Cat Whisker • Spring Return NonPlug-in Style Oiltight Switches

Range of Operation



Travels Are Measured at Rigid Section of Stick

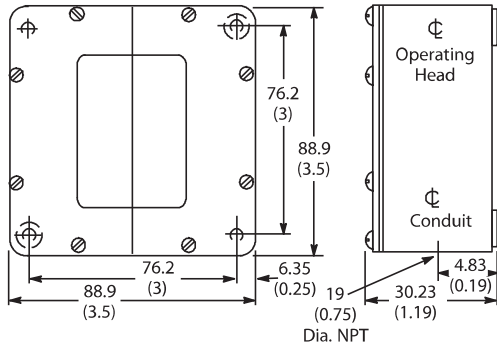


Wobble Stick

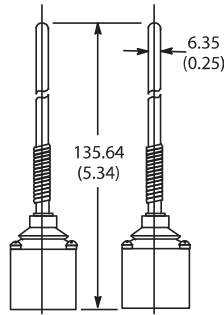


Cat Whisker

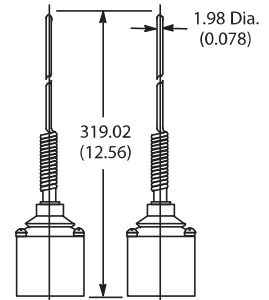
Approximate Dimensions [mm (in.)]



**2-Pole Horizontal Switch
Shipping Wt. 0.91 kg (2 lb)**

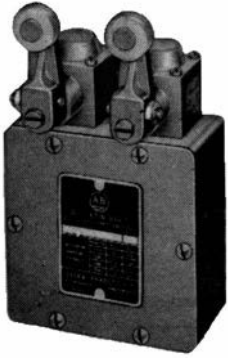


**Z-29195 Nylon Wobble Stick Head
Shipping Wt. 0.128 kg (4.5 oz)**



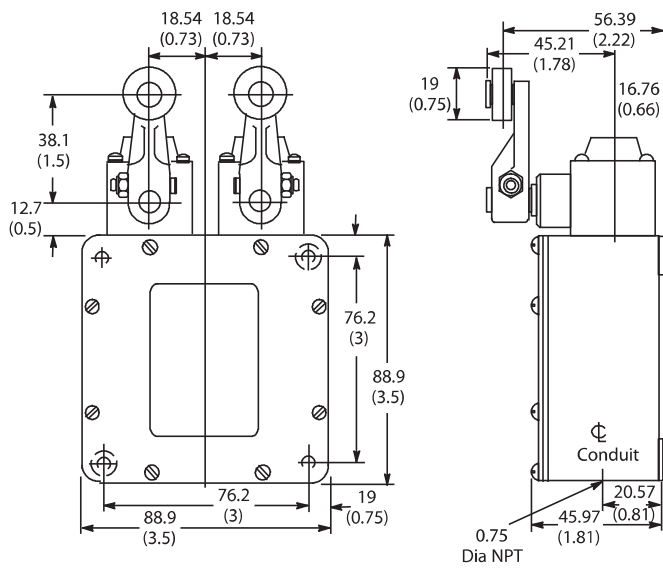
**Z-32109 Wire Wobble Stick Head
Shipping Wt. 0.149 kg (5.25 oz)**

Limit Switches
802T Dual Switch Lever/Push Types • Spring Return
 NonPlug-in Style Oiltight Switches



Dual Switch with 802T-W1 Levers

Approximate Dimensions [mm (in.)]



Dual Switch with 802T-W1 Levers
 Shipping Wt. 0.91 kg (2 lbs)

Limit Switches

802T Position Safety Switches

Direct Opening Action



Specifications

| Safety Ratings | | | | | |
|---|---|-------|--------|-------|-------|
| Standards | EN 954-1, ISO 13849-1, IEC/EN 60204-1, NFPA 79, EN 1088, ISO 14119, IEC/ EN 60947-5-1, ANSI B11.19, AS 4024.1 | | | | |
| Safety Classification | Cat. 1 Device per EN 954-1 Dual channel limit switch suitable for Cat. 3 or 4 systems | | | | |
| Functional Safety Data ★ Note: For up-to-date information, visit http://www.ab.com/Safety/ | | | | | |
| Certifications | CE Marked for all applicable directives, cULus Listed, and TÜV for 2- and 4-circuit models | | | | |
| Outputs | | | | | |
| Safety Contacts ‡ | 1 N.C. snap acting or 2 N.C. snap acting | | | | |
| Auxiliary Contacts | 1 N.O. snap acting or 2 N.O. snap acting | | | | |
| Thermal Current/ <i>I_{th}</i> | 10 A | | | | |
| Rated Insulation Voltage | 300V AC or 600V AC | | | | |
| Switching Current @ Voltage, Min. | — | | | | |
| Utilization Category | | | | | |
| A600/AC-15 | (Ue) | 600V | 500V | 240V | 120V |
| | (Ie) | 1.2 A | 1.4 A | 3.0 A | 6.0 A |
| N600/DC-13 | (Ue) | 600V | 500V | 250V | 125V |
| | (Ie) | 0.4 A | 0.55 A | 1.1 A | 2.2 A |
| Operating Characteristics | | | | | |
| Actuation Speed, Max. | 200 ft/min varies with applied loading and actuation method ★ | | | | |
| Actuation Speed, Min. | 200 ft/min varies with applied loading and actuation method ★ | | | | |
| Actuation Frequency, Max. | 8000 operations per hour | | | | |
| Mechanical Life | 20 million cycles | | | | |
| Environmental | | | | | |
| Enclosure Type Rating | NEMA 4, 6P, 12, 13 and IP65/67 | | | | |
| Operating Temperature [C (F)] | -18...+110° (0...+230°) | | | | |
| Pollution Degree | 3 | | | | |
| Physical Characteristics | | | | | |
| Housing Material | Die-cast alloy | | | | |
| Actuator Material | Various metals or plastics | | | | |
| Mounting | 2 #10 equal length fasteners | | | | |
| Vibration | Contact fragility (10...2000 Hz @ 0.06 inch peak-to-peak) | | | | |
| Shock | Contact fragility (25 Gn 3 pulses per axis) | | | | |
| Conduit Entry | 1/2 inch NPT or M20 | | | | |
| Color | Grey | | | | |

★ Usable for ISO 13849-1:2006 and IEC 62061. Data other than B10d is based on:

- Usage rate of 1op/10 mins., 24 hrs/day, 360 days/year, representing 51840 operations per year
- Mission time/Proof test interval of 38 years

‡ The safety contacts are described as normally closed (N.C.) i.e., with the guard closed, actuator in place (where relevant) and the machine able to be started.

AC Contact Rating (Maximum per Pole, 50 or 60Hz, 2 Circuits)

| NEMA Rating Designation | Max Voltage | A | | Continuous Carrying Current | VA | |
|-------------------------|-------------|------|-------|-----------------------------|------|-------|
| | | Make | Break | | Make | Break |
| A600 AC-15 | 120 | 60 | 6.00 | 10 | 7200 | 720 |
| | 240 | 30 | 3.00 | | | |
| | 480 | 15 | 1.50 | | | |
| | 600 | 12 | 1.20 | | | |

Limit Switches

802T Position Safety Switches

Direct Opening Action

AC Contact Rating (Maximum per Pole, 50 or 60Hz, 4 Circuits)

| NEMA Rating Designation | Max Voltage | A | | Continuous Carrying Current | VA | |
|-------------------------|-------------|------|-------|-----------------------------|------|-------|
| | | Make | Break | | Make | Break |
| A300 AC-15 | 120 | 60 | 6.00 | 10 | 7200 | 720 |
| | 240 | 30 | 3.00 | | | |

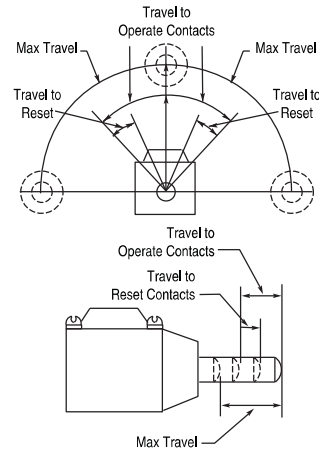
DC Contact Rating (Maximum per Pole)

| NEMA Rating Designation | Max Voltage | A | | Continuous Carrying Current | VA | |
|-------------------------|-------------|------|-------|-----------------------------|------|-------|
| | | Make | Break | | Make | Break |
| Q300 DC 13 | 250 | 0.27 | 0.27 | 2.5 | 69 | 69 |
| | 125 | 0.55 | 0.55 | | | |

Low Voltage DC

24V DC @ 1.1 Amps resistive load

Range of Operation



Approximate Dimensions [mm (in.)]

