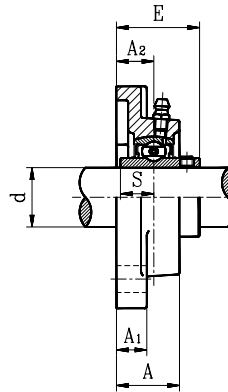
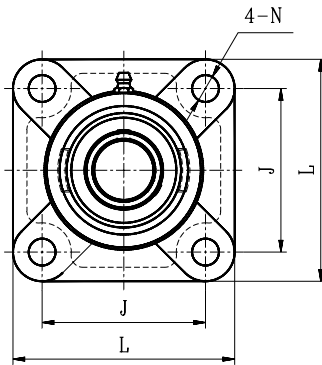


UCFX MEDIUM DUTY SETSCREW LOCKING TYPE



- Cast iron housing
- Wide inner ring bearing

Part No.	Shaft Dia. d		Dimension (in) (mm)								Bolt Size (in)	Bearing No.	Housing No.	Weight (lb)
	(in)	(mm)	L	J	A ₂	A ₁	A	E	N	S				
IDC UCFX05-25MM		25	4-1/4	3-17/64	45/64	33/64	1-3/16	1-37/64	15/32	5/8	3/8	UCX05-25MM 05-16	F206	2.20
IDC UCFX05-16	1		108	83	18	13	30	40.2	12	15.9				
IDC UCFX06-18	1-1/8										1/2	UCX06-18 06-19	F207	3.75
IDC UCFX06-19	1-3/16		4-39/64	3-5/8	3/4	35/64	1-11/32	1-3/4	5/8	11/16				
IDC UCFX06-30MM		30	117	92	19	14	34	44.4	16	17.5	1/2	06-30MM 06-20	F207	3.75
IDC UCFX06-20	1-1/4													
IDC UCFX07-20	1-1/4										1/2	UCX07-20 07-22	F208	4.63
IDC UCFX07-22	1-3/8		5-1/8	4-1/64	53/64	35/64	1-1/2	2-1/64	5/8	3/4				
IDC UCFX07-23	1-7/16		130	102	21	14	38	51.2	16	19	1/2	07-23 07-35MM	F208	4.63
IDC UCFX07-35MM		35												
IDC UCFX08-24	1-1/2		5-25/64	4-9/64	55/64	35/64	1-37/64	2-1/16	3/4	3/4	5/8	UCX08-24 08-40MM	F209	5.29
IDC UCFX08-40MM		40	137	105	22	14	40	52.2	19	19				
IDC UCFX09-26	1-5/8										5/8	UCX09-26 09-27	F210	5.51
IDC UCFX09-27	1-11/16		5-5/8	4-3/8	29/32	35/64	1-37/64	2-3/16	3/4	3/4				
IDC UCFX09-45MM		45	143	111	23	14	40	55.6	19	19	5/8	09-45MM 09-28	F210	5.51
IDC UCFX09-28	1-3/4													
IDC UCFX10-30	1-7/8										5/8	UCX10-30 10-31	F211	8.60
IDC UCFX10-31	1-15/16		6-3/8	5-1/8	1-1/32	25/32	1-47/64	2-11/32	3/4	7/8				
IDC UCFX10-50MM		50	162	130	26	20	44	59.4	19	22.2	5/8	10-50MM 10-32	F211	8.60
IDC UCFX10-32	2													
IDC UCFX11-34	2-1/8										5/8	UCX11-34 11-35	F212	10.80
IDC UCFX11-35	2-3/16		6-57/64	5-5/8	1-9/64	25/32	1-59/64	2-45/64	3/4	1				
IDC UCFX11-55MM		55	175	143	29	20	49	68.7	19	25.4	5/8	11-55MM 11-36	F212	10.80
IDC UCFX11-36	2-1/4													
IDC UCFX12-38	2-3/8										5/8	UCX12-38 12-39	F213	11.46
IDC UCFX12-39	2-7/16		7-23/64	5-55/64	1-11/32	53/64	2-21/64	2-29/32	3/4	1				
IDC UCFX12-60MM		60	187	149	34	21	59	73.7	19	25.4	5/8	12-60MM 12-60MM	F213	11.46
IDC UCFX13-40	2-1/2		7-23/64	5-55/64	1-11/32	53/64	2-21/64	3-3/32	3/4	1-3/16				
IDC UCFX13-65MM		65	187	149	34	21	59	78.4	19	30.2	5/8	UCX13-40 13-65MM	FX13	11.68
IDC UCFX14-43	2-11/16													
IDC UCFX14-44	2-3/4		7-3/4	5-63/64	1-29/64	15/16	2-23/64	3-13/64	29/32	1-5/16	3/4	UCX14-43 14-44	FX14	16.09
IDC UCFX14-70MM		70	197	152	37	24	60	81.5	23	33.3				
IDC UCFX15-47	2-15/16										3/4	UCX15-47 15-48	FX15	17.86
IDC UCFX 15-48	3		7-3/4	5-63/64	1-37/64	15/16	2-43/64	3-33/64	29/32	1-5/16				
IDC UCFX15-75MM		75	197	152	40	24	68	89.3	23	33.3	3/4	15-48 15-75MM	FX15	17.86
IDC UCFX15-75MM		75												

Dual seal standard. Triple lip seal (R3 suffix) optional.