

## Finger Guards

The HPS Imperator series of machine tool industrial molded control transformers up to and including 1500Va are available with the following optional finger guard kits:

### Optional Unfused Finger Guard Kits

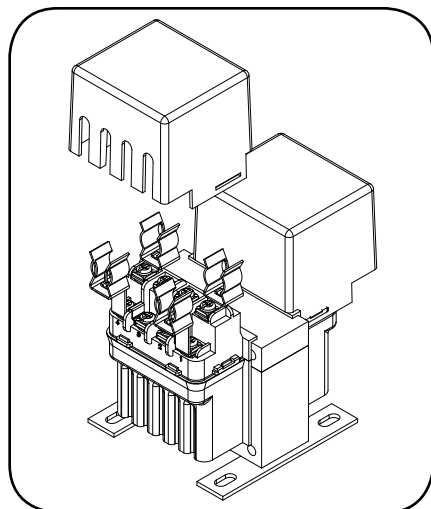
Kit Part Number	Applicable Transformer Part Number Suffix's	Applicable VA Sizes	Parts Included in Kit
FG1	AJ, AR, MQMJ, MEMX, QR, SP, PG, PP	50	1 finger guard (unfused), PHAK1 instruction sheet
FG2	MBMH, MGJ, MLI	50	1 finger guard (unfused), PHAK1 instruction sheet
FG2	All	75	1 finger guard (unfused), PHAK1 instruction sheet
FG2	All (excluding PH100MBMH) <i>refer to FG3, FG4 or FG5 below</i>	100	1 finger guard (unfused), PHAK1 instruction sheet
N/A	N/A	150 to 1500 2000 to 5000	

Note: Each finger guard kit supplies either the primary or secondary side.

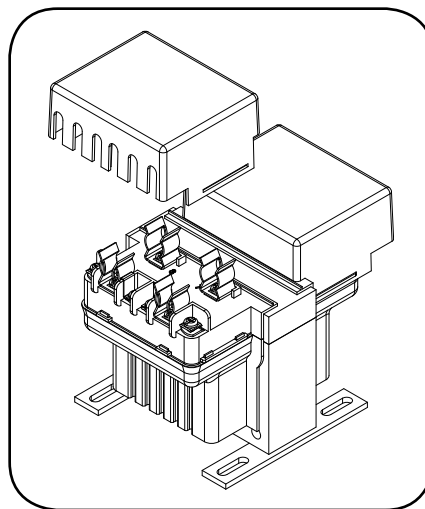
### Optional Fused Finger Guard Kits

Kit Part Number	Applicable Transformer Part Number Suffix's	Applicable VA Sizes	Parts Included in Kit
FGF1	AJ, AR, MQMJ, MEMX, QR, SP, PG, PP	50	1 finger guard (fused), PHAK1 instruction sheet
FGF2	MBMH, MGJ, MLI	50	1 finger guard (fused), PHAK1 instruction sheet
FGF2	All	75	1 finger guard (fused), PHAK1 instruction sheet
FGF2	All (excluding PH100MBMH)	100	1 finger guard (fused), PHAK1 instruction sheet
FG3	MBMH	100	1 finger guard, PHAK1 instruction sheet
FG3	All	150	1 finger guard, PHAK1 instruction sheet
FG3	AJ, AR, MQMJ, MEMX, QR, SP, PG, PP	250	1 finger guard, PHAK1 instruction sheet
FG4	MBMH, MGJ, MLI	250	1 finger guard, PHAK1 instruction sheet
FG4	All	350, 500	1 finger guard, PHAK1 instruction sheet
FG4	AJ, AR, MQMJ, QR, SP, PP	750	1 finger guard, PHAK1 instruction sheet
FG5	MBMH, MEMX, MGJ, MLI, PG	750	1 finger guard, PHAK1 instruction sheet
FG5	All	1000, 1500	1 finger guard, PHAK1 instruction sheet
N/A	N/A	2000 to 5000	

Note: Each finger guard kit supplies either the primary or secondary side.



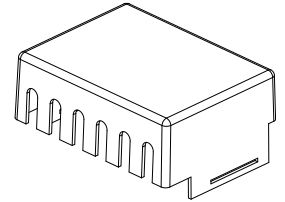
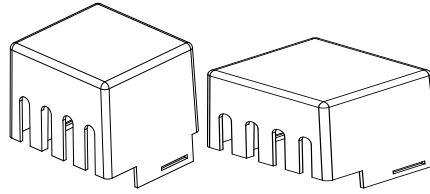
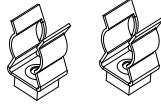
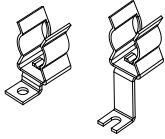
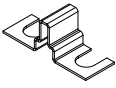
**Sample Assembly Drawing  
for Finger Guard Installation  
(for 50, 75 and 100VA)**



**Sample Assembly Drawing  
for Finger Guard Installation  
(for 150VA to 1500VA)**

## Accessory Installation Guide

### Sample Accessory Drawings



**Voltage Link**

**Fuse Clips**  
(for 50, 75 and 100VA)

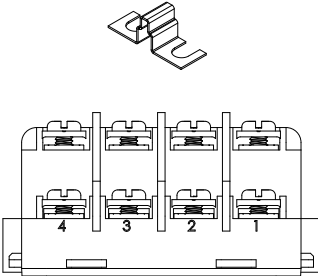
**Fuse Clips**  
(for 150VA to 1500VA)

**Fused & Unfused  
Finger Guard**  
(for 50, 75 and 100VA)

**Finger Guard**  
(for 150VA to 1500VA)

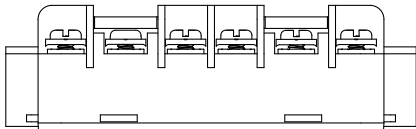
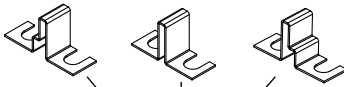
### Sample Accessory Assembly Drawings

#### Sample Assembly Drawings for Voltage Link Installation



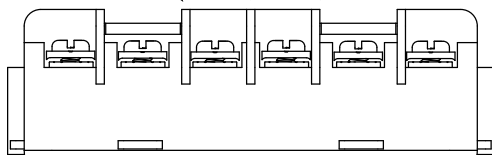
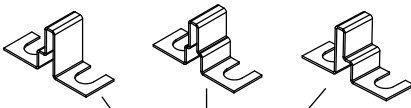
For units from 50VA to 100VA, the voltage links supplied can be installed between any two primary or secondary terminal bays. Please refer to PHWD1 or PHWD2 instruction sheet included with your transformer for connection for details.

Style A (left)    Style B (center)    Style A (right)



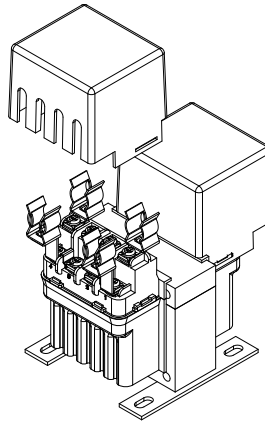
For units from 150VA to 250VA, the voltage links supplied must be installed between the primary or secondary terminal bays as indicated above. Please refer to PHWD1 or PHWD2 instruction sheet included with you transformer for connection details.

Style A (left)    Style B (center)    Style A (right)

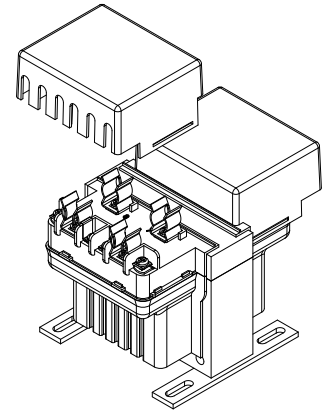


For units from 350VA to 1500VA, the voltage links supplied must be installed between the primary or secondary terminal bays as indicated above. Please refer to PHWD1 or PHWD2 instruction sheet included with you transformer for connection details.

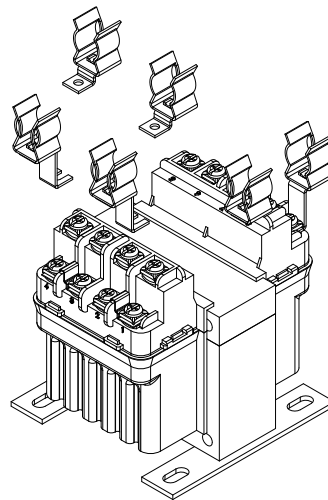
**Sample Assembly Drawing for  
Finger Guard Installation**  
(for 50, 75 and 100VA)



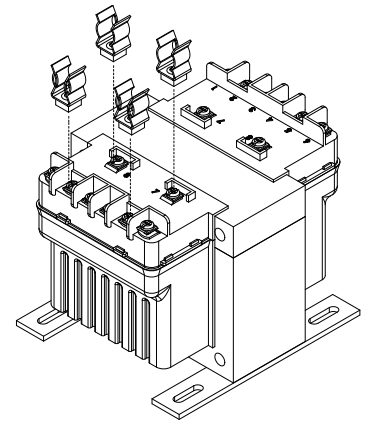
**Sample Assembly Drawing for  
Finger Guard Installation**  
(for 150VA to 1500VA)



**Sample Assembly Drawing for  
Fuse Clip Installation**  
(for 50, 75 & 100VA)



**Sample Assembly Drawing for  
Primary Fuse Clip Installation**  
(for 150VA to 1500VA)



**Note:** HPS Imperator primary and secondary fuse kits are not suitable for *branch circuit* applications!