



MECHANICAL GROUNDING CONNECTORS

More than 60 years of technological innovation has made Burndy mechanical grounding connectors one of the most widely used, highly respected lines in the industry. There is virtually no grounding application problem that this diversified line cannot help solve.

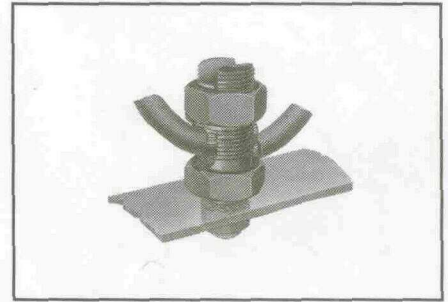
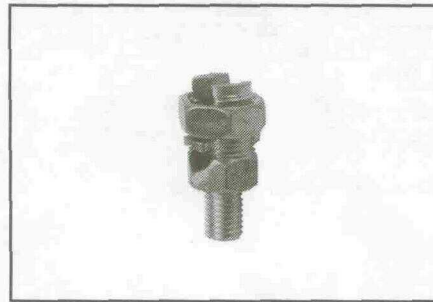
All Burndy mechanical grounding connectors have been designed for easy installation and for outstanding durability. Only the finest high copper alloys are used in their manufacture, insuring top performance under the most extreme environmental conditions.

TYPE KC, K2C

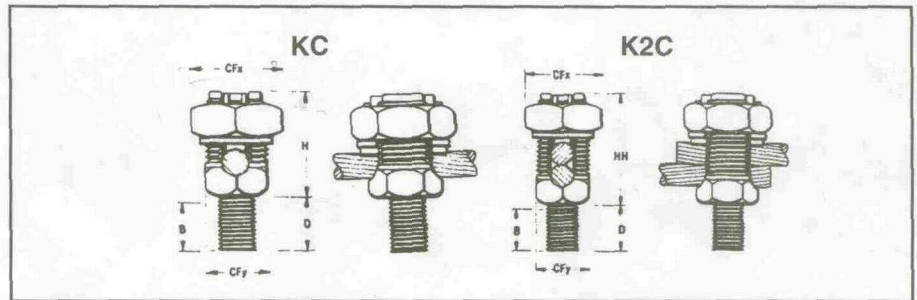
SERVIT™ POST

FOR COPPER CABLE TO FLAT

SERVIT POST used to ground one or two cables to steel structures, fence posts, transformers. Also used to tap one or two cables from bus bar. One-wrench installation.



D-23



Catalog Number		Conductor		Stud Diameter	B	CFx	CFy	D	H	HH
Type KC	Type K2C	Stranded	Solid							
KC15	K2C15	12-9	12-8	1/4 - 20	3/8	1/2	3/8	1/2	5/8	7/8
KC15B1	K2C15B1				7/8			1		
KC17	K2C17	10-7	10-6	1/4 - 20	3/8	5/8	7/16	1/2	7/8	1
KC17B1	K2C17B1				7/8			1		
KC20	K2C20	10-5	10-4	5/16 - 18	13/32	11/16	1/2	5/8	7/8	1-1/8
KC20B1	K2C20B1				27/32			1		
KC22	K2C22	10-3	10-2	3/8 - 16	15/32	3/4	5/8	5/8	1	1-1/4
KC22B1	K2C22B1				31/32			1-1/8		
KC23	K2C23	8-2	10-1	3/8 - 16	15/32	13/16	5/8	5/8	1	1-3/8
KC23B1	K2C23B1				31/32			1-1/8		
KC25	K2C25	2-1/0	2-2/0	1/2 - 13	9/16	15/16	3/4	3/4	1-1/8	1-5/8
KC25B1	K2C25B1				1-1/16			1-1/4		
KC26	K2C26	2-2/0	2-3/0	1/2 - 13	17/32	1	7/8	3/4	1-3/8	1-7/8
KC26B1	K2C26B1				1-1/16			1-1/4		
KC28	K2C28	1-4/0	1-4/0	5/8 - 11	3/4	1-1/2	1-3/16	1	1-3/4	2-1/4
KC28B1	K2C28B1				1-1/4			1-1/2		
KC31	K2C31	1-350	—	5/8 - 11	3/4	1-11/16	1-3/8	1	2-1/4	2-7/8
KC31B1	K2C31B1				1-1/4			1-1/2		
KC34	K2C34	3/0-500	—	3/4 - 10	1	2	1-5/8	1-1/4	2-3/8	3-1/4
KC34B1	K2C34B1				1-1/2			1-3/4		

Add "NSP" suffix to have connector supplied w/split lockwasher and nut.