



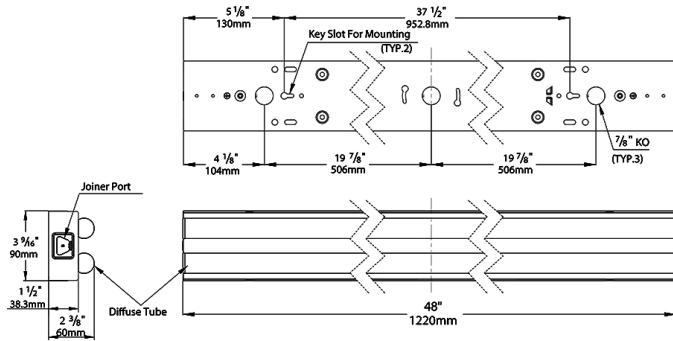
## Technical Specifications (continued)

### Electrical

#### Power Factor:

99.7% at 120V, 97.2% at 277V

### Dimensions



### Features

Traditional, fluorescent tube look; energy-saving LED technology

Surface-mount ready; accessories available for junction box or suspended mount

0-10V dimming

50,000-Hour LED lifespan

### Ordering Matrix

Family	Length/Wattage		CRI/Color Temp	Voltage	Options
STRP	440	—	840	U	
	210 = Single tube 2ft, 10W 220 = Double tube 2ft, 20W 420 = Single tube 4ft, 20W 440 = Double tube 4ft, 40W		850 = 5000K (Cool), 80 CRI 840 = 4000K (Neutral), 80 CRI 835 = 3500K (Warm Neutral), 80 CRI	U = 120-277V	Blank = No Option /MVS = Microwave Bi-Level Motion Sensor *Available only to STRP440 <sup>1</sup> /E2 = Emergency Backup *Available only to STRP440 <sup>1</sup>

<sup>1</sup> Available with the STRP440 only