

Type 12 / 13 Panel Enclosures

Wall-Mount Enclosures Type 12 Single-Door Data Sheet

Type 12/13 Panel Encl.



Application

- Houses electrical controls and instruments
- Protects against circulating dust, falling dirt and dripping non-corrosive liquids

Standards

- UL 508 listed, Type 12 and Type 13
- CSA C22.2 No.94 certified, Type 12 and Type 13
- Conforms to NEMA standard for Type 12 and Type 13

Finish

- Wash and phosphate undercoat
- ANSI 61 gray polyester powder finish

Accessories

- Panels
- NEMA terminal strap kit
- Terminal blocks
- Type 12 door handle kit
- Floor stand kit
- Touch-up paint
- See Accessories section

Construction

- Enclosure and door are fabricated from code gauge steel, (see tables, pages 106 & 107)
- All continuous welded seams are finished smooth
- Doors are secured to the body with a heavy-duty continuous hinge on one side and easy-to-release door clamps mounted to the opposite side
- Each door has a padlock hasp with sealing hole provision
- Print pocket provided
- Door has a seamless poured in-place gasket
- Ground stud provided on door and body
- Formed lip around enclosure opening diverts liquids and contaminants
- .375-16 collar studs are provided for mounting optional panel
- External mounting feet are provided for secure wall mounting

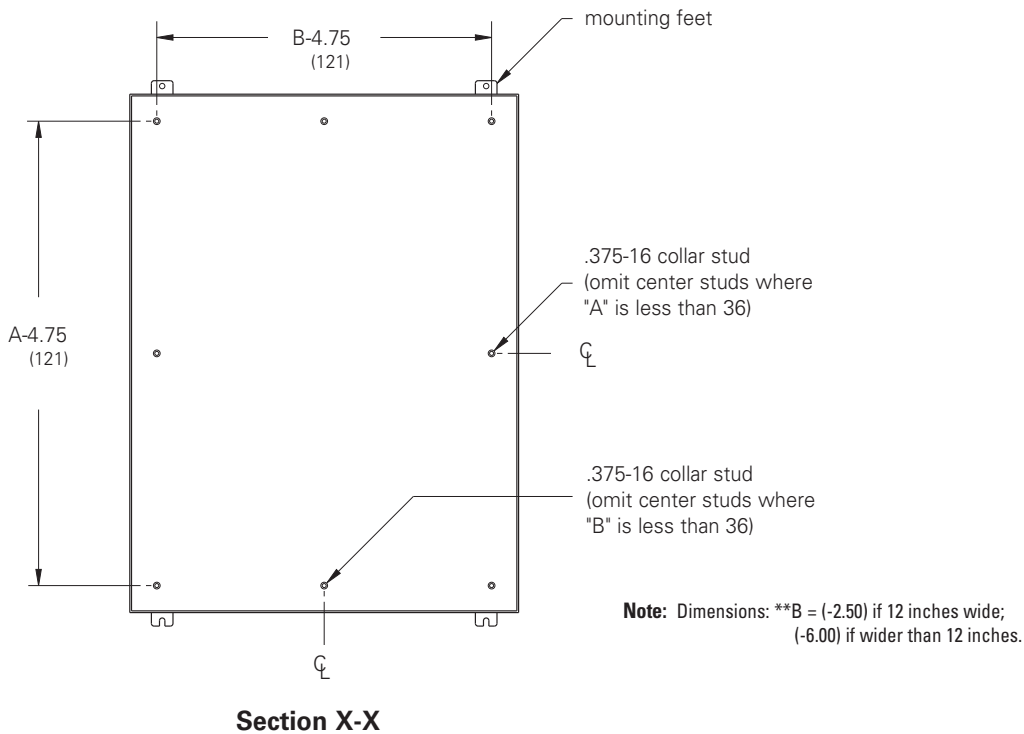
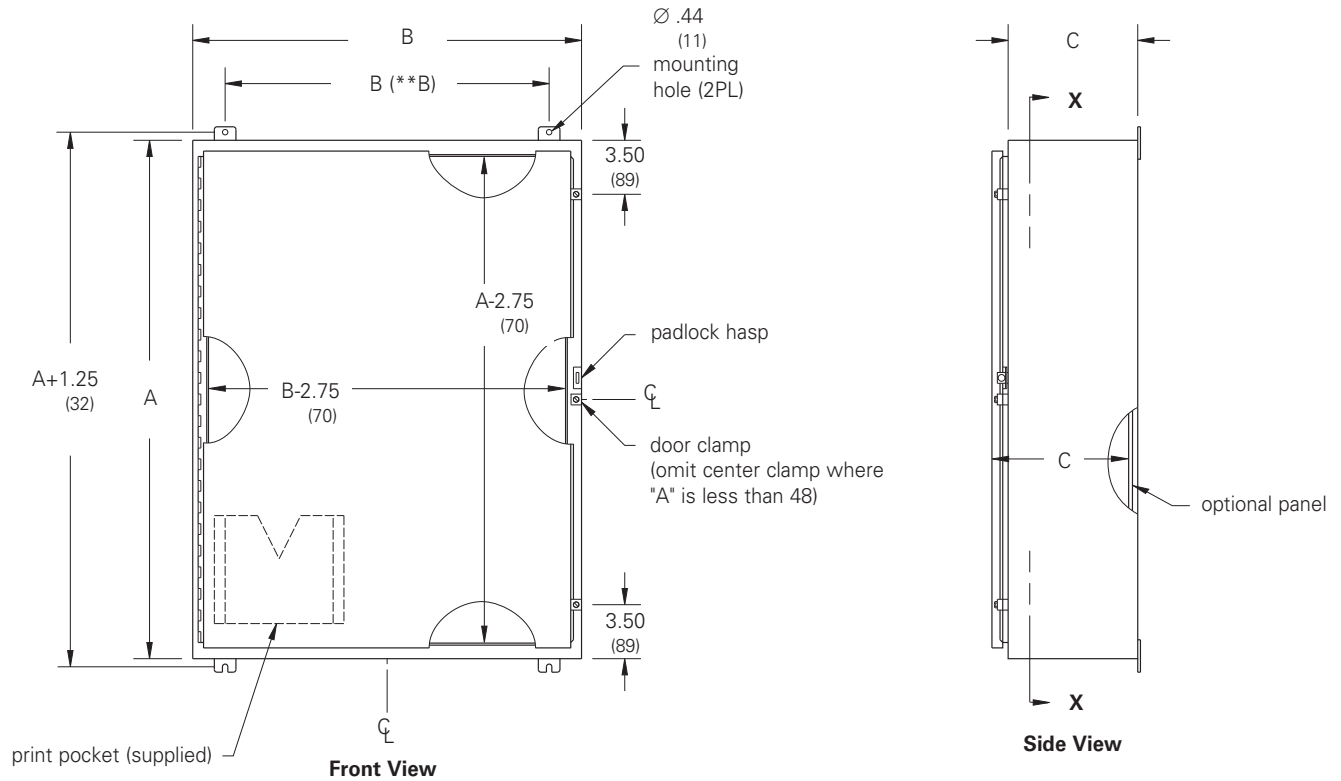
Discount Schedule: C2

Subclass: DH0

Notes: We can provide special sizes, finishes and other modifications. Consult the factory for your special requirements.

Wall-Mount Enclosures Type 12 Single-Door Illustration Sheet

See pages 106 & 107 for dimensions



Notes: Dimensions are in inches. Millimeters shown are for reference only. Data subject to change without notice.

Type 12 / 13 Panel Enclosures

Wall-Mount Enclosures Type 12 Single-Door Catalog Number

Type 12/13 Panel Encl.

Enclosure Catalog Number	Enclosure Size Height x Width x Depth A x B x C		Gauge	Panel Catalog Number		Panel Size Height x Width	
	in.	mm		Painted	Conductive	in.	mm
	12246-12	12.00 x 24.00 x 6.00		305 x 610 x 152	16	AW2412P	--
16126-12	16.00 x 12.00 x 6.00	406 x 305 x 152	16	AW1612P	AW1612GP	13.00 x 9.00	330 x 229
16166-12	16.00 x 16.00 x 6.00	406 x 406 x 152	16	AW1616P	AW1616GP	13.00 x 13.00	330 x 330
16206-12	16.00 x 20.00 x 6.00	406 x 508 x 152	16	AW2016P	AW2016GP	13.00 x 17.00	330 x 432
20126-12	20.00 x 12.00 x 6.00	508 x 305 x 152	16	AW2012P	--	17.00 x 9.00	432 x 229
20166-12	20.00 x 16.00 x 6.00	508 x 406 x 152	16	AW2016P	AW2016GP	17.00 x 13.00	432 x 330
20206-12	20.00 x 20.00 x 6.00	508 x 508 x 152	16	AW2020P	AW2020GP	17.00 x 17.00	432 x 432
20246-12	20.00 x 24.00 x 6.00	508 x 610 x 152	16	AW2420P	AW2420GP	16.87 x 20.87	428 x 530
24126-12	24.00 x 12.00 x 6.00	610 x 305 x 152	16	AW2412P	--	21.00 x 9.00	533 x 229
24166-12	24.00 x 16.00 x 6.00	610 x 406 x 152	16	AW2416P	AW2416GP	21.00 x 13.00	533 x 330
24206-12	24.00 x 20.00 x 6.00	610 x 508 x 152	16	AW2420P	AW2420GP	20.87 x 16.87	530 x 428
24246-12	24.00 x 24.00 x 6.00	610 x 610 x 152	14	AW2424P	AW2424GP	20.87 x 20.87	530 x 530
30166-12	30.00 x 16.00 x 6.00	762 x 406 x 152	16	AW3016P	AW3016GP	26.87 x 12.87	682 x 327
30206-12	30.00 x 20.00 x 6.00	762 x 508 x 152	14	AW3020P	AW3020GP	26.87 x 16.87	682 x 428
30246-12	30.00 x 24.00 x 6.00	762 x 610 x 152	14	AW3024P	AW3024GP	26.87 x 20.87	682 x 530
36246-12	36.00 x 24.00 x 6.00	914 x 610 x 152	14	AW3624P	AW3624GP	32.87 x 20.87	835 x 530
36306-12	36.00 x 30.00 x 6.00	914 x 762 x 152	14	AW3630P	AW3630GP	32.87 x 26.87	835 x 682
12248-12	12.00 x 24.00 x 8.00	305 x 610 x 203	16	AW2412P	--	9.00 x 21.00	229 x 533
16128-12	16.00 x 12.00 x 8.00	406 x 305 x 203	16	AW1612P	AW1612GP	13.00 x 9.00	330 x 229
16168-12	16.00 x 16.00 x 8.00	406 x 406 x 203	16	AW1616P	AW1616GP	13.00 x 13.00	330 x 330
16208-12	16.00 x 20.00 x 8.00	406 x 508 x 203	16	AW2016P	AW2016GP	13.00 x 17.00	330 x 432
20128-12	20.00 x 12.00 x 8.00	508 x 305 x 203	16	AW2012P	--	17.00 x 9.00	432 x 229
20168-12	20.00 x 16.00 x 8.00	508 x 406 x 203	16	AW2016P	AW2016GP	17.00 x 13.00	432 x 330
20208-12	20.00 x 20.00 x 8.00	508 x 508 x 203	16	AW2020P	AW2020GP	17.00 x 17.00	432 x 432
20248-12	20.00 x 24.00 x 8.00	508 x 610 x 203	16	AW2420P	AW2420GP	16.87 x 20.87	428 x 530
24128-12	24.00 x 12.00 x 8.00	610 x 305 x 203	16	AW2412P	--	21.00 x 9.00	533 x 229
24168-12	24.00 x 16.00 x 8.00	610 x 406 x 203	16	AW2416P	AW2416GP	21.00 x 13.00	533 x 330
24208-12	24.00 x 20.00 x 8.00	610 x 508 x 203	16	AW2420P	AW2420GP	20.87 x 16.87	530 x 428
24248-12	24.00 x 24.00 x 8.00	610 x 610 x 203	14	AW2424P	AW2424GP	20.87 x 20.87	530 x 530
24308-12	24.00 x 30.00 x 8.00	610 x 762 x 203	14	AW3024P	AW3024GP	20.87 x 26.87	530 x 682
30208-12	30.00 x 20.00 x 8.00	762 x 508 x 203	14	AW3020P	AW3020GP	26.87 x 16.87	682 x 428
30248-12	30.00 x 24.00 x 8.00	762 x 610 x 203	14	AW3024P	AW3024GP	26.87 x 20.87	682 x 530
30308-12	30.00 x 30.00 x 8.00	762 x 762 x 203	14	AW3030P	AW3030GP	26.87 x 26.87	682 x 682
30368-12	30.00 x 36.00 x 8.00	762 x 914 x 203	14	AW3630P	AW3630GP	26.87 x 32.87	682 x 835
36248-12	36.00 x 24.00 x 8.00	914 x 610 x 203	14	AW3624P	AW3624GP	32.87 x 20.87	835 x 530
36308-12	36.00 x 30.00 x 8.00	914 x 762 x 203	14	AW3630P	AW3630GP	32.87 x 26.87	835 x 682
36368-12	36.00 x 36.00 x 8.00	914 x 914 x 203	14	AW3636P	--	32.87 x 32.87	835 x 835
42248-12	42.00 x 24.00 x 8.00	1067 x 670 x 203	14	AW4224P	--	38.87 x 20.87	987 x 530
42308-12	42.00 x 30.00 x 8.00	1067 x 762 x 203	14	AW4230P	AW4230GP	38.87 x 26.87	987 x 682
42368-12	42.00 x 36.00 x 8.00	1067 x 914 x 203	14	AW4236P	AW4236GP	38.87 x 32.87	987 x 835
48248-12	48.00 x 24.00 x 8.00	1219 x 610 x 203	14	AW4824P	--	44.87 x 20.87	1140 x 530
48308-12	48.00 x 30.00 x 8.00	1219 x 762 x 203	14	AW4830P	AW4830GP	44.87 x 26.87	1140 x 682
48368-12	48.00 x 36.00 x 8.00	1219 x 914 x 203	14	AW4836P	AW4836GP	44.87 x 32.87	1140 x 835
60368-12	60.00 x 36.00 x 8.00	1524 x 914 x 203	14	AW6036P	AW6036GP	56.87 x 32.87	1444 x 835

Notes: Dimensions are in inches. Millimeters shown are for reference only. Data subject to change without notice.

Wall-Mount Enclosures Type 12 Single-Door Catalog Number (cont'd)

Enclosure Catalog Number	Enclosure Size Height x Width x Depth A x B x C		Gauge	Panel Catalog Number		Panel Size Height x Width	
	in.	mm		Painted	Conductive	in.	mm
	161210-12	16.00 x 12.00 x 10.00		406 x 305 x 254	16	AW1612P	AW1612GP
201610-12	20.00 x 16.00 x 10.00	508 x 406 x 254	16	AW2016P	AW2016GP	17.00 x 13.00	432 x 330
202010-12	20.00 x 20.00 x 10.00	508 x 508 x 254	16	AW2020P	AW2020GP	17.00 x 17.00	432 x 432
241210-12	24.00 x 12.00 x 10.00	610 x 305 x 254	16	AW2412P	--	21.00 x 9.00	533 x 229
242010-12	24.00 x 20.00 x 10.00	610 x 508 x 254	16	AW2420P	AW2420GP	20.87 x 16.87	530 x 428
242410-12	24.00 x 24.00 x 10.00	610 x 610 x 254	14	AW2424P	AW2424GP	20.87 x 20.87	530 x 530
302010-12	30.00 x 20.00 x 10.00	762 x 508 x 254	14	AW3020P	AW3020GP	26.87 x 16.87	682 x 428
302410-12	30.00 x 24.00 x 10.00	762 x 610 x 254	14	AW3024P	AW3024GP	26.87 x 20.87	682 x 530
362410-12	36.00 x 24.00 x 10.00	914 x 610 x 254	14	AW3624P	AW3624GP	32.87 x 20.87	835 x 530
363010-12	36.00 x 30.00 x 10.00	914 x 762 x 254	14	AW3630P	AW3630GP	32.87 x 26.87	835 x 682
423010-12	42.00 x 30.00 x 10.00	1067 x 762 x 254	14	AW4230P	AW4230GP	38.87 x 26.87	987 x 682
423610-12	42.00 x 36.00 x 10.00	1067 x 914 x 254	14	AW4236P	AW4236GP	38.87 x 32.87	987 x 835
483010-12	48.00 x 30.00 x 10.00	1219 x 762 x 254	14	AW4830P	AW4830GP	44.87 x 26.87	1140 x 682
483610-12	48.00 x 36.00 x 10.00	1219 x 914 x 254	14	AW4836P	AW4836GP	44.87 x 32.87	1140 x 835
603610-12	60.00 x 36.00 x 10.00	1524 x 914 x 254	14	AW6036P	AW6036GP	56.87 x 32.87	1444 x 835
201612-12	20.00 x 16.00 x 12.00	508 x 406 x 305	16	AW2016P	AW2016GP	17.00 x 13.00	432 x 330
242012-12	24.00 x 20.00 x 12.00	610 x 508 x 305	16	AW2420P	AW2420GP	20.87 x 16.87	530 x 428
242412-12	24.00 x 24.00 x 12.00	610 x 610 x 305	14	AW2424P	AW2424GP	20.87 x 20.87	530 x 530
302412-12	30.00 x 24.00 x 12.00	762 x 610 x 305	14	AW3024P	AW3024GP	26.87 x 20.87	682 x 530
303012-12	30.00 x 30.00v12.00	762 x 762v305	14	AW3030P	AW3030GP	26.87 x 26.87	682 x 682
362412-12	36.00 x 24.00 x 12.00	914 x 610v305	14	AW3624P	AW3624GP	32.87 x 20.87	835 x 530
363012-12	36.00 x 30.00 x 12.00	914 x 762 x 305	14	AW3630P	AW3630GP	32.87 x 26.87	835 x 682
363612-12	36.00 x 36.00 x 12.00	914 x 914 x 305	14	AW3636P	--	32.87 x 32.87	835 x 835
423012-12	42.00 x 30.00 x 12.00	1067 x 762 x 305	14	AW4230P	AW4230GP	38.87 x 26.87	987 x 682
423612-12	42.00 x 36.00 x 12.00	1067 x 914 x 305	14	AW4236P	AW4236GP	38.87 x 32.87	987 x 835
483612-12	48.00 x 36.00 x 12.00	1219v914 x 305	14	AW4836P	AW4836GP	44.87 x 32.87	1140 x 835
603612-12	60.00 x 36.00 x 12.00	1524 x 914 x 305	14	AW6036P	AW6036GP	56.87 x 32.87	1444 x 835
723612-12	72.00 x 36.00 x 12.00	1829 x 914 x 305	14	AW7236P	--	68.87 x 32.87	1749 x 835
242016-12	24.00 x 20.00 x 16.00	610 x 508 x 406	16	AW2420P	AW2420GP	20.87 x 16.87	530 x 428
242416-12	24.00 x 24.00 x 16.00	610 x 610 x 406	14	AW2424P	AW2424GP	20.87 x 20.87	530 x 530
302416-12	30.00 x 24.00 x 16.00	762 x 610 x 406	14	AW3024P	AW3024GP	26.87 x 20.87	682 x 530
363016-12	36.00 x 30.00 x 16.00	914 x 762 x 406	14	AW3630P	AW3630GP	32.87 x 26.87	835 x 682
423616-12	42.00 x 36.00 x 16.00	1067 x 914 x 406	14	AW4236P	AW4236GP	38.87 x 32.87	987 x 835
483616-12	48.00 x 36.00 x 16.00	1219 x 914 x 406	14	AW4836P	AW4836GP	44.87 x 32.87	1140 x 835
603616-12	60.00 x 36.00 x 16.00	1524 x 914 x 406	14	AW6036P	AW6036GP	56.87 x 32.87	1444 x 835
723016-12	72.00 x 30.00 x 16.00	1829 x 762 x 406	14	AW7230P	--	68.87 x 26.87	1749 x 682
302420-12	30.00 x 24.00 x 20.00	762 x 610 x 508	14	AW3024P	AW3024GP	26.87 x 20.87	682 x 530
363020-12	36.00 x 30.00 x 20.00	914 x 762 x 508	14	AW3630P	AW3630GP	32.87 x 26.87	835 x 682
483620-12	48.00 x 36.00 x 20.00	1219 x 914 x 508	14	AW4836P	AW4836GP	44.87 x 32.87	1140 x 835
603620-12	60.00 x 36.00 x 20.00	1524 x 914 x 508	14	AW6036P	AW6036GP	56.87 x 32.87	1444 x 835
723020-12	72.00 x 30.00 x 20.00	1829 x 762 x 508	14	AW7230P	--	68.87 x 26.87	1749 x 682
302424-12	30.00 x 24.00 x 24.00	762 x 610 x 610	14	AW3024P	AW3024GP	26.87 x 20.87	682 x 530
723024-12	72.00 x 30.00 x 24.00	1829 x 762 x 610	14	AW7230P	--	68.87 x 26.87	1749 x 682

Type 12/13 Panel Encl.

Notes: Dimensions are in inches. Millimeters shown are for reference only. Data subject to change without notice.