



30mm Pilot Devices Command/52 and BlackMax

Selection and application guide

Pilot devices

Answers for industry.

SIEMENS

Introducing our new line of 30mm Pilot Devices

Our broad range of 30mm (Command 52/BlackMax) Pilot Devices have long been relied on by America's leading Industrial manufacturers, OEMs, and end-users. Special attention has to be paid to the interaction between man and machine. Siemens has a wide range of pilot lights, pushbuttons units, E-STOPs, custom enclosures, and selector switches. With Siemens commanding and signaling devices, you can be confident in being able to handle every situation.

Table of Contents

Features and Benefits	2
Pilot Lights	3 - 6
Push-Pull	7 - 11
Twist-to-Release	12 - 13
Push-to-Test	14 - 16
Basic Pushbuttons	17 - 19
Mushroom Head Pushbuttons	20 - 21
Keyed Selector Switches	22 - 23
Illuminated Selector Switches	24 - 25
Non-Illuminated Selector Switches	26 - 28
Selector Pushbuttons	29
Operator Specific Accessories	30 - 31
General and Lighting Accessories	32 - 33
Selector Switch Configuration	34
General Information and FAQs	35
Dimension Drawings	36 - 39

30mm Pilot Devices Product Overview

With Siemens innovative technology and design for rapid installation, our complete range of oil tight Pilot Devices provides a solution that will be aesthetically and functionally impressive. The extensive portfolio is modular, well-proven in practice, and is 100% fit for industrial environments. Whether the application requires Chrome or BlackMax, incandescent or LED, standard duty or hazardous location, or plastic or glass – Siemens has done the work for you.

New Siemens Products!

- 3 Position: Push-Maintained, Pull-Momentary!
- 2 Position: Push-Maintained, Twist-to-Release!
- Integrated LED Modules – Our recommended 30mm illumination option!

Features and Benefits

- **New Modular Design** – Allowing for quick delivery, multiple distributor options, and a full product line for the end-user. Lighting modules, operators, and lens can be ordered fully assembled or independently depending on your applications.
- **Latest in Illumination Technology** – Delivering traditional incandescent lights, energy saving LEDs, and energy saving extra bright cluster LEDs.

- **New Ribbed Concentric Lens** – Providing improved lighting distribution and aesthetic appeal.
- **Less Mounting Space** – Making Siemens new 30mms smaller than ever.
- **More In-Stock Product** – Meeting our customers needs by carrying a vast array of 30mm Pilot Device catalog IDs at our distribution centers.
- **BlackMax corrosion resistant line** – withstanding the harshest environments.
- **Silver contacts with gold flashing** – Improving contact fidelity of all our contact blocks.
- **NEMA Type 1, 3, 3R, 4, 4X, 12, 13**
- **Automotive standards compliant**

Product Selection Options

- Stock Product Tables - Choose a standard pilot device from the lists of stocked product.
- Product Configurations - Build a pilot device for your exact needs with our simple product configurators.

Make your choice for each selection category to generate your catalog number. Optional selection categories are denoted with gray boxes.

Selection	1	2	3	4	5	6	7
Catalog Number	52	P	L	5	D	2	XY

Pilot Lights



Ordering Guide: Pilot Lights

Example:

52PL5D2XY

- Pilot Light, 30 mm
- Chrome
- Red
- Glass Lens
- Full Voltage, 24V
- 3 LED Cluster Bulb

52BL4G9

- Pilot Light, 30mm
- BlackMax
- Amber
- Plastic Lens
- Transformer, 120V
- Incandescent Bulb

Selection	1	2	3	4	5	6	7
Catalog Number	52	P	L	5	D	2	XY

Use the selection information below to build your pilot light catalog number. Please contact your Siemens account manager for further ordering details.

Selection (1)

Class

52 30mm
(Oil Tight Products)

(2)

Finish

P Chrome
B BlackMax -
NEMA 4X

(3)

Product Type

L Pilot Light

(4)

Style

4 Plastic Lens
5 Glass Lens

Selection (5)

Operation

Full voltage
B 6 - 8V AC/DC
C 12 - 13V AC/DC
D 24 - 28V AC/DC
E 120V AC/DC

Transformer

G 120V AC
H 240V AC
J 480V AC
K 600V AC

LED Module

L 24V AC/DC
M 120V AC
N 240V AC

Lighting Placeholder

X No lighting module¹

(6)

Color

2 Red
3 Green
5 Blue
9 Amber
A Clear
B White
N No lens/head

(7)

Optional: LED²

XY 3 LED Cluster
XB LED Single Bulb

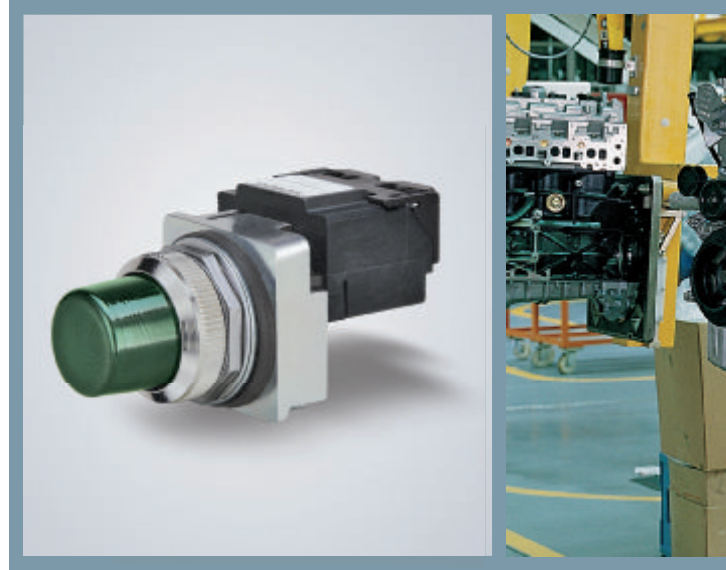
Default is
incandescent bulb.

Additional contact block
arrangements are available
upon request. See contact
block table on page 32 for
a complete list of contact
block offerings.

¹ Lighting module accessory kits can be ordered on page 31. When using LED, lens and LED bulb must match.

² This option cannot be selected when using 12-13V Full Voltage or LED Module. All LED Modules utilize a single LED bulb. When selecting this in combination with 120V Full Voltage, only AC voltage can be used.

Pilot Lights



Stock Product and Cross Reference

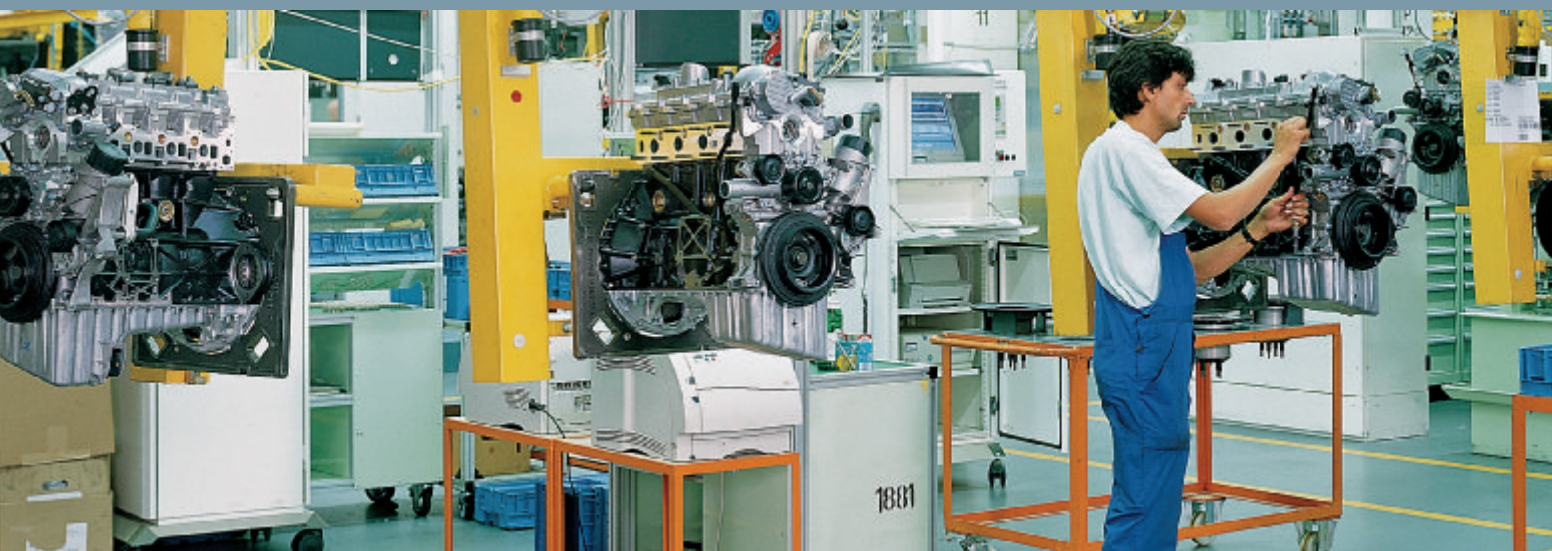
The following section is a cross-reference of our pre-2009 generation and new generation of pilot lights.

The listed pilot lights are just a selection of stocked product. Please consult your Siemens account manager for a complete cross-reference and list of stocked product.

CHROME Pilot Lights, 30mm

New Catalog ID	Old Catalog ID	Color	Head Type	Power Module	Lamp
52PL5G2XY	NA	Red	Glass Lens	Transformer - 120 V	Cluster LED
52PL5G2	52PA5G2	Red	Glass Lens	Transformer - 120 V	Incandescent Bulb
52PL5G2XB	52PE5G2	Red	Glass Lens	Transformer - 120 V	Single LED
52PL4E2	52PC4E2	Red	Plastic Lens	Full Voltage - 120 V	Incandescent Bulb
52PL4E2XB	52PE4E2	Red	Plastic Lens	Full Voltage - 120 V	Single LED
52PL4D2	52PA4D2	Red	Plastic Lens	Full Voltage - 24 V	Incandescent Bulb
52PL4D2XB	52PE4D2	Red	Plastic Lens	Full Voltage - 24 V	Single LED
52PL4M2	NA	Red	Plastic Lens	LED Module - 120 V	Integrated LED
52PL4L2	NA	Red	Plastic Lens	LED Module - 24 V	Integrated LED
52PL4G2XY	NA	Red	Plastic Lens	Transformer - 120 V	Cluster LED
52PL4G2	52PA4G2	Red	Plastic Lens	Transformer - 120 V	Incandescent Bulb
52PL4G2XB	52PE4G2	Red	Plastic Lens	Transformer - 120 V	Single LED
52PL4H2	52PA4H2	Red	Plastic Lens	Transformer - 240 V	Incandescent Bulb
52PL4J2	52PA4J2	Red	Plastic Lens	Transformer - 480 V	Incandescent Bulb
52PL4J2XB	52PE4J2	Red	Plastic Lens	Transformer - 480 V	Single LED
52PL5G3XY	NA	Green	Glass Lens	Transformer - 120 V	Cluster LED
52PL5G3	52PA5G3	Green	Glass Lens	Transformer - 120 V	Incandescent Bulb
52PL5G3XB	52PE5G3	Green	Glass Lens	Transformer - 120 V	Single LED
52PL4E3	52PC4E3	Green	Plastic Lens	Full Voltage - 120 V	Incandescent Bulb
52PL4E3XB	52PE4E3	Green	Plastic Lens	Full Voltage - 120 V	Single LED
52PL4D3	52PA4D3	Green	Plastic Lens	Full Voltage - 24 V	Incandescent Bulb
52PL4D3XB	52PE4D3	Green	Plastic Lens	Full Voltage - 24 V	Single LED
52PL4M3	NA	Green	Plastic Lens	LED Module - 120 V	Integrated LED
52PL4L3	NA	Green	Plastic Lens	LED Module - 24 V	Integrated LED
52PL4G3XY	NA	Green	Plastic Lens	Transformer - 120 V	Cluster LED
52PL4G3	52PA4G3	Green	Plastic Lens	Transformer - 120 V	Incandescent Bulb
52PL4G3XB	52PE4G3	Green	Plastic Lens	Transformer - 120 V	Single LED
52PL4H3	52PA4H3	Green	Plastic Lens	Transformer - 240V	Incandescent Bulb
52PL4J3	52PA4J3	Green	Plastic Lens	Transformer - 480 V	Incandescent Bulb

Stock product is subject to availability. This list may change at anytime without notice.



CHROME Pilot Lights, 30mm

New Catalog ID	Old Catalog ID	Color	Head Type	Power Module	Lamp
52PL4E9	52PC4E9	Amber	Plastic Lens	Full Voltage - 120 V	Incandescent Bulb
52PL4E9XB	52PE4E9	Amber	Plastic Lens	Full Voltage - 120 V	Single LED
52PL4D9	52PA4D9	Amber	Plastic Lens	Full Voltage - 24 V	Incandescent Bulb
52PL4D9XB	52PE4D9	Amber	Plastic Lens	Full Voltage - 24 V	Single LED
52PL4M9	NA	Amber	Plastic Lens	LED Module - 120 V	Integrated LED
52PL4L9	NA	Amber	Plastic Lens	LED Module - 24 V	Integrated LED
52PL4G9	52PA4G9	Amber	Plastic Lens	Transformer - 120 V	Incandescent Bulb
52PL4G9XB	52PE4G9	Amber	Plastic Lens	Transformer - 120 V	Single LED
52PL4J9	52PA4J9	Amber	Plastic Lens	Transformer - 480 V	Incandescent Bulb
52PL4DAXB	52PE4DA	Clear	Plastic Lens	Full Voltage - 24 V	Single LED
52PL4LA	NA	Clear	Plastic Lens	LED Module - 24 V	Integrated LED
52PL4EBXB	52PE4EB	White	Plastic Lens	Full Voltage - 120 V	Single LED
52PL4DBXB	52PE4DB	White	Plastic Lens	Full Voltage - 24 V	Single LED
52PL4MB	NA	White	Plastic Lens	LED Module - 120 V	Integrated LED
52PL4LB	NA	White	Plastic Lens	LED Module - 24 V	Integrated LED
52PL4GB	52PA4GB	White	Plastic Lens	Transformer - 120 V	Incandescent Bulb
52PL4GBXB	52PE4GB	White	Plastic Lens	Transformer - 120 V	Single LED
52PL4JBXB	52PE4JB	White	Plastic Lens	Transformer - 480 V	Single LED
52PL4EN	52PC4EN	No Lens	Plastic Lens	Full Voltage - 120 V	Incandescent Bulb
52PL4DN	52PA4DN	No Lens	Plastic Lens	Full Voltage - 24 V	Incandescent Bulb
52PL4GN	52PA4GN	No Lens	Plastic Lens	Transformer - 120 V	Incandescent Bulb
52PL4HN	52PA4HN	No Lens	Plastic Lens	Transformer - 240 V	Incandescent Bulb
52PL4JN	52PA4JN	No Lens	Plastic Lens	Transformer - 480 V	Incandescent Bulb

Stock product is subject to availability. This list may change at anytime without notice.

Pilot Lights

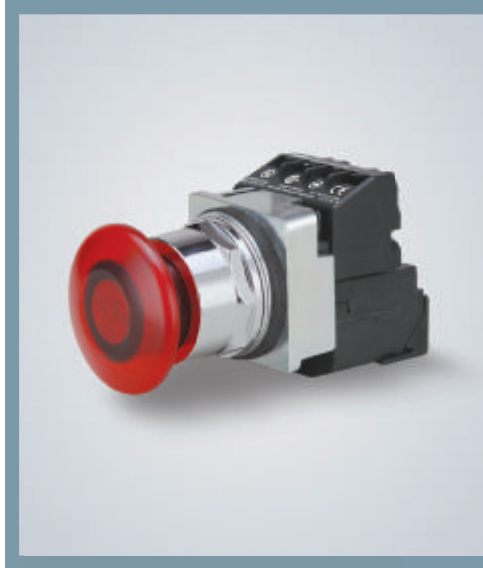


BLACKMAX Pilot Lights, 30mm

New Catalog ID	Old Catalog ID	Color	Head Type	Power Module	Lamp
52BL5G2	52PX5G2	Red	Glass Lens	Transformer - 120 V	Incandescent Bulb
52BL5G2XB	52PX5G2Y	Red	Glass Lens	Transformer - 120 V	Single LED
52BL4E2XY	NA	Red	Plastic Lens	Full Voltage - 120 V	Cluster LED
52BL4E2	52PY4E2	Red	Plastic Lens	Full Voltage - 120 V	Incandescent Bulb
52BL4E2XB	52PX4E2Y	Red	Plastic Lens	Full Voltage - 120 V	Single LED
52BL4D2	52PX4D2	Red	Plastic Lens	Full Voltage - 24 V	Incandescent Bulb
52BL4M2	NA	Red	Plastic Lens	LED Module - 120 V	Integrated LED
52BL4G2	52PX4G2	Red	Plastic Lens	Transformer - 120 V	Incandescent Bulb
52BL4G2XB	52PX4G2Y	Red	Plastic Lens	Transformer - 120 V	Single LED
52BL5G3	52PX5G3	Green	Glass Lens	Transformer - 120 V	Incandescent Bulb
52BL5G3XB	52PX5G3Y	Green	Glass Lens	Transformer - 120 V	Single LED
52BL4E3XY	NA	Green	Plastic Lens	Full Voltage - 120 V	Cluster LED
52BL4E3	52PY4E3	Green	Plastic Lens	Full Voltage - 120 V	Incandescent Bulb
52BL4E3XB	52PX4E3Y	Green	Plastic Lens	Full Voltage - 120 V	Single LED
52BL4D3	52PX4D3	Green	Plastic Lens	Full Voltage - 24 V	Incandescent Bulb
52BL4D3XB	52PX4D3Y	Green	Plastic Lens	Full Voltage - 24 V	Single LED
52BL4M3	NA	Green	Plastic Lens	LED Module - 120 V	Integrated LED
52BL4L3	NA	Green	Plastic Lens	LED Module - 24 V	Integrated LED
52BL4G3	52PX4G3	Green	Plastic Lens	Transformer - 120 V	Incandescent Bulb
52BL4G3XB	52PX4G3Y	Green	Plastic Lens	Transformer - 120 V	Single LED
52BL4D5XB	52PX4D5Y	Blue	Plastic Lens	Full Voltage - 24 V	Single LED
52BL4L5	NA	Blue	Plastic Lens	LED Module - 24 V	Integrated LED
52BL4E9	52PY4E9	Amber	Plastic Lens	Full Voltage - 120 V	Incandescent Bulb
52BL4E9XB	52PX4E9Y	Amber	Plastic Lens	Full Voltage - 120 V	Single LED
52BL4D9	52PX4D9	Amber	Plastic Lens	Full Voltage - 24 V	Incandescent Bulb
52BL4D9XB	52PX4D9Y	Amber	Plastic Lens	Full Voltage - 24 V	Single LED
52BL4M9	NA	Amber	Plastic Lens	LED Module - 120 V	Integrated LED
52BL4L9	NA	Amber	Plastic Lens	LED Module - 24 V	Integrated LED
52BL4G9	52PX4G9	Amber	Plastic Lens	Transformer - 120 V	Incandescent Bulb
52BL4G9XB	52PX4G9Y	Amber	Plastic Lens	Transformer - 120 V	Single LED
52BL4MA	NA	Clear	Plastic Lens	LED Module - 120 V	Integrated LED
52BL4GAXB	52PX4GAY	Clear	Plastic Lens	Transformer - 120 V	Single LED
52BL4EB	52PY4EB	White	Plastic Lens	Full Voltage - 120 V	Incandescent Bulb
52BL4EBXB	52PX4EBY	White	Plastic Lens	Full Voltage - 120 V	Single LED
52BL4MB	NA	White	Plastic Lens	LED Module - 120 V	Integrated LED
52BL4GB	52PX4GB	White	Plastic Lens	Transformer - 120 V	Incandescent Bulb
52BL4GBXB	52PX4GBY	White	Plastic Lens	Transformer - 120 V	Single LED
52BL4EN	52PY4EN	No Lens	Plastic Lens	Full Voltage - 120 V	Incandescent Bulb
52BL4DN	52PX4DN	No Lens	Plastic Lens	Full Voltage - 24 V	Incandescent Bulb
52BL4GN	52PX4GN	No Lens	Plastic Lens	Transformer - 120 V	Incandescent Bulb

Stock product is subject to availability. This list may change at anytime without notice.

Illuminated Push-Pull Units



Ordering Guide: Illuminated Push-Pull Units

Example:

52PP7M3U

- Push-Pull Pushbutton, 30mm
- Chrome
- 3-Pos, Maintained In, Momentary Out
- Green, Illuminated
- 1 3/4" Plastic
- LED Module, 120V
- Single LED Bulb
- 1 NCXLB - 1 NC

52BP2DRAB

- Push-Pull Pushbutton, 30mm
- BlackMax
- 2-Pos, Maintained
- Red, Illuminated
- 1 3/4" Plastic
- Full Voltage, 24V
- Single LED Bulb
- 1NO-1NC

Selection	1	2	3	4	5	6	7
Catalog Number	52	P	P	7	M	3	U

Use the selection information below to build your illuminated push-pull unit catalog number. Please contact your Siemens account manager for further ordering details.

Selection (1)
Class
52 30mm
(Oil Tight Products)

(2)
Finish
P Chrome
B BlackMax –
NEMA 4X

(3)
Product Type
P Illuminated Push-Pull

(4)
Function
2 2 Pos: Maintained
3 3 Pos: Momentary
7 3 Pos: Maintained in,
Momentary out

Selection (5)
Operation
Full voltage
B 6 - 8V AC/DC
C 12 - 13V AC/DC
D 24 - 28V AC/DC
E 120V AC/DC

Transformer
G 120V AC
H 240V AC
J 480V AC
K 600V AC

LED Module
L 24V AC/DC
M 120V AC
N 240V AC

Lighting Placeholder
X No lighting module ¹

(6)
Style / Color
Metal - 1 3/4"
2 Red
3 Green
5 Blue
9 Amber
A Clear
B White

Plastic - 1 3/4"
R Red
S Green
T Amber

Plastic - 2 1/2"
D Red
E Green
F Amber

No Operating Head
Z Less head

(7)
Optional: LED and/or Contact Blocks
2 Pos Options
A 1 NO - 1 NC (1-52BJK)
AB 1 NO - 1 NC (1-52BJK)
and LED Single Bulb ²
XB LED Single Bulb ²

3 Pos Options
U 1 NC - 1 NC extra late break ³
(1-52BAJ, 1-52BAU)
UB 1 NC - 1 NC extra late break ³
(1-52BAJ, 1-52BAU)
and LED Single Bulb ²
XB LED Single Bulb ²

Default is incandescent bulb.

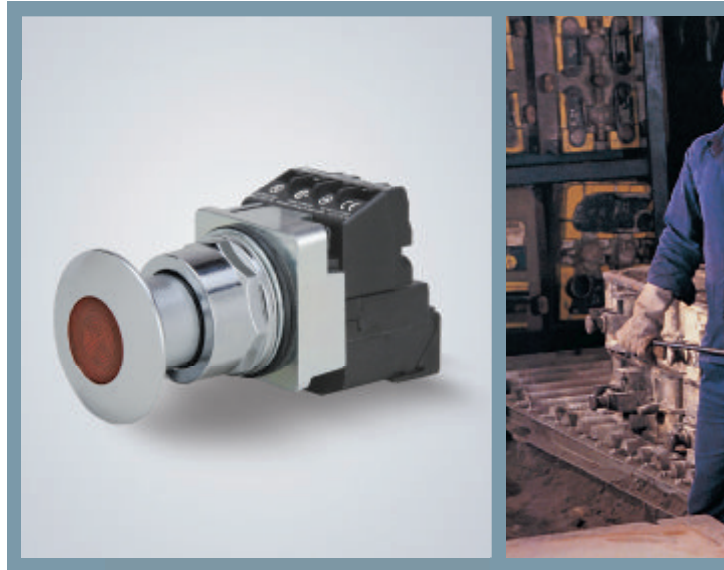
Additional contact block arrangements are available upon request. See contact block table on page 32 for a complete list of contact block offerings.

¹ Lighting module accessory kits can be ordered on page 31. When using LED, lens and LED bulb must match.

² This option cannot be selected when using 12-13V Full Voltage or LED Module. All LED Modules utilize a single LED bulb. When selecting this in combination with 120V Full Voltage, only AC voltage can be used.

³ Blocks cannot be interchanged (stop-start circuit - pull to start, push to stop).

Illuminated Push-Pull Units



Stock Product and Cross Reference

The following section is a cross-reference of our pre-2009 generation and new generation of push-pull units.

The listed illuminated push-pull units are just a selection of stocked product. Please consult your Siemens account manager for a complete cross-reference and list of stocked product.

CHROME Illuminated Push-Pull Pushbuttons, 30mm

New Catalog ID	Old Catalog ID	Pos / Funct	Color	Head Type	Power Module	Lamp	Contacts
52PP2D2A	52PA2D2A	2-Pos, MND	Red	1 3/4" Metal	Full Voltage - 24 V	Incandescent	1NO-1NC
52PP2D2AB	52PE2D2A	2-Pos, MND	Red	1 3/4" Metal	Full Voltage - 24 V	Single LED	1NO-1NC
52PP2M2A	NA	2-Pos, MND	Red	1 3/4" Metal	LED Module - 120 V	Integrated LED	1NO-1NC
52PP2L2A	NA	2-Pos, MND	Red	1 3/4" Metal	LED Module - 24 V	Integrated LED	1NO-1NC
52PP2G2A	52PA2G2A	2-Pos, MND	Red	1 3/4" Metal	Transformer - 120 V	Incandescent	1NO-1NC
52PP2G2AB	52PE2G2A	2-Pos, MND	Red	1 3/4" Metal	Transformer - 120 V	Single LED	1NO-1NC
52PP2DRAB	52PE2DRA	2-Pos, MND	Red	1 3/4" Plastic	Full Voltage - 24 V	Single LED	1NO-1NC
52PP2MRA	NA	2-Pos, MND	Red	1 3/4" Plastic	LED Module - 120 V	Integrated LED	1NO-1NC
52PP2LRA	NA	2-Pos, MND	Red	1 3/4" Plastic	LED Module - 24 V	Integrated LED	1NO-1NC
52PP2GRA	52PA2GRA	2-Pos, MND	Red	1 3/4" Plastic	Transformer - 120 V	Incandescent	1NO-1NC
52PP2GRAB	52PE2GRA	2-Pos, MND	Red	1 3/4" Plastic	Transformer - 120 V	Single LED	1NO-1NC
52PP2D3A	52PA2D3A	2-Pos, MND	Green	1 3/4" Metal	Full Voltage - 24 V	Incandescent	1NO-1NC
52PP2G3A	52PA2G3A	2-Pos, MND	Green	1 3/4" Metal	Transformer - 120 V	Incandescent	1NO-1NC
52PP2GNA	52PA2GNA	2-Pos, MND	No Lens		Transformer - 120 V	Incandescent	1NO-1NC
52PP3M2U	NA	3-Pos, MMT	Red	1 3/4" Metal	LED Module - 120 V	Integrated LED	1NCXLB-1NC
52PP3G2U	52PA3G2U	3-Pos, MMT	Red	1 3/4" Metal	Transformer - 120 V	Incandescent	1NCXLB-1NC
52PP3G2UB	52PE3G2U	3-Pos, MMT	Red	1 3/4" Metal	Transformer - 120 V	Single LED	1NCXLB-1NC
52PP3MRU	NA	3-Pos, MMT	Red	1 3/4" Plastic	LED Module - 120 V	Integrated LED	1NCXLB-1NC
52PP3GRU	52PA3GRU	3-Pos, MMT	Red	1 3/4" Plastic	Transformer - 120 V	Incandescent	1NCXLB-1NC
52PP3GRUB	52PE3GRU	3-Pos, MMT	Red	1 3/4" Plastic	Transformer - 120 V	Single LED	1NCXLB-1NC
52PP3M3U	NA	3-Pos, MMT	Green	1 3/4" Metal	LED Module - 120 V	Integrated LED	1NCXLB-1NC
52PP3G3U	52PA3G3U	3-Pos, MMT	Green	1 3/4" Metal	Transformer - 120 V	Incandescent	1NCXLB-1NC
52PP3G3UB	52PE3G3U	3-Pos, MMT	Green	1 3/4" Metal	Transformer - 120 V	Single LED	1NCXLB-1NC
52PP3MSU	NA	3-Pos, MMT	Green	1 3/4" Plastic	LED Module - 120 V	Integrated LED	1NCXLB-1NC
52PP3GSUB	52PE3GSU	3-Pos, MMT	Green	1 3/4" Plastic	Transformer - 120 V	Single LED	1NCXLB-1NC
52PP3G9U	52PA3G9U	3-Pos, MMT	Amber	1 3/4" Metal	Transformer - 120 V	Incandescent	1NCXLB-1NC
52PP7M2U	NA	3-Pos, MND-In, MMT-Out	Red	1 3/4" Metal	LED Module - 120 V	Integrated LED	1NCXLB-1NC
52PP7G2UB	NA	3-Pos, MND-In, MMT-Out	Red	1 3/4" Metal	Transformer - 120 V	Single LED	1NCXLB-1NC
52PP7MRU	NA	3-Pos, MND-In, MMT-Out	Red	1 3/4" Plastic	LED Module - 120 V	Integrated LED	1NCXLB-1NC
52PP7GRUB	NA	3-Pos, MND-In, MMT-Out	Red	1 3/4" Plastic	Transformer - 120 V	Single LED	1NCXLB-1NC
52PP7M3U	NA	3-Pos, MMT-In, MND-Out	Green	1 3/4" Metal	LED Module - 120 V	Integrated LED	1NCXLB-1NC
52PP7G3UB	NA	3-Pos, MND-In, MMT-Out	Green	1 3/4" Metal	Transformer - 120 V	Single LED	1NCXLB-1NC
52PP7MSU	NA	3-Pos, MND-In, MMT-Out	Green	1 3/4" Plastic	LED Module - 120 V	Integrated LED	1NCXLB-1NC
52PP7GSUB	NA	3-Pos, MND-In, MMT-Out	Green	1 3/4" Plastic	Transformer - 120 V	Single LED	1NCXLB-1NC

MMT = Momentary MND = Maintained

Stock product is subject to availability. This list may change at anytime without notice.



BLACKMAX Illuminated Push-Pull Pushbuttons, 30mm

New Catalog ID	Old Catalog ID	Pos/Func	Color	Head Type	Power Module	Lamp	Contacts
52BP2G2A	52PX2G2A	2-Pos, MND	Red	1 3/4" Metal	Transformer - 120 V	Incandescent	1NO-1NC
52BP2GRA	52PX2GRA	2-Pos, MND	Red	1 3/4" Plastic	Transformer - 120 V	Incandescent	1NO-1NC
52BP2L2A	NA	2-Pos, MND	Red	1 3/4" Metal	LED Module - 24 V	Integrated LED	1NO-1NC
52BP2D2AB	52PX2D2AY	2-Pos, MND	Red	1 3/4" Metal	Full Voltage - 24 V	Single LED	1NO-1NC
52BP2LRA	NA	2-Pos, MND	Red	1 3/4" Plastic	LED Module - 24 V	Integrated LED	1NO-1NC
52BP2DRAB	52PX2DRAY	2-Pos, MND	Red	1 3/4" Plastic	Full Voltage - 24 V	Single LED	1NO-1NC
52BP2G3A	52PX2G3A	2-Pos, MND	Green	1 3/4" Metal	Transformer - 120 V	Incandescent	1NO-1NC
52BP3G3U	52PX3G3U	3-Pos, MMT	Green	1 3/4" Metal	Transformer - 120 V	Incandescent	1NCXLB-1NC

Non-Illuminated Push-Pull Units



Ordering Guide: Non-Illuminated Push-Pull Units

Example:

- 52PP2W2A**
 - Push-Pull Pushbutton, 30mm
 - Chrome
 - 2-Pos, Maintained
 - Red, Non-Illuminated
 - 1 3/4" Plastic
 - 1NO-1NC

- 52BP3A2**
 - Push-Pull Pushbutton, 30mm
 - BlackMax
 - 3-Pos, Momentary
 - Red, Non-Illuminated
 - 1 3/4" Metal

Selection	1	2	3	4	5	6	7
Catalog Number	52	P	P	2	W	2	A

Use the selection information below to build your non-illuminated push-pull unit catalog number. Please contact your Siemens account manager for further ordering details.

Selection (1)

- Class**
52 30mm
 (Oil Tight Products)

(2)

- Finish**
P Chrome
B BlackMax – NEMA 4X

(3)

- Product Type**
P Non-Illuminated Push-Pull

(4)

- Function**
2 2 Pos: Maintained
3 3 Pos: Momentary
7 3 Pos: Maintained in, Momentary out

Selection (5)

- Style**
A Small Metal - 1 3/4"
W Small Plastic - 1 3/4"
V Large Plastic - 2 1/2"

(6)

- Color Metal**
2 Red
3 Green
C Chrome

Plastic

- 1** Black
2 Red
3 Green
4 Yellow
5 Blue
6 Grey
8 Orange

No Operating Head

- Z** Less head

(7)

Optional Contact Blocks

- 2 Pos Options**
A 1 NO - 1 NC (1-52BJK)

- 3 Pos Options**
U 1 NC - 1 NC extra late break¹
 (1-52BAJ, 1-52BAU)

Additional contact block arrangements are available upon request. See contact block table on page 32 for a complete list of contact block offerings.

¹ Blocks cannot be interchanged (stop-start circuit - pull to start, push to stop).



Stock Product and Cross Reference

The following section is a cross-reference of our pre-2009 generation and new generation of non-illuminated push-pull units.

The listed non-illuminated push-pull units are just a selection of stocked product. Please consult your Siemens account manager for a complete cross-reference and list of stocked product.

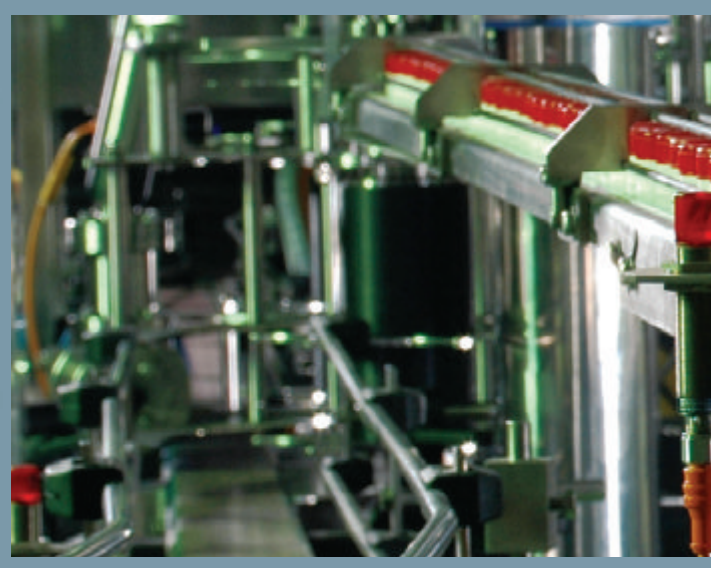
CHROME Non-Illuminated Push-Pull Pushbuttons, 30mm

New Catalog ID	Old Catalog ID	Pos/Func	Color	Head Type	Contacts
52PP2W1	52PA2W1	2-Pos, MND	Black	1 3/4" Plastic	
52PP2A2	52PA2A2	2-Pos, MND	Red	1 3/4" Metal	
52PP2A2A	52PA2A2A	2-Pos, MND	Red	1 3/4" Metal	1NO-1NC
52PP2W2	52PA2W2	2-Pos, MND	Red	1 3/4" Plastic	
52PP2W2A	52PA2W2A	2-Pos, MND	Red	1 3/4" Plastic	1NO-1NC
52PP2V2	52PA2V2	2-Pos, MND	Red	2 1/2" Plastic	
52PP2V2A	52PA2V2A	2-Pos, MND	Red	2 1/2" Plastic	1NO-1NC
52PP2W3	52PA2W3	2-Pos, MND	Green	1 3/4" Plastic	
52PP2AC	52PA2AC	2-Pos, MND	Chrome	1 3/4" Metal	
52PP3A2	52PA3A2	3-Pos, MMT	Red	1 3/4" Metal	
52PP3A2U	52PA3A2U	3-Pos, MMT	Red	1 3/4" Metal	1NCXLB-1NC
52PP3W2	52PA3W2	3-Pos, MMT	Red	1 3/4" Plastic	
52PP3V2	52PA3V2	3-Pos, MMT	Red	2 1/2" Plastic	
52PP7A2	NA	3-Pos, MND-In, MMT-Out	Red	1 3/4" Metal	
52PP7W2	NA	3-Pos, MND-In, MMT-Out	Red	1 3/4" Plastic	
52PP7V2	NA	3-Pos, MND-In, MMT-Out	Red	2 1/2" Plastic	

BLACKMAX Non-Illuminated Push-Pull Pushbuttons, 30mm

New Catalog ID	Old Catalog ID	Pos/Func	Color	Head Type	Contacts
52PP2A2	52PA2A2	2-Pos, MND	Red	1 3/4" Metal	
52BP2A2	52PX2A2	2-Pos, MND	Red	1 3/4" Metal	
52BP2A2A	52PX2A2A	2-Pos, MND	Red	1 3/4" Metal	1NO-1NC
52BP2W2	52PX2W2	2-Pos, MND	Red	1 3/4" Plastic	
552BP2W2A	52PX2W2A	2-Pos, MND	Red	1 3/4" Plastic	1NO-1NC
52BP2V2	52PX2V2	2-Pos, MND	Red	2 1/2" Plastic	
52BP3W1U	52PX3W1U	3-Pos, MMT	Black	1 3/4" Plastic	1NCXLB-1NC
52BP3A2	52PX3A2	3 Pos, MMT	Red	1 3/4" Metal	
52BP3W2	52PX3W2	3 Pos, MMT	Red	1 3/4" Plastic	
52BP3V2	52PX3V2	3-Pos, MMT	Red	2 1/2" Plastic	
52BP7A2	NA	3-Pos, MND-In, MMT-Out	Red	1 3/4" Metal	
52BP7W2	NA	3-Pos, MND-In, MMT-Out	Red	1 3/4" Plastic	
52BP7V2	NA	3-Pos, MND-In, MMT-Out	Red	2 1/2" Plastic	

Twist-to-Release Units



Ordering Guide: Twist-to-Release Units

Example:

Selection	1	2	3	4	5	6	7
Catalog Number	52	P	R	8	E	R	A

Use the selection information below to build your twist-to-release unit catalog number. Please contact your Siemens account manager for further ordering details.

52PR8ERA

- Twist-to-Release Pushbutton, 30mm
- Chrome
- 2-Pos, Maintained
- Red, Illuminated
- 1 3/4" Plastic
- Full Voltage, 120V
- Single LED
- 1NO-1NC

52BR8HRA

- Twist-to-Release Pushbutton, 30 mm
- BlackMax
- 2-Pos, Maintained
- Red, Illuminated
- 1 3/4" Plastic
- Transformer, 240V
- 1NO-1NC

Selection (1)

Class
52 30mm
(Oil Tight Products)

(2)

Finish
P Chrome
B BlackMax - Nema 4X

(3)

Product Type
R Push / Twist Release

(4)

Style
8 Plastic Head

Selection (5)

Operation
Full voltage ☀
B 6 - 8V AC/DC
C 12 - 13V AC/DC
D 24 - 28V AC/DC
E 120V AC/DC

Transformer ☀
G 120V AC
H 240V AC
J 480V AC
K 600V AC

LED module ☀
L 24V AC/DC
M 120V AC
N 240V AC

Lighting Placeholder ☀
X No lighting module¹
Non-Illuminated ☀
W No lighting module, non-illuminated

(6)

Color²
R Red ☀
2 Red ☀
S Green ☀
3 Green ☀
T Amber ☀
9 Yellow ☀
Z Less Operating Head ☀☀

(7)

Optional: LED and/or Contact Blocks
A 1 NO - 1 NC (1-52BJK)
AB 1 NO - 1 NC (1-52BJK) and LED Single Bulb³
XB LED Single Bulb³

Default is incandescent bulb.

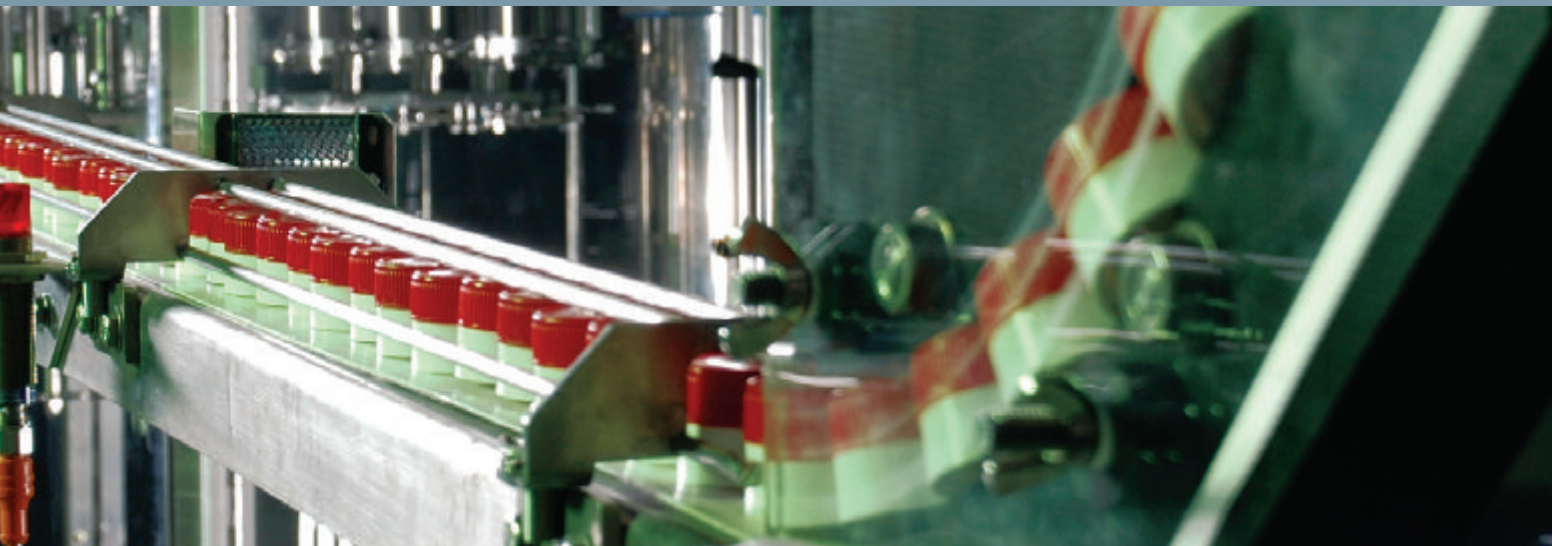
Additional contact block arrangements are available upon request. See contact block table on page 32 for a complete list of contact block offerings.

- ☀ Illuminated
- ☀ Non-Illuminated

¹ Lighting module accessory kits can be ordered on page 31. When using LED, lens and LED bulb must match.

² Illuminated and non-Illuminated features cannot be mixed. Example: If full voltage (illuminated) has been selected, a color with an illuminated symbol must be used.

³ This option cannot be selected when using 12-13V Full Voltage or LED Module. All LED Modules utilize a single LED bulb. When selecting this in combination with 120V Full Voltage, only AC voltage can be used.



Stock Product and Cross Reference

The listed twist-to-release units are just a selection of stocked product. Please consult your Siemens account manager for a complete list of stocked product.

CHROME Twist-to-Release Pushbuttons, 30mm (2-Pos, Maintained)

Catalog ID	Color	Illuminated	Head Type	Power Module	Lamp	Contacts
52PR8ERA	Red	Illum	1 3/4" Plastic	Full Voltage - 120 V	Incandescent Bulb	1NO-1NC
52PR8ERAB	Red	Illum	1 3/4" Plastic	Full Voltage - 120 V	Single LED	1NO-1NC
52PR8DRA	Red	Illum	1 3/4" Plastic	Full Voltage - 24 V	Incandescent Bulb	1NO-1NC
52PR8DRAB	Red	Illum	1 3/4" Plastic	Full Voltage - 24 V	Single LED	1NO-1NC
52PR8MRA	Red	Illum	1 3/4" Plastic	LED Module - 120 V	Integrated LED	1NO-1NC
52PR8LRA	Red	Illum	1 3/4" Plastic	LED Module - 24 V	Integrated LED	1NO-1NC
52PR8NRA	Red	Illum	1 3/4" Plastic	LED Module - 240 V	Integrated LED	1NO-1NC
52PR8GRA	Red	Illum	1 3/4" Plastic	Transformer - 120 V	Incandescent Bulb	1NO-1NC
52PR8GRAB	Red	Illum	1 3/4" Plastic	Transformer - 120 V	Single LED	1NO-1NC
52PR8HRA	Red	Illum	1 3/4" Plastic	Transformer - 240 V	Incandescent Bulb	1NO-1NC
52PR8HRAB	Red	Illum	1 3/4" Plastic	Transformer - 240 V	Single LED	1NO-1NC
52PR8W2	Red	No-Illum	1 3/4" Plastic			
52PR8W2A	Red	No-Illum	1 3/4" Plastic			1NO-1NC

BLACKMAX Twist-to-Release Pushbuttons, 30mm (2-Pos, Maintained)

Catalog ID	Color	Illuminated	Head Type	Power Module	Lamp	Contacts
52BR8DRA	Red	Illum	1 3/4" Plastic	Full Voltage - 24 V	Incandescent Bulb	1NO-1NC
52BR8DRAB	Red	Illum	1 3/4" Plastic	Full Voltage - 24 V	Single LED	1NO-1NC
52BR8ERA	Red	Illum	1 3/4" Plastic	Full Voltage - 120 V	Incandescent Bulb	1NO-1NC
52BR8ERAB	Red	Illum	1 3/4" Plastic	Full Voltage - 120 V	Single LED	1NO-1NC
52BR8LRA	Red	Illum	1 3/4" Plastic	LED Module - 24 V	Integrated LED	1NO-1NC
52BR8MRA	Red	Illum	1 3/4" Plastic	LED Module - 120 V	Integrated LED	1NO-1NC
52BR8NRA	Red	Illum	1 3/4" Plastic	LED Module - 240 V	Integrated LED	1NO-1NC
52BR8GRA	Red	Illum	1 3/4" Plastic	Transformer - 120 V	Incandescent Bulb	1NO-1NC
52BR8GRAB	Red	Illum	1 3/4" Plastic	Transformer - 120 V	Single LED	1NO-1NC
52BR8HRA	Red	Illum	1 3/4" Plastic	Transformer - 240 V	Incandescent Bulb	1NO-1NC
52BR8HRAB	Red	Illum	1 3/4" Plastic	Transformer - 240 V	Single LED	1NO-1NC
52BR8W2	Red	No-Illum	1 3/4" Plastic			
52BR8W2A	Red	No-Illum	1 3/4" Plastic			1NO-1NC

Stock product is subject to availability. This list may change at anytime without notice.

Push-to-Test / Illuminated Pushbuttons



Ordering Guide : Push-to-Test Units

Example:

52PT6G3A

- Push-to-Test Illum PB, 30mm
- Chrome
- Momentary
- Green, Illuminated
- Plastic Lens
- Transformer, 120V
- Incandescent Bulb
- 1NO-1NC

52BT6D3AB

- Push-to-Test Illum PB, 30mm
- BlackMax
- Momentary
- Green, Illuminated
- Plastic Lens
- Full Voltage, 24V
- Single LED
- 1NO-1NC

Selection	1	2	3	4	5	6	7
Catalog Number	52	P	T	6	G	3	A

Use the selection information below to build your push-to-test unit catalog number. Please contact your Siemens account manager for further ordering details.

Selection (1)

Class

52 30mm
(Oil Tight Products)

(2)

Finish

P Chrome
B BlackMax -
NEMA 4X

(3)

Product Type

T Push-to-test / Illuminated
Pushbutton

(4)

Style

6 Plastic Lens

Selection (5)

Operation

Full voltage
B 6 - 8V AC/DC
C 12 - 13V AC/DC
D 24 - 28V AC/DC
E 120V AC/DC

Transformer

G 120V AC
H 240V AC
J 480V AC
K 600V AC

LED Module

L 24V AC/DC
M 120V AC
N 240V AC

Lighting Placeholder

X No lighting module¹

(6)

Color

2 Red
3 Green
5 Blue
9 Amber
A Clear
B White
N No lens

(7)

Optional: LED, Contact Blocks and/or Guards

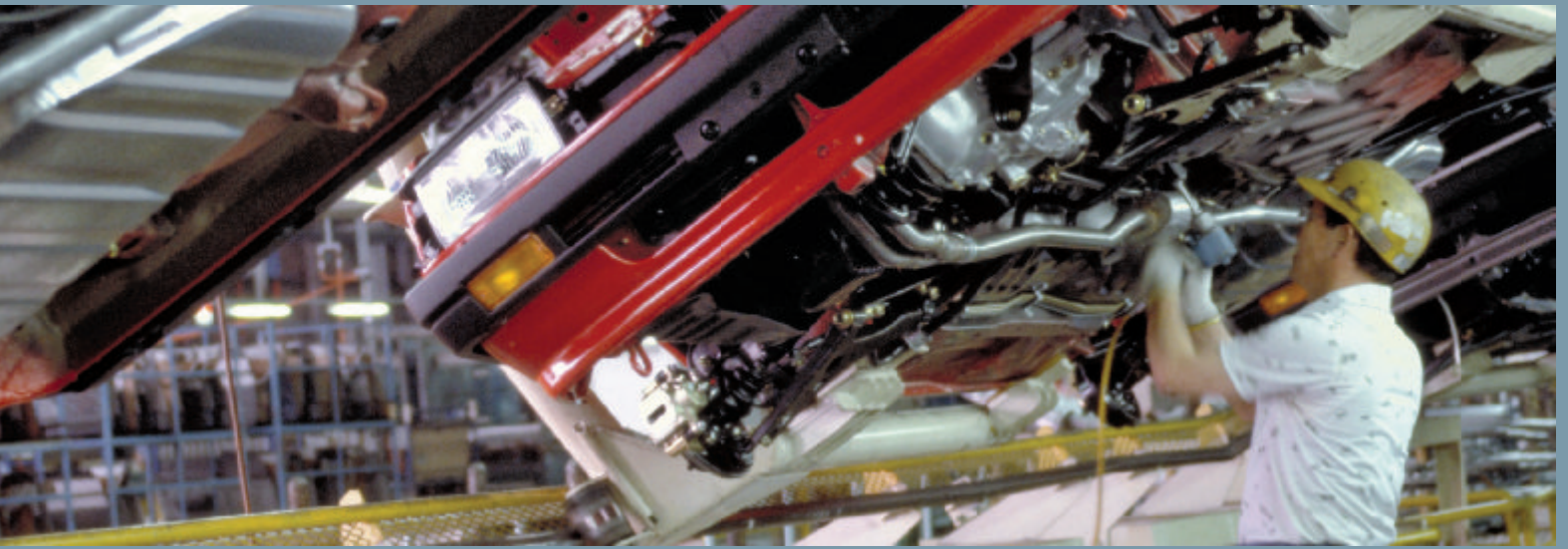
A 1 NO - 1 NC (1-52BJK)
AB 1 NO - 1 NC (1-52BJK)
and LED Single Bulb²
AV 1 NO - 1 NC (1-52BJK)
and Guarded
XB LED Single Bulb²
XV Guarded

Default is incandescent bulb.

Additional contact block arrangements are available upon request. See contact block table on page 32 for a complete list of contact block offerings.

¹ Lighting module accessory kits can be ordered on page 31. When using LED, lens and LED bulb must match.

² This option cannot be selected when using 12-13V Full Voltage or LED Module. All LED Modules utilize a single LED bulb. When selecting this in combination with 120V Full Voltage, only AC voltage can be used.



Stock Product and Cross Reference

The following section is a cross-reference of our pre-2009 generation and new generation of push-to-test/illuminated pushbuttons.

The listed push-to-test/illuminated pushbuttons are just a selection of stocked product. Please consult your Siemens account manager for a complete cross-reference and list of stocked product.

CHROME Push-to-Test and Illuminated Pushbuttons, 30mm (Momentary)

New Catalog ID	Old Catalog ID	Color	Head Type	Power Module	Lamp	Contacts
52PT6D2A	52PA6D2A	Red	Plastic Lens	Full Voltage - 24 V	Incandescent Bulb	1NO-1NC
52PT6D2AB	52PE6D2A	Red	Plastic Lens	Full Voltage - 24 V	Single LED	1NO-1NC
52PT6G2A	52PA6G2A	Red	Plastic Lens	Transformer - 120 V	Incandescent Bulb	1NO-1NC
52PT6G2AB	52PE6G2A	Red	Plastic Lens	Transformer - 120 V	Single LED	1NO-1NC
52PT6D3A	52PA6D3A	Green	Plastic Lens	Full Voltage - 24 V	Incandescent Bulb	1NO-1NC
52PT6D3AB	52PE6D3A	Green	Plastic Lens	Full Voltage - 24 V	Single LED	1NO-1NC
52PT6G3A	52PA6G3A	Green	Plastic Lens	Transformer - 120 V	Incandescent Bulb	1NO-1NC
52PT6G3AB	52PE6G3A	Green	Plastic Lens	Transformer - 120 V	Single LED	1NO-1NC
52PT6G5A	52PA6G5A	Blue	Plastic Lens	Transformer - 120 V	Incandescent Bulb	1NO-1NC
52PT6D9A	52PA6D9A	Amber	Plastic Lens	Full Voltage - 24 V	Incandescent Bulb	1NO-1NC
52PT6D9AB	52PE6D9A	Amber	Plastic Lens	Full Voltage - 24 V	Single LED	1NO-1NC
52PT6G9A	52PA6G9A	Amber	Plastic Lens	Transformer - 120 V	Incandescent Bulb	1NO-1NC
52PT6G9AB	52PE6G9A	Amber	Plastic Lens	Transformer - 120 V	Single LED	1NO-1NC
52PT6DAAB	52PE6DAA	Clear	Plastic Lens	Full Voltage - 24 V	Single LED	1NO-1NC
52PT6DBA	52PA6DBA	White	Plastic Lens	Full Voltage - 24 V	Incandescent Bulb	1NO-1NC
52PT6DBAB	52PE6DBA	White	Plastic Lens	Full Voltage - 24 V	Single LED	1NO-1NC
52PT6GBA	52PA6GBA	White	Plastic Lens	Transformer - 120 V	Incandescent Bulb	1NO-1NC
52PT6GBAB	52PE6GBA	White	Plastic Lens	Transformer - 120 V	Single LED	1NO-1NC
52PT6DNA	52PA6DNA	No Lens	Plastic Lens	Full Voltage - 24 V	Incandescent Bulb	1NO-1NC
52PT6GNA	52PA6GNA	No Lens	Plastic Lens	Transformer - 120 V	Incandescent Bulb	1NO-1NC

Push-to-Test/Illuminated Pushbuttons



BLACKMAX Push-to-Test and Illuminated Pushbuttons, 30mm (Momentary)

New Catalog ID	Old Catalog ID	Color	Head Type	Power Module	Lamp	Contacts
52BT6D2A	52PX6D2A	Red	Plastic Lens	Full Voltage - 24 V	Incandescent Bulb	1NO-1NC
52BT6G2A	52PX6G2A	Red	Plastic Lens	Transformer - 120 V	Incandescent Bulb	1NO-1NC
52BT6G2AB	52PX6G2AY	Red	Plastic Lens	Transformer - 120 V	Single LED	1NO-1NC
52BT6D3A	52PX6D3A	Green	Plastic Lens	Full Voltage - 24 V	Incandescent Bulb	1NO-1NC
52BT6D3AB	52PX6D3AY	Green	Plastic Lens	Full Voltage - 24 V	Single LED	1NO-1NC
52BT6G3A	52PX6G3A	Green	Plastic Lens	Transformer - 120 V	Incandescent Bulb	1NO-1NC
52BT6G3AB	52PX6G3AY	Green	Plastic Lens	Transformer - 120 V	Single LED	1NO-1NC
52BT6D5AB	52PX6D5AY	Blue	Plastic Lens	Full Voltage - 24 V	Single LED	1NO-1NC
52BT6G9A	52PX6G9A	Amber	Plastic Lens	Transformer - 120 V	Incandescent Bulb	1NO-1NC
52BT6G9AB	52PX6G9AY	Amber	Plastic Lens	Transformer - 120 V	Single LED	1NO-1NC
52BT6DBA	52PX6DBA	White	Plastic Lens	Full Voltage - 24 V	Incandescent Bulb	1NO-1NC
52BT6GBA	52PX6GBA	White	Plastic Lens	Transformer - 120 V	Incandescent Bulb	1NO-1NC
52BT6GBAB	52PX6GBAY	White	Plastic Lens	Transformer - 120 V	Single LED	1NO-1NC
52BT6BNA	52PX6BNA	No Lens	Plastic Lens	Full Voltage - 6 V	Incandescent Bulb	1NO-1NC
52BT6DNA	52PX6DNA	No Lens	Plastic Lens	Full Voltage - 24 V	Incandescent Bulb	1NO-1NC
52BT6GNA	52PX6GNA	No Lens	Plastic Lens	Transformer - 24 V	Incandescent Bulb	1NO-1NC

Stock product is subject to availability. This list may change at anytime without notice.

Basic Pushbuttons



Ordering Guide: Basic Pushbuttons

Example:

- 52PA8A1K**
 - Pushbutton, 30mm
 - Chrome
 - 2-Pos, Momentary
 - Black, Non-illuminated
 - Flush
 - 1 NO

- 52PX8B2J**
 - Pushbutton, 30mm
 - BlackMax
 - 2-Pos, Momentary
 - Red, Non-illuminated
 - Extended
 - 1 NC

Selection	1	2	3	4	5	6	7
Catalog Number	52	P	A	8	A	1	K

- Selection (1)**
Class
 52 30mm
 (Oil Tight Products)
- (2)**
Product Type
 P Pushbuttons

- (3)**
Finish
 A Chrome
 X BlackMax - NEMA 4X

- (4)**
Function
 8 2 Pos: Momentary

- Selection (5)**
Head Type
 A Flush
 B Raised
 C Step raised
- (6)**
Color
 1 Black
 2 Red
 3 Green
 4 Yellow
 5 Blue
 6 Gray
 8 Orange

- (7)**
Optional: Contact Blocks
 A 1 NO - 1 NC (1-52BJK)
 B 2 NO - 2 NC (2-52BJK)
 F 2 NO (2-52BAK)
 G 2 NC (2-52BAJ)
 J 1 NC (1-52BAJ)
 K 1 NO (1-52BAK)

Use the selection information below to build your basic pushbutton catalog number. Please contact your Siemens account manager for further ordering details.

Additional contact block arrangements are available upon request. See contact block table on page 32 for a complete list of contact block offerings.

Basic Pushbuttons



Stock Product

The listed basic pushbuttons are just a selection of stocked product. Please consult your Siemens account manager for a complete list of stocked product.

CHROME 2-Pos Basic Pushbuttons, 30mm (Momentary)

Catalog ID	Color	Head Type	Contacts
52PA8B1	Black	Extended	
52PA8B1K	Black	Extended	1NO
52PA8A1	Black	Flush	
52PA8A1J	Black	Flush	1NC
52PA8A1K	Black	Flush	1NO
52PA8A1A	Black	Flush	1NO-1NC
52PA8B2	Red	Extended	
52PA8B2J	Red	Extended	1NC
52PA8B2K	Red	Extended	1NO
52PA8B2A	Red	Extended	1NO-1NC
52PA8A2	Red	Flush	
52PA8A2J	Red	Flush	1NC
52PA8A2K	Red	Flush	1NO
52PA8A2A	Red	Flush	1NO-1NC
52PA8B3	Green	Extended	
52PA8B3K	Green	Extended	1NO
52PA8A3	Green	Flush	
52PA8A3K	Green	Flush	1NO
52PA8A3A	Green	Flush	1NO-1NC
52PA8A4	Yellow	Flush	
52PA8A5	Blue	Flush	
52PA8A6	Gray	Flush	
52PA8	No Lens		

Stock product is subject to availability. This list may change at anytime without notice.



BLACKMAX 2-Pos Basic Pushbuttons, 30mm

Catalog ID	Color	Head Type	Contacts
52PX8B2	Red	Extended	
52PX8B2J	Red	Extended	1NC
52PX8A2	Red	Flush	
52PX8A2J	Red	Flush	1NC
52PX8A2K	Red	Flush	1NO
52PX8A2A	Red	Flush	1NO-1NC
52PX8A1	Black	Flush	
52PX8A1K	Black	Flush	1NO
52PX8A1A	Black	Flush	1NO-1NC
52PX8A3	Green	Flush	
52PX8A3K	Green	Flush	1NO
52PX8A3A	Green	Flush	1NO-1NC
52PX8	No Lens		

Stock product is subject to availability. This list may change at anytime without notice.

Mushroom Head Pushbuttons



Ordering Guide: Mushroom Head Pushbuttons

Example:

52PX9E3K

- Mushroom Head Pushbutton, 30mm
- BlackMax
- 2-Pos, Momentary
- Green, Non-illuminated
- 2 1/2" Plastic
- 1NO

52PB9D2

- Mushroom Head Pushbutton, 30mm
- Chrome
- 2-Pos, Momentary
- Red, Non-illuminated
- 1 5/8" Plastic

Selection	1	2	3	4	5	6	7
Catalog Number	52	P	X	9	E	3	K

Use the selection information below to build your basic mushroom head pushbutton catalog number. Please contact your Siemens account manager for further ordering details.

Selection (1)

Class
52 30mm
(Oil Tight Products)

(2)

Product Type
P Mushroom Head Pushbuttons

(3)

Model
B Chrome
X BlackMax - Nema 4X

(4)

Function
9 2 Pos: Momentary

Selection (5)

Style
D Small Plastic, 1 5/8"
E Large Plastic, 2 1/2"

(6)

Color
1 Black
2 Red
3 Green
4 Yellow
5 Blue
6 Gray
8 Orange

(7)

Optional: Contact Blocks
A 1 NO - 1 NC (1-52BJK)
B 2 NO - 2 NC (2-52BJK)
F 2 NO (2-52BAK)
G 2 NC (2-52BAJ)
J 1 NC (1-52BAJ)
K 1 NO (1-52BAK)

Additional contact block arrangements are available upon request. See contact block table on page 32 for a complete list of contact block offerings.



Stock Product

The listed basic mushroom pushbuttons are just a selection of stocked product. Please consult your Siemens account manager for a complete list of stocked product.

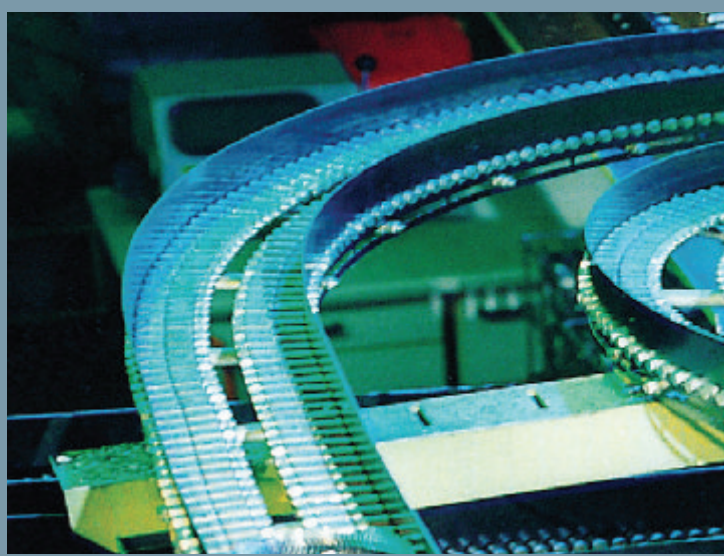
CHROME 2-Pos Basic Mushroom Pushbuttons, 30mm (Momentary)

Catalog ID	Color	Head Type	Contacts
52PB9D1	Black	1 5/8" Plastic	
52PB9D2	Red	1 5/8" Plastic	
52PB9D2J	Red	1 5/8" Plastic	1NC
52PB9D2K	Red	1 5/8" Plastic	1NO
52PB9D2A	Red	1 5/8" Plastic	1NO-1NC
52PB9E2	Red	2 1/2" Plastic	
52PB9E2J	Red	2 1/2" Plastic	1NC
52PB9E2K	Red	2 1/2" Plastic	1NO
52PB9D3	Green	1 5/8" Plastic	
52PB9E3	Green	2 1/2" Plastic	
52PB9D4	Yellow	1 5/8" Plastic	
52PB9	No Lens		

BLACKMAX 2-Pos Basic Mushroom Pushbuttons, 30mm (Momentary)

Catalog ID	Color	Head Type
52PX9D2	Red	1 5/8" Plastic
52PX9	No Head/Lens	

Keyed Selector Switches



Ordering Guide: Keyed Selector Switches

Example:

52SC6AFK1

- Keyed Selector Switch, 30mm
- Chrome, Standard
- 2-Pos, Maintained
- Key removal in left position
- Cam A
- 1 NC

52SC5BEX300

- Keyed Selector Switch, 30mm
- Chrome, Non-standard key
- 3-Pos, Maintained
- Key removal in all positions
- Cam B
- Lock/key number 548CH

Selection	1	2	3	4	5	6	7
Catalog Number	52	S	C	6	A	F	K1

Use the selection information below to build your keyed selector switch catalog number. Please contact your Siemens account manager for further ordering details.

Selection (1) Class

52 Pushbutton
(Oil Tight)

(2) Type

S Keyed Selector Switch

(3) Model

C Chrome

(4) Style

5 Non-standard Lock/Key¹
6 Standard Lock/Key

Selection (5) Cam

A 2 Pos: CAM A
B 3 Pos: CAM B
C 3 Pos: CAM C
D 3 Pos: CAM D
E 3 Pos: CAM E
G 3 Pos: CAM G
H 4 Pos: CAM H

Please see page 29 for Cam selection

(6) Lock Type

2 Position
E Maintained, removal in both positions
F Maintained, removal in left
G Maintained, removal in right
X Spring return from right, lock left

3 Position

E Maintained, removal in all positions
F Maintained, removal in left
G Maintained, removal in right
H Maintained, removal in center
J Maintained, removal in left and right
K Maintained, removal in left and center
M Maintained, removal in right and center
T Spring return from left, lock center
U Spring return from right, lock center
V Spring return from left and right, lock center
W Spring return from left, lock right
Y Spring return from left, lock center and right
Z Spring return from right, lock left and center

4 Position

E Maintained, removal in all positions
F Maintained, removal in left
G Maintained, removal in right

(7)

Optional: Contact Blocks and Mounting Positions

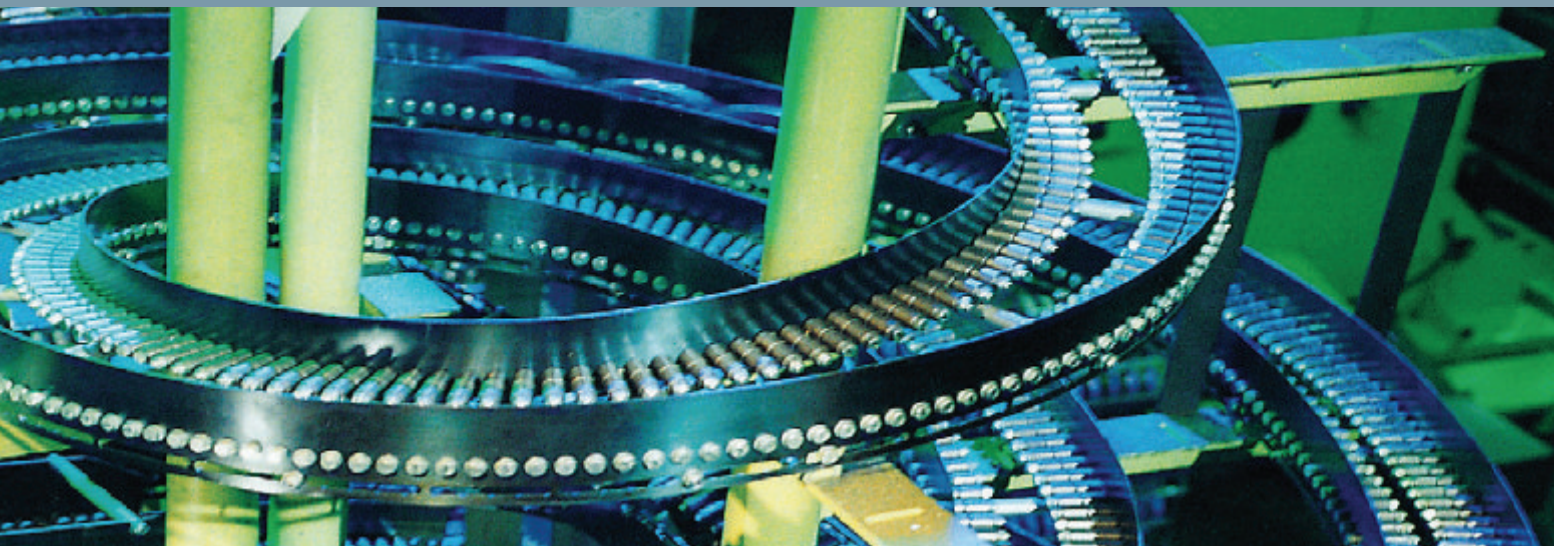
A0 1 NO - 1 NC (1-52BJK)
Mounted on left
A1 1 NO - 1 NC (1-52BJK)
Mounted on right
A2 2 NO - 2 NC (2-52BJK)
Mounted one left and one right
J0 1 NC (1-52BAJ)
Mounted on left
J1 1 NC (1-52BAJ)
Mounted on right
J2 2 NC (2-52BAJ)
Mounted one left & one right
J2K1 2NC - 1 NO (2-52BAJ and 1-52BAK)
Mounted one left (52BAJ) and one right (52BAK)
K0 1 NO (1-52BAK)
Mounted on left
K1 1 NC (1-52BAK)
Mounted on right
K2 2 NC (2-52BAK)
Mounted one left & one right

Additional contact block combination arrangements are available upon request. See contact block table on page 32 for a complete list of contact block offerings.

See table at top of page 34 for contact block position.

¹ Please append X___ to the end of the catalog number to specify which non-standard lock/key to use. For example, append X299 to get lock/key number 549CH.

X298 = 550CH
X299 = 549CH
X300 = 548CH
X301 = 547CH
X302 = 546CH



Stock Product

The listed keyed selector switches are just a selection of stocked product. Please consult your Siemens accountmanager for a complete list of stocked product.

CHROME Keyed Selector Switches, 30mm

Catalog ID	Pos / Funct	Cam	Key Removal	Key Type	Contacts
52SC6AE	2-Pos, Maintained	A-Cam	All	501CH	
52SC6AF	2-Pos, Maintained	A-Cam	Left	501CH	
52SC6AFK1	2-Pos, Maintained	A-Cam	Left	501CH	1NO (left)
52SC6AX	2-Pos, Spring Return From Right	A-Cam	Left	501CH	
52SC6BE	3-Pos, Maintained	B-Cam	All	501CH	
52SC6BH	3-Pos, Maintained	B-Cam	Center	501CH	
52SC6CE	3-Pos, Maintained	C-Cam	All	501CH	
52SC6BV	3-Pos, Spring Return From Left and Right	B-Cam	Center	501CH	
52SC6HG	4-Pos, Maintained	H-Cam	Right	501CH	

Illuminated Selector Switches



Ordering Guide: Illuminated Selector Switches

Example:

52SA7CDN

- Illuminated Selector Switch
- 30mm
- Chrome
- 3-Position, Maintained
- Full Voltage - 24V
- Incandescent Bulb
- Cam C

52SA7BC3

- Illuminated Selector Switch
- 30mm
- Chrome
- 3-Position, Maintained
- Full Voltage - 12V
- Incandescent Bulb
- Cam B

Selection	1	2	3	4	5	6	7	8
Catalog Number	52	S	A	7	C	D	N	

Use the selection information below to build your illuminated selector switch catalog number. Please contact your Siemens account manager for further ordering details.

<p>Selection (1) <u>Class</u> 52 Pushbutton (Oil Tight)</p>	<p>(2) <u>Type</u> S Illuminated Selector Switch</p>	<p>(3) <u>Finish</u> A Chrome B BlackMax</p>	<p>(4) <u>Description</u> 7 Maintained</p>	<p>(5) <u>CAM</u> A 2 Pos: CAM A B 3 Pos: CAM B C 3 Pos: CAM C</p>
<p>Selection (6) <u>Operation</u> <u>Full voltage</u> B 6 - 8V AC/DC C 12 - 13V AC/DC D 24 - 28V AC/DC E 120V AC/DC</p> <p><u>Transformer</u> G 120V AC H 240V AC J 480V AC K 600V AC</p>	<p>(7) <u>Color</u> 2 Red 3 Green 5 Blue 9 Amber A Clear N No Lens</p>	<p>(8) <u>Optional¹</u> <u>Mounted on Left (CAM A and C)</u> A0 1 NO - 1 NC (1-52BJK) A3 2 NO - 2 NC (2-52BJK) J0 1 NC (1-52BAJ) J3 2 NC (2-52BAJ) K0 1 NO (1-52BAK) K3 2 NO (2-52BAK)</p> <p><u>Mounted on Right (CAM B)</u> A2 1 NO - 1 NC (1-52BJK) A4 2 NO - 2 NC (2-52BJK) J2 1 NC (1-52BAJ) J4 2 NC (2-52BAJ) K2 1 NO (1-52BAK) K4 2 NO (2-52BAK)</p>	<p>Please see page 29 for CAM selection.</p>	

Additional contact block arrangements are available upon request. See contact block table on page 32 for a complete list of contact block offerings.

See table at top of page 34 for contact block position.

¹ CAM A and CAM C have the light illumination assembly on the right, so contact blocks must be mounted on the left. CAM B has the light illumination assembly on the left, so contact blocks must be mounted on the right.



Stock Product

The listed illuminated selector switches are just a selection of stocked product. Please consult your Siemens account manager for a complete list of stocked product.

CHROME Illuminated Selector Switches, 30mm

Catalog ID	Pos / Func	Power Module	Lamp	Cam
52SA7AGN	2-Pos, Maintained	Transformer - 120 V	Incandescent Bulb	Cam A
52SA7CDN	3-Pos, Maintained	Full Voltage - 24 V	Incandescent Bulb	Cam C

Non-Illuminated Selector Switches



Ordering Guide: Non-Illuminated Selector Switches

Example:

52SW2AAB

- Selector Switch, 30mm
- BlackMax, Long Lever
- 2-Pos, Maintained
- White Insert
- CAM A

52SA2AABA1

- Selector Switch, 30mm
- Chrome, Short Lever
- 2-Pos, Maintained
- White Insert
- CAM A
- 1NO-1NC

Selection	1	2	3	4	5	6	7	8
Catalog Number	52	S	W	2	A	A	B	

Use the selection information below to build your non-illuminated selector switch catalog number. Please contact your Siemens account manager for further ordering details.

Selection (1)

Class

52 Pushbutton
(Oil Tight)

(2)

Product Type

S Selector Switch

(3)

Model

A Chrome, short lever
 B Chrome, long lever
 X BlackMax - NEMA 4X short lever
 W BlackMax - NEMA 4X long lever

(4)

Style

2 Non-Illuminated

(5)

CAM

A 2 Pos: CAM A
 B 3 Pos: CAM B
 C 3 Pos: CAM C
 D 3 Pos: CAM D
 E 3 Pos: CAM E
 G 3 Pos: CAM G
 H 4 Pos: CAM H

Please see page 34 for CAM selection.

Selection (6)

Description

2 Position

A Maintained all positions
 C Spring return from left

3 Position

A Maintained all positions
 B Spring Return from left
 C Spring Return from right
 D Spring Return from left & right

4 Position

A Maintained all positions

(7)

Color

2 Red
 3 Green
 4 Yellow
 B White
 N No lens/head

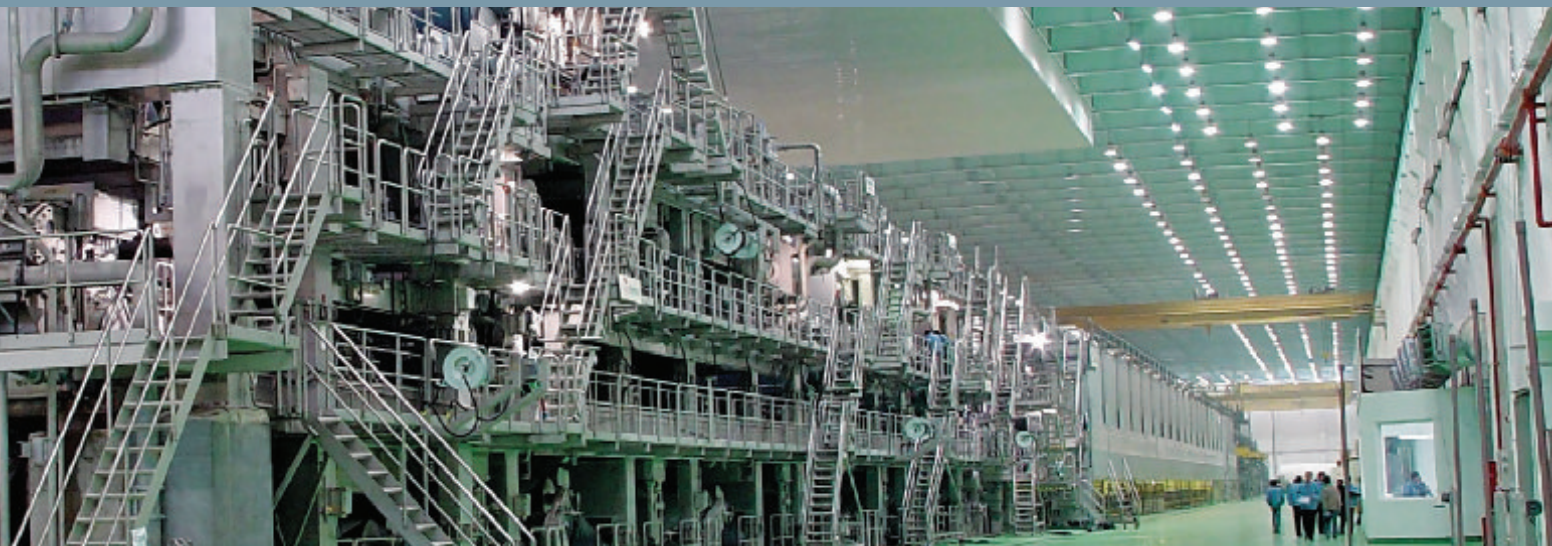
(8)

Optional: Contact Blocks and Mounting Positions

A0 1 NO - 1 NC (1-52BJK) Mounted on left
 A1 1 NO - 1 NC (1-52BJK) Mounted on right
 A2 2 NO - 2 NC (2-52BJK) Mounted one left and one right
 J0 1 NC (1-52BAJ) Mounted on left
 J1 1 NC (1-52BAJ) Mounted on right
 J2 2 NC (2-52BAJ) Mounted one left & one right
 J2K1 2NC - 1 NO (2-52BAJ & 1-52BAK) Mounted one left (52BAJ) & one right (52BAK)
 K0 1 NO (1-52BAK) Mounted on left
 K1 1 NC (1-52BAK) Mounted on right
 K2 2 NC (2-52BAK) Mounted one left and one right

Additional contact block combination arrangements are available upon request. See contact block table on page 32 for a complete list of contact block offerings.

See table at top of page 34 for contact block position.



Stock Product

The listed selector switches are just a selection of stocked product. Please consult your Siemens account manager for a complete list of stocked product.

CHROME Selector Switches, 30mm

Catalog ID	Positions	Function	Color	Head Type	Cam	Contacts
52SB2AAB	2-Pos	Maintained	White Insert	Long Lever	A-Cam	
52SB2AABA1	2-Pos	Maintained	White Insert	Long Lever	A-Cam	1NO-1NC
52SA2AAB	2-Pos	Maintained	White Insert	Short Lever	A-Cam	
52SA2AABK0	2-Pos	Maintained	White Insert	Short Lever	A-Cam	1NO
52SA2AABK1	2-Pos	Maintained	White Insert	Short Lever	A-Cam	1NO
52SA2AABA1	2-Pos	Maintained	White Insert	Short Lever	A-Cam	1NO-1NC
52SA2AA4	2-Pos	Maintained	Yellow Insert	Short Lever	A-Cam	
52SB2ACB	2-Pos	Spring Return From Right	White Insert	Long Lever	A-Cam	
52SA2ACB	2-Pos	Spring Return From Right	White Insert	Short Lever	A-Cam	
52SA2ACBK1	2-Pos	Spring Return From Right	White Insert	Short Lever	A-Cam	1NO
52SB2BAB	3-Pos	Maintained	White Insert	Long Lever	B-Cam	
52SB2CAB	3-Pos	Maintained	White Insert	Long Lever	C-Cam	
52SB2CABA1	3-Pos	Maintained	White Insert	Long Lever	C-Cam	1NO-1NC
52SB2GAB	3-Pos	Maintained	White Insert	Long Lever	G-Cam	
52SA2BAB	3-Pos	Maintained	White Insert	Short Lever	B-Cam	
52SA2CAB	3-Pos	Maintained	White Insert	Short Lever	C-Cam	
52SA2CABA1	3-Pos	Maintained	White Insert	Short Lever	C-Cam	1NO-1NC
52SA2CABA2	3-Pos	Maintained	White Insert	Short Lever	C-Cam	1NO-1NC
52SA2GAB	3-Pos	Maintained	White Insert	Short Lever	G-Cam	
52SB2CBB	3-Pos	Spring Return From Left	White Insert	Long Lever	C-Cam	
52SA2BBB	3-Pos	Spring Return From Left	White Insert	Short Lever	B-Cam	
52SA2CBB	3-Pos	Spring Return From Left	White Insert	Short Lever	C-Cam	
52SB2BDB	3-Pos	Spring Return From Left and Right	White Insert	Long Lever	B-Cam	
52SB2CDB	3-Pos	Spring Return From Left and Right	White Insert	Long Lever	C-Cam	
52SA2BDB	3-Pos	Spring Return From Left and Right	White Insert	Short Lever	B-Cam	
52SA2CDB	3-Pos	Spring Return From Left and Right	White Insert	Short Lever	C-Cam	
52SA2CDBA1	3-Pos	Spring Return From Left and Right	White Insert	Short Lever	C-Cam	1NO-1NC
52SA2CDBA2	3-Pos	Spring Return From Left and Right	White Insert	Short Lever	C-Cam	1NO-1NC
52SA2BD4K2	3-Pos	Spring Return From Left and Right	Yellow Insert	Short Lever	B-Cam	1NO
52SB2CCB	3-Pos	Spring Return From Right	White Insert	Long Lever	C-Cam	
52SA2BCB	3-Pos	Spring Return From Right	White Insert	Short Lever	B-Cam	
52SB2HAB	4-Pos	Maintained	White Insert	Long Lever	H-Cam	
52SA2HAB	4-Pos	Maintained	White Insert	Short Lever	H-Cam	

Stock product is subject to availability. This list may change at anytime without notice.

Non-Illuminated Selector Switches



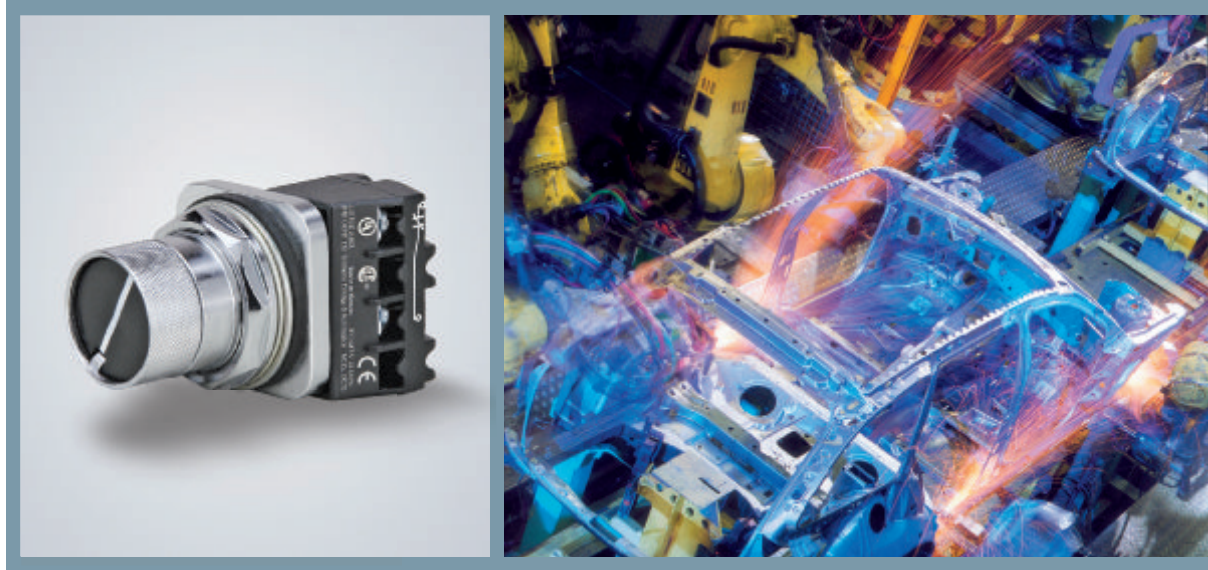
BlackMax Selector Switches, 30mm

Catalog ID	Positions	Function	Color	Head Type	Cam	Contacts
52SW2AAB	2-Pos	Maintained	White Insert	Long Lever	A-Cam	
52SW2AABA1	2-Pos	Maintained	White Insert	Long Lever	A-Cam	1NO-1NC
52SW2BAB	3-Pos	Maintained	White Insert	Long Lever	B-Cam	
52SW2CAB	3-Pos	Maintained	White Insert	Long Lever	C-Cam	
52SW2CABA1	3-Pos	Maintained	White Insert	Long Lever	C-Cam	1NO-1NC
52SX2AAB	2-Pos	Maintained	White Insert	Short Lever	A-Cam	
52SX2AABK1	2-Pos	Maintained	White Insert	Short Lever	A-Cam	1NO
52SX2BAB	3-Pos	Maintained	White Insert	Short Lever	B-Cam	
52SX2BBB	3-Pos	Spring Return From Left	White Insert	Short Lever	B-Cam	
52SX2BDB	3-Pos	Spring Return From Left and Right	White Insert	Short Lever	B-Cam	
52SX2CAB	3-Pos	Maintained	White Insert	Short Lever	C-Cam	
52SX2CABA1	3-Pos	Maintained	White Insert	Short Lever	C-Cam	1NO-1NC
52SX2CBB	3-Pos	Spring Return From Left	White Insert	Short Lever	C-Cam	

¹ CAM A and CAM C have the light illumination assembly on the right, so contact blocks must be mounted on the left. CAM B has the light illumination assembly on the left, so contact blocks must be mounted on the right.

Stock product is subject to availability. This list may change at anytime without notice.

Selector Pushbuttons



Ordering Guide: Selector Pushbuttons

Example:

52SA3P1

- Selector Pushbutton, 30mm
- Chrome
- 2-Position
- Cam P
- Black

52SA4S1

- Selector Pushbutton, 30mm
- Chrome
- 3-Position
- Cam S
- Black

Selection	1	2	3	4	5	6
Catalog Number	52	S	A	3	P	1

Use the selection information below to build your selector pushbutton catalog number. Please contact your Siemens account manager for further ordering details.

Selection (1) <u>Class</u> 52 Pushbutton (Oil Tight)	(2) <u>Product Type</u> S Push Selector Switch	(3) <u>Finish</u> A Chrome	(4) <u>Style</u> 3 Flush Button 4 Extended Button
-------------------------------------------------------------------	-------------------------------------------------------------	-----------------------------------------	-------------------------------------------------------------------

Selection (5) <u>CAM</u> P 2 Pos: CAM P Q 2 Pos: CAM Q R 2 Pos: CAM R S 3 Pos: CAM S	(6) <u>Color</u> 1 Black 2 Red
------------------------------------------------------------------------------------------------------------	------------------------------------------------

Please see bottom of page 34 for CAM selection.

Stock Product

The listed selector pushbuttons are just a selection of stocked product. Please consult your Siemens accountmanager for a complete list of stocked product.

Catalog ID	Pos ition	Function	Color	Head Type	Cam
52SA3Q1	2-Pos	Momentary	Black	Flush	Q-Cam

Stock product is subject to availability. This list may change at anytime without notice.

Operator Specific Accessories

Pushbuttons



	Flush and Extended Buttons Non-Illum PB	Mushroom Head (Ext.) Plastic / Non-Illum PB	Mushroom Head (Ext.) Metal / Non-Illum PB	Button Lens Push-to Test / Illum PB
Black ●	52RA1□1	52RB3□1		
Red ●	52RA1□2	52RB3□2	52RB3F2	52RA5P2
Green ●	52RA1□3	52RB3□3	52RB3F3	52RA5P3
Yellow ●	52RA1□4	52RB3□4		
Blue ●	52RA1□5	52RB3□5		52RA5P5
Grey ●	52RA1□6	52RB3□6		
Orange ●	52RA1□8	52RB3□8		
Amber ●				52RA5P9
Clear ○				52RA5PA
White ●				52RA5PB
Chrome Plated			52RB3FC	
Kit (All Avail. Colors)	52RA1□N	52RB3□N		

A Flush
F Extended
D 1 5/8" Head
E 2 1/2" Head

Push-Pull Operators – Mushroom Head



Push-Pull Devices	Plastic / Non-Illum	Plastic / Illum	Metal / Non-Illum	Metal / Illum
Black ●	52RC3□1			
Red ●	52RC3□2	52RC3□R	52RC2F2	52R□3H2
Green ●	52RC3□3	52RC3□S	52RC2F3	52R□3H3
Yellow ●	52RC3□4			
Blue ●	52RC3□5			52R□3H5
Grey ●	52RC3□6			
Orange ●	52RC3□8			
Amber ●		52RC3□T		52R□3H9
Clear ○				52R□3HA
White ●				52R□3HB
Chrome Plated			52RC2FC	
Kit (All Avail. Colors)	52RC3□N			

D 1 3/4" Head
E 2 1/2" Head
J 1 3/4" Head
K 2 1/2" Head
B Chrome
X BlackMax

Twist-to-Release



Twist-to-Release	Plastic / Non-Illum	Plastic / Illum
Red ●	52RC3R 2	52RC3R R
Green ●	52RC3R 3	52RC3R S
Yellow ●	52RC3R 4	
Amber ●		52RC3R T

Operator Specific Accessories

Selector Switches - 2 Position



Lever Inserts		Lens Kit - Illum (Knob plus Insert)	
Red	●	52RA2□2	52RA6P2
Green	●	52RA2□3	52RA6P3
Yellow	●	52RA2□4	
Blue	●	52RA2□5	52RA6P5
Amber	●		52RA6P9
Grey	●	52RA2□6	
Orange	●	52RA2□8	
Clear	○		52RA6PA
White	○	52RA2□B	52RA6PB

A Short Lever
B Long Lever

Pilot Lights



Lens	
Red	● 52RA4□2
Green	● 52RA4□3
Blue	● 52RA4□5
Amber	● 52RA4□9
Clear	○ 52RA4□A
White	○ 52RA4□B
Kit (All Colors)	52RA□N

S Plastic
T Glass

Lighting Modules Accessory Kit¹

Full-Voltage			
	LED	LED Cluster	Incandescent
Red	● 52AAF□2 B	52AAF□2 Y	
Green	● 52AAF□3 B	52AAF□3 Y	
Yellow	● 52AAF□4 B	52AAF□4 Y	
Blue	● 52AAF□5 B		
White	○ 52AAF□B B		
Incandescent	○		52AAF□
	B 6V D 24V E 120V	B 6V D 24V E 120V	B 6V D 24V E 120V

Transformer			
	LED	LED Cluster	Incandescent
Red	● 52AAT□2 B	52AAT□2 Y	
Green	● 52AAT□3 B	52AAT□3 Y	
Yellow	● 52AAT□4 B	52AAT□4 Y	
Blue	● 52AAT□5 B		
White	○ 52AAT□B B		
Incandescent	○		52AAT□
	G 120V H 240V J 480V K 600V	G 120V H 240V J 480V K 600V	G 120V H 240V J 480V K 600V

LED Module	
Single LED	
Red	● 52AAT□2
Green	● 52AAT□3
Yellow	● 52AAT□4
Blue	● 52AAT□5
White	○ 52AAT□B
	L 24 V AC/DC M 120 V AC N 240V AC

¹ When using LED, the LED bulb and lens must match. When using incandescent bulb, any color lens may be used.

General Accessories

Contact Blocks



Contact Blocks for All Operators	
52BAK	1 NO
52BAJ	1 NC
52BJK	1 NO + 1 NC
52BAH	1 NO Early Make
52BAE	1 NC Late Break
52BAU	1 NC Extra Late Break
52BAR	1 NO + 1 NC ²

Demo Panel



Pilot Lights Demo Panel
Orderable in SAP as DP-31

Lamps

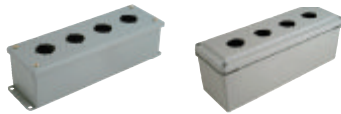


	Lamps - LED ³	Lamps - LED Cluster ³
Red	52AAE□2 ³	52AAE□2Y ³
Green	52AAE□3	52AAE□3Y
Yellow	52AAE□4	52AAE□4Y
Blue	52AAE□5	
White	52AAE□B	
	B 6V UC	B 6V UC
	D 24V UC	D 24V UC
	E 120V AC	E 120V AC



Lamps - Incandescent	
52AABN	6V, Type 755
52AAABNF	6V, Flashing, Type 267
52AACN	12V, Type 756
52AADN	24V, Type 757

Enclosures



Enclosures	
	# of Holes
P30EMS □ □ □	
0 1	NEMA 12/13
0 2 D	NEMA 12/13 Extra Deep
0 3 4	NEMA 4/4X Stainless Steel
0 4 4X	NEMA 4/4X Fiberglass
0 6	
0 9	
1 2	
1 6	

Legend Plate



Legend Plates	
52N□02	Blank
52N□02R	Blank (red)
52N□02B	Blank (black)
52N□18	Close
52N□10	Down
52N□16	Emerg Stop
52N□16R	Emerg Stop (red)
52N□33	Fast-Slow
52N□05	Forward
52N□38	For-Off-Rev
52N□31	For-Rev
52N□37	Hand-Off-Auto
52N□07	High
52N□30	High-Low
52N□44	High-Off-Low
52N□21	In
52N□13	Jog
52N□24	Jog-Forward
52N□25	Jog-Reverse
52N□08	Low
52N□20	Lower
52N□35	Man-Auto
52N□12	Off
52N□26	Off-On
52N□11	On
52N□40	On-Off-Auto
52N□17	Open
52N□34	Open-Close
52N□41	Open-Off-Close
52N□22	Pull to Start Out
52N□47	Push to Stop/Pull to Start
52N□19	Raise
52N□36	Raise-Lower
52N□14	Reset
52N□06	Reverse
52N□23	Run
52N□29	Run-Jog
52N□27	Safe-Run
52N□39	Slow-Off-Fast
52N□03	Start
52N□28	Start-Jog
52N□32	Start-Stop
52N□04	Stop
52N□04R	Stop (red)
52N□09	Up
52N□49	Up-Dow
52N□42	Up-Off-Down

L Large Metal (17/16" x 2")
A Automotive (27/16" x 27/16")

¹ 52BAR

² Hermetically Sealed, UL Listed for Class 1, Division 2, .25A Max., 200V AC, 10 Watt .5A Max., 200V AC, 10 Watt

³ LED bulb and lens must match

General Accessories



Protective Boot



Pushbutton Guard



Lens Guard

Protective Boots and Guards

52AABA	Protective Boot: Clear boot that provides protection of ice and foreign substances from interfering with button operation
52AAGP	Pushbutton guard for non-Illuminated pushbuttons (Chrome)
52AXGP	Pushbutton guard for non-Illuminated pushbuttons (BlackMax)
52AAGL	Lens guard for illuminated pushbuttons/push-to-test units and pilot lights (Chrome)
52AXGL	Lens guard for illuminated pushbuttons/push-to-test units and pilot lights (BlackMax)
52AAGM	1 5/8" (41.3mm) mushroom head pushbutton and push-pull operator guard (Chrome)
52AXGM	1 5/8" (41.3mm) mushroom head pushbutton and push-pull operator guard (BlackMax)



Locknut - Pushbutton



Locknut - 1 5/8" Mushroom Head and Pilot Light



Locknut - Push-Pull, Twist-to-Release and Push-to-Test / Illum PB



Locknut - Selector Switch



Lock Wrench

Locknuts (Replacements for Front Ring)

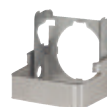
52AANP	Locknut for Non-Illuminated Pushbutton (Chrome)
52AAXP	Locknut for Non-Illuminated Pushbutton (BlackMax)
52AANL	Locknut for Momentary PB Mushroom Head and Pilot Light (Chrome)
52AXNL	Locknut for Momentary PB Mushroom Head and Pilot Light (BlackMax)
52AANS	Locknut for Selector Switch (Chrome)
52AXNS	Locknut for Selector Switch (BlackMax)
52CANP	Locknut for Push-Pull Units, Twist-to-Release Units, and Push-to-Test / Illum Pushbuttons (Chrome)
52CXNP	Locknut for Push-Pull Units, Twist-to-Release Units, and Push-to-Test / Illum Pushbuttons (BlackMax)
52MAWB	Locknut wrench (all devices)



Padlock Attachment - Flush Pushbutton



Padlock Attachment - Pushbutton, Selector Switch and Non-illuminated Mushroom Head Unit



Padlock Attachment - Illuminated Push-Pull Unit

Padlock Attachments

52AALA	Flush pushbutton operators
52AALB	Extended pushbutton operators
52AALS	Pushbuttons, selector switches, and non-illuminated mushroom head operators
52AALE	Illuminated push-pull operators



Corrosion Resistant Hole Plugs



Grounding Kit

Hole Plugs

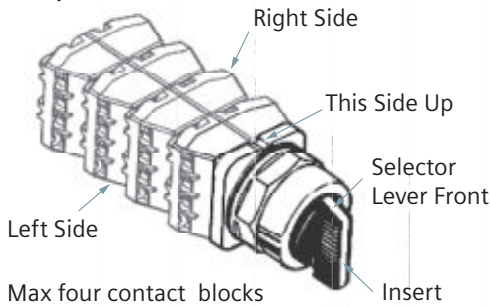
52AAH6	Corrosion resistant
52ABH6	Steel, gray
52ABHS	Stainless steel
52AL109145	Grounding kit (all devices)

Selector Switch and Selector Pushbutton Configurations ¹

1. Determine which table to use based upon the type of selector (non-illum selector switch-top, illum selector switch-middle, and selector pushbutton-bottom).
2. Find the correct number of selector positions (2, 3 or 4 positions).
3. Select the contact operation required for each selector position. X indicates the contacts are closed, while O indicates the contacts are open. (For the selector pushbutton, N=normal and D=depressed).
4. Determine the CAM letter required for the chosen contact operation (only 1 CAM can be used per selector switch or selector pushbutton).
5. Contact blocks must be assembled in the position shown for each circuit application. The mounting position is viewed from the front of the device.

Contact Block Mounting

Example: Non-Illuminated Selector Switch



Non-Illuminated and Keyed Selector Switches Viewed from Front

2 Selector Positions		Contact Block	CAM	Mounting			
Left	Right			Left	Right		
X	O	NC (52BAJ)	A	• or	•		
O	X	NO (52BAK)	A	•			
3 Selector Positions			Contact Block	CAM	Mounting		
Left	Center	Right			Left	Right	
X	O	O	NO (52BAK)	B	–	•	
O	O	X	NO (52BAK)	B	•		
X	X	O	NC (52BAJ)	B	•	–	
O	X	X	NC (52BAJ)	B	–	•	
X	O	X	2-NO (2-52BAK)	B	• and	•	
O	X	O	NO (52BAK)	B	•	–	
X	O	O	NC (52BAJ)	C	• or	•	
O	O	X	NO (52BAK)	C	• or	•	
O	X	O	NC (52BAJ)	D	• or	•	
O	O	X	NO (52BAK)	D	• or	•	
X	O	O	NO (52BAK)	E	• or	•	
O	X	O	NC (52BAJ)	E	• or	•	
X	O	O	NC (52BAJ)	G	•	–	
O	X	O	NC (52BAJ)	G	–	•	
O	O	X	NO (52BAK)	G	• or	•	
4 Selector Positions				Contact Block (s)	CAM	Mounting	
Left	Left Center	Right Center	Right			Left	Right
X	O	O	O	NO (52BAK)	H	•	–
O	X	O	O	NC (52BAJ)	H	•	–
O	O	X	O	NC (52BAJ)	H	–	•
O	O	O	X	NO (52BAK)	H	•	–

Illuminated and Keyed Selector Switches Viewed from Front

2 Selector Positions		Contact Block	CAM	Mounting		
Left	Right			Left	Right	
X	O	NC (52BAJ)	A	•	–	
O	X	NO (52BAK)	A	•	–	
3 Selector Positions			Contact Block	CAM	Mounting	
Left	Center	Right			Left	Right
O	O	X	NO (52BAK)	B	–	•
O	X	O	NO (52BAK)	B	–	•
X	O	O	NC (52BAJ)	C	•	–
O	O	X	NO (52BAK)	C	•	–

Selector Pushbuttons Viewed from Front

2 Selector Positions				CAM	Mounting			
Left	Right		Left		Right			
N	D	N	D					
X	O	O	O	Q	–	•		
X	X	O	O	Q	•	–		
O	X	O	X	Q	–	•		
O	O	O	X	Q	•	–		
X	O	O	O	P	• or	•		
O	X	X	X	P	• or	•		
X	X	X	O	R	•	–		
X	O	X	X	R	–	•		
O	X	O	O	R	•	•		
O	O	O	X	R	•	–		
3 Selector Positions						CAM	Mounting	
Left	Center		Right				Left	Right
N	D	N	D	N	D			
X	X	O	O	O	O	S	•	–
X	O	X	X	O	O	S	–	•
O	X	O	O	O	X	S	–	•
O	O	O	X	O	X	S	•	–

¹ Number of Contact Block Limitations

- CAM C and CAM G are limited to four contact blocks.
- Selector operators in enclosures are limited to a depth of 1 contact block (2 blocks wide).

General Information

UL and CSA

- UL 508 Industrial Control Equipment
- CSA 22.2 No. 14-05. Industrial Control Equipment

CE Mark

- EN 60947-5-1 Ed. 2.2 (Low-voltage switchgear and control gear – Part 5-1: Control Circuit Devices and Switching Elements – Electromechanical Control Circuit Devices)

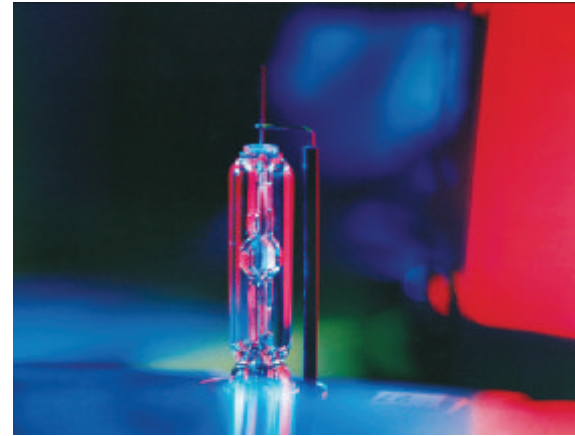
NEMA Types 1, 3, 4, 4X, 12 and 13

IP 10, 11, 14, 52, 54, 56, 57, 67 (front), 20 (back)

IEC 60529

NEMA ICS 5

- Annex F-2002
- High Pressure Power Wash



FAQs

1. What are the new products and features available for the 30mm pilot devices?

a - Previous Generation Improvements:

- I - Modular Lighting Modules – Enabling easy replacement and ability to order as a kit
- II - Ribbed Concentric Lens – Increasing light distribution on the Pilot Lights and Push-to-Test units
- III - Components and features – Enhancing and updating to support our customers with even better designs and aesthetics

b - New Products

- I - Integrated LED Modules
- II - Twist-to-Release
- III - 3-Position Push-to-Maintained
- IV - IEC 6094755 Rated E-Stops for European Market (includes red 2-position push-pull and twist-to-release units)

2. Can I mix new product with the old?

- a - The main constraint from a product mix perspective is using one generation per grouping. For example, don't mix different generations of Pilot Lights.

3. Are the components interchangeable between generations?

- a - For the most part, the answer is no. Components and accessories should be used for a specific generation.

4. How do I select products for the 30mm Pilot Devices? What cross-reference tools are available?

a - Selecting New Generation Products

- I - 30mm Pilot Devices Brochure (this document)
- II - 2010 Industrial Controls Catalog - Section 10
- III - Sielect Online Catalog (<http://sielect.sea.siemens.com>)

b - Old Generation Products

- I - 2006 Industrial Controls Catalog - Section 10
- II - Accessories can be found in the 2010 Industrial Controls Catalog - Section 10

c - Cross-Reference Tools

- I - Sielect Online Catalog (<http://sielect.sea.siemens.com>) has downloads for cross-reference tools (excel based).
- II - 30mm Pilot Devices Brochure (this document) contains cross-reference tables of stocked product.
- III - Pushbutton and Pilot Devices Internet Site has downloads for cross-reference tools (excel based).

5. What are BlackMax products?

- a - BlackMax/NEMA4X provides a corrosion resistant epoxy fluorocarbon coating. Examples of the protection include: hydraulic fluid, methyl ethyl ketone, H-D lube oil, and trichloroethylene.

6. What is the difference between glass and plastic lens?

- a - Plastic lens provide an attractive ribbed/grooved design. Glass lens provide lenses that are noticeably sleek and are made of a robust durable glass. Glass lens are very aesthetically sharp.

7. What is an LED Module? What is the key benefit?

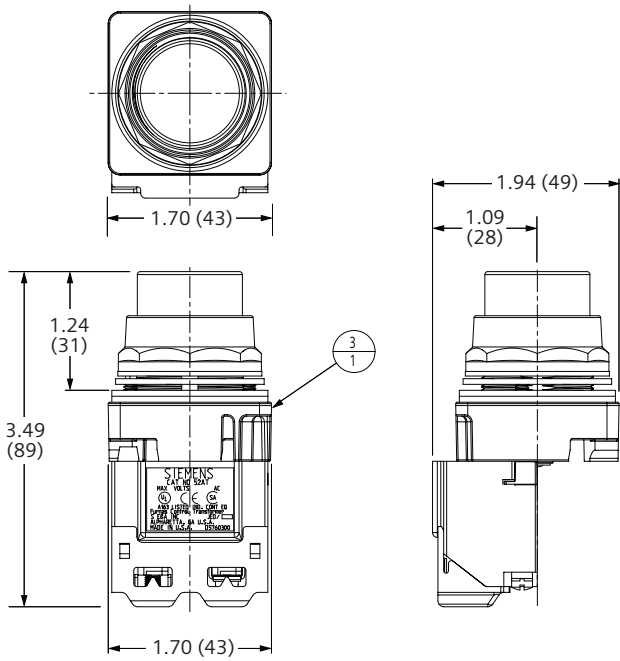
- a - The integrated LED modules are a single unit combining all the features of a LED bulb and lighting module into one. These will have extended life and are the most resistant to vibration.

8. Why are stock products listed in the guide with such emphasis?

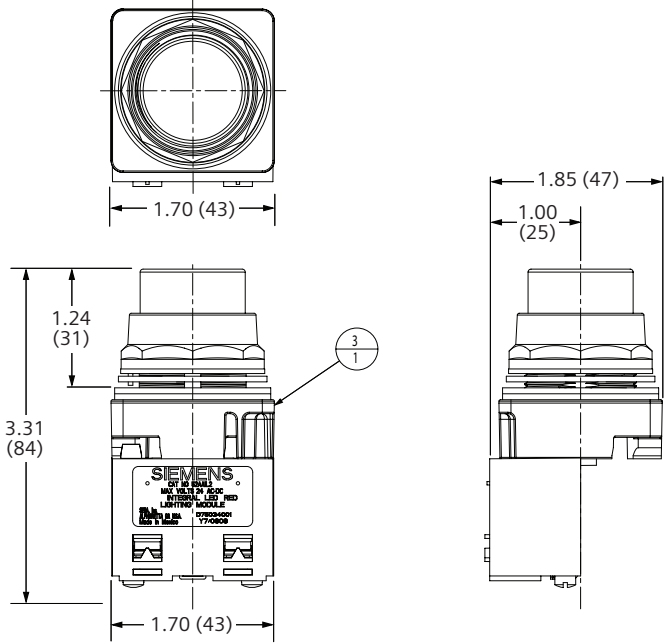
- a - Choosing a stock product will generally give the quickest delivery for our Pilot Devices. Therefore, we are making every effort to provide what's available at our Distribution Center.

Dimension Drawings

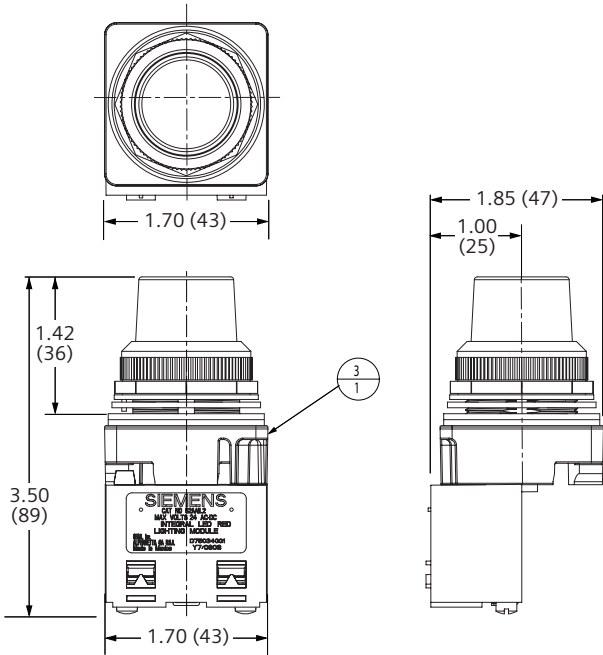
Pilot Light, Plastic Lens, Transformer or Full Voltage, Lighting Module



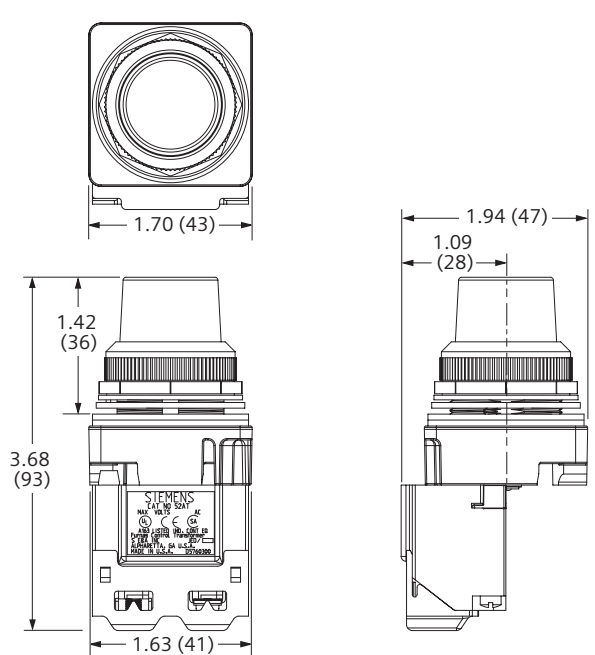
Pilot Light, Plastic Lens, Integral LED, Lighting Module



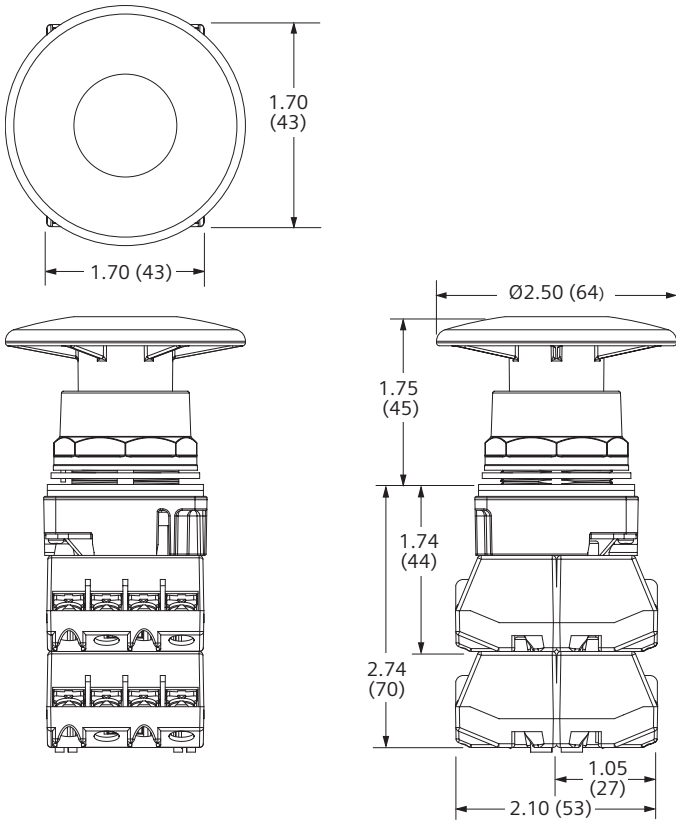
Pilot Light, Glass Lens, Integral LED, Lighting Module



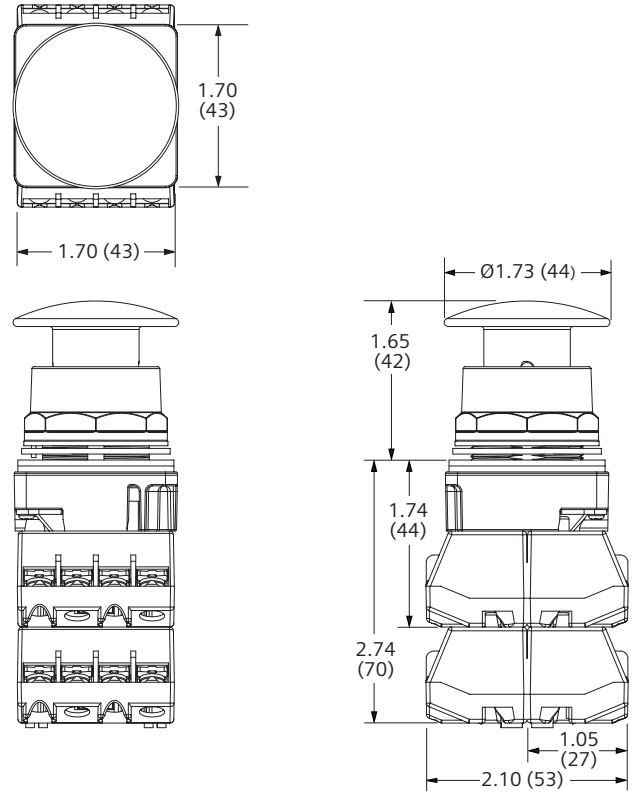
Pilot Light, Glass Lens, Transformer or Full Voltage, Lighting Module



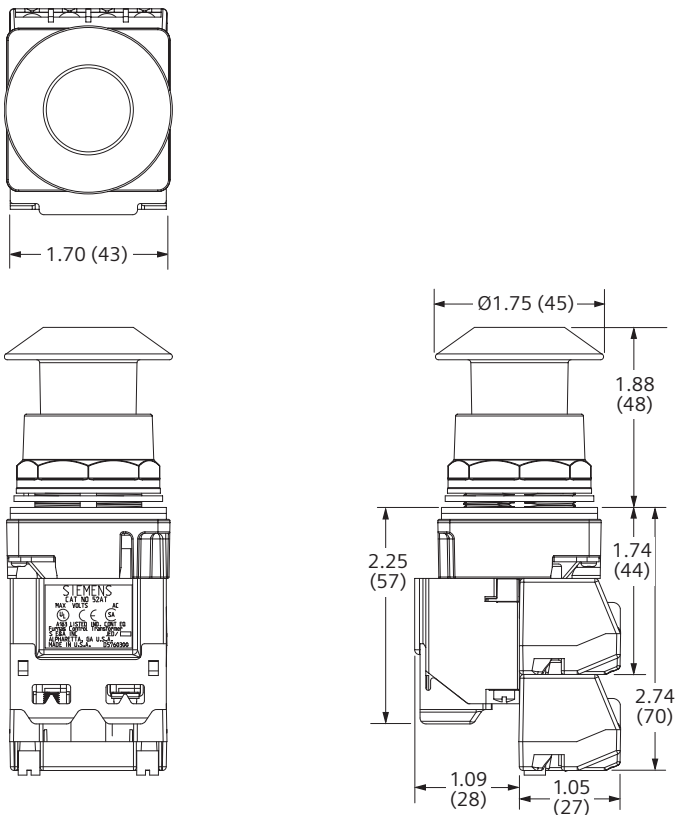
**Non-Illuminated Pushbutton Device,
Large Mushroom Head**



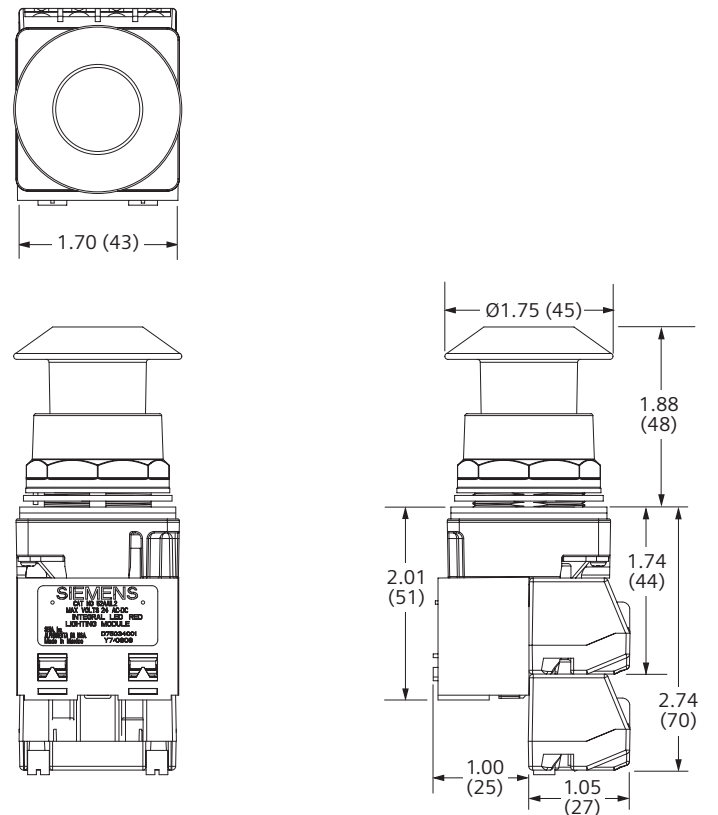
**Non-Illuminated Pushbutton Device,
Metal Mushroom Head**



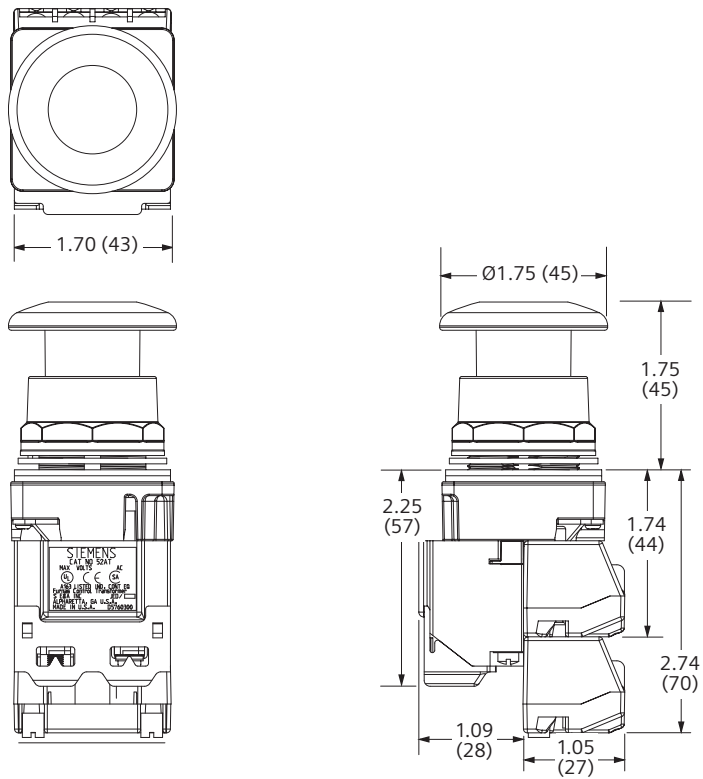
**Pushbutton Device, Illuminated Metal Head,
Transformer or Full Voltage, Lighting Module**



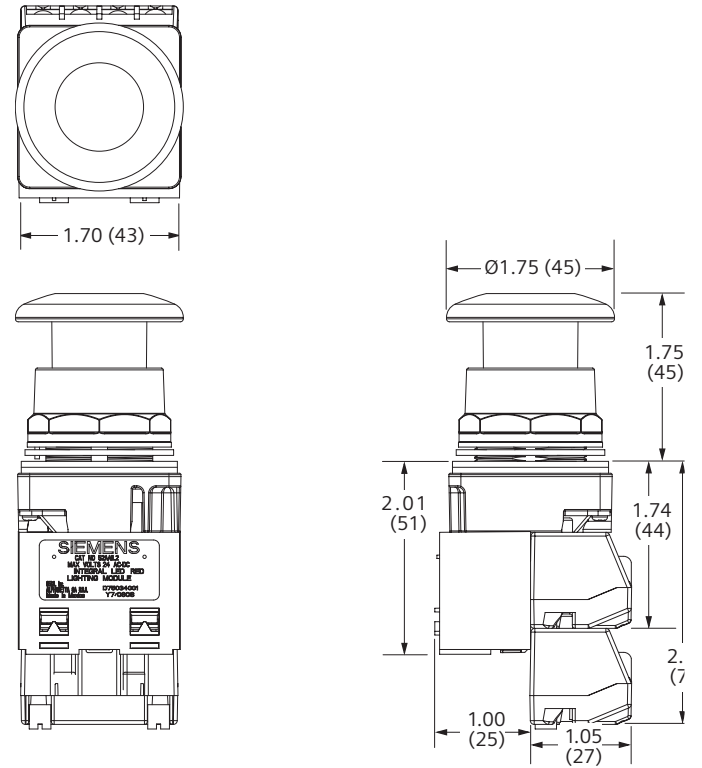
**Pushbutton Device, Illuminated Metal Head,
Integral LED, Lighting Module**



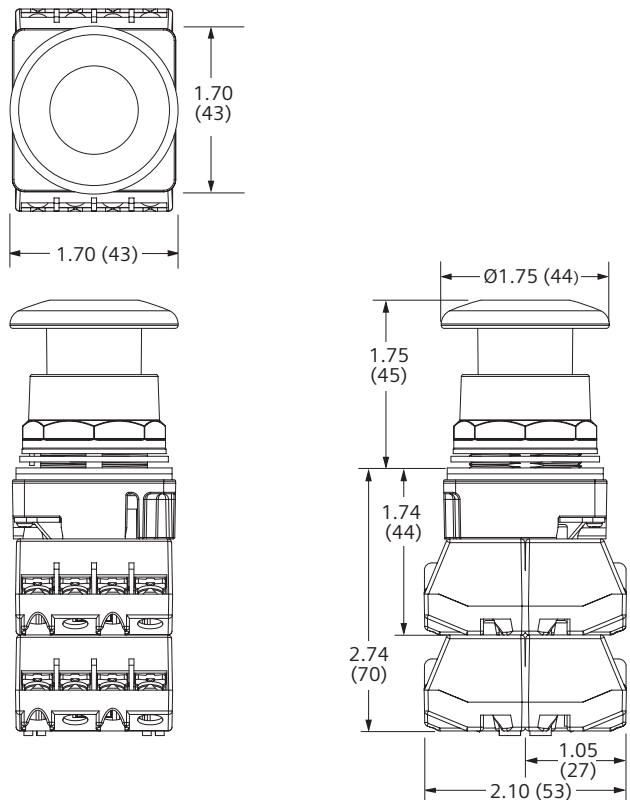
Pushbutton Device, Small Mushroom Head,
Transformer or Full Voltage, Lighting Module



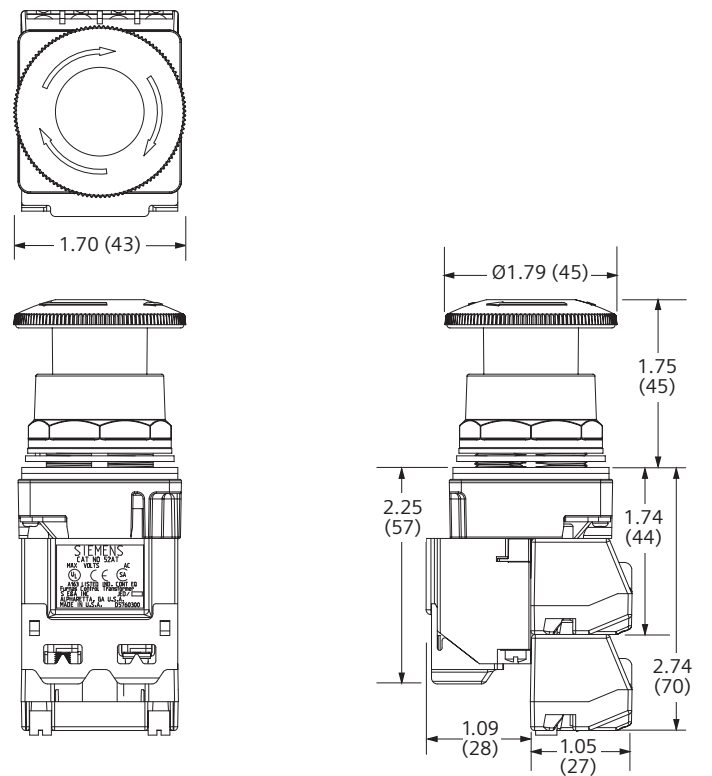
Pushbutton Device, Small Mushroom Head,
Integral LED, Lighting Module



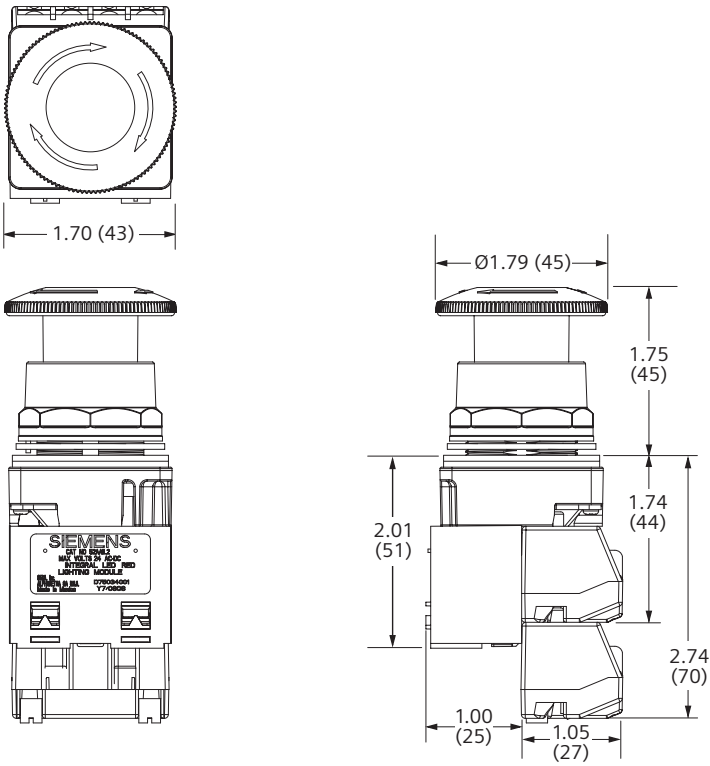
Non-Illuminated Pushbutton Device,
Small Mushroom Head



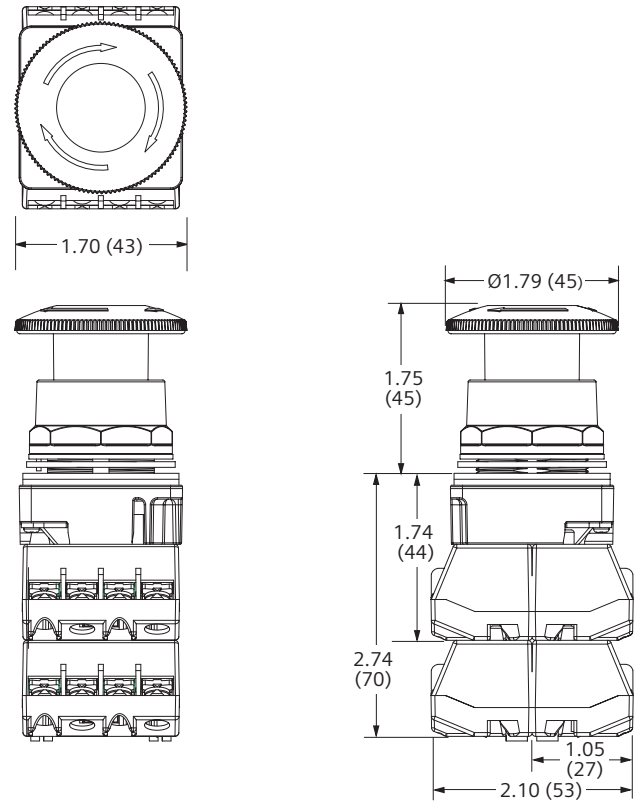
Pushbutton Device, Twist-Release,
Transformer or Full Voltage, Lighting Module



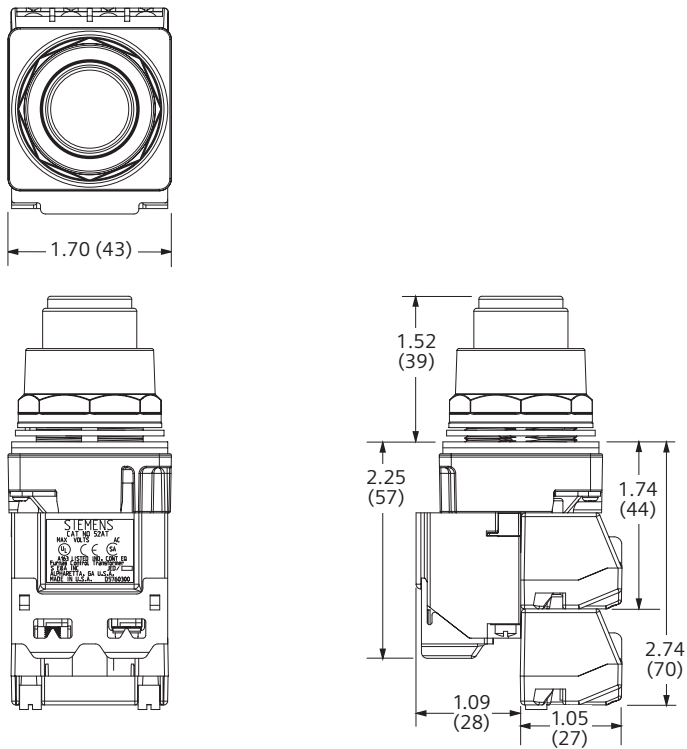
**Pushbutton Device Twist-Release
Integral LED Lighting Module**



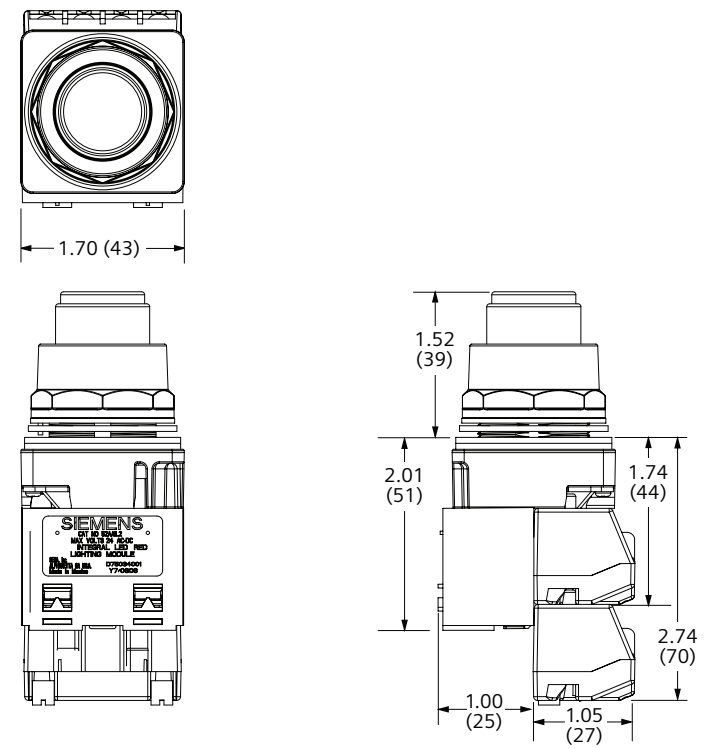
**Non-Illuminated Pushbutton Device
Twist-Release**



**Push-to-Test Illuminated Pushbutton
Transformer or Full Voltage Lighting Module**



**Push-to-Test Illuminated Pushbutton
Integral LED Lighting Module**



Additional Resources

Siselect On-line Product Selection & Resource Tool:
<http://siselect.sea.siemens.com>

Siemens Industrial Control Catalog:
<http://automation.usa.siemens.com/controls/icc/default.asp>

Distributor locator:
<http://www2.sea.siemens.com/sales/distribuor-locator.htm>

SE&A Controls main website:
<http://www2.sea.siemens.com/products/controls/>

Literature fulfilment
<https://freeflowweb.xdocs.com/branding/sea/?code=653170009>
(Order a Siemens Portal on a Disk - POAD)

Siemens USA: Best first point of contact / 1-800-241-4453 /
<http://www2.sea.siemens.com/support/contact+technial+service.htm>

Siemens Energy & Automation, Inc.
Industry Sector
3333 Old Milton Parkway
Alpharetta, GA 30005
1-800-964-4114

info.sea@siemens.com

www.sea.siemens.com/controls

Subject to change without prior notice
Order No.: GCSA-BM30M-0509 POD
Printed in USA
© 2009 Siemens Energy & Automation, Inc.

The information provided in this brochure contains merely general descriptions or characteristics of performance which in case of actual use do not always apply as described or which may change as a result of further development of the products. An obligation to provide the respective characteristics shall only exist if expressly agreed in the terms of contract.

All product designations may be trademarks or product names of Siemens AG or supplier companies whose use by third parties for their own purposes could violate the rights of the owners.